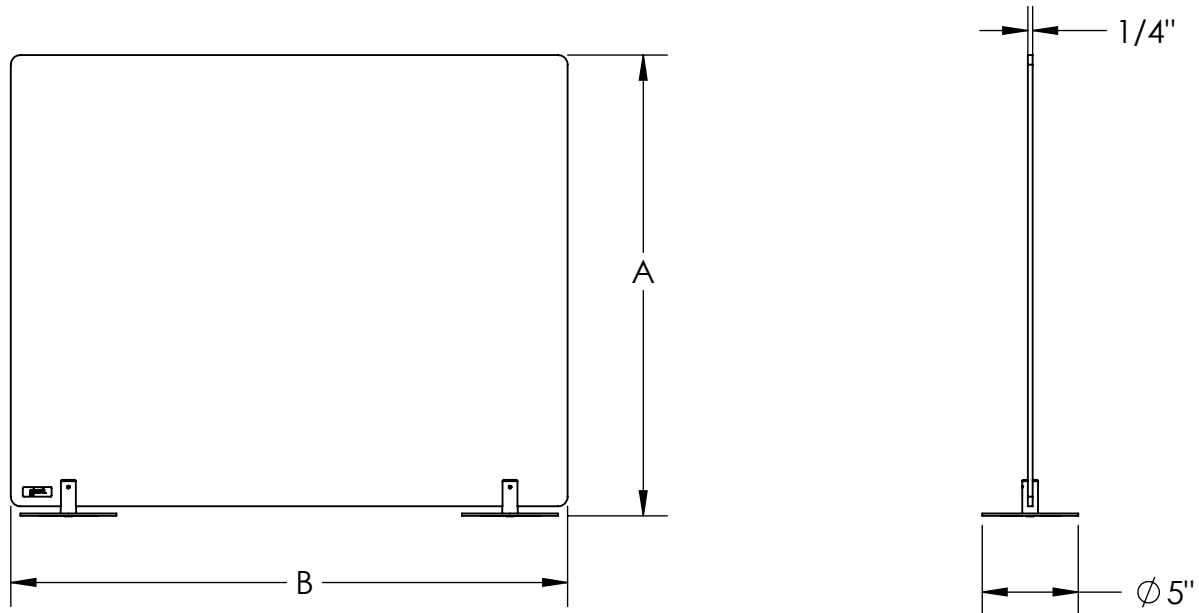


# Desktop Protective Screen / DPSXXXXX-F Freestanding Unit

Product Specifications



## Materials:

- Panel surface: 1/4" thick clear or frosted acrylic.
- Mounting feet: Stainless Steel.

## Features:

- Mounting feet can be positioned to accomodate obstructions on tabletops.
- VHB tape applied to underside of mounting feet available.
- Warranty 1 year.

## Notes:

- Customer to attach mounting feet, wrench provided.

Part Number	Panel Material	Panel Finish	A	B	Foot QTY.	Weight
DPSC2429-F	Acrylic	Clear	24"	29"	2	8 lbs.
DPSC2459-F	Acrylic	Clear	24"	59"	3	15 lbs.
DPSF2429-F	Acrylic	Frosted	24"	29"	2	8 lbs.
DPSF2459-F	Acrylic	Frosted	24"	59"	3	15 lbs.
DPSC2429-GF	Glass	Clear	24"	29"	2	10.5 lbs.
DPSC2459-GF	Glass	Clear	24"	59"	3	22 lbs.
DPSF2429-GF	Glass	Frosted	24"	29"	2	10.5 lbs.
DPSF2459-GF	Glass	Frosted	24"	59"	3	22 lbs.