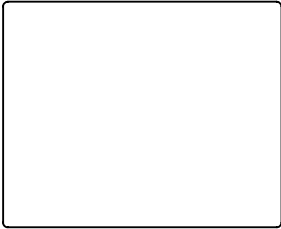
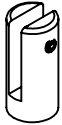
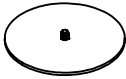
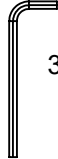


# Desktop Protective Screen / DPSXXXXX-F Freestanding Unit

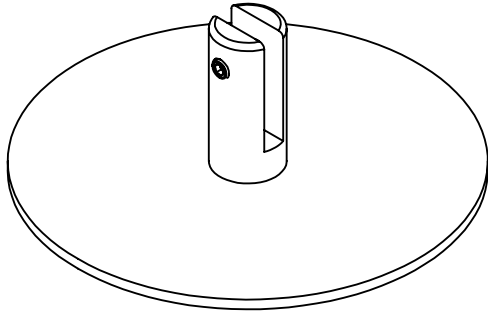
Installation Instructions



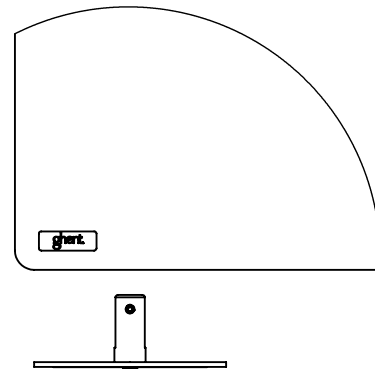
**Step 1:** Remove and unpack the Acrylic Panel, Feet, and Hardware.

|  |                         |   |   |  |                                    |   |                     |
|--|-------------------------|---|---|--|------------------------------------|---|---------------------|
|  | (1)<br>Acrylic<br>Panel |  | (2 for 29")<br>(3 for 59")<br>Standoffs |  | (2 for 29")<br>(3 for 59")<br>Feet |  | 3mm Allen<br>Wrench |
|--|-------------------------|---|---|--|------------------------------------|---|---------------------|

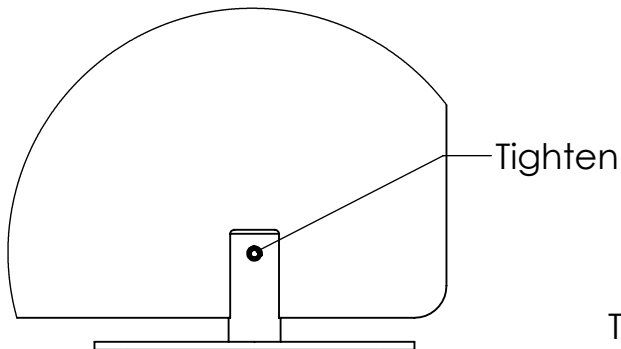
**Step 2:** Screw the panel brackets on to the feet.



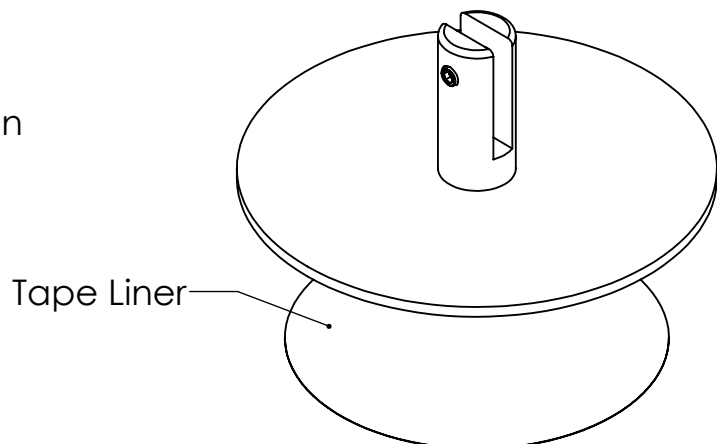
**Step 3:** Lay the Acrylic Panel onto a clean flat surface. Slide the feet unto the lower edge of the acrylic panel.



**Step 4:** Attach the feet to the acrylic panel by tightening the screw on the front of the bracket, wrench provided.



**Step 5:** For a secure mechanical attachment remove the lining from the tape on the bottom of the foot. Apply unit to table top surface with pressure to secure.



**Step 6:** Recycle all packaging in accordance to local regulations.