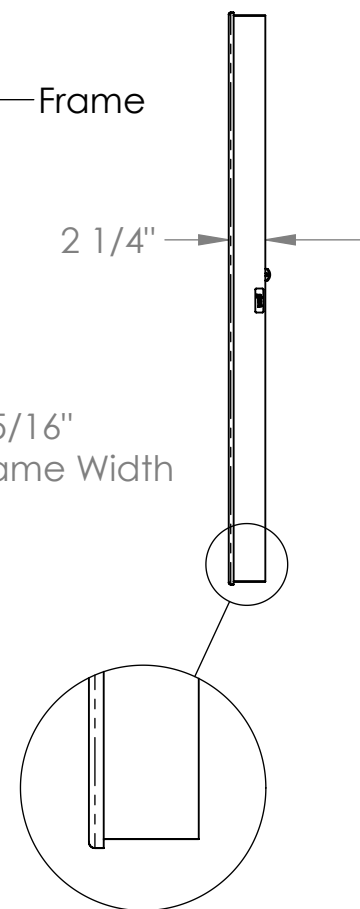
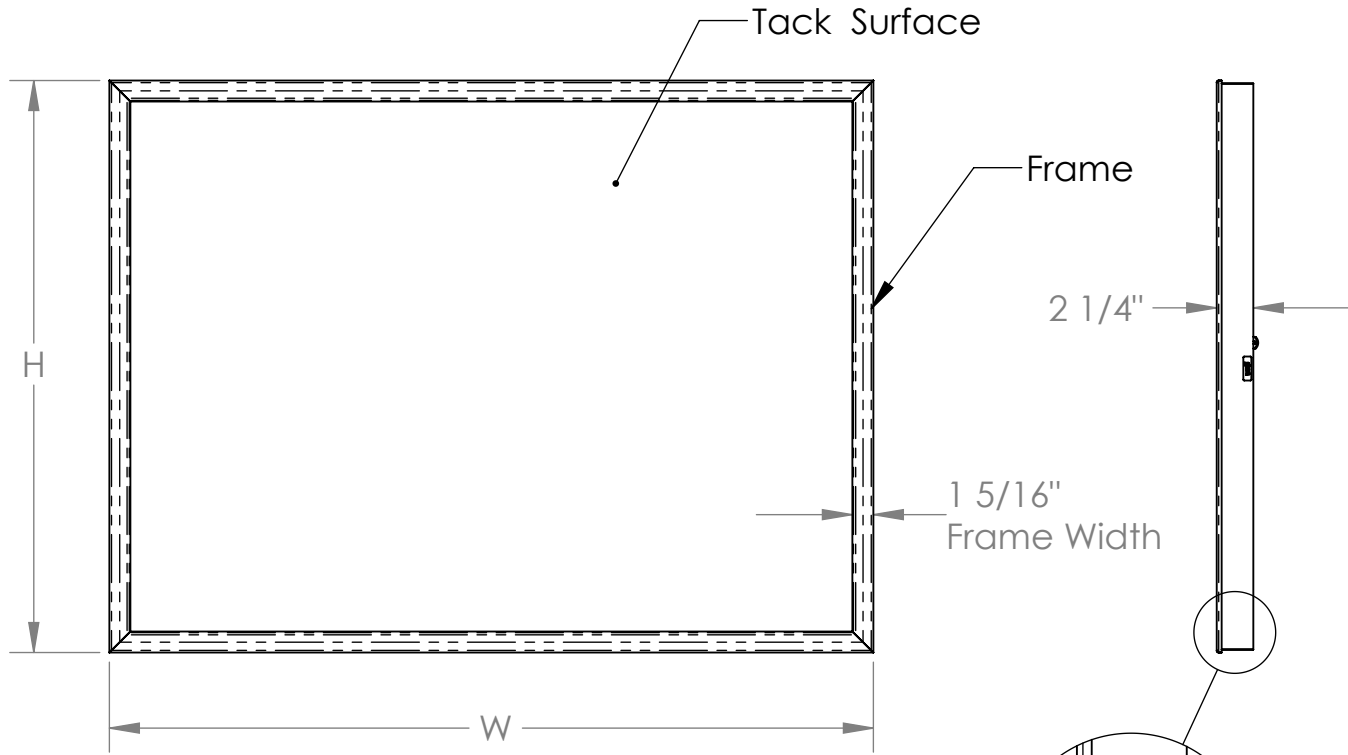


IMC (Bulletin Board) Series

Impression Classic
Premium Wood Framed Bulletin Boards



"Classic" Frame Profile

Nominal Size	H	W	Weight
2x3	22 7/8"	35 1/4"	7 lbs.
3x4	35 3/4"	47 3/4"	14 lbs.
4x4	47 3/4"	47 3/4"	18 lbs.
4x5	47 3/4"	59 3/4"	20 lbs.
4x6	47 3/4"	71 3/4"	27 lbs.
4x8	47 3/4"	95 3/4"	33lbs.

Materials:

- Framing: Beech
- Tack surface: Guilford of Maine fabric (beige, gray, blue, taupe, teal, red, or black), fine grain natural or chocolate cork laminated to 3/8" thick fiberboard.
Fabric thickness is 1/32".
Customer supplied fabric can also be used in the construction.

Features:

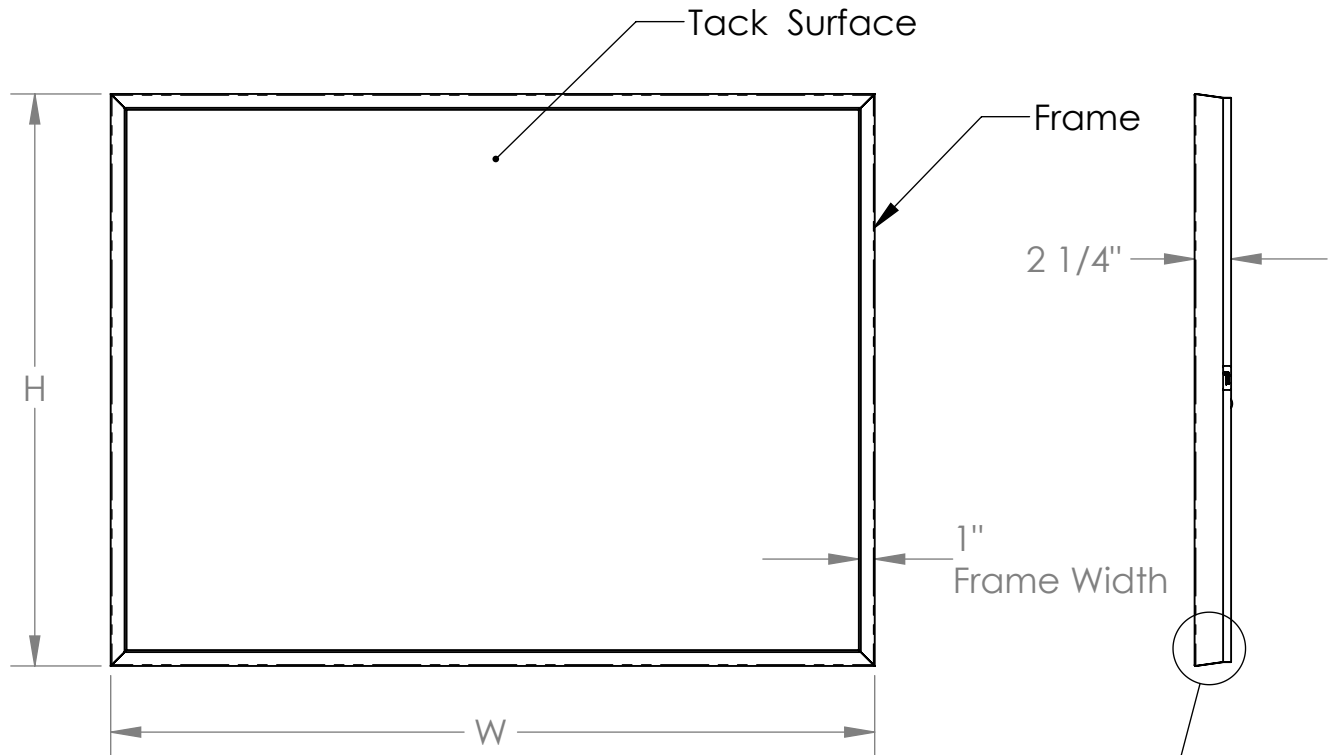
- Available in four frame finishes - cherry, espresso, maple, or walnut
- Board hangers are included.

Notes:

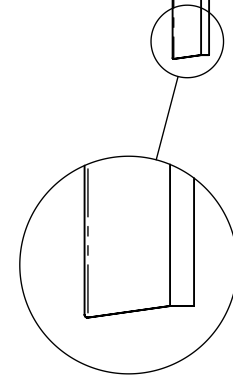
- Board is guaranteed 10 years.
- Wall mounting fasteners are not included.
- For indoor use only.

IMM (Bulletin Board) Series

Impression Modern
Premium Wood Framed Bulletin Boards



Nominal Size	H	W	Weight
2x3	22 7/8"	35 1/4"	8 lbs.
3x4	35 3/4"	47 3/4"	16 lbs.
4x4	47 3/4"	47 3/4"	22 lbs.
4x5	47 3/4"	59 3/4"	27 lbs.
4x6	47 3/4"	71 3/4"	32 lbs.
4x8	47 3/4"	95 3/4"	41 lbs.



"Modern" Frame Profile

Materials:

- Framing: Beech
- Tack surface: Guilford of Maine fabric (beige, gray, blue, taupe, teal, red, or black), fine grain natural or chocolate cork laminated to 3/8" thick fiberboard.
Fabric thickness is 1/32".
Customer supplied fabric can also be used in the construction.

Features:

- Available in four frame finishes - cherry, espresso, maple, or walnut
- Board hangers are included.

Notes:

- Board is guaranteed 10 years.
- Wall mounting fasteners are not included.
- For indoor use only.