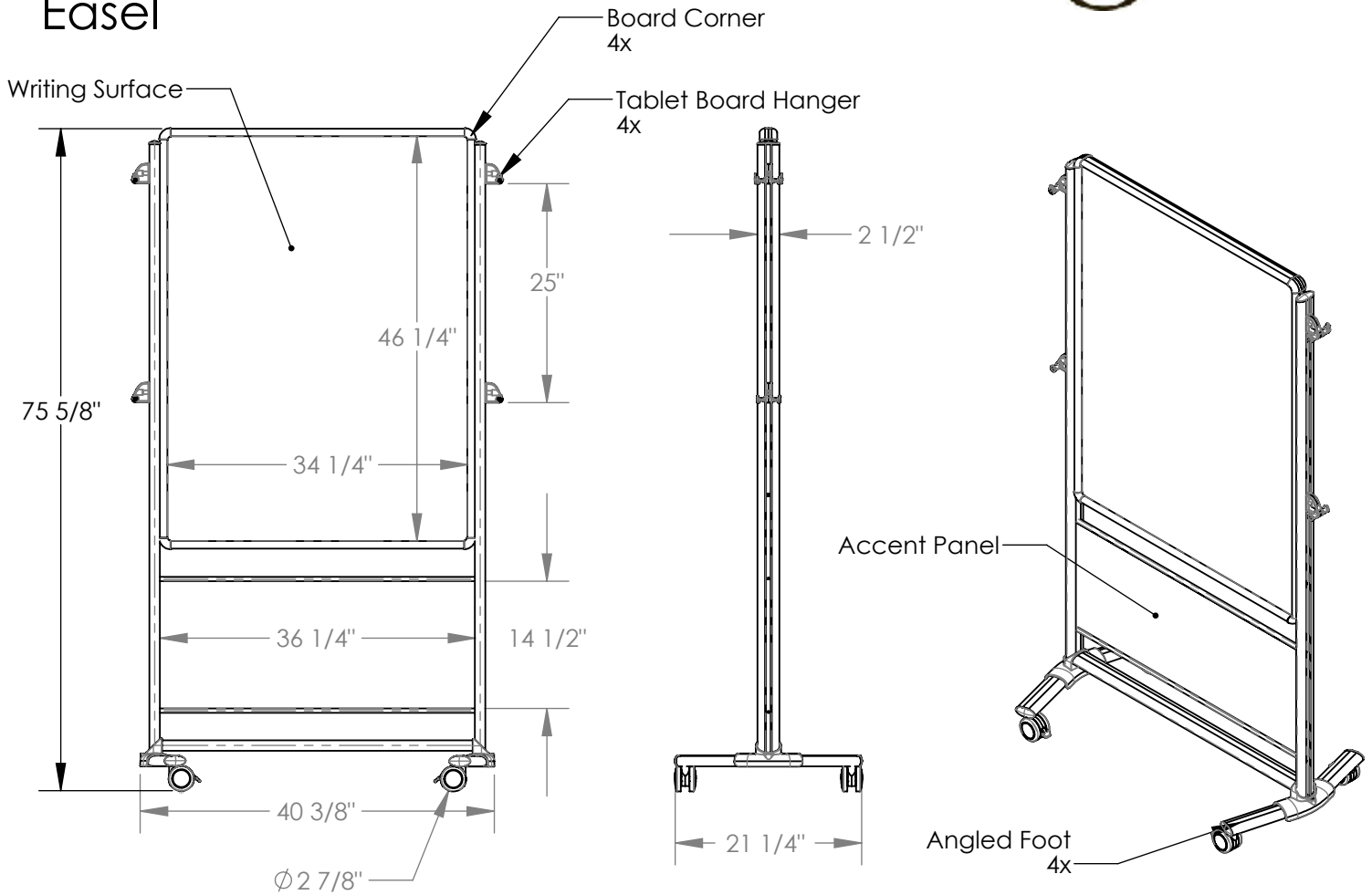


Easel



Materials:

- Framing: Satin anodized aluminum extrusion
- Foot Castings: Powder coated die cast aluminum
- Writing Surfaces: White porcelain coated 28 gauge steel sheet
- Board Corners, Rail Caps, Tablet Hangers, and Hanger Pegs: Gray thermoplastic
- Swivel Casters with Wheel Locks: Thermoplastic elastomer
- Magnetic Marker/Eraser Bin: Silver painted steel mesh weldment
- Accent Panels: Plastic

Features:

- Writing surface on front and back.
- Has angled feet for grouping with other Nexus easels and/or IdeaWalls
- Includes 1 eraser and 4 assorted color dry erase markers.
- Designed to accommodate 4 Nexus Tablets - hung from the side posts.
- Guaranteed for 10 years

Notes:

- Some assembly required
- Related Products: Nexus X-Pegs, Nexus X-Hangers, Nexus Caddy, Nexus Tablet, Nexus IdeaWall, and Nexus Easel Plus