

NEXUS

Simplifying Group Communication





Promote Collaboration and Ideas with Nexus

Nexus creates a culture that supports collaboration, allowing you to share and build knowledge while empowering individuals within the small group dynamic. Starting with the intuitive and ultra-portable Tablet whiteboards, you can coordinate your thoughts, interact with others, contribute to the discussion, and communicate with the team – working the way you want – via design features that connect Nexus products together for flexible “we” spaces that enable both informal discussion and larger group presentations.



Collaborative

Support collaboration and idea-sharing with removable tablets and mobiles alike.

Mobile

Mobile double-sided magnetic whiteboards allow the user to configure their work space as needed without a permanent structure.



Integrated

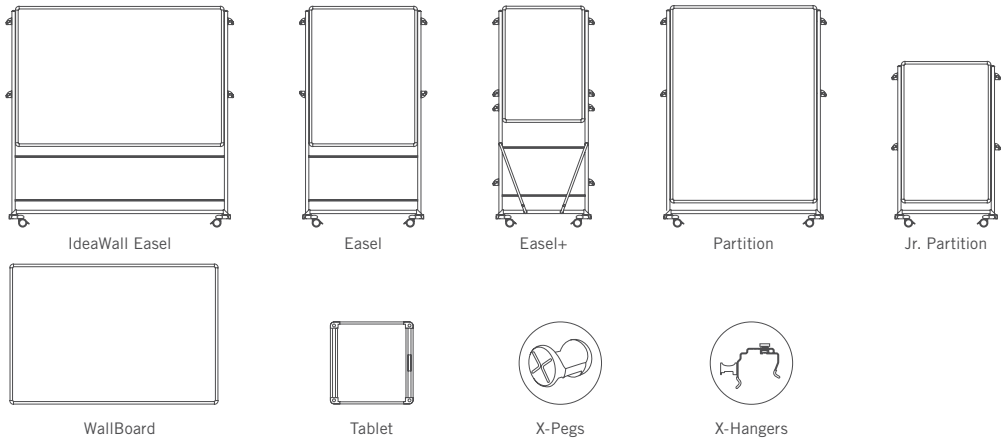
Nexus was designed to be used together. X-Pegs and X-Hangers add additional functionality.

Versatile

Adaptable and flexible design allows the user to configure and reconfigure as needed.

Nexus

Statement of Line



Features

- Porcelain writing surface on Partitions, Easels, and WallBoard
- Magnetic writing surfaces resist staining and ghosting
- Aluminum framing offers a sleek finish to match interiors
- Durable casters move easily from tile to carpet
- Integrated marker storage
- Global Educator Institute endorsed for use in classrooms
- 10-year warranty
- Jr. Partition is ADA Compliant



Options

- X-Pegs: allows Tablet to be hung on walls independently
- X-Hangers: allow for Tablet to be hung on panels and adjust to fit accordingly
- Custom graphics and logos available
- Fabric panels available on Partitions and Jr. Partitions
- Available Sizes:
 - WallBoard: 3' x 4', 4' x 6'
 - IdeaWall Easel: 46" x 70" writing surface; 76" x 76" x 25" overall
 - Easel: 46" x 34" writing surface; 79" x 40" x 25" overall
 - Easel+: 38" x 26" writing surface; 76" x 32" x 25" overall
 - Partition: 6' x 4' writing or fabric surface; 76" x 52" x 25" overall
 - Jr. Partition: 4' x 3' writing or fabric surface; 57" x 40" x 25" overall
 - Tablet: 28" x 28"

Fabric Options:

