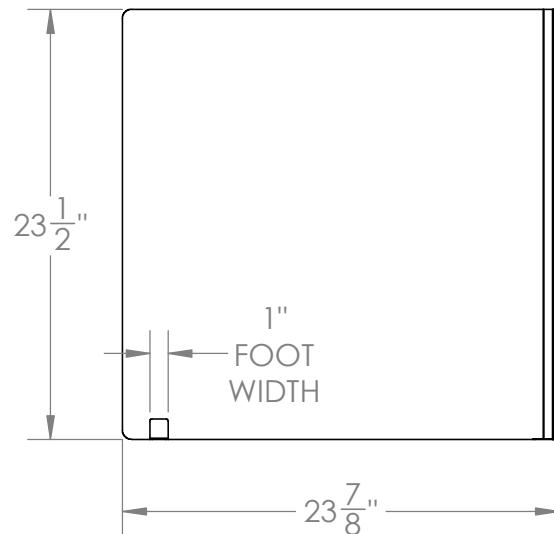
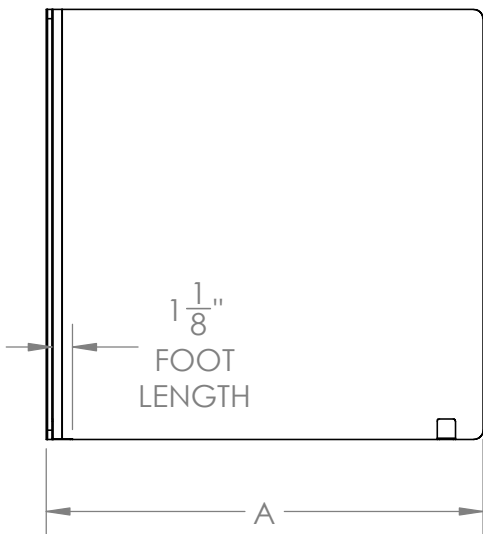
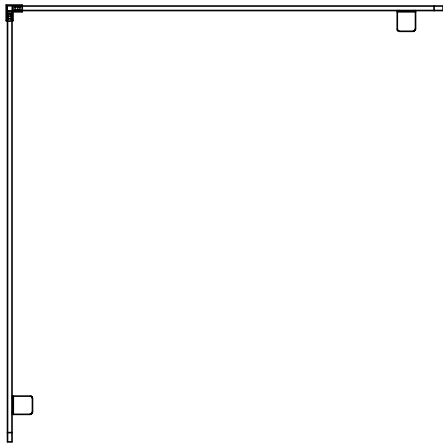


Desktop Protective Screen / DPSCXXXX-2S 2-Sided Unit

Product Specifications



Materials:

- Panel surface: 1/4" thick clear thermoplastic.
- Mounting feet: Stainless Steel.
- Angle connector: Clear thermoplastic.

Features:

- Mounting feet can be positioned to accomodate obstructions on tabletops.
- Warranty 1 year.

Notes:

- Customer to attach mounting feet, double-sided tape is provided.

Part Number	Panel Material	Panel Finish	A	Foot QTY.	Weight
DPSC2424-2S	Thermoplastic	Clear	23-7/8"	2	11.5 lbs.