

Pointe / PNTXXXX

Disassembly Instructions and Recycling

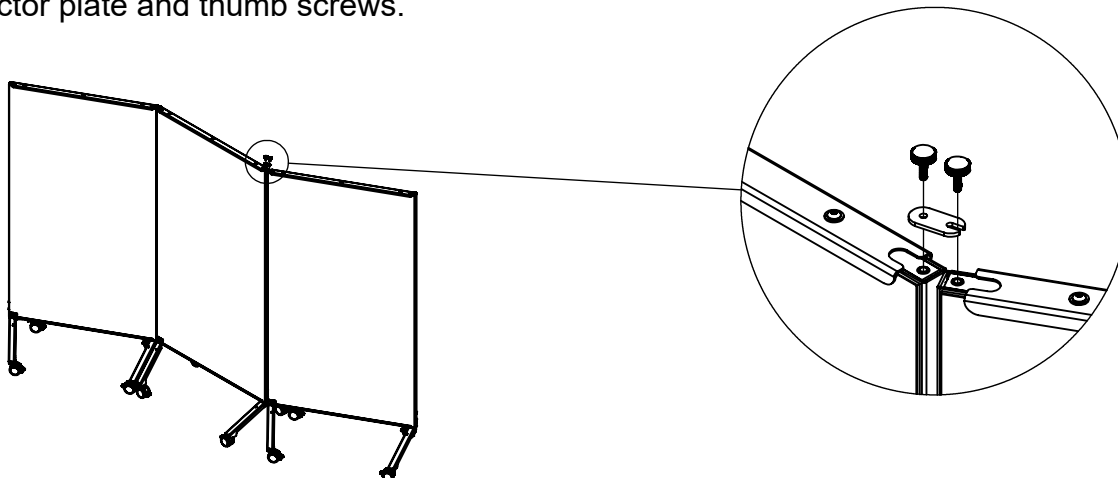


Required Tools, Time, and Personnel:

- 1/8" Allen wrench
- 5/32" Allen wrench
- 1/2" Open end wrench
- (Optional) Putty knife
- Safety Glasses
- Work gloves

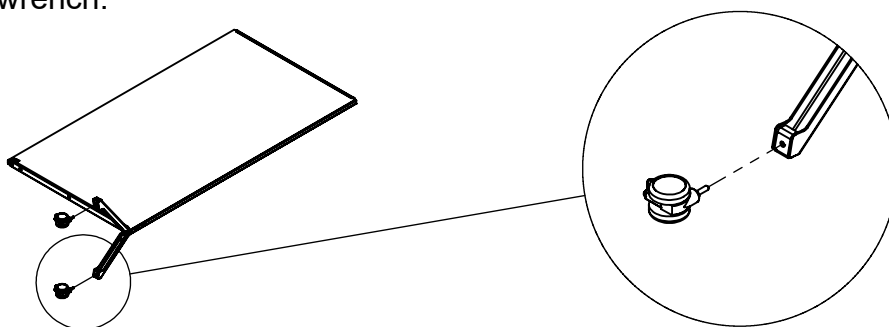
Disassembly time estimated to take 15 minutes.
Two person minimum for safe operation.

Step 1: (Optional) If multiple Pointe units are connected to form a partition, remove the connector plate and thumb screws.

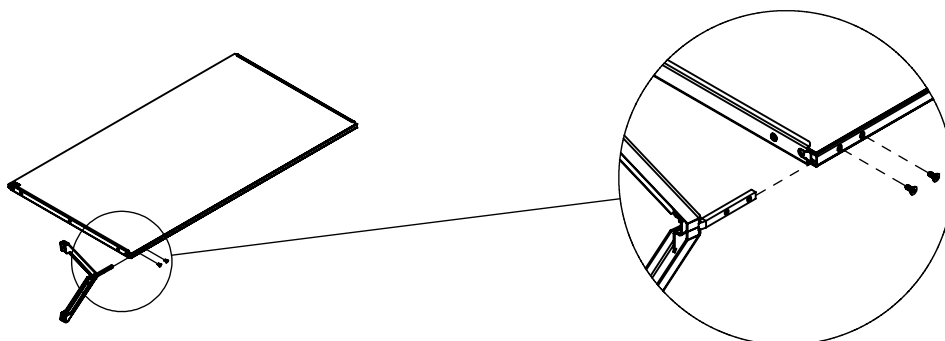


Step 2: Lay the Panel on a flat surface.

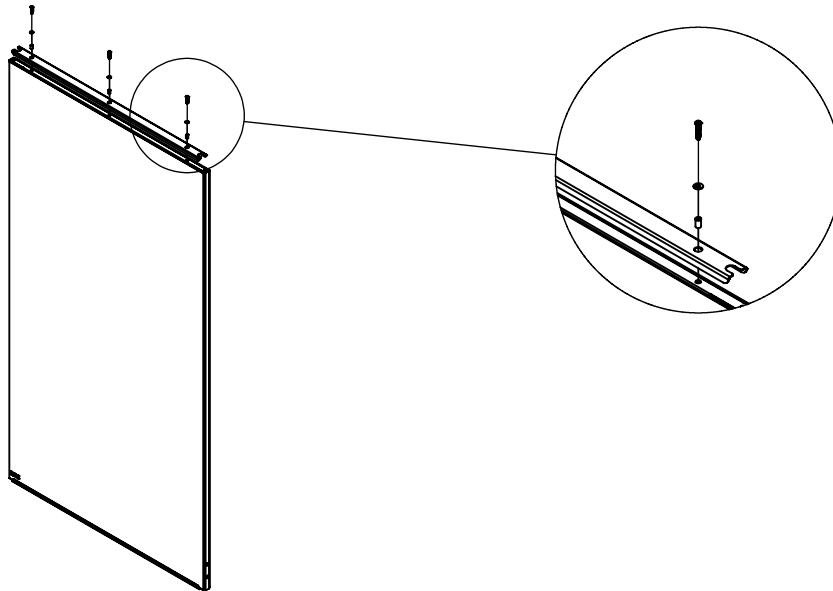
Step 3: Remove the casters from the bottom of the feet using a 1/2" open end wrench.



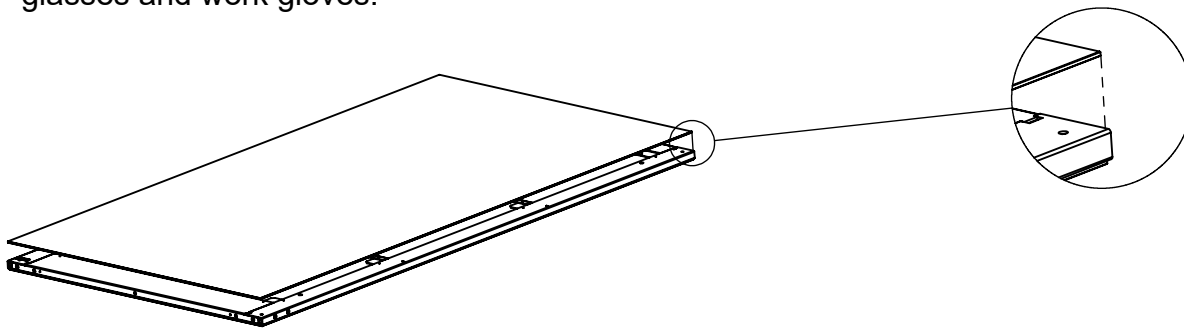
Step 4: Remove the side mounted feet using a 5/32" Allen wrench.



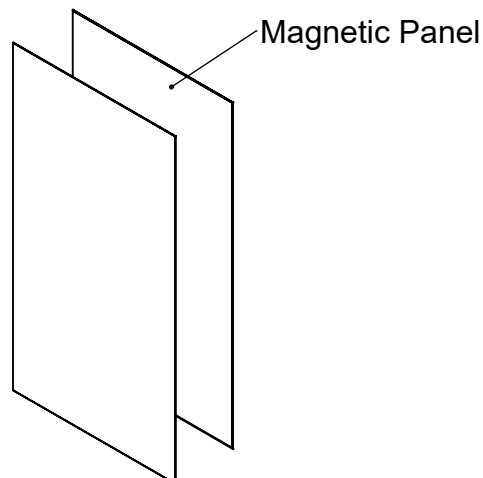
Step 5: Remove the top and bottom caps on the frame with a 1/8" Allen wrench.



Step 6: Use Putty knife to separate front and back glass from frame, wear safety glasses and work gloves.



Step 7: (Optional) If the glassboard has a rear magnetic panel pry one corner away from the glass using a putty knife. Continue to separate the magnetic panel from the glassboard until fully separated.



Recycling Guidelines:

- Steel and Aluminum - Common metals can be recycled at local scrap yards and nearly all recycling centers.
- Tempered glass - Tempered glass can be recycled through an annealing process, however this is often cost prohibitive. If you are not in an area with a tempered glass recycling facility please consult local construction companies to see if they accept tempered glass for use in large volume construction applications such as roadways.
- Miscellaneous Accessories - consult local guidelines to determine if you are able to recycle composite plastics at your recycling centers.

