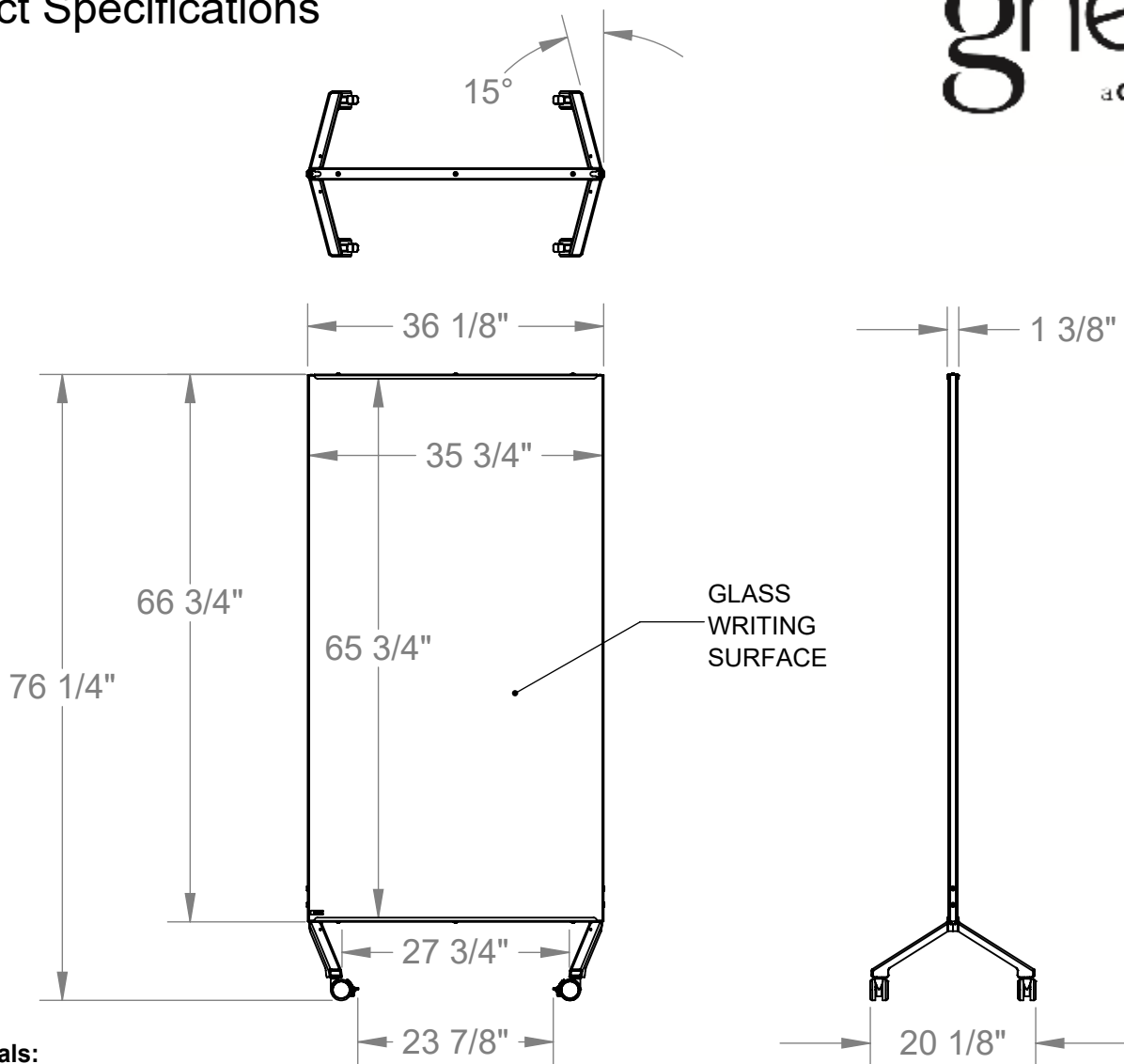


Pointe Mobile Glass Whiteboard / PNT1

Product Specifications



Materials:

- Board Surface: 1/8" thick, tempered low iron glass.
- Frame: Powder coated steel.

Features:

- Available in magnetic and non-magnetic.
- Available in standard and custom colors using water based paint.
- Optional artwork available in standard and custom designs, logo application is available.
- Available in 4 standard frame colors: Matte Black, Jungle Green, Silver, and Sky Blue.
- Includes magnetic eraser, 4 assorted color markers and marker holder; magnetic boards include 4 rare earth magnets. Provided with connector kit to create a partition wall. 4 locking casters provided.
- Conforms to ANSI/BIFMA e3-2019 Furniture Sustainability Standard for LEVEL® 2 certification.
- Board is guaranteed for 10 years.

Notes:

- Indoor use only.
- Some assembly required.

