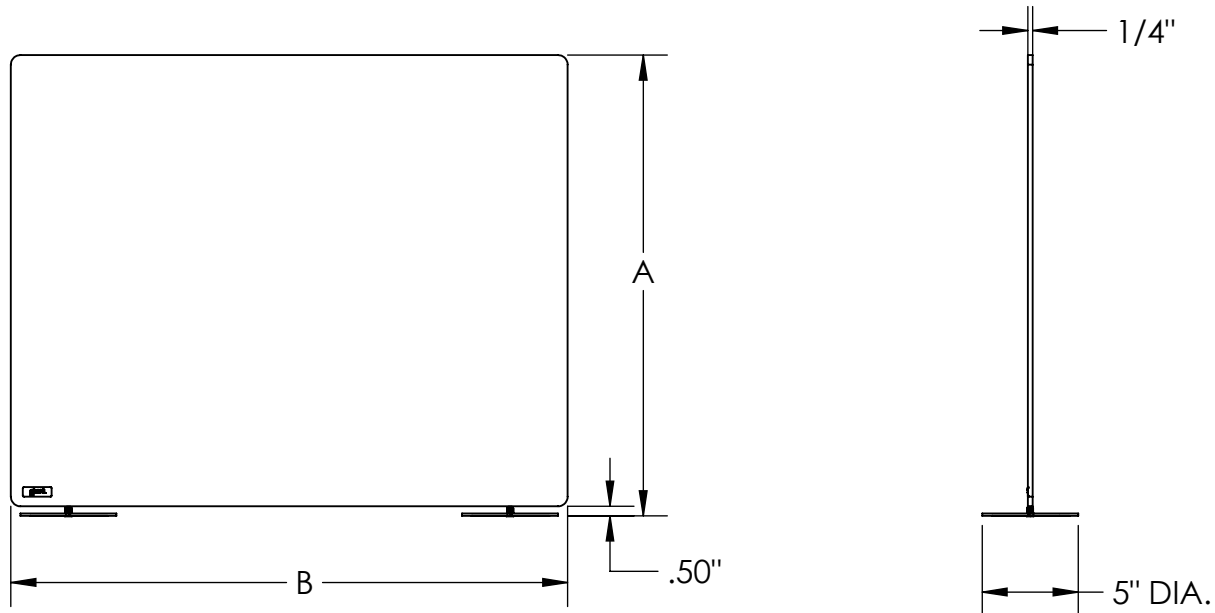


Desktop Protective Screen / DPSXXXXX-F Freestanding Unit

Product Specifications



Materials:

- Panel surface: Clear thermoplastic, frosted thermoplastic or clear glass.
- Mounting feet: Stainless Steel.

Features:

- Mounting feet can be positioned to accommodate obstructions on tabletops.
- VHB tape applied to underside of mounting feet.
- Clear thermoplastic conforms to 2020 International Building Code section 2606.4 for combustibility classification CC2, smoke density <75, and self ignition temperature >650°F
- Glass is tempered per ANSI Z97.1
- Warranty 1 year.

Notes:

- Customer to attach mounting feet, wrench provided.

Desktop Protective Screen / DPSXXXXX-F Freestanding Unit

Product Specifications



Part Number	Panel Material	Panel Finish	A	B	Foot QTY.	Weight
DPSC2424-F	Thermoplastic	Clear	24"	23-1/2"	2	6.8 lbs.
DPSC2429-F	Thermoplastic	Clear	24"	29"	2	8 lbs.
DPSC2436-F	Thermoplastic	Clear	24"	36"	2	9.7 lbs.
DPSC2442-F	Thermoplastic	Clear	24"	42"	2	11.1 lbs.
DPSC2448-F	Thermoplastic	Clear	24"	47-1/2"	3	13.1 lbs.
DPSC2459-F	Thermoplastic	Clear	24"	59"	3	15 lbs.
DPSF2424-F	Thermoplastic	Frosted	24"	23-1/2"	2	6.8 lbs.
DPSF2429-F	Thermoplastic	Frosted	24"	29"	2	8 lbs.
DPSF2436-F	Thermoplastic	Frosted	24"	36"	2	9.7 lbs.
DPSF2442-F	Thermoplastic	Frosted	24"	42"	2	11.1 lbs.
DPSF2448-F	Thermoplastic	Frosted	24"	47-1/2"	3	13.1 lbs.
DPSF2459-F	Thermoplastic	Frosted	24"	59"	3	15 lbs.
DPSC2429-GF	Glass	Clear	24"	29"	2	10.5 lbs.
DPSC2459-GF	Glass	Clear	24"	59"	3	22 lbs.