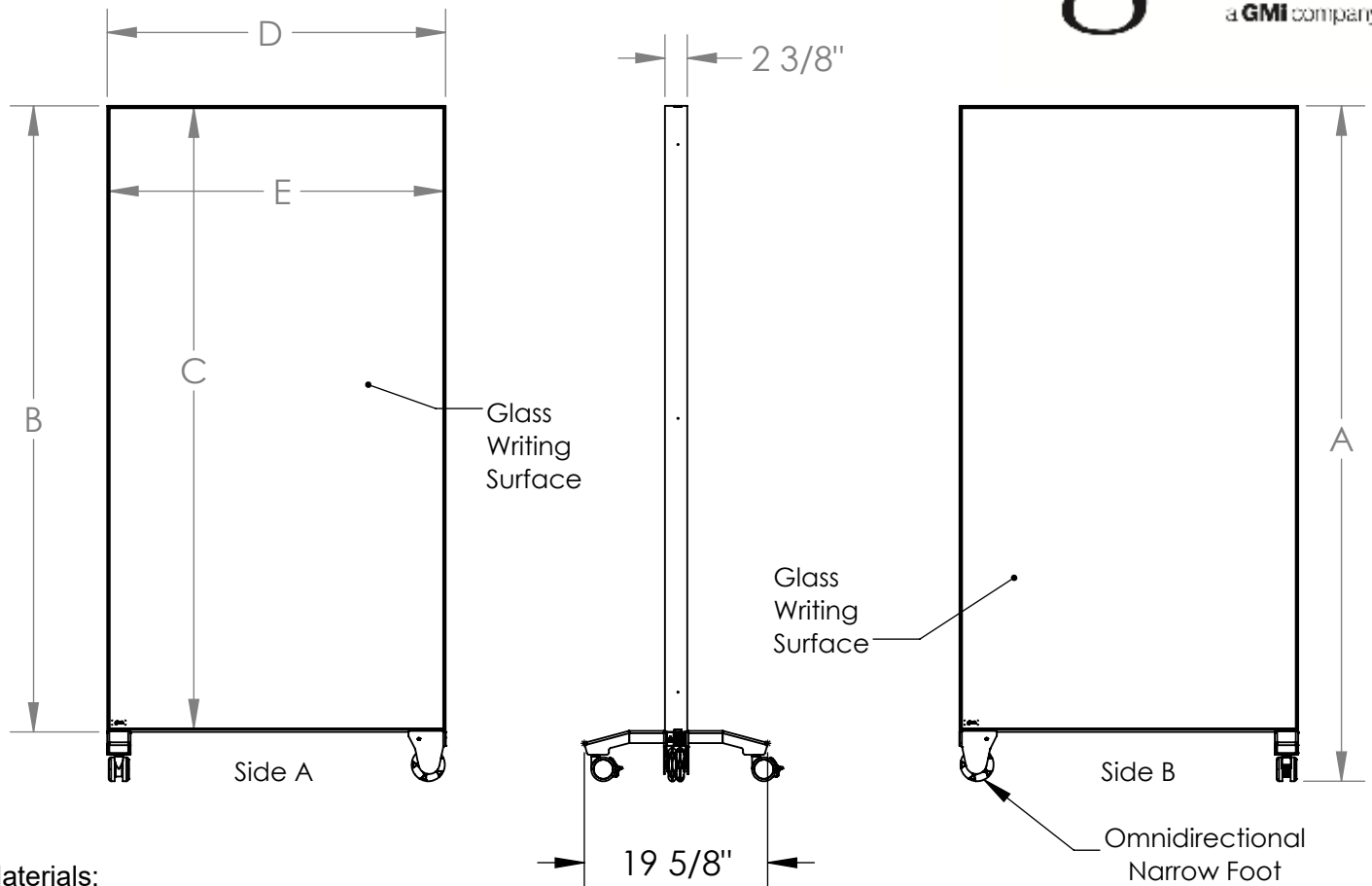


# Stroll T-Base Glass Partition / STG1

## Product Specifications



### Materials:

- Board Surface: 1/8" thick, tempered low iron glass
- Frame: Powder coated steel frame with anodized aluminum finish

### Features:

- Available in magnetic and non-magnetic
- Available in 3 sizes: 72x36, 54x36, 54x60
- The Omnidirectional narrow foot allows flat or angled partitioning even in hard to reach locations.
- Available in 18 standard glass colors: Blue, Beige, Black, Cactus, Denim, Green, Grape, Gray, Jade, Lilac Gray, Marigold, Petal, Peach, Rose, Smoke, Terra, White, and Yellow. Custom colors and logo printing are available.
- Includes magnetic eraser and 4 assorted color magnetic markers, and a Connector for use with the Omnidirectional narrow foot; magnetic boards include 4 rare earth magnets.
- Board is guaranteed for 10 years

### Notes:

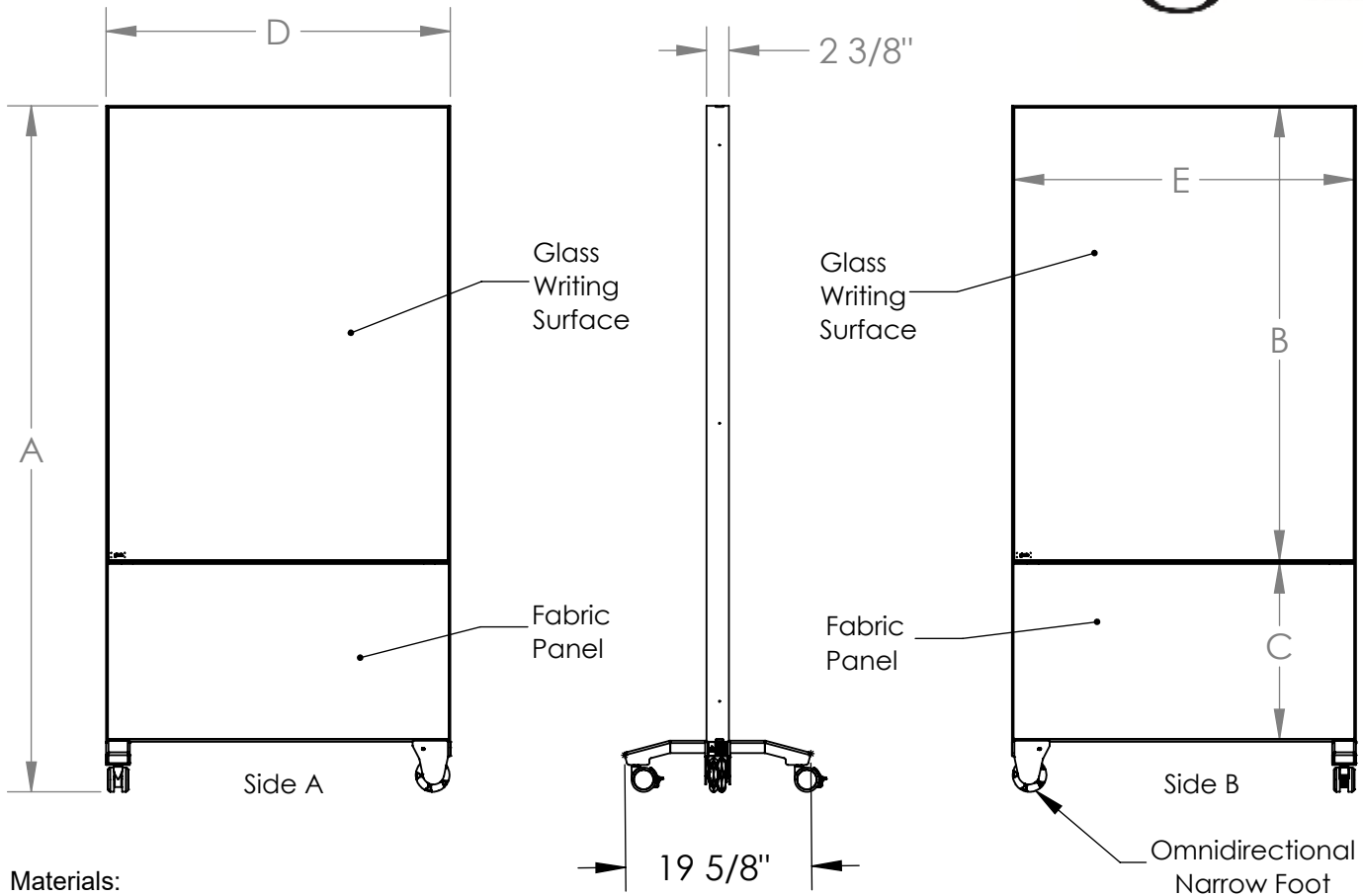
- Intended for use only when Stroll T-Base is docked in Connector.
- Indoor use only
- Ships fully assembled on individual skid

Part Number	A	B	C	D	E	Weight non-mag/mag
STG1x5436TSILxx	53-5/8"	48-3/8"	47-3/4"	36-1/4"	35-3/4"	114 lbs. / 137 lbs.
STG1x5460TSILxx	53-5/8"	48-3/8"	47-3/4"	60"	59-7/8"	168 lbs. / 207 lbs.
STG1x7236TSILxx	72-3/8"	67"	66-1/2"	36-1/4"	35-3/4"	146 lbs. / 178 lbs.

X = Place holder for variable information

# Stroll T-Base Glass Partition / STG2

## Product Specifications



**Materials:**

- Board Surface: 1/8" thick, tempered low iron glass
- Frame: Powder coated steel frame with anodized aluminum finish
- Fabric: Maharam Flock fabric 100% polyester, acoustically rated at 0.80 NRC

**Features:**

- Available in magnetic and non-magnetic
- Available in 3 sizes: 72x36, 54x36, 54x60
- The Omnidirectional narrow foot allows flat or angled partitioning even in hard to reach locations.
- Available in 18 standard glass colors: Blue, Beige, Black, Cactus, Denim, Green, Grape, Gray, Jade, Lilac Gray, Marigold, Petal, Peach, Rose, Smoke, Terra, White, and Yellow. Custom colors and logo printing are available.
- Available in 21 standard fabric colors: Aluminum, Calm, Highlight, Highsea, Quag, Rave, Roe, Alert, Hedera, Mudder, Nectarine, Ripple, Sunflower, Trickle, Bonsai, Carotene, Intaglio, Jetty, Oxeye, Petal, and Valley. Custom fabrics available.
- Includes magnetic eraser and 4 assorted color magnetic markers, and a Connector for use with the Omnidirectional narrow foot; magnetic boards include 4 rare earth magnets.
- Board is guaranteed for 10 years

**Notes:**

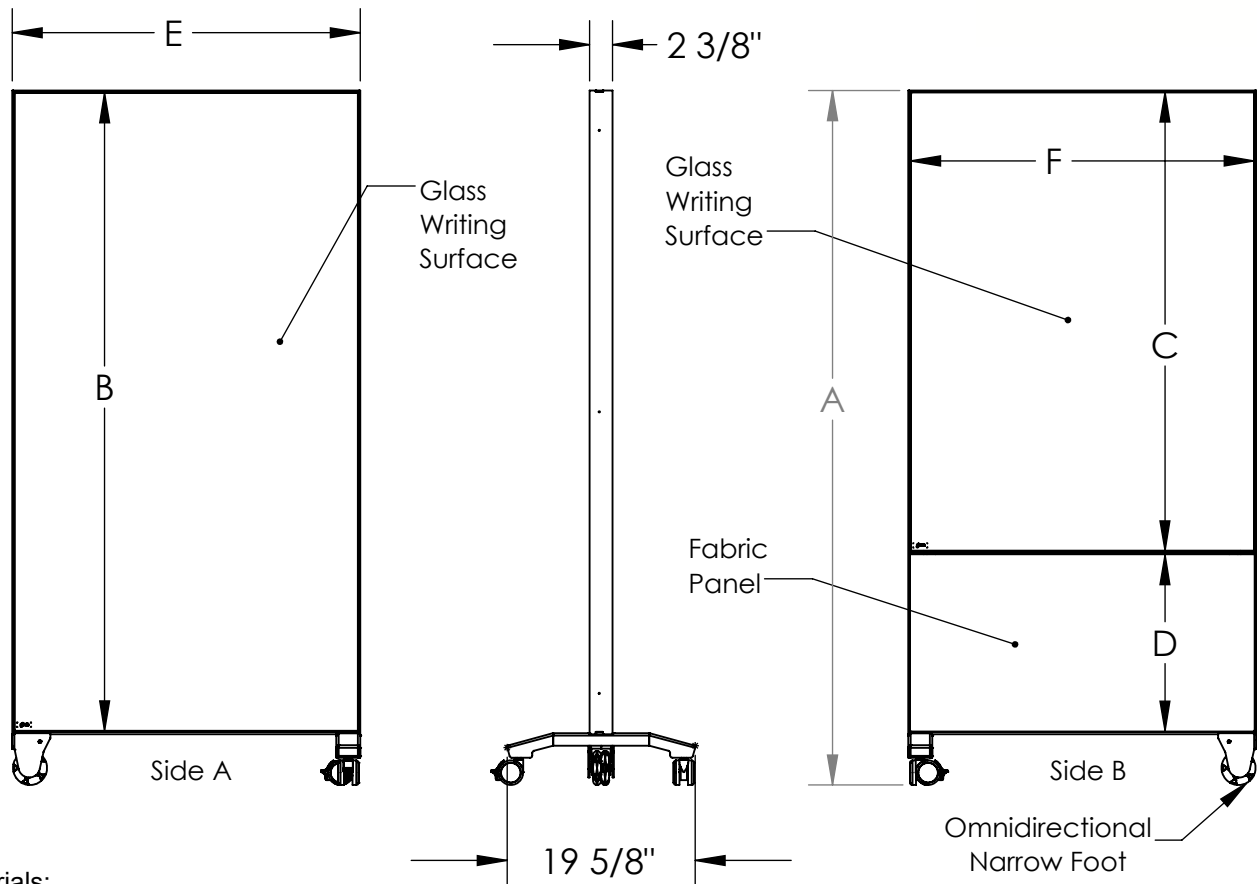
- Intended for use only when Stroll T-Base is docked in Connector.
- Indoor use only
- Ships fully assembled on individual skid

Part Number	A	B	C	D	E	Weight non-mag/mag
STG2x5436SILxx	53-5/8"	29-1/8"	18-3/8"	36-1/4"	35-3/4"	109 lbs. / 118 lbs.
STG2x5460SILxx	53-5/8"	29-1/8"	18-3/8"	60-1/4"	59-7/8"	160 lbs. / 183 lbs.
STG2x7236SILxx	72-3/8"	47-3/4"	18-3/8"	36-1/4"	35-3/4"	140 lbs. / 164 lbs.

X = Place holder for variable information

# Stroll T-Base Glass Partition / STG3

Product Specifications



**Materials:**

- Board Surface: 1/8" thick, tempered low iron glass
- Frame: Powder coated steel frame with anodized aluminum finish
- Fabric: Maharam Flock fabric 100% polyester, acoustically rated at 0.80 NRC

**Features:**

- Available in magnetic and non-magnetic
- Available in 3 sizes: 72x36, 54x36, 54x60
- The Omnidirectional narrow foot allows flat or angled partitioning even in hard to reach locations.
- Available in 18 standard glass colors: Blue, Beige, Black, Cactus, Denim, Green, Grape, Gray, Jade, Lilac Gray, Marigold, Petal, Peach, Rose, Smoke, Terra, White, and Yellow. Custom colors and logo printing are available.
- Available in 21 standard fabric colors: Aluminum, Calm, Highlight, Highsea, Quag, Rave, Roe, Alert, Hedera, Mudder, Nectarine, Ripple, Sunflower, Trickle, Bonsai, Carotene, Intaglio, Jetty, Oxeye, Petal, and Valley. Custom fabrics available.
- Includes magnetic eraser and 4 assorted color magnetic markers, and a Connector for use with the Omnidirectional narrow foot; magnetic boards include 4 rare earth magnets.
- Board is guaranteed for 10 years

**Notes:**

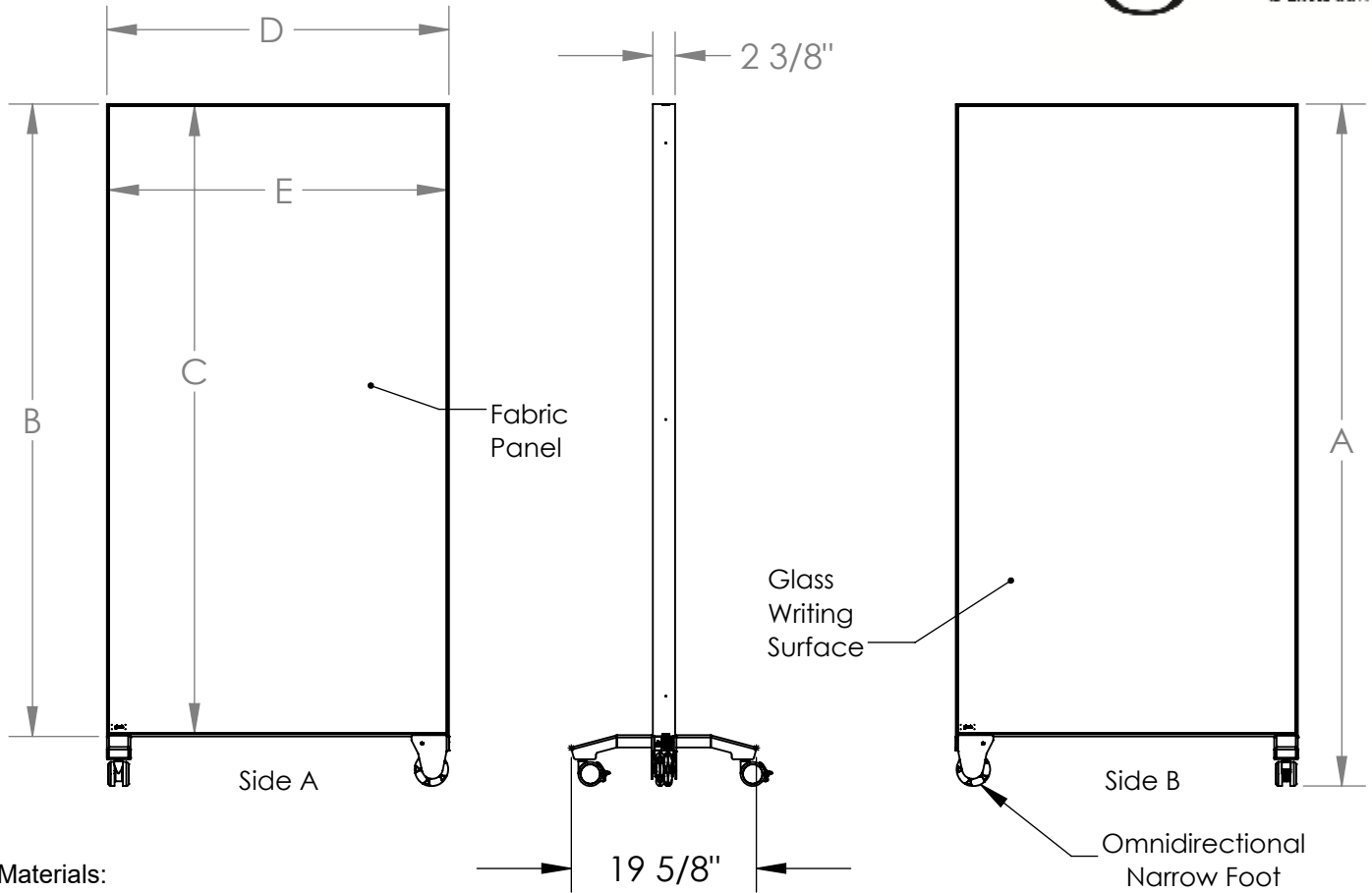
- Intended for use only when Stroll T-Base is docked in Connector.
- Indoor use only
- Ships fully assembled on individual skid

Part Number	A	B	C	D	E	Weight non-mag/mag
STG3x5436SILxx	53-5/8"	29-1/8"	18-3/8"	36-1/4"	35-3/4"	111 lbs. / 127 lbs.
STG3x5460SILxx	53-5/8"	29-1/8"	18-3/8"	60-1/4"	59-7/8"	164 lbs. / 195 lbs.
STG3x7236SILxx	72-3/8"	47-3/4"	18-3/8"	36-1/4"	35-3/4"	138 lbs. / 170 lbs.

X = Place holder for variable information

# Stroll T-Base Glass Partition / STG4

## Product Specifications



### Materials:

- Board Surface: 1/8" thick, tempered low iron glass
- Frame: Powder coated steel frame with anodized aluminum finish
- Fabric: Maharam Flock fabric 100% polyester, acoustically rated at 0.80 NRC

### Features:

- Available in magnetic and non-magnetic
- Available in 3 sizes: 72x36, 54x36, 54x60
- The Omnidirectional narrow foot allows flat or angled partitioning even in hard to reach locations.
- Available in 18 standard glass colors: Blue, Beige, Black, Cactus, Denim, Green, Grape, Gray, Jade, Lilac Gray, Marigold, Petal, Peach, Rose, Smoke, Terra, White, and Yellow. Custom colors and logo printing are available.
- Available in 21 standard fabric colors: Aluminum, Calm, Highlight, Highsea, Quag, Rave, Roe, Alert, Hedera, Mudder, Nectarine, Ripple, Sunflower, Trickle, Bonsai, Carotene, Intaglio, Jetty, Oxeye, Petal, and Valley. Custom fabrics available.
- Includes magnetic eraser and 4 assorted color magnetic markers, and a Connector for use with the Omnidirectional narrow foot; magnetic boards include 4 rare earth magnets.
- Board is guaranteed for 10 years

### Notes:

- Intended for use only when Stroll T-Base is docked in Connector.
- Indoor use only
- Ships fully assembled on individual skid

Part Number	A	B	C	D	E	Weight non-mag/mag
STG4x5436SILxx	53-5/8"	29-1/8"	18-3/8"	36-1/4"	35-3/4"	95 lbs. / 106 lbs.
STG4x5460SILxx	53-5/8"	29-1/8"	18-3/8"	60-1/4"	59-7/8"	126 lbs. / 145 lbs.
STG4x7236SILxx	72-3/8"	47-3/4"	18-3/8"	36-1/4"	35-3/4"	113 lbs. / 129 lbs.

X = Place holder for variable information