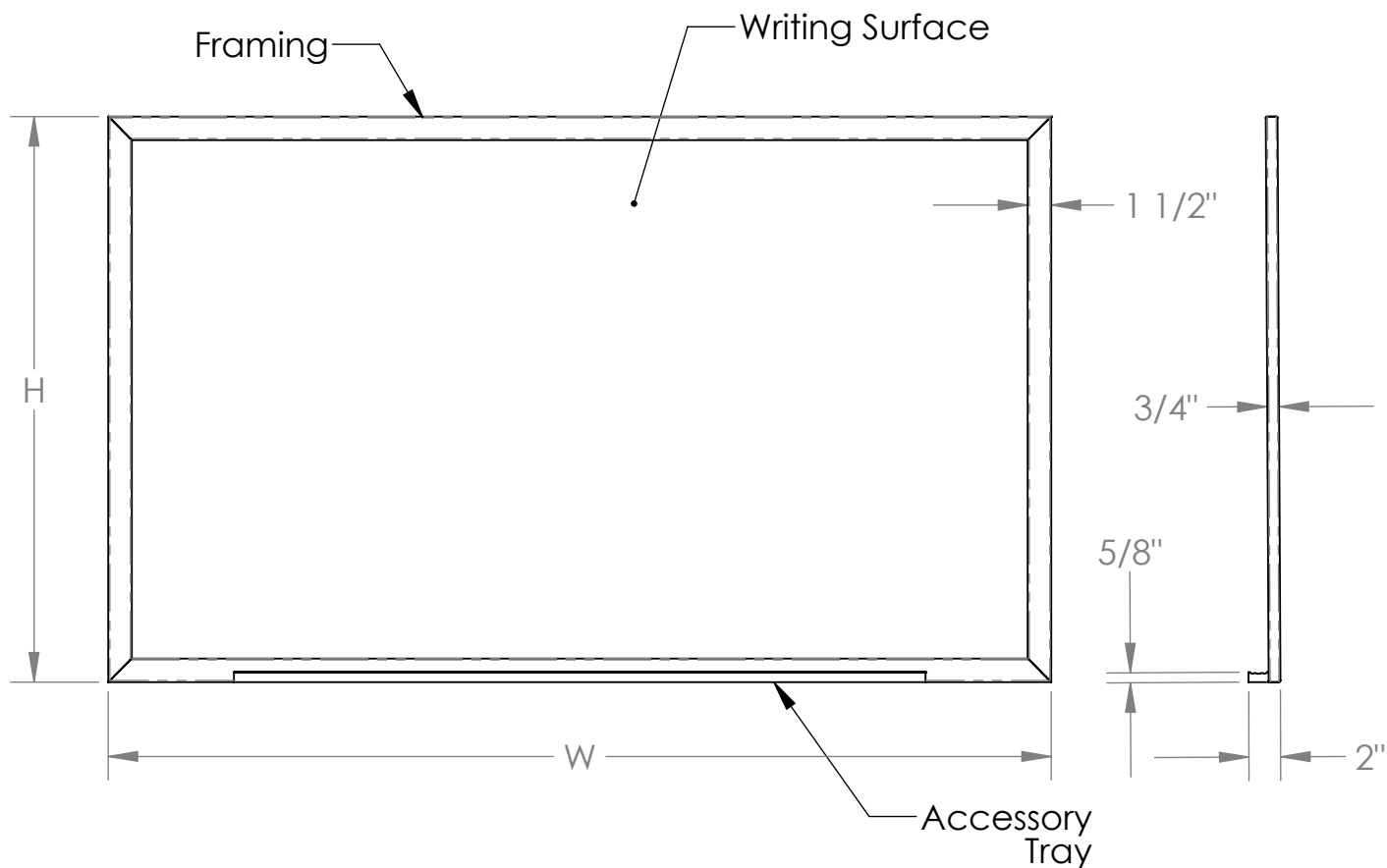


M2W Series

ghent.

Wood Framed Acrylate Whiteboards



Materials:

- The board framing is clear coated solid red oak.
- The writing surface is acrylate applied to 1/8" thick hardboard

Features:

- Board hangers are included.
- The board is guaranteed for 10 years.
- Available in (8) sizes: 18"H x 24"W, 2'H x 3'W, 3'H x 4'W, 3'H x 5'W, 4'H x 4'W, 4'H x 5'W, 4'H x 6'W, and 4'H x 8'W.

Notes:

- Wall mounting hardware is not included.
- Indoor use only