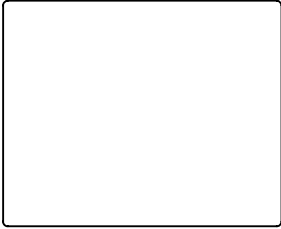
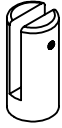


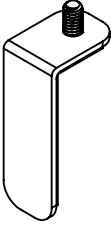
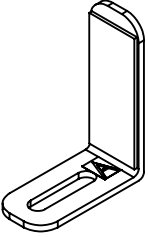
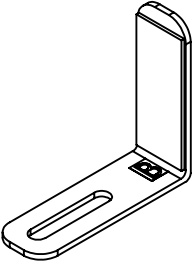



Partition Extender / PEXXXX-A Attachable Unit

Installation Instructions



Step 1: Remove and unpack the Acrylic Panel, Brackets, Bracket Plates, and Hardware.

 <p>Acrylic Panel</p>	 <p>Standoff with Nylon Tipped Set Screw</p>	 <p>Belleville Washer 5/16"</p>	 <p>Lock Washer 5/16"</p>
 <p>Front Bracket</p>	 <p>Small Rear Bracket A</p>	 <p>Large Rear Bracket B</p>	 <p>3mm Allen Wrench</p>

Note: Custom sizes with panel width larger than 72" will receive 4 sets of brackets. Standard sizes with panel width larger than 48" will receive 3 sets of brackets, all smaller sizes will receive 2 sets.

Step 2: Measure the thickness of the partition and select the corresponding rear bracket.

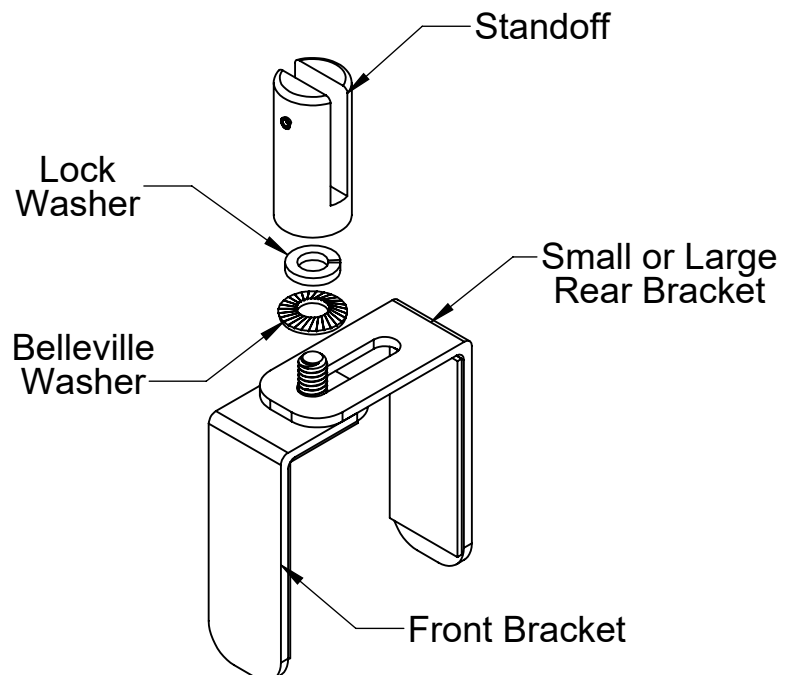
The Small Rear Bracket A should be used for panels which are between 1-1/2" and 2-7/16" thick.

The Large Rear Bracket B should be used for panels which are between 2-3/16" and 3-1/2" thick.

Step 3: Place and hold both Brackets onto partition, then add Belleville and Lock Washers onto the stud as shown.

Note: Belleville Washer should be placed with the cup facing downwards

Step 4: Thread the Standoff onto the stud, then tighten with a screwdriver until Standoff is aligned with the partition.

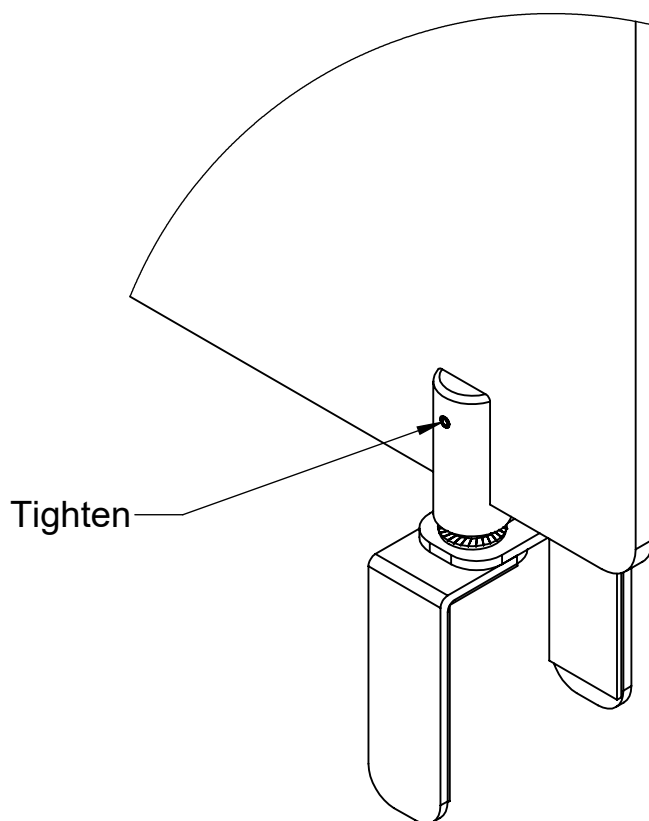


Partition Extender / PEXXXXX-A

Attachable Unit

Installation Instructions

Step 5: Slide the acrylic panel into the panel brackets. Secure the panel by tightening the set screws in the panel bracket with the provided wrench.



Step 6: Recycle all packaging in accordance to local regulations.