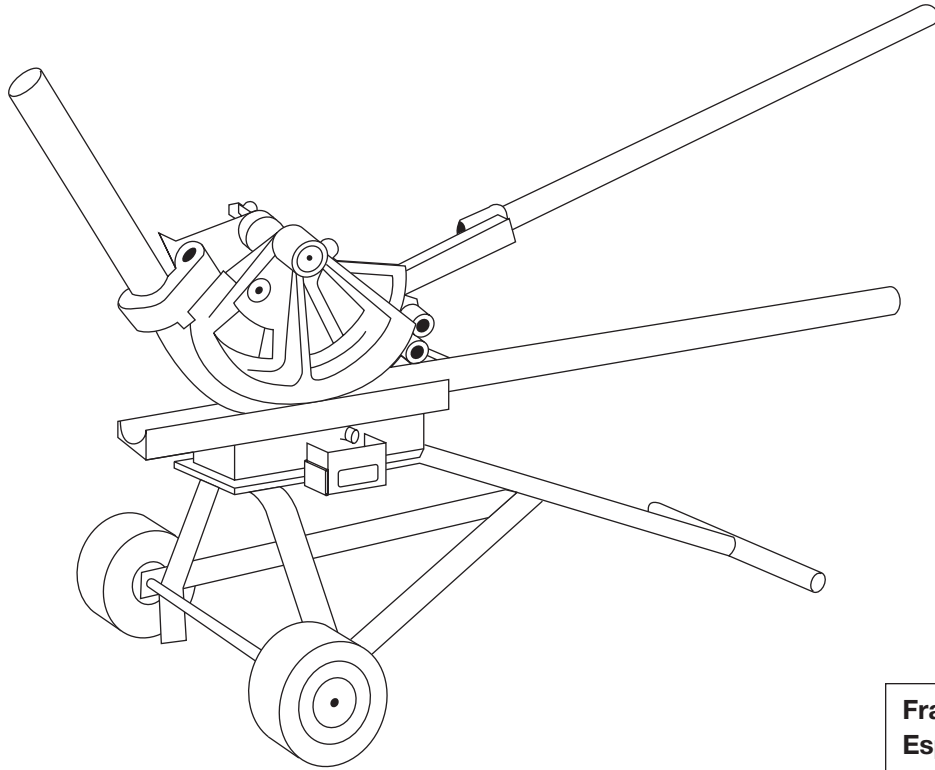


# INSTRUCTION MANUAL



Français..... 19  
Español..... 37

## 1818 Mechanical Bender

For all benders with Serial No. Code YY-0000 and up



**Read and understand** all of the instructions and safety information in this manual before operating or servicing this tool.

Register this product at [www.greenlee.com](http://www.greenlee.com)

## Table of Contents

Description .....	2
Safety .....	2
Purpose of this Manual .....	2
Important Safety Information .....	3
Instructions for Bending .....	4-8
Special Bending Information .....	9-11
Special Bending Information Charts .....	12-17
Illustration .....	55
Parts List .....	56

## Description

### Capacity

- 3/4" – 2" EMT
- 1/2" – 1-1/4" IMC
- 1/2" – 1-1/2" Galvanized Rigid Conduit
- 2" Aluminum (only) Rigid Conduit

*Note: Radius of bend is clearly marked on each bending shoe.*

The 1818 Mechanical Bender is designed for years of dependable trouble-free service.

These features make the 1818 bender one of the most versatile timesaving tools on the market.

- Built-In Ratchet — lets you apply short, powerful strokes for faster bending.
- Shoe Locator — makes loading easy. Shoe rotation is restricted.
- Bending Degree Indicator — helps assure accurate bends every time.
- Follow Bars — produce smooth bends in 1-1/4", 1-1/2" and 2" EMT without kinks or wrinkles.
- Rubber Wheels — provide easy portability in the shop or on the jobsite.
- Strong Frame — keeps bender in place during bending.
- Speed-bend Mode — bypasses ratchet for fast, direct bending of smaller sizes of conduit.

### Features that make the 1818 superior

- No storage box required. All of the shoes may be stored on the bender.
- Note: Bender holds follow bars, rollers and pins so the complete unit may be chained to a post for security.*
- The carriage minimizes deflection when bending larger conduit.
  - The steel main frame does not require a tie bar to support the bending system.
  - The shoe and ratchet segment unit is automatically retained by the friction button when loading the conduit. The lock system releases automatically.
  - The frame unit accepts existing 1818 shoes, cushion roller and follow bars.

## Safety

Safety is essential in the use and maintenance of Greenlee tools and equipment. This instruction manual and any markings on the tool provide information for avoiding hazards and unsafe practices related to the use of this tool. Observe all of the safety information provided.

## Purpose of this Manual

This instruction manual is intended to familiarize personnel with the safe operation and maintenance procedures for the Greenlee 1818 Mechanical Bender.

Keep this manual available to all personnel.

Replacement manuals are available upon request at no charge at [www.greenlee.com](http://www.greenlee.com).

All specifications are nominal and may change as design improvements occur. Greenlee Tools, Inc. shall not be liable for damages resulting from misapplication or misuse of its products.

# KEEP THIS MANUAL

**IMPORTANT SAFETY INFORMATION**



**SAFETY ALERT SYMBOL**

This symbol is used to call your attention to hazards or unsafe practices which could result in an injury or property damage. The signal word, defined below, indicates the severity of the hazard. The message after the signal word provides information for preventing or avoiding the hazard.

**⚠ DANGER**

Immediate hazards which, if not avoided, **WILL** result in severe injury or death.

**⚠ WARNING**

Hazards which, if not avoided, **COULD** result in severe injury or death.

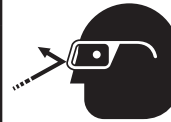
**⚠ CAUTION**

Hazards or unsafe practices which, if not avoided, **MAY** result in injury or property damage.



**⚠ WARNING**

Pinch points:  
Keep hands away from moving parts and conduit when bending. Failure to observe this warning could result in severe injury.



**⚠ WARNING**

Wear eye protection when using this bender. Failure to wear eye protection could result in serious eye injury from flying debris.

**⚠ CAUTION**

- Keep the conduit under control when unloading it from the bender. Conduit may fall and strike the operator or nearby personnel.
- Maintain a firm grip on the handle when bending. Springback of the conduit may not allow the ratchet to fully engage, causing the handle to spring upward suddenly.
- Remove the handle and conduit before moving the bender. Maintain a firm grip with both hands on the frame T-handle to prevent the bender from tipping over.
- Inspect the bender before each use. Replace any worn, damaged, or missing items with Greenlee replacement parts. A damaged or improperly assembled tool can break and strike nearby personnel.
- Use proper lifting practices when lifting the bender. The bender weighs over 75 lb (34 kg), and requires more than one person to lift.

Failure to observe these precautions may result in injury.



**⚠ WARNING**

Read and understand all of the instructions and safety information in this manual before operating or servicing this tool.

Failure to observe this warning could result in severe injury or death.



**⚠ WARNING**

Do not leave the ratchet handle in the UP position when the bender is not in use. A handle left in the UP position could fall unexpectedly.

**⚠ CAUTION**

Use this product for the manufacturer's intended purpose only. Use other than that which is described in this manual may result in injury or property damage.

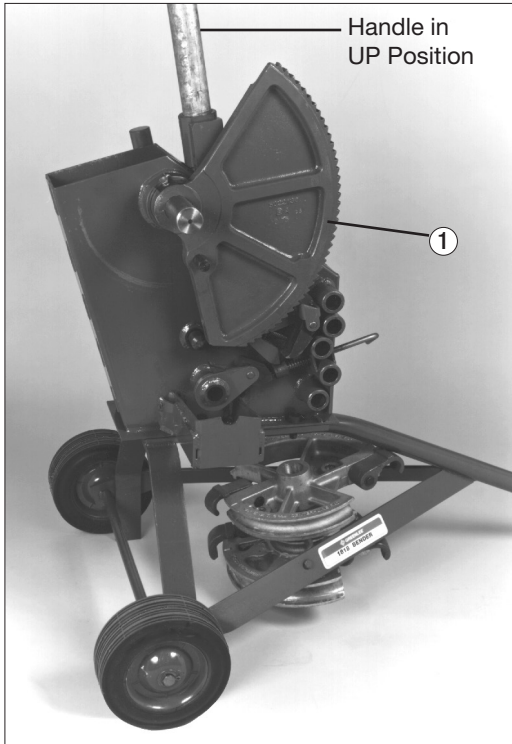
**Instructions for Bending:**


**3/4" – 1" EMT**  
**1/2" – 1-1/4" IMC**  
**1/2" – 1-1/2" Rigid**  
**2" Rigid Aluminum Conduit**

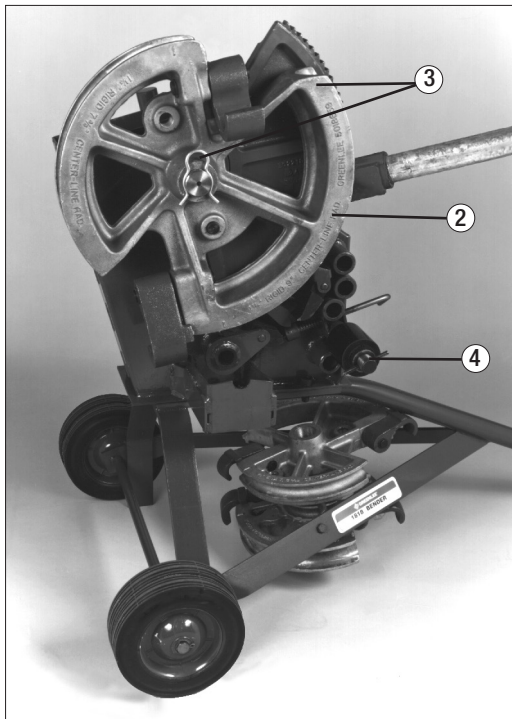
For handle use 5' length of 1-1/4" rigid conduit; retain with set screw.

1. Rotate the ratchet segment counterclockwise to LOAD position. The friction button will pop out and retain the segment from rotating in the bend direction.

*Note: The ratchet handle must be rotated to the UP position to release the lock and drive pawls from the segment. The segment may require a small amount of clockwise rotation to release the lock pawl.*

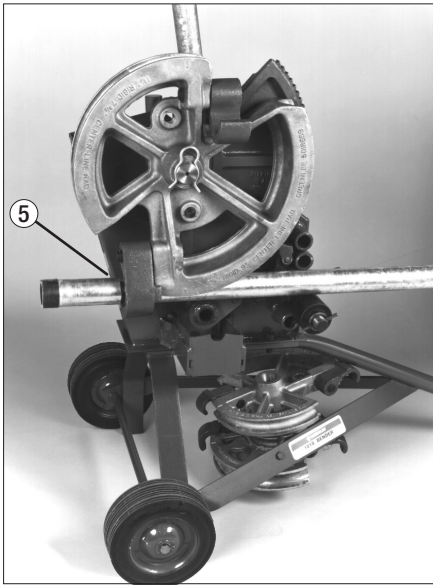


	<b>⚠ WARNING</b>
	Do not leave the ratchet handle in the UP position when the bender is not in use. A handle left in the UP position could fall unexpectedly.

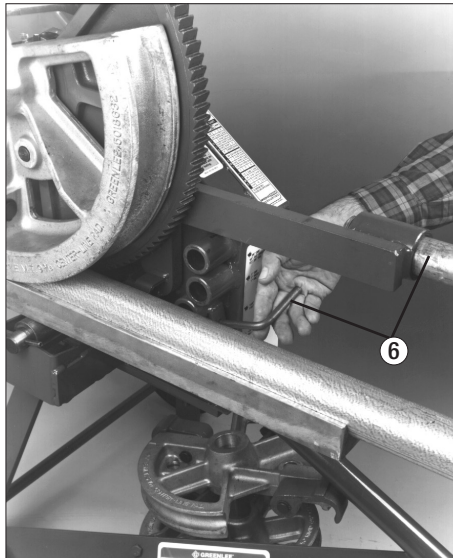


2. Select the correct bending shoe (size and type of conduit is marked on the shoe).
3. Place the bending shoe on the pivot shaft and align the drive pin on the segment with the hole in the shoe. Snap spring clip on pivot shaft.
4. Place the cushion roller on the roller pin and insert into the proper hole, as indicated by the decal on the bender frame.

**Instructions for Bending (cont'd)**

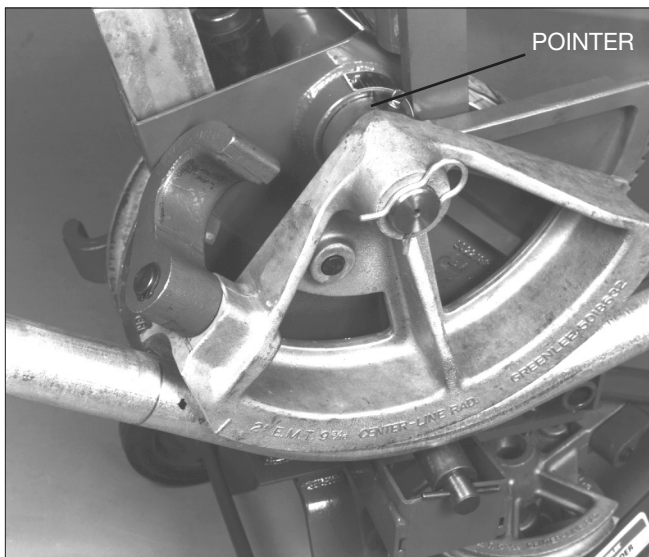


5. Place the conduit in the bender as shown on the shoe and align bending marks with the front edge of the hook.



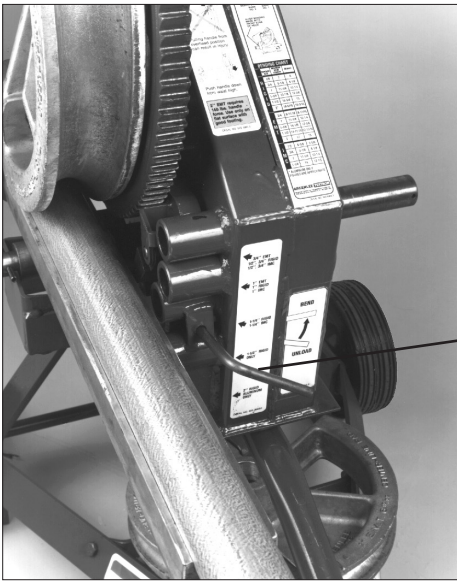
6. Lower the ratchet handle to the horizontal position, then rotate the bend control handle to the BEND position.

*Note: Set the pointer on zero, with the conduit snug against the shoe hook. The indicator does not compensate for spring-back.*



7. Ratchet the bending shoe to the desired angle, as shown by the degree angle pointer.

**Instructions for Bending (cont'd)**



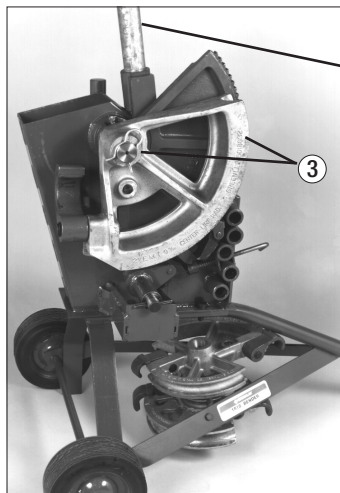
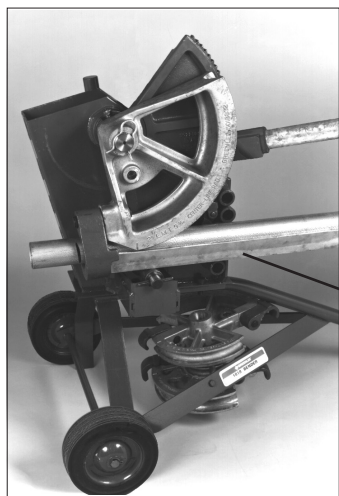
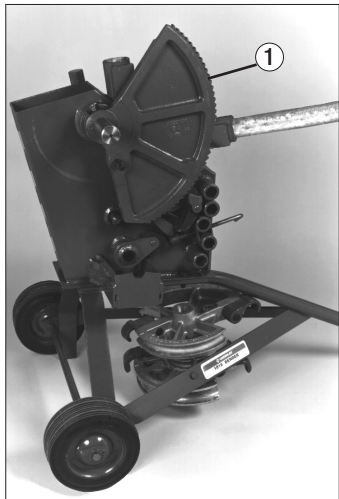
8. Rotate the ratchet handle to the UP position. This will automatically move the bend control handle to the RELEASE position. Then rotate the ratchet handle down to the bending position, and apply bend pressure until the lock pawl releases. A click will be made, then rotate the ratchet handle to the UP position. The shoe and segment may be rotated to remove the bent conduit.

Bend control handle in release position.



**⚠ WARNING**

Do not leave the ratchet handle in the UP position when the bender is not in use. A handle left in the UP position could fall unexpectedly.



**Instructions for Bending:**

**1-1/4" - 2" EMT**

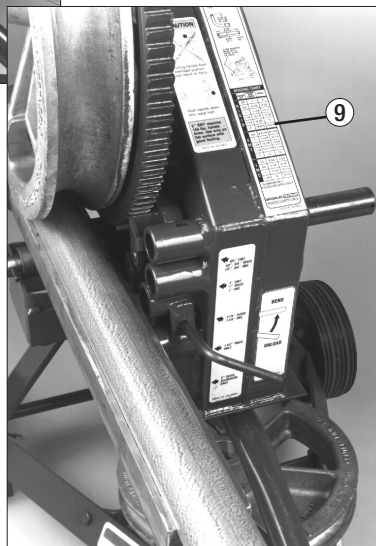
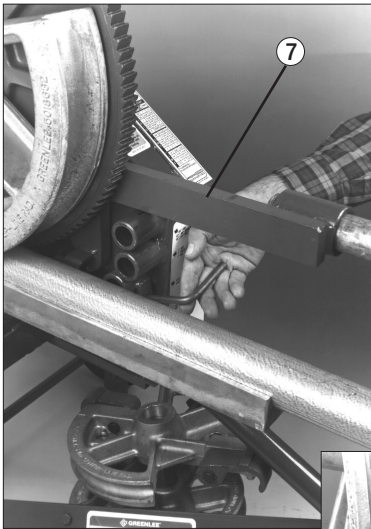
1. Rotate the ratchet segment counterclockwise to LOAD position. The friction button will pop out and retain the segment from rotating in the bend direction.

For handle, use 5' length of 1-1/4" rigid conduit; retain with set screw.

*Note: The ratchet handle must be rotated to the UP position to release the lock and drive pawls from the segment. The segment may require a small amount of clockwise rotation to release the lock pawl.*

2. Select the correct bending shoe (size and type of conduit is marked on the shoe).
3. Place the bending shoe on the pivot shaft and align the drive pin on the segment with the hole in the shoe. Snap spring clip on pivot shaft.
4. Place steel roller in line with the forward hole and outboard support. Insert the roller pin to retain the roller.
5. Position the follow bar as shown.
6. Place the conduit in the bender as shown, and align bending mark with the front edge of the hook.


## Instructions for Bending (cont'd)

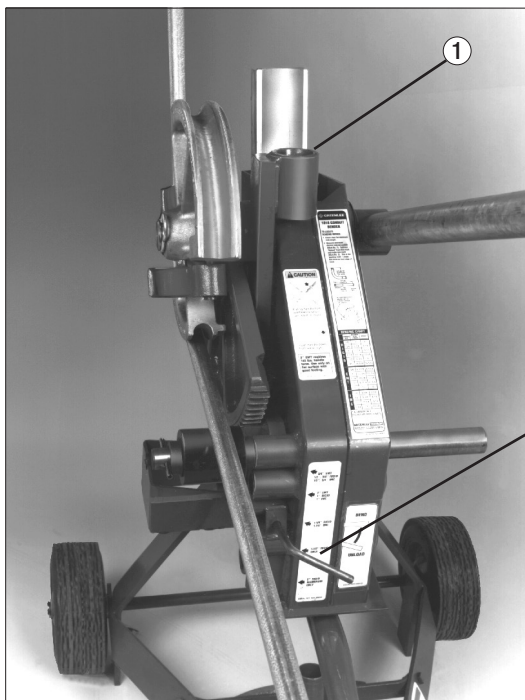


- Lower the ratchet handle to the horizontal position, then rotate the bend control handle to the BEND position.

*Note: Set the pointer on zero with the conduit snug against the shoe hook. The indicator does not compensate for spring-back.*

- Ratchet the bend shoe to the desired angle as shown by the degree angle pointer.
- Rotate the ratchet handle to the UP position. This will automatically move the bend control handle to the RELEASE position. Then rotate the ratchet handle down to the bending position, and apply bend pressure until the lock pawl releases. A click will be made, then rotate the ratchet handle to the UP position. The shoe and segment may be rotated to remove the bent conduit.

	<b>⚠ WARNING</b>
	<p>Do not leave the ratchet handle in the UP position when the bender is not in use. A handle left in the UP position could fall unexpectedly.</p>



### Speed Bending on 1/2", 3/4" and 1" Sizes

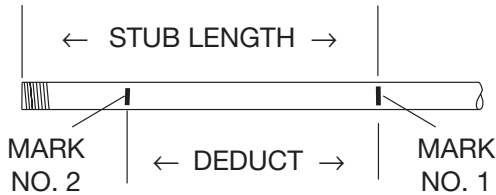
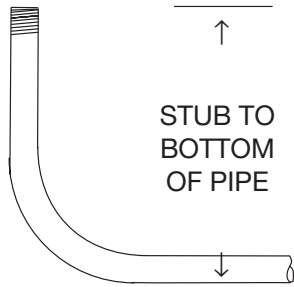
- Rotate the ratchet handle to the UP position. Remove the handle after loosening the set screw in the ratchet handle. Place the handle on the post located on the pivot shaft. Pull down the handle until required bend is made.
- To unload the bender, rotate the handle to the UP position and remove the conduit.

*Note: Bend release handle will be in the release position for bending with handle in speed bend location.*

**Instructions for Bending (cont'd)**

**To Locate Bending Marks**

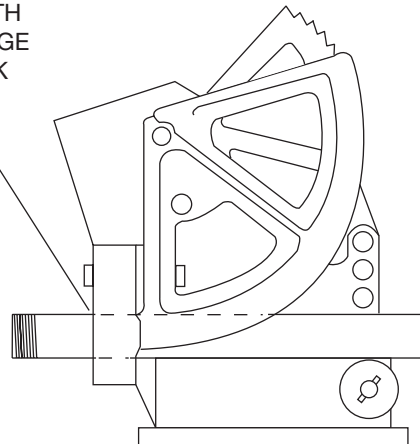
1. Check chart for minimum stub length.
2. Measure and mark desired stub on conduit (Mark No. 1). Subtract "Deduct" from this mark and make new mark (Mark No. 2). This is the bending mark. Locate this mark at front edge of hook.



BENDING CHART			
	Conduit Size	Minimum Stub Length	Deduct
<b>R I G I D</b>	1/2	7	6
	3/4	9-1/8	8-1/8
	1	11-1/4	10-1/4
	1-1/4	13-7/8	12-3/8
	1-1/2	16-3/4	15
<b>E M T</b>	3/4	9-11/16	8-11/16
	1	11-1/4	10-1/4
	1-1/4	14-1/8	12-5/8
	1-1/2	14-11/16	12-15/16
	2	17	15
<b>I M C</b>	1/2	6-5/8	5-5/8
	3/4	9-1/8	8-1/8
	1	11-1/4	10-1/4
	1-1/4	14	12-1/2

\* ALUMINUM ONLY  
FIGURES ARE APPROXIMATE

ALIGN BENDING MARK WITH FRONT EDGE OF HOOK



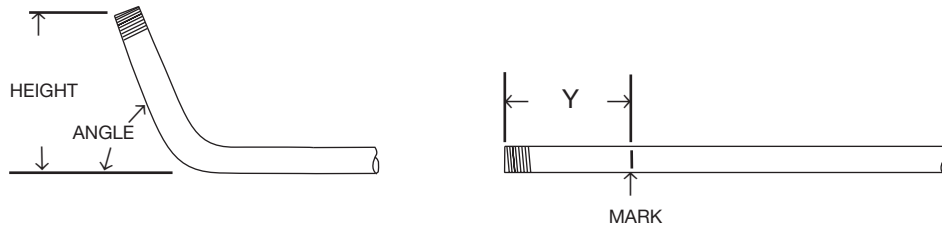


## Special Bending Information

### Setting Up Your Bends

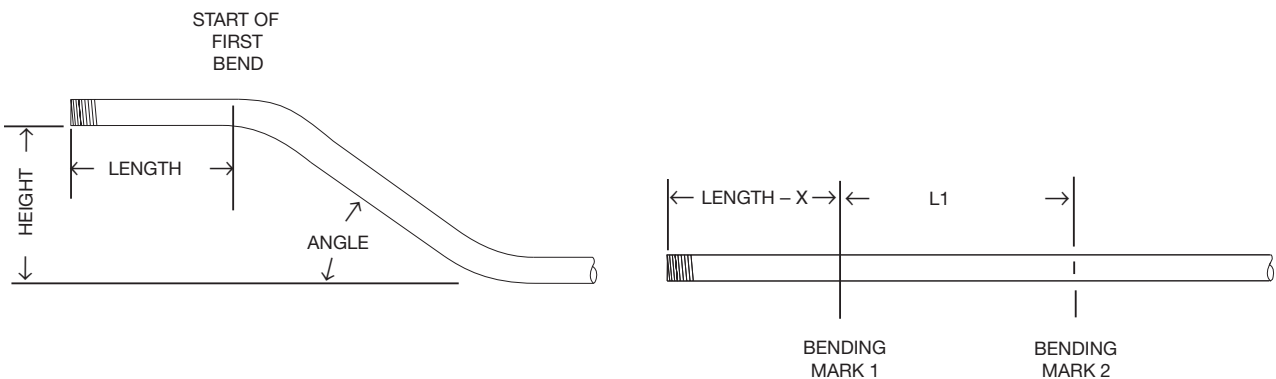
The following describes a means for laying out the starting points for various types of bends. It will give very accurate measurements for heights and bend angles commonly used.

#### Stubs:



1. Go to the following chart which is for the size and type of conduit you are to bend.
2. Look down to the ANGLE column until you come to the angle you want to bend to.
3. Look at the numbers in the row preceded by Y and pick the one that is directly under the height (H) you want.
4. Place a mark this distance from the end of the conduit.
5. Make your bend after positioning the front edge of the hook on your mark.

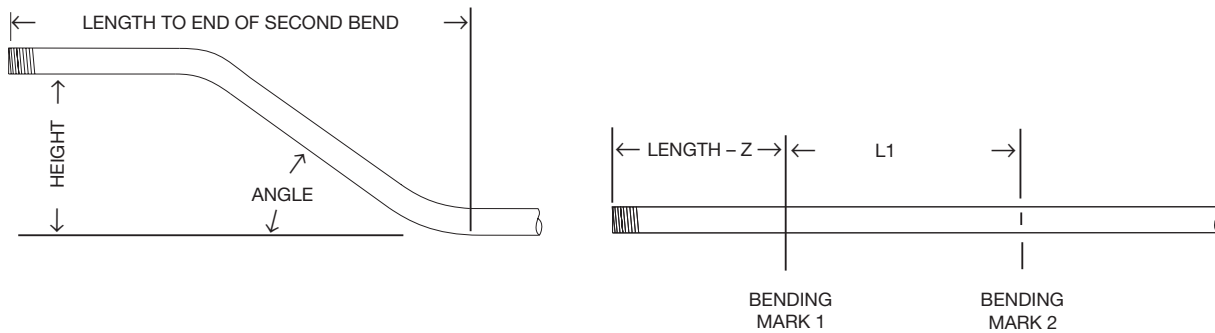
#### Offsets: (Controlling the start of the first bend)



1. Subtract the X dimension for the size of conduit to be bent from the desired length.
2. Place your first mark this distance from the end of the conduit.
3. Go to the following chart which is for the size and type of conduit you are to bend.
4. Look down to the ANGLE column until you come to the angles you want to bend to.
5. Look at the numbers in the row preceded by L1 and pick the one that is directly under the height (H) you want.
6. Place a second mark this distance from your first mark.
7. Make your first bend after placing the front edge of the hook on the first mark and your second bend after placing the front edge of the hook under the second mark.

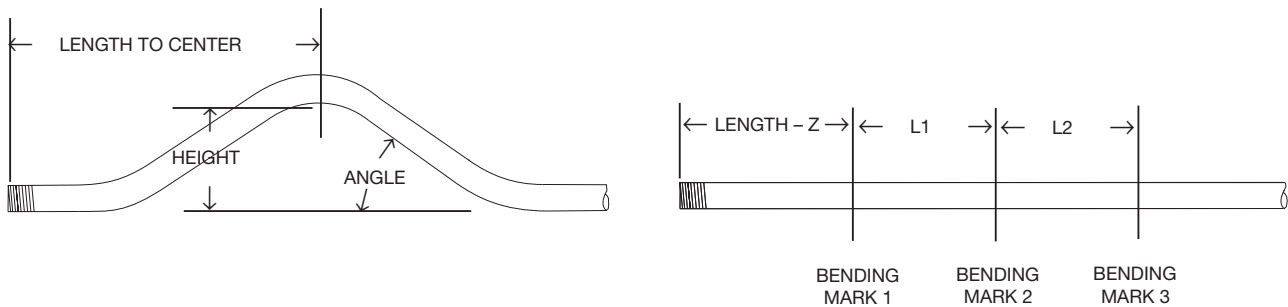
## Special Bending Information (cont'd)

### Offsets: (Controlling the end of the second bend)



1. Go to the following chart which is for the size and type of conduit you are to bend.
2. Look down the ANGLE column until you come to the angle you want to bend to.
3. Look at the numbers in the row preceded by Z and pick the one that is directly under the height (H) you want.
4. Subtract this Z dimension from the desired length.
5. Place your first mark this distance from the end of the conduit.
6. Look at the numbers in the row preceded by L1 and pick the one that is directly under the height (H) you want.
7. Place a second mark this distance from your first mark.
8. Make your first bend after placing the front edge of the hook on the first mark and your second bend after placing the front edge of the hook on the second mark.

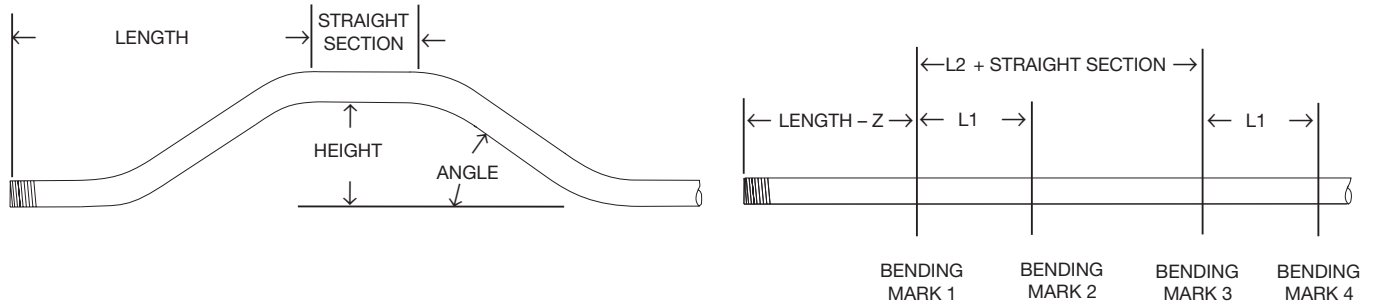
### 3 Bend Saddles:



1. Go to the following chart which is for the size and type of conduit you are to bend.
2. Look down the ANGLE column until you come to the angle you want to bend to.
3. Look at the numbers in the row preceded by Z and pick the one that is directly under the height (H) you want.
4. Subtract this Z dimension from the desired length.
5. Place your first mark this distance from the end of the conduit.
6. Look at the numbers in the row preceded by L1 and pick the one that is directly under the height (H) you want.
7. Place a second mark this distance from your first mark.
8. Look at the numbers in the row preceded by L2 and pick the one that is directly under the height (H) you want.
9. Place a third mark this distance from your second mark.
10. Make your first bend after placing the front edge of the hook on the first mark and your second bend after placing the front edge of the hook on the second mark. Remember to make the second bend double the first bend. Make your third bend after placing the front edge of the hook on the third mark.

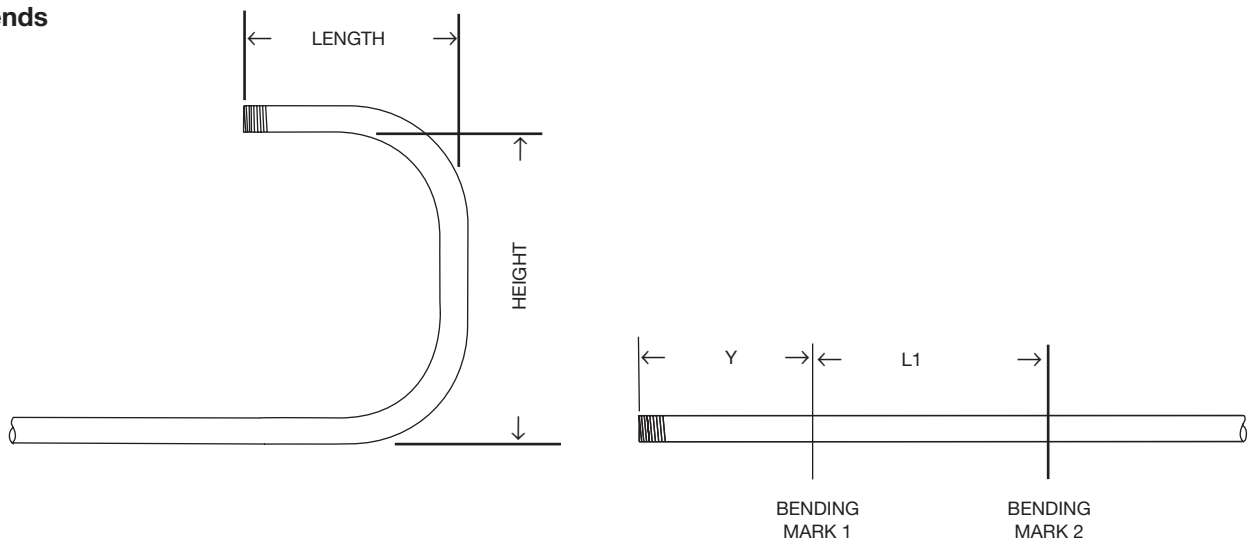
## Special Bending Information (cont'd)

### 4 Bend Saddles with Straight



1. Go to the following chart which is for the size and type of conduit you are to bend.
2. Look down the ANGLE column until you come to the angle you want to bend to.
3. Look at the numbers in the row preceded by Z and pick the one that is directly under the height (H) you want.
4. Subtract this Z dimension from the desired length.
5. Place your first mark this distance from the end of the conduit.
6. Look at the numbers in the row preceded by L1 and pick the one that is directly under the height (H) you want.
7. Place a second mark this distance from your first mark.
8. Look at the numbers in the row preceded by L2 and pick the one that is directly under the height (H) you want.
9. Add this L2 value to the desired length of your straight section.
10. Place a third mark this distance from your first mark.
11. Look up the L1 dimension used above again.
12. Place a fourth mark this distance from your third mark.
13. Make your four bends by placing the front edge of the hook on the respective marks for each bend.

### U-Bends



1. Go to the chart for the size and type of conduit you are to bend.
2. Look down the ANGLE column until you come to 90 degrees.
3. Look at the numbers in the row preceded by Y and pick the one that is directly under the length (L) you want the length to be.
4. Place your first mark at this distance from the end of the conduit.
5. Look at the numbers in the row preceded by L1 and pick the one that is directly under the height (H) you want.
6. Place a second mark this distance from your first mark.
7. Make your first bend after placing the front edge of the hook on the first mark and your second bend after placing the front edge of the hook on the second mark.

## Special Bending Information Chart

	DIM	ANGLE	2"	4"	6"	8"	10"	12"	15"	18"	24"	36"
<b>3/4 EMT</b>			Dia. = .922		Radius = 5.25		X = 2.98		H = Height			
	Y	15.00	2.28	10.00	17.73	25.46	33.18	40.91	52.50	64.09	87.28	133.64
	L1	15.00	7.72	15.45	23.17	30.90	38.63	46.36	57.95	69.54	92.72	139.09
	L2	15.00	9.09	16.82	24.55	32.28	40.00	47.73	59.32	70.91	94.10	140.46
	Z	15.00	11.83	19.29	26.75	34.22	41.68	49.15	60.34	71.54	93.93	138.72
<b>MINIMUM H = 1.13</b>												
	Y	22.50		5.22	10.45	15.68	20.90	26.13	33.97	41.81	57.49	88.84
	L1	22.50	5.20	10.43	15.65	20.88	26.10	31.33	39.17	47.01	62.69	94.05
	L2	22.50	7.26	12.49	17.71	22.94	28.17	33.39	41.23	49.07	64.75	96.11
	Z	22.50	9.90	14.73	19.55	24.38	29.21	34.04	41.28	48.52	63.01	91.98
<b>MINIMUM H = 1.94</b>												
	Y	30.00		2.69	6.69	10.69	14.69	18.69	24.69	30.69	42.69	66.69
	L1	30.00		7.94	11.94	15.94	19.94	23.94	29.94	35.94	47.94	71.94
	L2	30.00		10.68	14.68	18.68	22.68	26.68	32.68	38.68	50.68	74.68
	Z	30.00		12.72	16.19	19.65	23.11	26.58	31.77	36.97	47.36	68.15
<b>MINIMUM H = 2.90</b>												
	Y	45.00		2.68	5.51	8.34	11.16	15.41	19.65	28.13	45.11	
	L1	45.00		8.26	11.09	13.92	16.74	20.99	25.23	33.72	50.69	
	L2	45.00		12.38	15.21	18.04	20.87	25.11	29.35	37.84	54.81	
	Z	45.00		13.33	15.33	17.33	19.33	22.33	25.33	31.33	43.33	
<b>MINIMUM H = 5.18</b>												
	Y	60.00		0.38	2.69	5.00	7.31	10.78	14.24	21.17	35.03	
	L1	60.00			8.67	10.98	13.29	16.76	20.22	27.15	41.00	
	L2	60.00			14.17	16.48	18.79	22.25	25.72	32.65	46.50	
	Z	60.00			13.66	14.82	15.97	17.70	19.43	22.90	29.83	
<b>MINIMUM H = 7.83</b>												
	Y	90.00				1.31	3.31	5.31	9.31	15.31	27.31	
	L1	90.00						12.75	15.75	21.75	33.75	
	L2	90.00						20.99	23.99	29.99	41.99	
	Z	90.00						13.48	13.48	13.48	13.48	
<b>MINIMUM H = 13.48</b>												
<b>1 EMT</b>			Dia. = 1.163		Radius = 6.6		X = 3.07		H = Height			
	Y	15.00	1.54	9.27	17.00	24.72	32.45	40.18	51.77	63.36	86.54	132.91
	L1	15.00	7.72	15.44	23.17	30.90	38.63	46.35	57.95	69.54	92.72	139.08
	L2	15.00	9.45	17.17	24.90	32.63	40.35	48.08	59.67	71.26	94.45	140.81
	Z	15.00	12.27	19.74	27.20	34.66	42.13	49.59	60.79	71.98	94.38	139.16
<b>MINIMUM H = 1.24</b>												
	Y	22.50		4.55	9.78	15.00	20.23	25.46	33.29	41.13	56.81	88.17
	L1	22.50		10.42	15.64	20.87	26.10	31.32	39.16	47.00	62.68	94.04
	L2	22.50		13.01	18.24	23.46	28.69	33.92	41.75	49.59	65.27	96.63
	Z	22.50		15.35	20.18	25.01	29.84	34.67	41.91	49.15	63.64	92.61
<b>MINIMUM H = 2.18</b>												
	Y	30.00		2.00	6.00	10.00	14.00	18.00	24.00	30.00	42.00	66.00
	L1	30.00		7.92	11.92	15.92	19.92	23.92	29.92	35.92	47.92	71.92
	L2	30.00		11.37	15.37	19.37	23.37	27.37	33.37	39.37	51.37	75.37
	Z	30.00		13.54	17.00	20.46	23.93	27.39	32.59	37.78	48.18	68.96
<b>MINIMUM H = 3.30</b>												
	Y	45.00		1.86	4.69	7.52	10.34	14.59	18.83	27.31	44.29	
	L1	45.00			11.03	13.86	16.69	20.93	25.17	33.66	50.63	
	L2	45.00			13.38	16.21	19.04	21.87	26.11	30.36	38.84	55.81
	Z	45.00			14.54	16.54	18.54	20.54	23.54	26.54	32.54	44.54
<b>MINIMUM H = 6.04</b>												
	Y	60.00			1.69	4.00	6.30	9.77	13.23	20.16	34.02	
	L1	60.00				10.84	13.15	16.61	20.08	27.00	40.86	
	L2	60.00				17.75	20.06	23.52	26.99	33.91	47.77	
	Z	60.00				16.46	17.62	19.35	21.08	24.55	31.48	
<b>MINIMUM H = 9.26</b>												
	Y	90.00					1.75	4.75	7.75	13.75	25.75	
	L1	90.00							15.17	21.17	33.17	
	L2	90.00							25.53	31.53	43.53	
	Z	90.00							16.27	16.27	16.27	
<b>MINIMUM H = 16.27</b>												

**Special Bending Information Chart (cont'd)**

	DIM	ANGLE	2"	4"	6"	8"	10"	12"	15"	18"	24"	36"
<b>1-1/4 EMT</b>			Dia. = 1.51		Radius = 8.53		X = 3.34		H = Height			
	Y	15.00	0.35	8.07	15.80	23.53	31.26	38.98	50.58	62.17	85.35	131.71
	L1	15.00	7.71	15.44	23.17	30.90	38.62	46.35	57.94	69.53	92.72	139.08
	L2	15.00	9.95	17.68	25.40	33.13	40.86	48.58	60.18	71.77	94.95	141.31
	Z	15.00	13.05	20.51	27.98	35.44	42.91	50.37	61.57	72.76	95.16	139.94
<b>MINIMUM H = 1.45</b>												
	Y	22.50		3.44	8.67	13.90	19.12	24.35	32.19	40.03	55.71	87.06
	L1	22.50		10.41	15.64	20.86	26.09	31.31	39.15	46.99	62.67	94.03
	L2	22.50		13.76	18.98	24.21	29.44	34.66	42.50	50.34	66.02	97.38
	Z	22.50		16.39	21.22	26.05	30.88	35.70	42.95	50.19	64.67	93.65
<b>MINIMUM H = 2.58</b>												
	Y	30.00		0.86	4.86	8.86	12.86	16.86	22.86	28.86	40.86	64.86
	L1	30.00		7.90	11.90	15.90	19.90	23.90	29.90	35.90	47.90	71.90
	L2	30.00		12.36	16.36	20.36	24.36	28.36	34.36	40.36	52.36	76.36
	Z	30.00		14.84	18.30	21.77	25.23	28.70	33.89	39.09	49.48	70.27
<b>MINIMUM H = 3.96</b>												
	Y	45.00			0.54	3.37	6.20	9.03	13.27	17.51	26.00	42.97
	L1	45.00				10.95	13.78	16.60	20.85	25.09	33.57	50.54
	L2	45.00				17.65	20.47	23.30	27.55	31.79	40.27	57.24
	Z	45.00				18.41	20.41	22.41	25.41	28.41	34.41	46.41
<b>MINIMUM H = 7.36</b>												
	Y	60.00				0.10	2.41	4.72	8.18	11.65	18.58	32.43
	L1	60.00						12.94	16.40	19.87	26.80	40.65
	L2	60.00						21.87	25.34	28.80	35.73	49.58
	Z	60.00						20.12	21.85	23.58	27.05	33.97
<b>MINIMUM H = 11.42</b>												
	Y	90.00							2.38	5.38	11.38	23.38
	L1	90.00									20.34	32.34
	L2	90.00									33.74	45.74
	Z	90.00									20.40	20.40
<b>MINIMUM H = 20.4</b>												
<b>1-1/2 EMT</b>			Dia. = 1.74		Radius = 8.53		X = 3.54		H = Height			
	Y	15.00		7.43	15.16	22.89	30.61	38.34	49.93	61.52	84.7	131.07
	L1	15.00	7.71	15.44	23.17	30.90	38.62	46.35	57.94	69.53	92.72	139.08
	L2	15.00	9.95	17.68	25.40	33.13	40.86	48.58	60.18	71.77	94.95	141.31
	Z	15.00	13.25	20.71	28.18	35.64	43.11	50.57	61.77	72.96	95.36	140.14
<b>MINIMUM H = 1.50</b>												
	Y	22.50		2.94	8.17	13.39	18.62	23.85	31.69	39.53	55.2	86.56
	L1	22.50		10.41	15.64	20.86	26.09	31.31	39.15	46.99	62.67	94.03
	L2	22.50		13.76	18.98	24.21	29.44	34.66	42.5	50.34	66.02	97.38
	Z	22.50		16.59	21.42	26.25	31.08	35.9	43.15	50.39	64.87	93.85
<b>MINIMUM H = 2.65</b>												
	Y	30.00			4.43	8.43	12.43	16.43	22.43	28.43	40.43	64.43
	L1	30.00			11.90	15.90	19.90	23.90	29.90	35.90	47.90	71.90
	L2	30.00			16.36	20.36	24.36	28.36	34.36	40.36	52.36	76.36
	Z	30.00			18.50	21.97	25.43	28.90	34.09	39.29	49.68	70.47
<b>MINIMUM H = 4.06</b>												
	Y	45.00			0.18	3.01	5.84	8.67	12.91	17.15	25.64	42.61
	L1	45.00				10.95	13.78	16.60	20.85	25.09	33.57	50.54
	L2	45.00				17.65	20.47	23.30	27.55	31.79	40.27	57.24
	Z	45.00				18.61	20.61	22.61	25.61	28.61	34.61	46.61
<b>MINIMUM H = 7.50</b>												
	Y	60.00					2.08	4.39	7.85	11.32	18.24	32.10
	L1	60.00						12.94	16.40	19.87	26.80	40.65
	L2	60.00						21.87	25.34	28.80	35.73	49.58
	Z	60.00						20.32	22.05	23.78	27.25	34.17
<b>MINIMUM H = 11.60</b>												
	Y	90.00							2.06	5.06	11.06	23.06
	L1	90.00									20.34	32.34
	L2	90.00									33.74	45.74
	Z	90.00									20.6	20.60
<b>MINIMUM H = 20.6</b>												

## Special Bending Information Chart (cont'd)

	DIM	ANGLE	2"	4"	6"	8"	10"	12"	15"	18"	24"	36"
<b>2 EMT</b>			Dia. = 2.2		Radius = 9.46		X = 4.44		H = Height			
	Y	15.00		5.52	13.25	20.97	28.70	36.43	48.02	59.61	82.79	129.16
	L1	15.00	7.71	15.44	23.17	30.90	38.62	46.35	57.94	69.53	92.71	139.08
	L2	15.00	10.19	17.92	25.64	33.37	41.10	48.83	60.42	72.01	95.19	141.56
	Z	15.00	14.39	21.86	29.32	36.79	44.25	51.72	62.91	74.11	96.50	141.28
<b>MINIMUM H = 1.80</b>												
	Y	22.50		1.26	6.48	11.71	16.94	22.16	30.00	37.84	53.52	84.88
	L1	22.50		10.40	15.63	20.86	26.08	31.31	39.15	46.99	62.67	94.02
	L2	22.50		14.12	19.35	24.57	29.80	35.02	42.86	50.70	66.38	97.74
	Z	22.50		17.86	22.69	27.52	32.35	37.17	44.42	51.66	66.14	95.12
<b>MINIMUM H = 3.14</b>												
	Y	30.00			2.83	6.83	10.83	14.83	20.83	26.83	38.83	62.83
	L1	30.00			11.88	15.88	19.88	23.88	29.88	35.88	47.88	71.88
	L2	30.00			16.84	20.84	24.84	28.84	34.84	40.84	52.84	76.84
	Z	30.00			19.90	23.37	26.83	30.29	35.49	40.69	51.08	71.86
<b>MINIMUM H = 4.75</b>												
	Y	45.00				1.40	4.23	7.06	11.30	15.54	24.03	41.00
	L1	45.00					13.74	16.56	20.81	25.05	33.53	50.50
	L2	45.00					21.16	23.99	28.24	32.48	40.96	57.93
	Z	45.00					22.28	24.28	27.28	30.28	36.28	48.28
<b>MINIMUM H = 8.68</b>												
	Y	60.00					0.38	2.68	6.15	9.61	16.54	30.40
	L1	60.00							16.30	19.77	26.70	40.55
	L2	60.00							26.21	29.67	36.60	50.46
	Z	60.00							24.02	25.76	29.22	36.15
<b>MINIMUM H = 13.31</b>												
	Y	90.00								3.00	9.00	21.00
	L1	90.00									19.94	31.94
	L2	90.00									34.80	46.80
	Z	90.00									23.36	23.36
<b>MINIMUM H = 23.36</b>												
<b>1/2 IMC/RIGID</b>			Dia. = .84		Radius = 2.74		X = 2.84		H = Height			
	Y	15.00	2.90	10.63	18.36	26.09	33.81	41.54	53.13	64.72	87.91	134.27
	L1	15.00	7.72	15.45	23.18	30.91	38.63	46.36	57.95	69.54	92.72	139.09
	L2	15.00	8.44	16.17	23.90	31.62	39.35	47.08	58.67	70.26	93.44	139.81
	Z	15.00	11.03	18.49	25.95	33.42	40.88	48.35	59.54	70.74	93.13	137.92
<b>MINIMUM H = 9.22</b>												
	Y	22.50	0.74	5.97	11.20	16.42	21.65	26.87	34.71	42.55	58.23	89.59
	L1	22.50	5.21	10.44	15.66	20.89	26.12	31.34	39.18	47.02	62.70	94.06
	L2	22.50	6.29	11.51	16.74	21.97	27.19	32.42	40.26	48.10	63.78	95.13
	Z	22.50	8.76	13.59	18.42	23.24	28.07	32.90	40.14	47.39	61.87	90.84
<b>MINIMUM H = 1.50</b>												
	Y	30.00		3.59	7.59	11.59	15.59	19.59	25.59	31.59	43.59	67.59
	L1	30.00		7.97	11.97	15.97	19.97	23.97	29.97	35.97	47.97	71.97
	L2	30.00		9.40	13.40	17.40	21.40	25.40	31.40	37.40	49.40	73.40
	Z	30.00		11.24	14.70	18.16	21.63	25.09	30.29	35.49	45.88	66.66
<b>MINIMUM H = 2.15</b>												
	Y	45.00		1.09	3.92	6.74	9.57	12.40	16.64	20.89	29.37	46.34
	L1	45.00		5.54	8.37	11.20	14.02	16.85	21.10	25.34	33.82	50.79
	L2	45.00		7.69	10.52	13.35	16.18	19.00	23.25	27.49	35.98	52.95
	Z	45.00		9.11	11.11	13.11	15.11	17.11	20.11	23.11	29.11	41.11
<b>MINIMUM H = 3.61</b>												
	Y	60.00			2.02	4.33	6.64	8.95	12.41	15.88	22.81	36.66
	L1	60.00			6.63	8.94	11.25	13.56	17.03	20.49	27.42	41.27
	L2	60.00			9.50	11.81	14.12	16.43	19.90	23.36	30.29	44.14
	Z	60.00			9.47	10.62	11.78	12.93	14.66	16.40	19.86	26.79
<b>MINIMUM H = 5.20</b>												
	Y	90.00				2.00	4.00	6.00	9.00	12.00	18.00	30.00
	L1	90.00					8.82	10.82	13.82	16.82	22.82	34.82
	L2	90.00					13.13	15.13	18.13	21.13	27.13	39.13
	Z	90.00					8.32	8.32	8.32	8.32	8.32	8.32
<b>MINIMUM H = 8.32</b>												

## Special Bending Information Chart (cont'd)

DIM	ANGLE	2"	4"	6"	8"	10"	12"	15"	18"	24"	36"
<b>3/4 IMC/RIGID</b>		Di. = 1.05	Radius = 4.76		X = 2.84	H = Height					
Y	15.00	2.23	9.96	17.69	25.41	33.14	40.87	52.46	64.05	87.23	133.60
L1	15.00	7.72	15.45	23.18	30.90	38.63	46.36	57.95	69.54	92.72	139.09
L2	15.00	8.97	16.69	24.42	32.15	39.88	47.60	59.19	70.79	93.97	140.33
Z	15.00	11.56	19.02	26.49	33.95	41.41	48.88	60.07	71.27	93.66	138.45
<b>MINIMUM H = 1.06</b>											
Y	22.50	0.07	5.29	10.52	15.75	20.97	26.20	34.04	41.88	57.56	88.91
L1	22.50	5.20	10.43	15.65	20.88	26.11	31.33	39.17	47.01	62.69	94.05
L2	22.50	7.07	12.30	17.52	22.75	27.98	33.20	41.04	48.88	64.56	95.92
Z	22.50	9.56	14.39	19.22	24.05	28.88	33.70	40.95	48.19	62.67	91.65
<b>MINIMUM H = 1.81</b>											
Y	30.00		2.83	6.83	10.83	14.83	18.83	24.83	30.83	42.83	66.83
L1	30.00		7.94	11.94	15.94	19.94	23.94	29.94	35.94	47.94	71.94
L2	30.00		10.43	14.43	18.43	22.43	26.43	32.43	38.43	50.43	74.43
Z	30.00		12.32	15.78	19.25	22.71	26.18	31.37	36.57	46.96	67.74
<b>MINIMUM H = 2.70</b>											
Y	45.00		0.10	2.93	5.76	8.59	11.42	15.66	19.90	28.39	45.36
L1	45.00			8.28	11.11	13.94	16.77	21.01	25.25	33.74	50.71
L2	45.00			12.02	14.85	17.68	20.50	24.75	28.99	37.47	54.45
Z	45.00			12.78	14.78	16.78	18.78	21.78	24.78	30.78	42.78
<b>MINIMUM H = 4.80</b>											
Y	60.00			0.73	3.04	5.35	7.66	11.13	14.59	21.52	35.37
L1	60.00				8.73	11.04	13.34	16.81	20.27	27.20	41.06
L2	60.00				13.71	16.02	18.33	21.79	25.26	32.19	46.04
Z	60.00				12.96	14.11	15.26	17.00	18.73	22.19	29.12
<b>MINIMUM H = 7.22</b>											
Y	90.00					1.38	3.88	6.88	9.88	15.88	27.88
L1	90.00							12.96	15.96	21.96	33.96
L2	90.00							20.43	23.43	29.43	41.43
Z	90.00							12.36	12.36	12.36	12.36
<b>MINIMUM H = 12.36</b>											
<b>1 IMC/RIGID</b>		Di. = 1.315	Radius = 6.05		X = 3.54	H = Height					
Y	15.00	0.85	8.58	16.31	24.03	31.76	39.49	51.08	62.67	85.85	132.22
L1	15.00	7.72	15.45	23.17	30.90	38.63	46.36	57.95	69.54	92.72	139.08
L2	15.00	9.30	17.03	24.76	32.48	40.21	47.94	59.53	71.12	94.30	140.67
Z	15.00	12.60	20.06	27.53	34.99	42.45	49.92	61.11	72.31	94.70	139.49
<b>MINIMUM H = 1.33</b>											
Y	22.50		3.99	9.22	14.44	19.67	24.90	32.74	40.57	56.25	87.61
L1	22.50		10.42	15.65	20.87	26.10	31.33	39.17	47.01	62.68	94.04
L2	22.50		12.80	18.02	23.25	28.48	33.70	41.54	49.38	65.06	96.42
Z	22.50		15.60	20.43	25.26	30.09	34.92	42.16	49.40	63.89	92.86
<b>MINIMUM H = 2.28</b>											
Y	30.00		1.52	5.52	9.52	13.52	17.52	23.52	29.52	41.52	65.52
L1	30.00		7.93	11.93	15.93	19.93	23.93	29.93	35.93	47.93	71.93
L2	30.00		11.09	15.09	19.09	23.09	27.09	33.09	39.09	51.09	75.09
Z	30.00		13.71	17.17	20.64	24.10	27.57	32.76	37.96	48.35	69.14
<b>MINIMUM H = 3.39</b>											
Y	45.00			1.51	4.34	7.17	9.99	14.24	18.48	26.97	43.94
L1	45.00				11.05	13.88	16.71	20.95	25.20	33.68	50.65
L2	45.00				15.81	18.63	21.46	25.70	29.95	38.43	55.40
Z	45.00				16.55	18.55	20.55	23.55	26.55	32.55	44.55
<b>MINIMUM H = 6.05</b>											
Y	60.00				1.45	3.75	6.06	9.53	12.99	19.92	33.78
L1	60.00					10.90	13.21	16.67	20.13	27.06	40.92
L2	60.00					17.23	19.54	23.01	26.47	33.40	47.25
Z	60.00					16.30	17.45	19.19	20.92	24.38	31.31
<b>MINIMUM H = 9.12</b>											
Y	90.00						1.75	4.75	7.75	13.75	25.75
L1	90.00								15.40	21.40	33.40
L2	90.00								24.91	30.91	42.91
Z	90.00								15.64	15.64	15.64
<b>MINIMUM H = 15.64</b>											

## Special Bending Information Chart (cont'd)

DIM	ANGLE	2"	4"	6"	8"	10"	12"	15"	18"	24"	36"
<b>1-1/4 IMC/RIGID</b>		Dia. = 1.66		Radius = 7.6		X = 3.95		H = Height			
	Y	15.00	7.30	15.02	22.75	30.48	38.21	49.80	61.39	84.57	130.94
	L1	15.00	7.72	15.44	23.17	30.90	38.63	46.35	57.94	69.54	92.72
	L2	15.00	9.71	17.43	25.16	32.89	40.62	48.34	59.93	71.52	94.71
	Z	15.00	13.42	20.88	28.34	35.81	43.27	50.74	61.93	73.13	95.52
<b>MINIMUM H = 1.54</b>											
	Y	22.50	2.82	8.05	13.27	18.50	23.73	31.57	39.41	55.08	86.44
	L1	22.50	10.41	15.64	20.87	26.09	31.32	39.16	47.00	62.68	94.03
	L2	22.50	13.40	18.62	23.85	29.08	34.30	42.14	49.98	65.66	97.02
	Z	22.50	16.63	21.46	26.29	31.12	35.94	43.19	50.43	64.91	93.89
<b>MINIMUM H = 2.67</b>											
	Y	30.00	0.35	4.35	8.35	12.35	16.35	22.35	28.35	40.35	64.35
	L1	30.00	11.91	15.91	19.91	23.91	29.91	35.91	47.91	71.91	111.91
	L2	30.00	15.89	19.89	23.89	27.89	33.89	39.89	49.89	73.89	113.89
	Z	30.00	18.42	21.88	25.34	28.81	34.00	39.20	49.59	70.38	110.38
<b>MINIMUM H = 4.01</b>											
	Y	45.00	0.21	3.04	5.87	8.70	12.94	17.18	25.67	42.64	70.64
	L1	45.00	10.99	13.82	16.64	20.89	25.13	33.61	50.58	83.58	136.58
	L2	45.00	16.96	19.78	22.61	26.86	31.10	39.58	56.55	93.55	150.55
	Z	45.00	18.25	20.25	22.25	25.25	28.25	34.25	46.25	72.25	118.25
<b>MINIMUM H = 7.25</b>											
	Y	60.00				2.25	4.56	8.02	11.49	18.42	32.27
	L1	60.00				13.04	16.50	19.97	26.90	40.75	64.75
	L2	60.00				21.00	24.46	27.93	34.85	48.71	72.71
	Z	60.00				19.65	21.39	23.12	26.58	33.51	46.51
<b>MINIMUM H = 11.02</b>											
	Y	90.00					2.62	5.62	11.62	23.62	45.62
	L1	90.00							20.74	32.74	54.74
	L2	90.00							32.68	44.68	66.68
	Z	90.00							19.15	31.15	53.15
<b>MINIMUM H = 19.15</b>											
<b>1-1/2 IMC/RIGID</b>		Dia. = 1.9		Radius = 9.27		X = 4.78		H = Height			
	Y	15.00	5.78	13.51	21.24	28.97	36.69	48.28	59.88	83.06	129.42
	L1	15.00	7.71	15.44	23.17	30.9	38.62	46.35	57.94	69.53	92.71
	L2	15.00	10.14	17.87	25.60	33.32	41.05	48.78	60.37	71.96	95.14
	Z	15.00	14.68	22.15	29.61	37.08	44.54	52.01	63.20	74.40	96.79
<b>MINIMUM H = 1.87</b>											
	Y	22.50	1.35	6.57	11.80	17.02	22.25	30.09	37.93	53.61	84.97
	L1	22.50	10.40	15.63	20.86	26.08	31.31	39.15	46.99	62.67	94.03
	L2	22.50	14.05	19.27	24.50	29.72	34.95	42.79	50.63	66.31	97.67
	Z	22.50	18.12	22.95	27.78	32.61	37.44	44.68	51.92	66.41	95.38
<b>MINIMUM H = 3.2</b>											
	Y	30.00	2.84	6.84	10.84	14.84	20.84	26.84	38.84	62.84	102.84
	L1	30.00	11.89	15.89	19.89	23.89	29.89	35.89	47.89	71.89	111.89
	L2	30.00	16.74	20.74	24.74	28.74	34.74	40.74	52.74	76.74	116.74
	Z	30.00	20.14	23.60	27.07	30.53	35.73	40.92	51.32	72.10	113.10
<b>MINIMUM H = 4.87</b>											
	Y	45.00	1.35	4.18	7.01	11.25	15.49	23.98	40.95	67.95	110.95
	L1	45.00	13.74	16.57	20.81	25.06	33.54	50.51	83.51	136.51	223.51
	L2	45.00	21.02	23.85	28.09	32.34	40.82	57.79	90.79	143.79	230.79
	Z	45.00	22.46	24.46	27.46	30.46	36.46	48.46	71.46	114.46	187.46
<b>MINIMUM H = 8.81</b>											
	Y	60.00	0.32	2.63	6.09	9.56	16.48	30.34	53.34	86.34	143.34
	L1	60.00	16.32	19.79	26.72	33.64	40.57	57.54	90.54	133.54	216.54
	L2	60.00	26.03	29.50	36.42	43.34	50.27	67.24	100.24	143.24	226.24
	Z	60.00	24.14	25.88	29.34	32.81	39.74	52.71	75.71	118.71	191.71
<b>MINIMUM H = 13.41</b>											
	Y	90.00	3.00	9.00	21.00	33.00	45.00	63.00	99.00	165.00	279.00
	L1	90.00	20.02	32.02	44.02	62.02	98.02	164.02	278.02	442.02	726.02
	L2	90.00	34.58	46.58	64.58	90.58	136.58	212.58	326.58	512.58	826.58
	Z	90.00	23.32	35.32	47.32	65.32	91.32	137.32	211.32	325.32	511.32
<b>MINIMUM H = 23.32</b>											

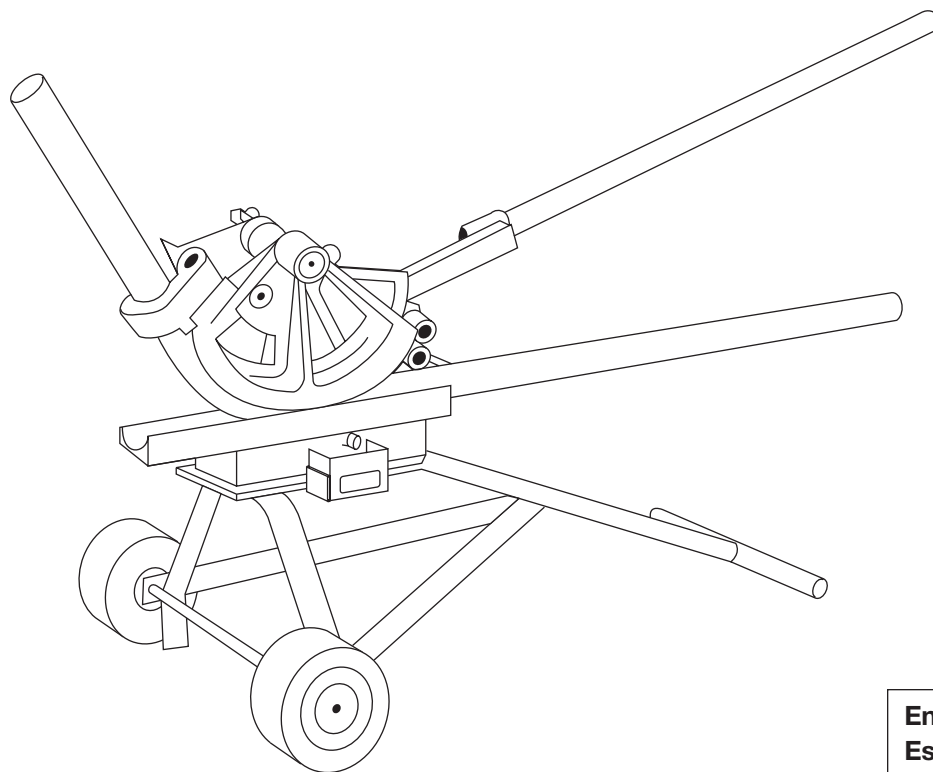


**Special Bending Information Chart (cont'd)**

DIM	ANGLE	2"	4"	6"	8"	10"	12"	15"	18"	24"	36"	
<b>2 IMC/RIGID</b>		Dia. = 2.375		Radius = 10.78		X = 4.35		H = Height				
	Y	15.00		5.10	12.82	20.55	28.28	36.01	47.60	59.19	82.37	128.74
	L1	15.00	7.71	15.44	23.17	30.89	38.62	46.35	57.94	69.53	92.71	139.08
	L2	15.00	10.53	18.26	25.99	33.72	41.44	49.17	60.76	72.35	95.53	141.9
	Z	15.00	14.65	22.12	29.58	37.04	44.51	51.97	63.17	74.37	96.76	141.54
<b>MINIMUM H = 1.86</b>												
	Y	22.50		0.86	6.08	11.31	16.53	21.76	29.60	37.44	53.12	84.48
	L1	22.50		10.40	15.62	20.85	26.08	31.30	39.14	46.98	62.66	94.02
	L2	22.50		14.63	19.86	25.08	30.31	35.54	43.37	51.21	66.89	98.25
	Z	22.50		18.30	23.12	27.95	32.78	37.61	44.85	52.09	66.58	95.55
<b>MINIMUM H = 3.31</b>												
	Y	30.00			2.39	6.39	10.39	14.39	20.39	26.39	38.39	62.39
	L1	30.00			11.87	15.87	19.87	23.87	29.87	35.87	47.87	71.87
	L2	30.00			17.51	21.51	25.51	29.51	35.51	41.51	53.51	77.51
	Z	30.00			20.52	23.98	27.45	30.91	36.11	41.30	51.70	72.48
<b>MINIMUM H = 5.06</b>												
	Y	45.00				0.82	3.65	6.48	10.72	14.96	23.45	40.42
	L1	45.00					13.68	16.51	20.75	24.99	33.48	50.45
	L2	45.00					22.14	24.97	29.22	33.46	41.94	58.91
	Z	45.00					23.28	25.28	28.28	31.28	37.28	49.28
<b>MINIMUM H = 9.39</b>												
	Y	60.00						1.91	5.38	8.84	15.77	29.62
	L1	60.00							16.16	19.63	26.55	40.41
	L2	60.00							27.45	30.91	37.84	51.70
	Z	60.00							25.46	27.19	30.65	37.58
<b>MINIMUM H = 14.55</b>												
	Y	90.00								1.68	7.68	19.68
	L1	90.00										31.37
	L2	90.00										48.31
	Z	90.00										25.91
<b>MINIMUM H = 25.91</b>												



# MANUEL D'INSTRUCTIONS



English ..... 1  
Español ..... 37

## 1818

# Cintreuse mécanique

Toutes cintreuses de numéro de série YY-0000 et au-dessus



Nous vous conseillons de **lire attentivement** et de **bien comprendre** les instructions suivantes avant d'utiliser ou de procéder à l'entretien de cet outil.

Enregistrez votre produit en ligne, [www.greenlee.com](http://www.greenlee.com)

## Table des matières

Description .....	20
Sécurité .....	20
Objet de ce manuel .....	20
Informations de sécurité importantes.....	21
Instructions de cintrage.....	22-26
Données de cintrage spéciales .....	27-29
Tables de données de cintrage spéciales .....	30-35
Illustration .....	55
Nomenclature des pièces.....	56

## Description

### Capacité

- EMT de 3/4 po à 2 po
- IMC de 1/2 po à 1-1/4 po
- Conduit rigide galvanisé de 1/2 po à 1-1/2 po
- Conduit rigide aluminium (seulement) de 2 po

*Remarque : le rayon de cintrage est clairement marqué sur chaque sabot de cintrage.*

La cintreuse mécanique 1818 est conçue pour offrir des années de service fiable.

Les caractéristiques suivantes font de la cintreuse 1818 l'un des outils les plus utiles et polyvalents sur le marché.

- Cliquet intégré — permet d'appliquer des coups courts et puissants pour effectuer un cintrage plus rapide.
- Guide de positionnement de sabot — facilite le chargement. La rotation du sabot est restreinte.
- Indicateur de degrés de cintrage — permet d'assurer des cintrages toujours exacts.
- Rails suiveurs — produit des cintrages réguliers de tubes EMT de 1-1/4 po, 1-1/2 po et 2 po sans pli ni cassure.
- Roues en caoutchouc — déplacements faciles à l'atelier ou sur le chantier.
- Châssis robuste — tient la cintreuse en place durant le cintrage.
- Mode de cintrage rapide — actionnement sans cliquet pour le cintrage de conduits de petite section.

### Ce qui fait la supériorité de la cintreuse 1818

- Ne nécessite aucune caisse de rangement. Tous les sabots peuvent être rangés sur la cintreuse.
- Remarque : les rails suiveurs, les galets et les broches se placent dans la cintreuse et l'ensemble peut être enchaîné à un poteau pour la sécurité.*
- Le chariot minimise le fléchissement lors du cintrage de conduits de grande section.
  - Le châssis en acier ne nécessite pas de barre d'amarrage pour soutenir le système de cintrage.
  - L'ensemble sabot et segment à rochet est automatiquement retenu par le bouton de friction durant le chargement du conduit. Ce système de blocage se dégage automatiquement.
  - Le châssis accepte les sabots, le galet de calage et les rails suiveurs 1818 existants.

## Sécurité

Lors de l'utilisation et de l'entretien des outils et de l'équipement de Greenlee, votre sécurité est une priorité. En suivant les instructions de ce manuel et celles inscrites sur l'outil, vous pourrez éliminer les risques et les dangers liés à son utilisation. Respectez toutes les consignes de sécurité.

## Objet de ce manuel

Ce manuel d'instructions a pour objet de familiariser le personnel avec les procédures préconisées pour une utilisation et un entretien sans danger de la cintreuse mécanique 1818 de Greenlee.

Mettez ce manuel à la disposition de tous les employés.

On peut obtenir des exemplaires gratuits sur simple demande [www.greenlee.com](http://www.greenlee.com).

Toutes les spécifications sont nominales et peuvent changer avec l'amélioration de la conception. Greenlee Tools, Inc. ne peut être tenue responsable des dommages résultant d'une application inappropriée ou d'un mauvais usage de ses produits.

# CONSERVEZ CE MANUEL

## INFORMATIONS DE SÉCURITÉ IMPORTANTES



### SYMBOLE D'AVERTISSEMENT

Ce symbole met en garde contre les risques et les manipulations dangereuses pouvant entraîner des blessures ou l'endommagement du matériel. Le mot indicateur, défini ci-dessous, indique la gravité du danger. Le message qui suit le mot indicateur indique comment empêcher le danger.

#### **⚠ DANGER**

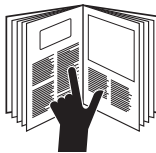
Danger immédiat qui, s'il n'est pas pris en considération ENTRAÎNERA des blessures graves, voire mortelles.

#### **⚠ AVERTISSEMENT**

Danger qui, s'il n'est pas pris en considération, POURRAIT entraîner des blessures graves, voire mortelles.

#### **⚠ ATTENTION**

Dangers ou manipulations dangereuses qui, s'ils ne sont pas pris en considération, POURRAIENT EVENTUELLEMENT entraîner des dommages à la propriété ou causer des blessures.



#### **⚠ AVERTISSEMENT**

Nous vous conseillons de lire attentivement et de bien comprendre les instructions suivantes avant d'utiliser ou de procéder à l'entretien de cet outil.

Le non-respect de cette mise en garde peut entraîner des blessures graves ou la mort.



#### **⚠ AVERTISSEMENT**

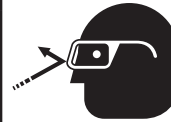
Ne pas laisser le manche de cliquet en position HAUTE lorsque la cintreuse n'est pas utilisée. Un manche laissé en position haute peut chuter de façon soudaine.



#### **⚠ AVERTISSEMENT**

Points de pincement :

Tenir les mains à l'écart des pièces mobiles et du conduit durant le cintrage. Le non-respect de cette mise en garde peut entraîner des blessures graves.



#### **⚠ AVERTISSEMENT**

Porter une protection oculaire durant l'utilisation de la cintreuse. L'absence de protection oculaire peut entraîner des lésions oculaires graves causées par des projections de débris.

#### **⚠ ATTENTION**

- Garder le contrôle du conduit lors de son déchargement de la cintreuse. Le conduit peut chuter et heurter l'opérateur ou d'autres personnes présentes.
- Tenir fermement le manche durant le cintrage. L'élasticité du conduit peut empêcher le cliquet de s'engager complètement, ce qui peut provoquer un mouvement soudain du manche vers le haut.
- Déposer le manche et le conduit avant de déplacer la cintreuse. Tenir fermement la poignée en té du châssis des deux mains pour empêcher la cintreuse de basculer.
- Contrôler la cintreuse avant chaque utilisation. Changer tous les éléments usés, endommagés ou manquants par des pièces de rechange Greenlee. Un outil endommagé ou mal assemblé peut se casser et blesser les personnes proches.
- Suivre des pratiques appropriées pour soulever la cintreuse. La cintreuse pèse plus de 34 kg (75 lb) et plusieurs personnes sont nécessaires pour la soulever.

Le non-respect de ces précautions peut entraîner des blessures.

#### **⚠ ATTENTION**

Utiliser ce produit exclusivement aux fins prévues par le fabricant. Tout emploi autre que celui décrit dans ce manuel peut entraîner des blessures ou des dégâts matériels.

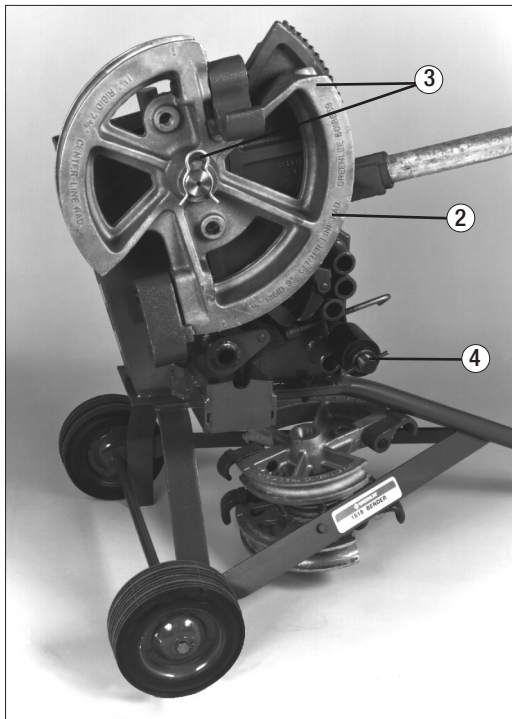
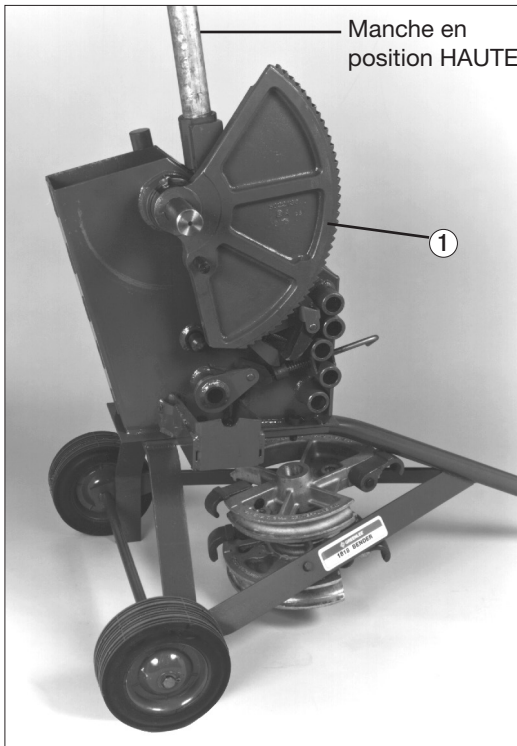
## Instructions de cintrage :

**EMT de 3/4 po à 1 po**  
**IMC de 1/2 po à 1-1/4 po**  
**Rigide de 1/2 po à 1-1/2 po**  
**Conduit aluminium rigide de 2 po**

En guise de manche, utiliser une longueur de 1,5 m de conduit rigide de 1-1/4 po (32 mm); bloquer avec une vis de calage.

1. Faire tourner le segment à rochet dans le sens inverse des aiguilles d'une montre jusqu'en position de chargement (LOAD). Le bouton de friction ressort et empêche le segment de tourner dans le sens du cintrage.

*Remarque : le manche du cliquet doit être amené jusqu'en position HAUTE pour libérer le loquet et écarter les griffes du segment. Il peut être nécessaire de tourner légèrement le segment dans le sens des aiguilles d'une montre pour libérer la griffe de blocage.*

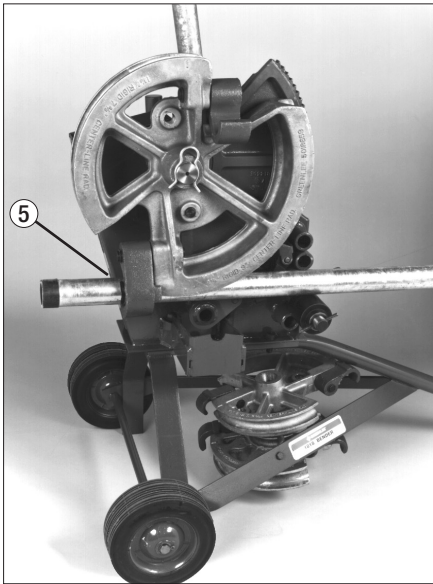


### **⚠ AVERTISSEMENT**

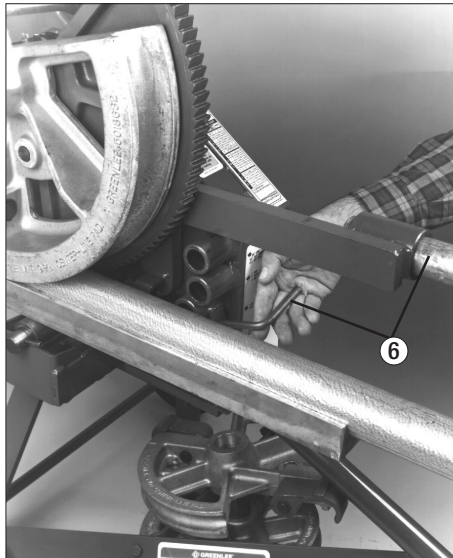
Ne pas laisser le manche de cliquet en position HAUTE lorsque la cintreuse n'est pas utilisée. Un manche laissé en position haute peut chuter de façon soudaine.

2. Sélectionner le sabot de cintrage correct (la taille et le type de conduit sont indiqués sur le sabot).
3. Placer le sabot de cintrage sur l'arbre de pivotement et aligner la broche d'entraînement du segment avec l'orifice du sabot. Encliqueter la goupille élastique sur l'arbre.
4. Placer le galet de calage sur la broche de galet et l'insérer dans l'orifice qui convient, tel qu'indiqué sur l'autocollant du châssis de la cintreuse.

## Instructions de cintrage (suite)

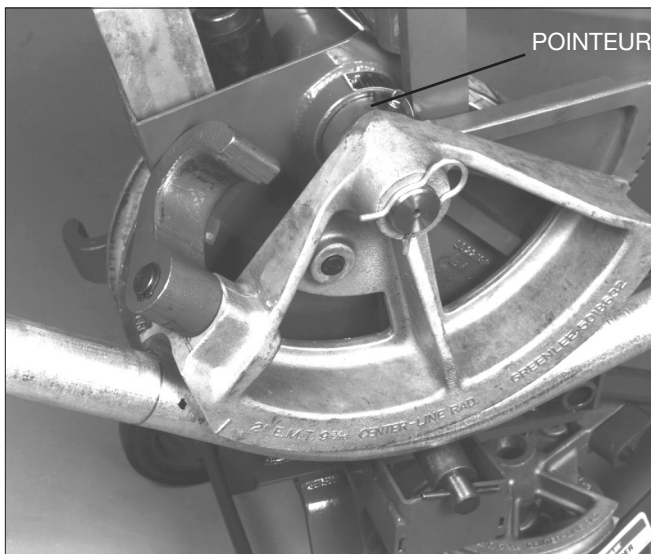


5. Placer le conduit dans la cintreuse conformément à l'illustration sur le sabot et aligner les repères de cintrage avec le bord avant du crochet.



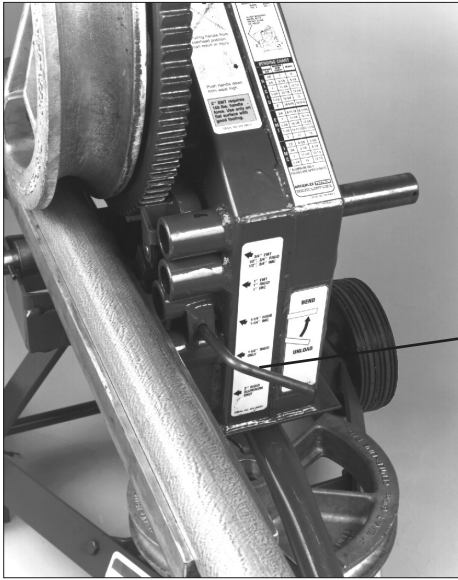
6. Abaisser le manche de cliquet jusqu'en position horizontale puis tourner la poignée de commande de cintrage jusqu'en position BEND.

*Remarque : régler le pointeur sur zéro, le conduit étant serré contre le crochet du patin. L'indicateur ne compense pas l'élasticité du conduit*



7. Pomper le manche pour amener le sabot de cintrage jusqu'à l'angle souhaité, indiqué par le pointeur.

## Instructions de cintrage (suite)



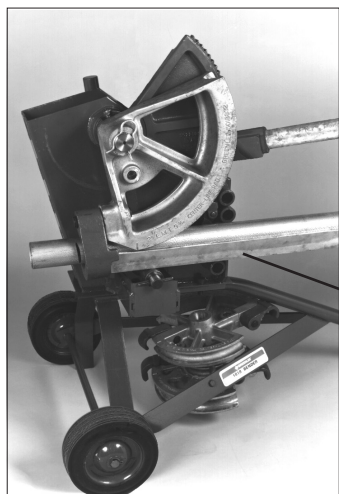
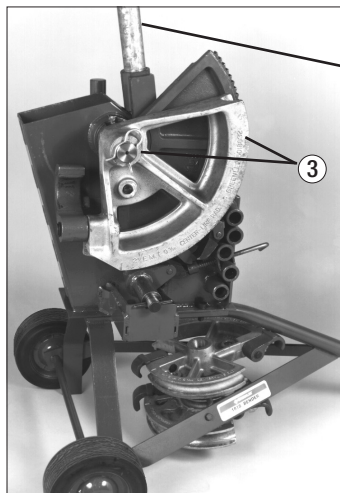
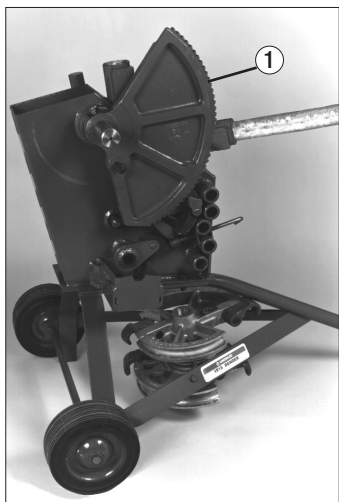
8. Mettre le manche de cliquet en position HAUTE. La poignée de commande de cintrage revient automatiquement en position de dégagement (RELEASE). Ramener ensuite le manche de cliquet vers le bas jusqu'en position de cintrage puis appuyer pour libérer la griffe de blocage. Après le déclic, remettre le manche de cliquet en position HAUTE. Le sabot et le segment peuvent alors être tournés pour sortir le conduit cintré.

Poignée de commande de cintrage en position de dégagement.



### ⚠️ AVERTISSEMENT

Ne pas laisser le manche de cliquet en position HAUTE lorsque la cintreuse n'est pas utilisée. Un manche laissé en position haute peut chuter de façon soudaine.



## Instructions de cintrage :

### EMT de 1-1/4 po à 2 po

1. Faire tourner le segment à rochet dans le sens inverse des aiguilles d'une montre jusqu'en position de chargement (LOAD). Le bouton de friction ressort et empêche le segment de tourner dans le sens du cintrage.

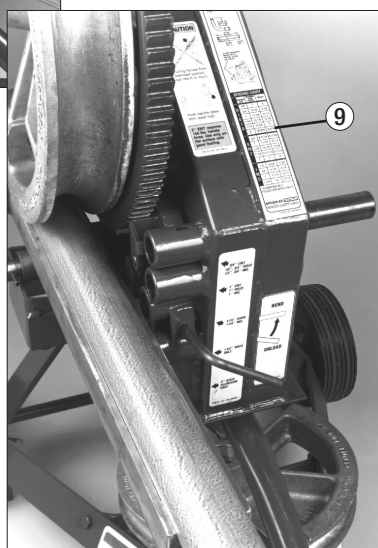
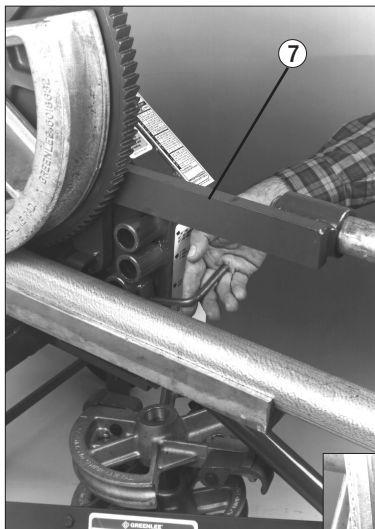
En guise de manche, utiliser une longueur de 1,5 m de conduit rigide de 1-1/4 po (32 mm); bloquer avec une vis de calage.

*Remarque : le manche du cliquet doit être amené jusqu'en position HAUTE pour libérer le loquet et écarter les griffes du segment. Il peut être nécessaire de tourner légèrement le segment dans le sens des aiguilles d'une montre pour libérer la griffe de blocage.*

2. Sélectionner le sabot de cintrage correct (la taille et le type de conduit sont indiqués sur le sabot).
3. Placer le sabot de cintrage sur l'arbre de pivotement et aligner la broche d'entraînement du segment avec l'orifice du sabot. Encliqueter la goupille élastique sur l'arbre.
4. Placer le galet en acier face à l'orifice avant et au support extérieur. Introduire la broche de retenue du galet.
5. Placer le rail suiveur comme sur l'illustration.
6. Placer le conduit dans la cintreuse comme sur l'illustration sabot et aligner le repère de cintrage avec le bord avant du crochet.



## Instructions de cintrage (suite)



7. Abaisser le manche de cliquet jusqu'en position horizontale puis tourner la poignée de commande de cintrage jusqu'en position BEND.

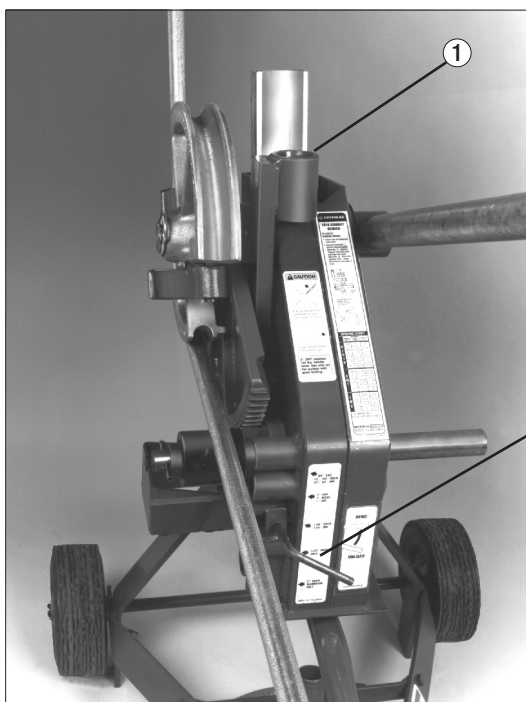
*Remarque : régler le pointeur sur zéro, le conduit étant serré contre le crochet du patin. L'indicateur ne compense pas l'élasticité du conduit.*

8. Pomper le manche pour amener le sabot de cintrage jusqu'à l'angle souhaité, indiqué par le pointeur.
9. Mettre le manche de cliquet en position HAUTE. La poignée de commande de cintrage revient automatiquement en position de dégagement (RELEASE). Ramener ensuite le manche de cliquet vers le bas jusqu'en position de cintrage puis appuyer pour libérer la griffe de blocage. Après le déclic, remettre le manche de cliquet en position HAUTE. Le sabot et le segment peuvent alors être tournés pour sortir le conduit cintré.



### **⚠ AVERTISSEMENT**

Ne pas laisser le manche de cliquet en position HAUTE lorsque la cintreuse n'est pas utilisée. Un manche laissé en position haute peut chuter de façon soudaine.



### **Cintrage rapide de tubes de 1/2 po, 3/4 po et 1 po**

1. Mettre le manche de cliquet en position HAUTE. Déposer le manche de cliquet après avoir desserré sa vis de calage. Placer le manche sur l'ergot de l'arbre de pivotement. Tirer le manche vers le bas jusqu'à obtenir le cintrage souhaité.
2. Pour décharger la cintreuse, ramener le manche en position HAUTE et enlever le conduit.

*Remarque : la poignée de commande de cintrage reste en position de dégagement durant le cintrage avec le manche en position de cintrage rapide.*

**Instructions de cintrage (suite)**
**Placement des repères de cintrage**

1. Voir la longueur de colonne minimale dans le tableau.
2. Mesurer et marquer la longueur de colonne souhaitée sur le conduit (repère n° 1). Retrancher la longueur « Déduction » de ce repère et faire une nouvelle marque (repère n° 2). C'est le repère de cintrage. Placer ce repère sur le bord avant du crochet.

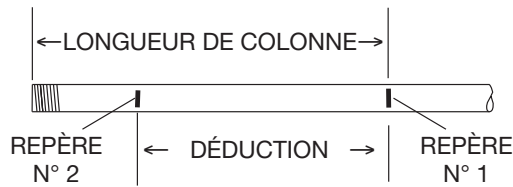
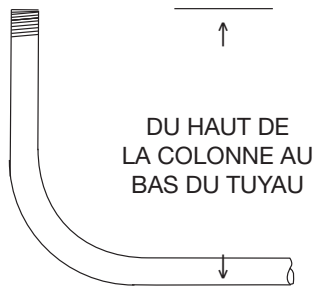
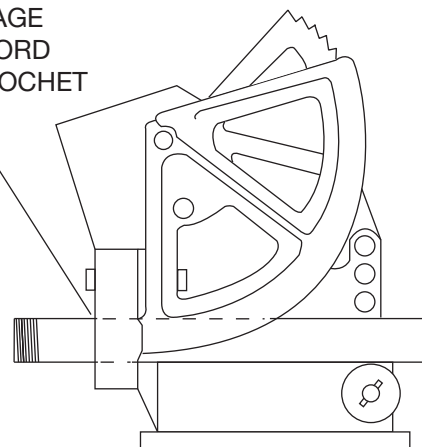


Tableau de cintrage			
	Taille de conduit	Longueur de colonne minimale	Déduction
<b>R I G I D E</b>	1/2	7	6
	3/4	9-1/8	8-1/8
	1	11-1/4	10-1/4
	1-1/4	13-7/8	12-3/8
	1-1/2	16-3/4	15
<b>E M T</b>	2*	18-5/16	16-5/16
	3/4	9-11/16	8-11/16
	1	11-1/4	10-1/4
	1-1/4	14-1/8	12-5/8
	1-1/2	14-11/16	12-15/16
<b>I M C</b>	2	17	15
	1/2	6-5/8	5-5/8
	3/4	9-1/8	8-1/8
	1	11-1/4	10-1/4
	1-1/4	14	12-1/2

\* ALUMINIUM SEULEMENT  
LES VALEURS SONT APPROXIMATIVES

ALIGNER LE REPÈRE  
DE CINTRAGE  
AVEC LE BORD  
AVANT DU CROCHET

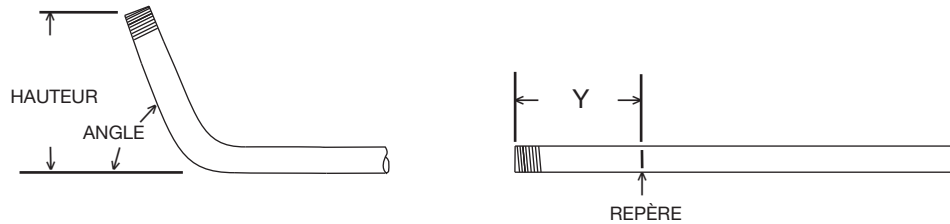


## Données de cintrage spéciales

### Préparation des cintrages

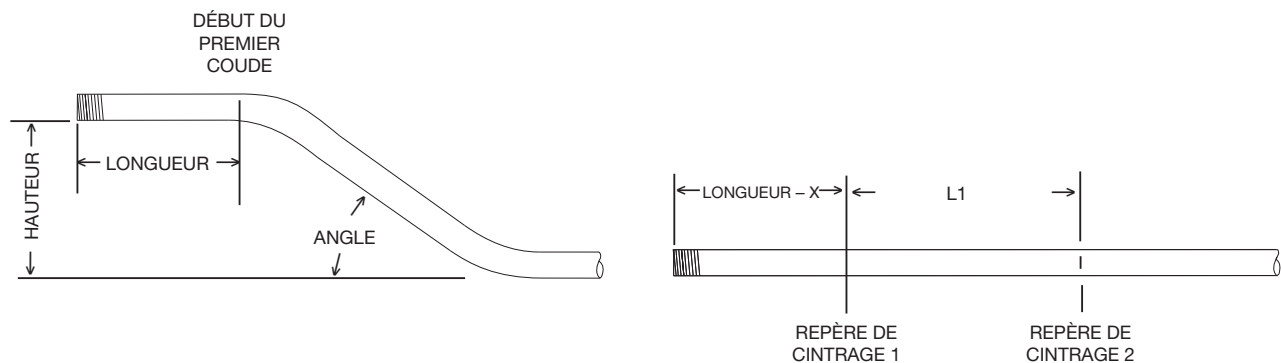
La méthode ci-dessous décrit comment établir les points de départs des différents types de cintrage. Elle offre des mesures très précises pour les hauteurs et les angles de cintrage les plus couramment utilisés.

#### Colonnes :



1. Consulter la table correspondant à la taille et au type de conduit devant être cintré aux pages suivantes.
2. Trouver l'angle de cintrage souhaité dans la colonne ANGLE.
3. Sur la ligne Y correspondante, choisir la valeur qui est dans la colonne de la hauteur (H) souhaitée.
4. Tracer un repère à cette distance depuis l'extrémité du conduit.
5. Pour effectuer le cintrage, placer ce repère face au bord avant du crochet.

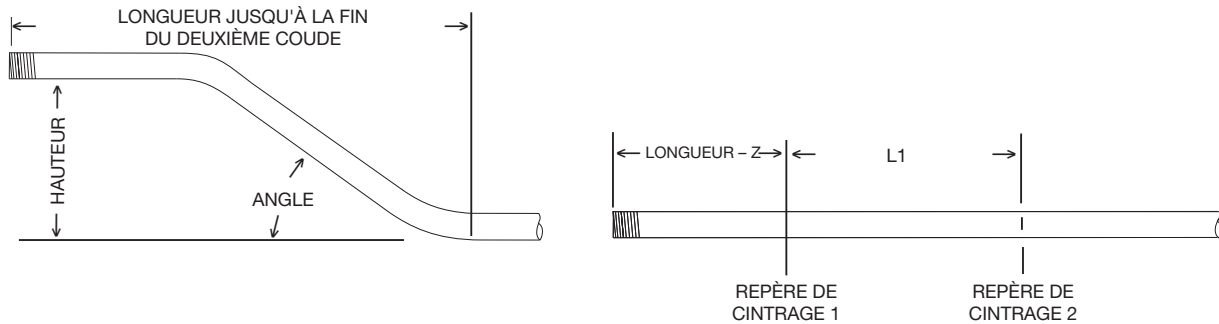
#### Décalages : (contrôle du début du premier cintrage)



1. Retrancher la dimension X indiquée pour la taille du conduit à cintrer de la longueur souhaitée.
2. Tracer le premier repère à cette distance par rapport à l'extrémité du conduit.
3. Consulter la table correspondant à la taille et au type de conduit devant être cintré aux pages suivantes.
4. Trouver les angles de cintrage souhaités dans la colonne ANGLE.
5. Sur la ligne L1 correspondante, choisir la valeur qui est dans la colonne de la hauteur (H) souhaitée.
6. Tracer un second repère à cette distance depuis le premier repère.
7. Effectuer le premier cintrage en plaçant le premier repère face au bord avant du crochet et le second cintrage en plaçant le second repère face au bord avant du crochet.

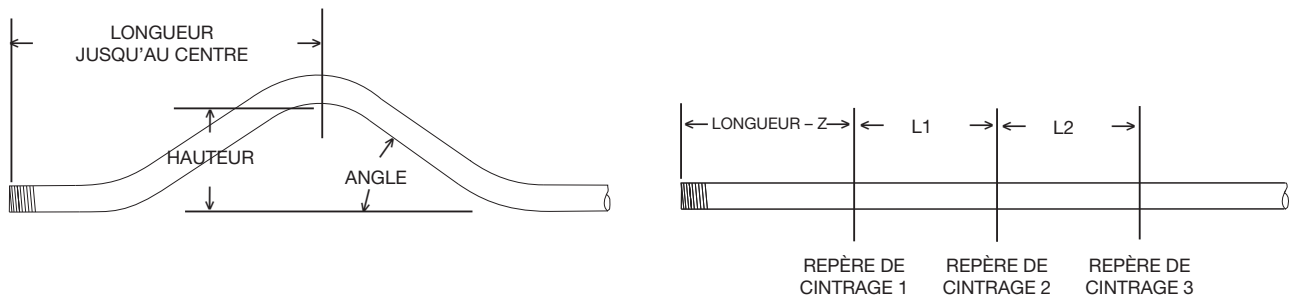
## Données de cintrage spéciales (suite)

### Décalages : (contrôle de la fin du second cintrage)



1. Consulter la table correspondant à la taille et au type de conduit devant être cintré aux pages suivantes.
2. Trouver l'angle de cintrage souhaité dans la colonne ANGLE.
3. Sur la ligne Z correspondante, choisir la valeur qui est dans la colonne de la hauteur (H) souhaitée.
4. Retrancher cette dimension Z de la longueur souhaitée.
5. Tracer le premier repère à cette distance par rapport à l'extrémité du conduit.
6. Sur la ligne L1 correspondante, choisir la valeur qui est dans la colonne de la hauteur (H) souhaitée.
7. Tracer un second repère à cette distance depuis le premier repère.
8. Effectuer le premier cintrage en plaçant le premier repère face au bord avant du crochet et le second cintrage en plaçant le second repère face au bord avant du crochet.

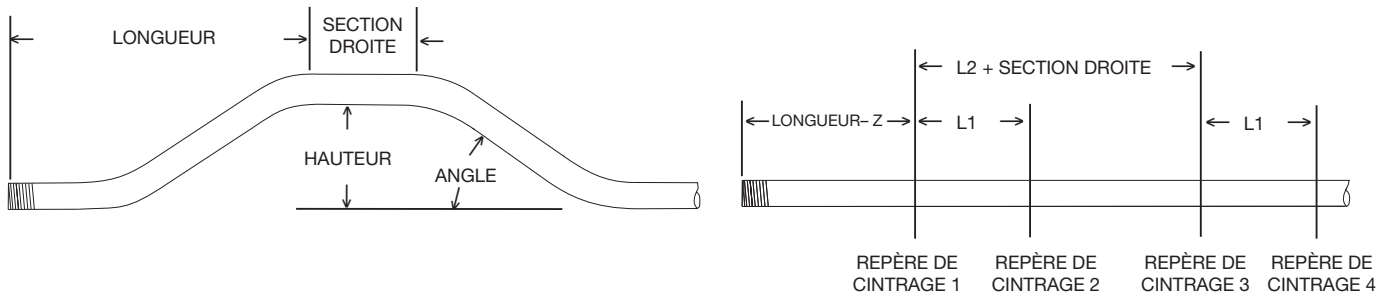
### Dos d'âne à 3 coudes



1. Consulter la table correspondant à la taille et au type de conduit devant être cintré aux pages suivantes.
2. Trouver l'angle de cintrage souhaité dans la colonne ANGLE.
3. Sur la ligne Z correspondante, choisir la valeur qui est dans la colonne de la hauteur (H) souhaitée.
4. Retrancher cette dimension Z de la longueur souhaitée.
5. Tracer le premier repère à cette distance par rapport à l'extrémité du conduit.
6. Sur la ligne L1 correspondante, choisir la valeur qui est dans la colonne de la hauteur (H) souhaitée.
7. Tracer un second repère à cette distance depuis le premier repère.
8. Sur la ligne L2 correspondante, choisir la valeur qui est dans la colonne de la hauteur (H) souhaitée.
9. Tracer un troisième repère à cette distance depuis le second repère.
10. Effectuer le premier cintrage en plaçant le premier repère face au bord avant du crochet et le second cintrage en plaçant le second repère face au bord avant du crochet. Veiller à ce que le second cintrage soit le double du premier cintrage. Effectuer le troisième cintrage en plaçant le troisième repère face au bord avant du crochet.

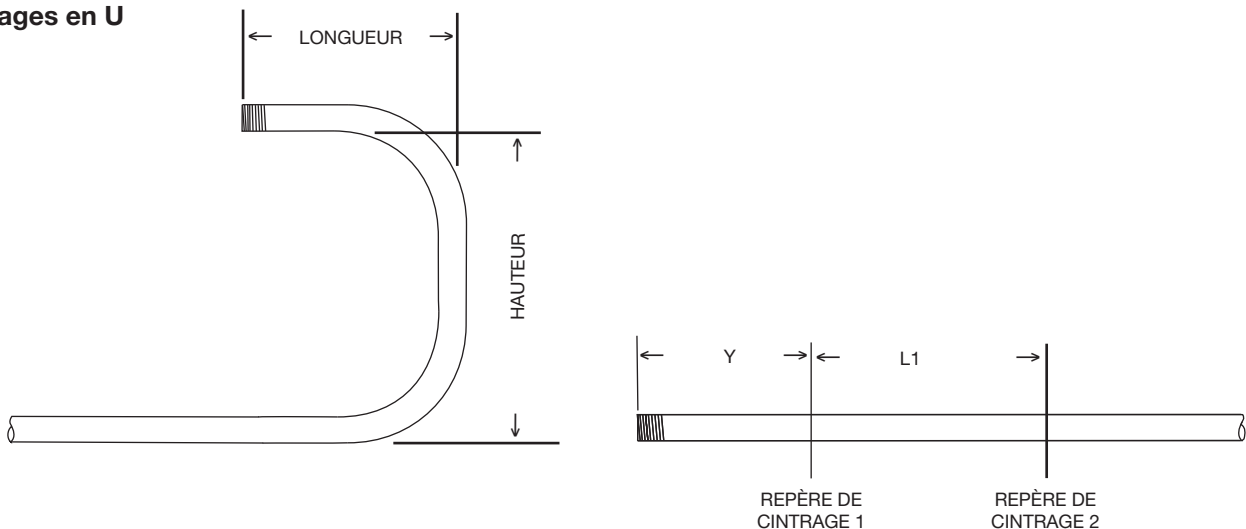
## Données de cintrage spéciales (suite)

### Dos d'âne à 4 coudes avec section droite



1. Consulter la table correspondant à la taille et au type de conduit devant être cintré aux pages suivantes.
2. Trouver l'angle de cintrage souhaité dans la colonne ANGLE.
3. Sur la ligne Z correspondante, choisir la valeur qui est dans la colonne de la hauteur (H) souhaitée.
4. Retrancher cette dimension Z de la longueur souhaitée.
5. Tracer le premier repère à cette distance par rapport à l'extrémité du conduit.
6. Sur la ligne L1 correspondante, choisir la valeur qui est dans la colonne de la hauteur (H) souhaitée.
7. Tracer un second repère à cette distance depuis le premier repère.
8. Sur la ligne L2 correspondante, choisir la valeur qui est dans la colonne de la hauteur (H) souhaitée.
9. Ajouter cette valeur L2 à la longueur de section droite souhaitée.
10. Tracer un troisième repère à cette distance depuis le premier repère.
11. Reprendre la dimension L1 utilisée plus haut.
12. Tracer un quatrième repère à cette distance depuis le troisième repère.
13. Effectuer les quatre cintrages en plaçant chacun des repères respectifs face au bord avant du crochet.

### Cintrages en U



1. Consulter la table correspondant à la taille et au type de conduit devant être cintré.
2. Trouver la valeur 90 degrés dans la colonne ANGLE.
3. Sur la ligne Y correspondante, choisir la valeur qui est dans la colonne de la longueur (L) souhaitée.
4. Tracer le premier repère à cette distance par rapport à l'extrémité du conduit.
5. Sur la ligne L1 correspondante, choisir la valeur qui est dans la colonne de la hauteur (H) souhaitée.
6. Tracer un second repère à cette distance depuis le premier repère.
7. Effectuer le premier cintrage en plaçant le premier repère face au bord avant du crochet et le second cintrage en plaçant le second repère face au bord avant du crochet.

**Table de données de cintrage spéciales**

	DIM	ANGLE	2"	4"	6"	8"	10"	12"	15"	18"	24"	36"
<b>3/4 EMT</b>			Dia. = 0,922		Rayon = 5,25		X = 2,98		H = Hauteur			
	Y	15,00	2,28	10,00	17,73	25,46	33,18	40,91	52,50	64,09	87,28	133,64
	L1	15,00	7,72	15,45	23,17	30,90	38,63	46,36	57,95	69,54	92,72	139,09
	L2	15,00	9,09	16,82	24,55	32,28	40,00	47,73	59,32	70,91	94,10	140,46
	Z	15,00	11,83	19,29	26,75	34,22	41,68	49,15	60,34	71,54	93,93	138,72
<b>H MINIMUM = 1,13</b>												
	Y	22,50		5,22	10,45	15,68	20,90	26,13	33,97	41,81	57,49	88,84
	L1	22,50	5,20	10,43	15,65	20,88	26,10	31,33	39,17	47,01	62,69	94,05
	L2	22,50	7,26	12,49	17,71	22,94	28,17	33,39	41,23	49,07	64,75	96,11
	Z	22,50	9,90	14,73	19,55	24,38	29,21	34,04	41,28	48,52	63,01	91,98
<b>H MINIMUM = 1,94</b>												
	Y	30,00		2,69	6,69	10,69	14,69	18,69	24,69	30,69	42,69	66,69
	L1	30,00		7,94	11,94	15,94	19,94	23,94	29,94	35,94	47,94	71,94
	L2	30,00		10,68	14,68	18,68	22,68	26,68	32,68	38,68	50,68	74,68
	Z	30,00		12,72	16,19	19,65	23,11	26,58	31,77	36,97	47,36	68,15
<b>H MINIMUM = 2,90</b>												
	Y	45,00			2,68	5,51	8,34	11,16	15,41	19,65	28,13	45,11
	L1	45,00			8,26	11,09	13,92	16,74	20,99	25,23	33,72	50,69
	L2	45,00			12,38	15,21	18,04	20,87	25,11	29,35	37,84	54,81
	Z	45,00			13,33	15,33	17,33	19,33	22,33	25,33	31,33	43,33
<b>H MINIMUM = 5,18</b>												
	Y	60,00			0,38	2,69	5,00	7,31	10,78	14,24	21,17	35,03
	L1	60,00				8,67	10,98	13,29	16,76	20,22	27,15	41,00
	L2	60,00				14,17	16,48	18,79	22,25	25,72	32,65	46,50
	Z	60,00				13,66	14,82	15,97	17,70	19,43	22,90	29,83
<b>H MINIMUM = 7,83</b>												
	Y	90,00					1,31	3,31	5,31	9,31	15,31	27,31
	L1	90,00							12,75	15,75	21,75	33,75
	L2	90,00							20,99	23,99	29,99	41,99
	Z	90,00							13,48	13,48	13,48	13,48
<b>H MINIMUM = 13,48</b>												
<b>1 EMT</b>			Dia. = 1,163		Rayon = 6,6		X = 3,07		H = Hauteur			
	Y	15,00	1,54	9,27	17,00	24,72	32,45	40,18	51,77	63,36	86,54	132,91
	L1	15,00	7,72	15,44	23,17	30,90	38,63	46,35	57,95	69,54	92,72	139,08
	L2	15,00	9,45	17,17	24,90	32,63	40,35	48,08	59,67	71,26	94,45	140,81
	Z	15,00	12,27	19,74	27,20	34,66	42,13	49,59	60,79	71,98	94,38	139,16
<b>H MINIMUM = 1,24</b>												
	Y	22,50		4,55	9,78	15,00	20,23	25,46	33,29	41,13	56,81	88,17
	L1	22,50		10,42	15,64	20,87	26,10	31,32	39,16	47,00	62,68	94,04
	L2	22,50		13,01	18,24	23,46	28,69	33,92	41,75	49,59	65,27	96,63
	Z	22,50		15,35	20,18	25,01	29,84	34,67	41,91	49,15	63,64	92,61
<b>H MINIMUM = 2,18</b>												
	Y	30,00		2,00	6,00	10,00	14,00	18,00	24,00	30,00	42,00	66,00
	L1	30,00		7,92	11,92	15,92	19,92	23,92	29,92	35,92	47,92	71,92
	L2	30,00		11,37	15,37	19,37	23,37	27,37	33,37	39,37	51,37	75,37
	Z	30,00		13,54	17,00	20,46	23,93	27,39	32,59	37,78	48,18	68,96
<b>H MINIMUM = 3,30</b>												
	Y	45,00			1,86	4,69	7,52	10,34	14,59	18,83	27,31	44,29
	L1	45,00				11,03	13,86	16,69	20,93	25,17	33,66	50,63
	L2	45,00			13,38	16,21	19,04	21,87	26,11	30,36	38,84	55,81
	Z	45,00			14,54	16,54	18,54	20,54	23,54	26,54	32,54	44,54
<b>H MINIMUM = 6,04</b>												
	Y	60,00				1,69	4,00	6,30	9,77	13,23	20,16	34,02
	L1	60,00					10,84	13,15	16,61	20,08	27,00	40,86
	L2	60,00					17,75	20,06	23,52	26,99	33,91	47,77
	Z	60,00					16,46	17,62	19,35	21,08	24,55	31,48
<b>H MINIMUM = 9,26</b>												
	Y	90,00						1,75	4,75	7,75	13,75	25,75
	L1	90,00								15,17	21,17	33,17
	L2	90,00								25,53	31,53	43,53
	Z	90,00								16,27	16,27	16,27
<b>H MINIMUM = 16,27</b>												

**Table de données de cintrage spéciales (suite)**

	DIM	ANGLE	2"	4"	6"	8"	10"	12"	15"	18"	24"	36"
<b>1-1/4 EMT</b>		Dia. = 1,51		Rayon = 8,53		X = 3,34		H = Hauteur				
	Y	15,00	0,35	8,07	15,80	23,53	31,26	38,98	50,58	62,17	85,35	131,71
	L1	15,00	7,71	15,44	23,17	30,90	38,62	46,35	57,94	69,53	92,72	139,08
	L2	15,00	9,95	17,68	25,40	33,13	40,86	48,58	60,18	71,77	94,95	141,31
	Z	15,00	13,05	20,51	27,98	35,44	42,91	50,37	61,57	72,76	95,16	139,94
<b>H MINIMUM = 1,45</b>												
	Y	22,50		3,44	8,67	13,90	19,12	24,35	32,19	40,03	55,71	87,06
	L1	22,50		10,41	15,64	20,86	26,09	31,31	39,15	46,99	62,67	94,03
	L2	22,50		13,76	18,98	24,21	29,44	34,66	42,50	50,34	66,02	97,38
	Z	22,50		16,39	21,22	26,05	30,88	35,70	42,95	50,19	64,67	93,65
<b>H MINIMUM = 2,58</b>												
	Y	30,00		0,86	4,86	8,86	12,86	16,86	22,86	28,86	40,86	64,86
	L1	30,00		7,90	11,90	15,90	19,90	23,90	29,90	35,90	47,90	71,90
	L2	30,00		12,36	16,36	20,36	24,36	28,36	34,36	40,36	52,36	76,36
	Z	30,00		14,84	18,30	21,77	25,23	28,70	33,89	39,09	49,48	70,27
<b>H MINIMUM = 3,96</b>												
	Y	45,00			0,54	3,37	6,20	9,03	13,27	17,51	26,00	42,97
	L1	45,00				10,95	13,78	16,60	20,85	25,09	33,57	50,54
	L2	45,00				17,65	20,47	23,30	27,55	31,79	40,27	57,24
	Z	45,00				18,41	20,41	22,41	25,41	28,41	34,41	46,41
<b>H MINIMUM = 7,36</b>												
	Y	60,00				0,10	2,41	4,72	8,18	11,65	18,58	32,43
	L1	60,00						12,94	16,40	19,87	26,80	40,65
	L2	60,00						21,87	25,34	28,80	35,73	49,58
	Z	60,00						20,12	21,85	23,58	27,05	33,97
<b>H MINIMUM = 11,42</b>												
	Y	90,00							2,38	5,38	11,38	23,38
	L1	90,00									20,34	32,34
	L2	90,00									33,74	45,74
	Z	90,00									20,40	20,40
<b>H MINIMUM = 20,4</b>												
<b>1-1/2 EMT</b>		Dia. = 1,74		Rayon = 8,53		X = 3,54		H = Hauteur				
	Y	15,00		7,43	15,16	22,89	30,61	38,34	49,93	61,52	84,7	131,07
	L1	15,00	7,71	15,44	23,17	30,90	38,62	46,35	57,94	69,53	92,72	139,08
	L2	15,00	9,95	17,68	25,40	33,13	40,86	48,58	60,18	71,77	94,95	141,31
	Z	15,00	13,25	20,71	28,18	35,64	43,11	50,57	61,77	72,96	95,36	140,14
<b>H MINIMUM = 1,50</b>												
	Y	22,50		2,94	8,17	13,39	18,62	23,85	31,69	39,53	55,2	86,56
	L1	22,50		10,41	15,64	20,86	26,09	31,31	39,15	46,99	62,670	94,03
	L2	22,50		13,76	18,98	24,21	29,44	34,66	42,5	50,34	66,02	97,38
	Z	22,50		16,59	21,42	26,25	31,08	35,9	43,15	50,39	64,87	93,85
<b>H MINIMUM = 2,65</b>												
	Y	30,00			4,43	8,43	12,43	16,43	22,43	28,43	40,43	64,43
	L1	30,00			11,90	15,90	19,90	23,90	29,90	35,90	47,90	71,90
	L2	30,00			16,36	20,36	24,36	28,36	34,36	40,36	52,36	76,36
	Z	30,00			18,50	21,97	25,43	28,90	34,09	39,29	49,68	70,47
<b>H MINIMUM = 4,06</b>												
	Y	45,00			0,18	3,01	5,84	8,67	12,91	17,15	25,64	42,61
	L1	45,00				10,95	13,78	16,60	20,85	25,09	33,57	50,54
	L2	45,00				17,65	20,47	23,30	27,55	31,79	40,27	57,24
	Z	45,00				18,61	20,61	22,61	25,61	28,61	34,61	46,61
<b>H MINIMUM = 7,50</b>												
	Y	60,00					2,08	4,39	7,85	11,32	18,24	32,10
	L1	60,00						12,94	16,40	19,87	26,80	40,65
	L2	60,00						21,87	25,34	28,80	35,73	49,58
	Z	60,00						20,32	22,05	23,78	27,25	34,17
<b>MINIMUM= 11,60</b>												
	Y	90,00							2,06	5,06	11,06	23,06
	L1	90,00									20,34	32,34
	L2	90,00									33,74	45,74
	Z	90,00									20,6	20,60
<b>H MINIMUM = 20,6</b>												

**Table de données de cintrage spéciales (suite)**

	DIM	ANGLE	2"	4"	6"	8"	10"	12"	15"	18"	24"	36"
<b>2 EMT</b>			Dia. = 2,2		Rayon = 9,46		X = 4,44		H = Hauteur			
	Y	15,00		5,52	13,25	20,97	28,70	36,43	48,02	59,61	82,79	129,16
	L1	15,00	7,71	15,44	23,17	30,90	38,62	46,35	57,94	69,53	92,71	139,08
	L2	15,00	10,19	17,92	25,64	33,37	41,10	48,83	60,42	72,01	95,19	141,56
	Z	15,00	14,39	21,86	29,32	36,79	44,25	51,72	62,91	74,11	96,50	141,28
<b>H MINIMUM = 1,80</b>												
	Y	22,50		1,26	6,48	11,71	16,94	22,16	30,00	37,84	53,52	84,88
	L1	22,50		10,40	15,63	20,86	26,08	31,31	39,15	46,99	62,67	94,02
	L2	22,50		14,12	19,35	24,57	29,80	35,02	42,86	50,70	66,38	97,74
	Z	22,50		17,86	22,69	27,52	32,35	37,17	44,42	51,66	66,14	95,12
<b>H MINIMUM = 3,14</b>												
	Y	30,00			2,83	6,83	10,83	14,83	20,83	26,83	38,83	62,83
	L1	30,00			11,88	15,88	19,88	23,88	29,88	35,88	47,88	71,88
	L2	30,00			16,84	20,84	24,84	28,84	34,84	40,84	52,84	76,84
	Z	30,00			19,90	23,37	26,83	30,29	35,49	40,69	51,08	71,86
<b>H MINIMUM = 4,75</b>												
	Y	45,00				1,40	4,23	7,06	11,30	15,54	24,03	41,00
	L1	45,00					13,74	16,56	20,81	25,05	33,53	50,50
	L2	45,00					21,16	23,99	28,24	32,48	40,96	57,93
	Z	45,00					22,28	24,28	27,28	30,28	36,28	48,28
<b>H MINIMUM = 8,68</b>												
	Y	60,00					0,38	2,68	6,15	9,61	16,54	30,40
	L1	60,00						16,30	19,77	26,70	40,55	
	L2	60,00						26,21	29,67	36,60	50,46	
	Z	60,00						24,02	25,76	29,22	36,15	
<b>H MINIMUM = 13,31</b>												
	Y	90,00								3,00	9,00	21,00
	L1	90,00									19,94	31,94
	L2	90,00									34,80	46,80
	Z	90,00									23,36	23,36
<b>H MINIMUM = 23,36</b>												
<b>1/2 IMC/RIGIDE</b>			Dia. = 0,84		Rayon = 2,74		X = 2,84		H = Hauteur			
	Y	15,00	2,90	10,63	18,36	26,09	33,81	41,54	53,13	64,72	87,91	134,27
	L1	15,00	7,72	15,45	23,18	30,91	38,63	46,36	57,95	69,54	92,72	139,09
	L2	15,00	8,44	16,17	23,90	31,62	39,35	47,08	58,67	70,26	93,44	139,81
	Z	15,00	11,03	18,49	25,95	33,42	40,88	48,35	59,54	70,74	93,13	137,92
<b>H MINIMUM = 9,22</b>												
	Y	22,50	0,74	5,97	11,20	16,42	21,65	26,87	34,71	42,55	58,23	89,59
	L1	22,50	5,21	10,44	15,66	20,89	26,12	31,34	39,18	47,02	62,70	94,06
	L2	22,50	6,29	11,51	16,74	21,97	27,19	32,42	40,26	48,10	63,78	95,13
	Z	22,50	8,76	13,59	18,42	23,24	28,07	32,90	40,14	47,39	61,87	90,84
<b>H MINIMUM = 1,50</b>												
	Y	30,00		3,59	7,59	11,59	15,59	19,59	25,59	31,59	43,59	67,59
	L1	30,00		7,97	11,97	15,97	19,97	23,97	29,97	35,97	47,97	71,97
	L2	30,00		9,40	13,40	17,40	21,40	25,40	31,40	37,40	49,40	73,40
	Z	30,00		11,24	14,70	18,16	21,63	25,09	30,29	35,49	45,88	66,66
<b>MINIMUM H = 2,15</b>												
	Y	45,00		1,09	3,92	6,74	9,57	12,40	16,64	20,89	29,37	46,34
	L1	45,00		5,54	8,37	11,20	14,02	16,85	21,10	25,34	33,82	50,79
	L2	45,00		7,69	10,52	13,35	16,18	19,00	23,25	27,49	35,98	52,95
	Z	45,00		9,11	11,11	13,11	15,11	17,11	20,11	23,11	29,11	41,11
<b>H MINIMUM = 3,61</b>												
	Y	60,00			2,02	4,33	6,64	8,95	12,41	15,88	22,81	36,66
	L1	60,00			6,63	8,94	11,25	13,56	17,03	20,49	27,42	41,27
	L2	60,00			9,50	11,81	14,12	16,43	19,90	23,36	30,29	44,14
	Z	60,00			9,47	10,62	11,78	12,93	14,66	16,40	19,86	26,79
<b>H MINIMUM = 5,20</b>												
	Y	90,00				2,00	4,00	6,00	9,00	12,00	18,00	30,00
	L1	90,00					8,82	10,82	13,82	16,82	22,82	34,82
	L2	90,00					13,13	15,13	18,13	21,13	27,13	39,13
	Z	90,00					8,32	8,32	8,32	8,32	8,32	8,32
<b>H MINIMUM = 8,32</b>												



**Table de données de cintrage spéciales (suite)**

DIM	ANGLE	2"	4"	6"	8"	10"	12"	15"	18"	24"	36"
<b>3/4 IMC/RIGIDE</b>		Dia. = 1,05	Rayon = 4,76		X = 2,84	H = Hauteur					
Y	15,00	2,23	9,96	17,69	25,41	33,14	40,87	52,46	64,05	87,23	133,60
L1	15,00	7,72	15,45	23,18	30,90	38,63	46,36	57,95	69,54	92,72	139,09
L2	15,00	8,97	16,69	24,42	32,15	39,88	47,60	59,19	70,79	93,97	140,33
Z	15,00	11,56	19,02	26,49	33,95	41,41	48,88	60,07	71,27	93,66	138,45
<b>H MINIMUM = 1,06</b>											
Y	22,50	0,07	5,29	10,52	15,75	20,97	26,20	34,04	41,88	57,56	88,91
L1	22,50	5,20	10,43	15,65	20,88	26,11	31,33	39,17	47,01	62,69	94,05
L2	22,50	7,07	12,30	17,52	22,75	27,98	33,20	41,04	48,88	64,56	95,92
Z	22,50	9,56	14,39	19,22	24,05	28,88	33,70	40,95	48,19	62,67	91,65
<b>H MINIMUM = 1,81</b>											
Y	30,00		2,83	6,83	10,83	14,83	18,83	24,83	30,83	42,83	66,83
L1	30,00		7,94	11,94	15,94	19,94	23,94	29,94	35,94	47,94	71,94
L2	30,00		10,43	14,43	18,43	22,43	26,43	32,43	38,43	50,43	74,43
Z	30,00		12,32	15,78	19,25	22,71	26,18	31,37	36,57	46,96	67,74
<b>H MINIMUM = 2,70</b>											
Y	45,00		0,10	2,93	5,76	8,59	11,42	15,66	19,90	28,39	45,36
L1	45,00			8,28	11,11	13,94	16,77	21,01	25,25	33,74	50,71
L2	45,00			12,02	14,85	17,68	20,50	24,75	28,99	37,47	54,45
Z	45,00			12,78	14,78	16,78	18,78	21,78	24,78	30,78	42,78
<b>H MINIMUM = 4,80</b>											
Y	60,00			0,73	3,04	5,35	7,66	11,13	14,59	21,52	35,37
L1	60,00				8,73	11,04	13,34	16,81	20,27	27,20	41,06
L2	60,00				13,71	16,02	18,33	21,79	25,26	32,19	46,04
Z	60,00				12,96	14,11	15,26	17,00	18,73	22,19	29,12
<b>H MINIMUM = 7,22</b>											
Y	90,00					1,38	3,88	6,88	9,88	15,88	27,88
L1	90,00							12,96	15,96	21,96	33,96
L2	90,00							20,43	23,43	29,43	41,43
Z	90,00							12,36	12,36	12,36	12,36
<b>H MINIMUM = 12,36</b>											
<b>1 IMC/RIGIDE</b>		Dia. = 1,315	Rayon = 6,05		X = 3,54	H = Hauteur					
Y	15,00	0,85	8,58	16,31	24,03	31,76	39,49	51,08	62,67	85,85	132,22
L1	15,00	7,72	15,45	23,17	30,90	38,63	46,36	57,95	69,54	92,72	139,08
L2	15,00	9,30	17,03	24,76	32,48	40,21	47,94	59,53	71,12	94,30	140,67
Z	15,00	12,60	20,06	27,53	34,99	42,45	49,92	61,11	72,31	94,70	139,49
<b>H MINIMUM = 1,33</b>											
Y	22,50		3,99	9,22	14,44	19,67	24,90	32,74	40,57	56,25	87,61
L1	22,50		10,42	15,65	20,87	26,10	31,33	39,17	47,01	62,68	94,04
L2	22,50		12,80	18,02	23,25	28,48	33,70	41,54	49,38	65,06	96,42
Z	22,50		15,60	20,43	25,26	30,09	34,92	42,16	49,40	63,89	92,86
<b>H MINIMUM = 2,28</b>											
Y	30,00		1,52	5,52	9,52	13,52	17,52	23,52	29,52	41,52	65,52
L1	30,00		7,93	11,93	15,93	19,93	23,93	29,93	35,93	47,93	71,93
L2	30,00		11,09	15,09	19,09	23,09	27,09	33,09	39,09	51,09	75,09
Z	30,00		13,71	17,17	20,64	24,10	27,57	32,76	37,96	48,35	69,14
<b>H MINIMUM = 3,39</b>											
Y	45,00			1,51	4,34	7,17	9,99	14,24	18,48	26,97	43,94
L1	45,00				11,05	13,88	16,71	20,95	25,20	33,68	50,65
L2	45,00				15,81	18,63	21,46	25,70	29,95	38,43	55,40
Z	45,00				16,55	18,55	20,55	23,55	26,55	32,55	44,55
<b>H MINIMUM = 6,05</b>											
Y	60,00				1,45	3,75	6,06	9,53	12,99	19,92	33,78
L1	60,00					10,90	13,21	16,67	20,13	27,06	40,92
L2	60,00					17,23	19,54	23,01	26,47	33,40	47,25
Z	60,00					16,30	17,45	19,19	20,92	24,38	31,31
<b>H MINIMUM = 9,12</b>											
Y	90,00						1,75	4,75	7,75	13,75	25,75
L1	90,00								15,40	21,40	33,40
L2	90,00								24,91	30,91	42,91
Z	90,00								15,64	15,64	15,64
<b>H MINIMUM = 15,64</b>											

**Table de données de cintrage spéciales (suite)**

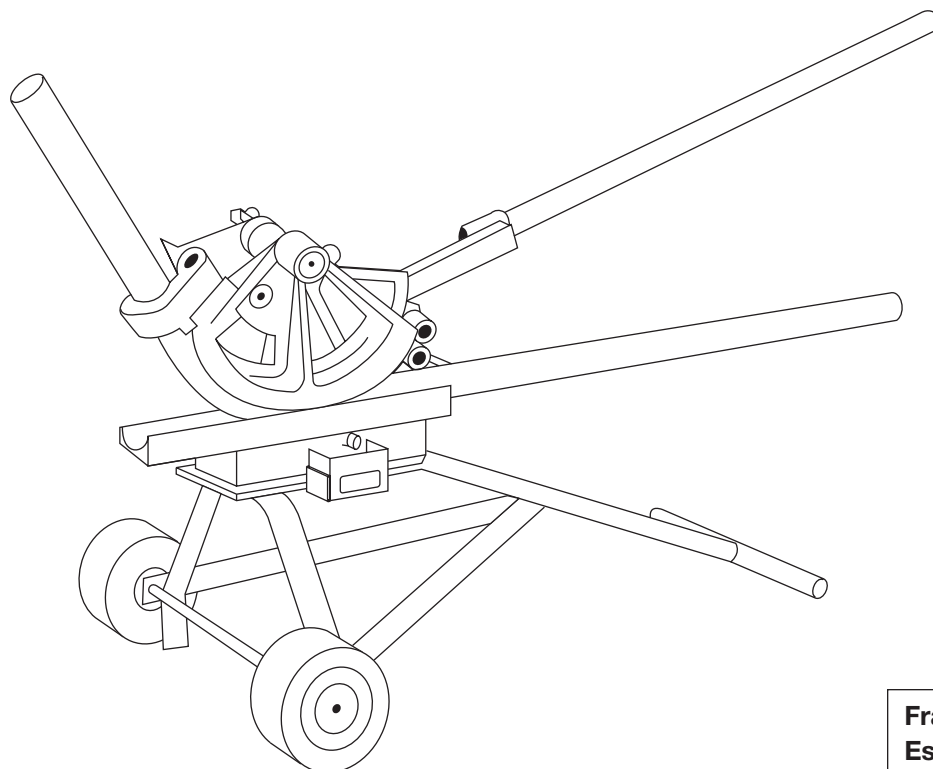
	DIM	ANGLE	2"	4"	6"	8"	10"	12"	15"	18"	24"	36"
<b>1-1/4 IMC/RIGIDE</b>			Dia. = 1,66		Rayon = 7,6		X = 3,95		H = Hauteur			
	Y	15,00		7,30	15,02	22,75	30,48	38,21	49,80	61,39	84,57	130,94
	L1	15,00	7,72	15,44	23,17	30,90	38,63	46,35	57,94	69,54	92,72	139,08
	L2	15,00	9,71	17,43	25,16	32,89	40,62	48,34	59,93	71,52	94,71	141,07
	Z	15,00	13,42	20,88	28,34	35,81	43,27	50,74	61,93	73,13	95,52	140,30
<b>H MINIMUM = 1,54</b>												
	Y	22,50		2,82	8,05	13,27	18,50	23,73	31,57	39,41	55,08	86,44
	L1	22,50		10,41	15,64	20,87	26,09	31,32	39,16	47,00	62,68	94,03
	L2	22,50		13,40	18,62	23,85	29,08	34,30	42,14	49,98	65,66	97,02
	Z	22,50		16,63	21,46	26,29	31,12	35,94	43,19	50,43	64,91	93,89
<b>H MINIMUM = 2,67</b>												
	Y	30,00		0,35	4,35	8,35	12,35	16,35	22,35	28,35	40,35	64,35
	L1	30,00			11,91	15,91	19,91	23,91	29,91	35,91	47,91	71,91
	L2	30,00			15,89	19,89	23,89	27,89	33,89	39,89	51,89	75,89
	Z	30,00			18,42	21,88	25,34	28,81	34,00	39,20	49,59	70,38
<b>H MINIMUM = 4,01</b>												
	Y	45,00			0,21	3,04	5,87	8,70	12,94	17,18	25,67	42,64
	L1	45,00				10,99	13,82	16,64	20,89	25,13	33,61	50,58
	L2	45,00				16,96	19,78	22,61	26,86	31,10	39,58	56,55
	Z	45,00				18,25	20,25	22,25	25,25	28,25	34,25	46,25
<b>H MINIMUM = 7,25</b>												
	Y	60,00					2,25	4,56	8,02	11,49	18,42	32,27
	L1	60,00						13,04	16,50	19,97	26,90	40,75
	L2	60,00						21,00	24,46	27,93	34,85	48,71
	Z	60,00						19,65	21,39	23,12	26,58	33,51
<b>H MINIMUM = 11,02</b>												
	Y	90,00							2,62	5,62	11,62	23,62
	L1	90,00									20,74	32,74
	L2	90,00									32,68	44,68
	Z	90,00									19,15	19,15
<b>H MINIMUM = 19,15</b>												
<b>1-1/2 IMC/RIGIDE</b>			Dia. = 1,9		Rayon = 9,27		X = 4,78		H = Hauteur			
	Y	15,00		5,78	13,51	21,24	28,97	36,69	48,28	59,88	83,06	129,42
	L1	15,00	7,71	15,44	23,17	30,9	38,62	46,35	57,94	69,53	92,71	139,08
	L2	15,00	10,14	17,87	25,60	33,32	41,05	48,78	60,37	71,96	95,14	141,51
	Z	15,00	14,68	22,15	29,61	37,08	44,54	52,01	63,20	74,40	96,79	141,57
<b>H MINIMUM = 1,87</b>												
	Y	22,50		1,35	6,57	11,80	17,02	22,25	30,09	37,93	53,61	84,97
	L1	22,50		10,40	15,63	20,86	26,08	31,31	39,15	46,99	62,67	94,03
	L2	22,50		14,05	19,27	24,50	29,72	34,95	42,79	50,63	66,31	97,67
	Z	22,50		18,12	22,95	27,78	32,61	37,44	44,68	51,92	66,41	95,38
<b>H MINIMUM = 3,2</b>												
	Y	30,00			2,84	6,84	10,84	14,84	20,84	26,84	38,84	62,84
	L1	30,00			11,89	15,89	19,89	23,89	29,89	35,89	47,89	71,89
	L2	30,00			16,74	20,74	24,74	28,74	34,74	40,74	52,74	76,74
	Z	30,00			20,14	23,60	27,07	30,53	35,73	40,92	51,32	72,10
<b>H MINIMUM = 4,87</b>												
	Y	45,00				1,35	4,18	7,01	11,25	15,49	23,98	40,95
	L1	45,00					13,74	16,57	20,81	25,06	33,54	50,51
	L2	45,00					21,02	23,85	28,09	32,34	40,82	57,79
	Z	45,00					22,46	24,46	27,46	30,46	36,46	48,46
<b>H MINIMUM = 8,81</b>												
	Y	60,00					0,32	2,63	6,09	9,56	16,48	30,34
	L1	60,00							16,32	19,79	26,72	40,57
	L2	60,00							26,03	29,50	36,42	50,28
	Z	60,00							24,14	25,88	29,34	36,27
<b>H MINIMUM = 13,41</b>												
	Y	90,00								3,00	9,00	21,00
	L1	90,00									20,02	32,02
	L2	90,00									34,58	46,58
	Z	90,00									23,32	23,32
<b>H MINIMUM = 23,32</b>												

**Table de données de cintrage spéciales (suite)**

DIM	ANGLE	2"	4"	6"	8"	10"	12"	15"	18"	24"	36"	
<b>2 IMC/RIGIDE</b>		Dia. = 2,375		Rayon = 10,78		X = 4,35		H = Hauteur				
	Y	15,00		5,10	12,82	20,55	28,28	36,01	47,60	59,19	82,37	128,74
	L1	15,00	7,71	15,44	23,17	30,89	38,62	46,35	57,94	69,53	92,71	139,08
	L2	15,00	10,53	18,26	25,99	33,72	41,44	49,17	60,76	72,35	95,53	141,9
	Z	15,00	14,65	22,12	29,58	37,04	44,51	51,97	63,17	74,37	96,76	141,54
<b>H MINIMUM = 1,86</b>												
	Y	22,50		0,86	6,08	11,31	16,53	21,76	29,60	37,44	53,12	84,48
	L1	22,50		10,40	15,62	20,85	26,08	31,30	39,14	46,98	62,66	94,02
	L2	22,50		14,63	19,86	25,08	30,31	35,54	43,37	51,21	66,89	98,25
	Z	22,50		18,30	23,12	27,95	32,78	37,61	44,85	52,09	66,58	95,55
<b>H MINIMUM = 3,31</b>												
	Y	30,00			2,39	6,39	10,39	14,39	20,39	26,39	38,39	62,39
	L1	30,00			11,87	15,87	19,87	23,87	29,87	35,87	47,87	71,87
	L2	30,00			17,51	21,51	25,51	29,51	35,51	41,51	53,51	77,51
	Z	30,00			20,52	23,98	27,45	30,91	36,11	41,30	51,70	72,48
<b>H MINIMUM = 5,06</b>												
	Y	45,00				0,82	3,65	6,48	10,72	14,96	23,45	40,42
	L1	45,00					13,68	16,51	20,75	24,99	33,48	50,45
	L2	45,00					22,14	24,97	29,22	33,46	41,94	58,91
	Z	45,00					23,28	25,28	28,28	31,28	37,28	49,28
<b>H MINIMUM = 9,39</b>												
	Y	60,00						1,91	5,38	8,84	15,77	29,62
	L1	60,00							16,16	19,63	26,55	40,41
	L2	60,00							27,45	30,91	37,84	51,70
	Z	60,00							25,46	27,19	30,65	37,58
<b>H MINIMUM = 14,55</b>												
	Y	90,00								1,68	7,68	19,68
	L1	90,00										31,37
	L2	90,00										48,31
	Z	90,00										25,91
<b>H MINIMUM = 25,91</b>												



# MANUAL DE INSTRUCCIONES



Français..... 19  
Español..... 37

## 1818

# Curvadoras mecánicas

Para todas las curvadoras con número de serie código YY-0000 y superiores



**Lea y comprenda** todas las instrucciones y la información de seguridad de este manual antes de utilizar o reparar esta herramienta.

Registre este producto en [www.greenlee.com](http://www.greenlee.com)

## Índice

Descripción .....	38
Seguridad .....	38
Objetivo de este manual.....	38
Información de seguridad importante .....	39
Instrucciones para el curvado .....	40-44
Información especial sobre el curvado .....	45-47
Tablas de información especial sobre curvados ....	48-53
Ilustración .....	55
Lista de piezas .....	56

## Descripción

### Capacidad

EMT de 3/4 in-2 in

IMC de 1/2 in-1-1/4 in

Conducto rígido galvanizado de 1/2 in-1-1/2 in

Conducto rígido de aluminio (solo) de 2 in

*Nota: El radio de curvado está claramente marcado en cada zapata de curvado.*

La curvadora mecánica 1818 está diseñada para años de servicio de confianza y sin problemas.

Estas características hacen que la curvadora 1818 sea una de las herramientas de ahorro de tiempo más versátiles del mercado.

- Trinquete incorporado: le permite aplicar carreras cortas y potentes para un curvado más rápido.
- Localizador de zapata: facilita la carga. La rotación de la zapata está restringida.
- Indicador de grado de curvado: ayuda a garantizar curvados precisos en todo momento.
- Barras de seguimiento: producen curvados suaves en EMT de 1-1/4 in, 1-1/2 in y 2 in sin deformaciones ni pliegues.
- Ruedas de goma: facilitan la portabilidad en el taller o en el lugar de trabajo.
- Armazón fuerte: mantiene la curvadora en su lugar durante el curvado.
- Modo de curvado de velocidad: omite el trinquete para un curvado rápido y directo de tamaños más pequeños de conductos.

### Características que hacen que la 1818 sea superior

- No se requiere caja de almacenamiento. Todas las zapatas pueden almacenarse en la curvadora.

*Nota: La curvadora sostiene las barras de seguimiento, los rodillos y los pasadores para que toda la unidad se pueda encadenar a un poste para mayor seguridad.*

- El carro minimiza la desviación al doblar conductos más grandes.
- El armazón principal de acero no requiere una barra de acoplamiento para soportar el sistema de curvado.
- El botón de fricción retiene automáticamente la unidad de segmento de zapata y el trinquete al cargar el conducto. El sistema de bloqueo se libera automáticamente.
- La unidad de armazón acepta las zapatas 1818 existentes, los rodillos amortiguadores y las barras de seguimiento.

## Seguridad

La seguridad es esencial al utilizar y mantener las herramientas y los equipos de Greenlee. Este manual de instrucciones y todas las marcas presentes en la herramienta ofrecen la información necesaria para evitar riesgos y prácticas poco seguras relacionadas con su uso. Siga toda la información sobre seguridad que se proporciona.

## Objetivo de este manual

Este manual de instrucciones está diseñado para familiarizar al personal con los procedimientos de operación y mantenimiento seguros para la curvadora mecánica Greenlee 1818.

Este manual debe estar disponible para todo el personal que lo necesite.

Hay manuales de reemplazo disponibles sin costo y a solicitud en [www.greenlee.com](http://www.greenlee.com).

Todas las especificaciones son nominales y pueden cambiar a medida que se hagan mejoras al diseño. Greenlee Tools, Inc. no se hace responsable por los daños producidos por una aplicación inadecuada o el uso indebido de sus productos.

# CONSERVE ESTE MANUAL

## INFORMACIÓN DE SEGURIDAD IMPORTANTE



### SÍMBOLO DE ALERTA DE SEGURIDAD

Este símbolo se utiliza para indicar un riesgo o una práctica poco segura que podría ocasionar lesiones o daños materiales. La palabra que está al lado del símbolo indica la gravedad del peligro, tal y como se muestra a continuación. El mensaje que sigue a esta palabra proporciona información para prevenir o evitar el peligro.

#### **⚠ PELIGRO**

Peligros inmediatos que, si no se evitan, CAUSARÁN lesiones graves o fatales.

#### **⚠ ADVERTENCIA**

Peligros que, si no se evitan, PUEDEN causar lesiones graves o fatales.

#### **⚠ ATENCIÓN**

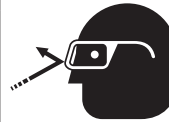
Peligros o prácticas no seguras que, si no se evitan, PODRÍAN causar lesiones o daños materiales.



#### **⚠ ADVERTENCIA**

Puntos de atrapamiento:

Al realizar el curvado, mantenga las manos alejadas de las piezas móviles y del conducto. Si no se respeta esta advertencia pueden sufrirse graves lesiones.



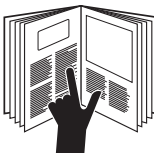
#### **⚠ ADVERTENCIA**

Utilice protección ocular cuando utilice este sistema de curvadora. No usar protección para los ojos podría exponerlo a lesiones oculares graves si salen partículas despedidas.

#### **⚠ ATENCIÓN**

- Mantenga el conducto bajo control al descargarlo de la curvadora. El conducto puede caer y golpear al operador o al personal cercano.
- Mantenga un agarre firme en la manija al doblarla. Es posible que la fuerza de retorno no permita que el trinquete se encaje completamente, lo que hace que la manija salte hacia arriba repentinamente.
- Extraiga la manija y el conducto antes de mover la curvadora. Mantenga un agarre firme con ambas manos en la manija en T del marco para evitar que la curvadora se vuelque.
- Inspeccione la curvadora antes de cada uso. Reemplace los componentes gastados, dañados o faltantes con piezas de repuesto de Greenlee. Una herramienta dañada o mal ensamblada puede romperse y golpear al personal que esté cerca de la unidad.
- Utilice las prácticas de elevación adecuadas al levantar la máquina. La curvadora pesa más de 75 lb (34 kg) y se necesita más de una persona para levantarla.

Si no se respetan estas precauciones, pueden producirse lesiones.



#### **⚠ ADVERTENCIA**

Lea y comprenda todas las instrucciones y la información de seguridad de este manual antes de utilizar o reparar esta herramienta.

Si no presta atención a esta advertencia puede causar lesiones graves o la muerte.



#### **⚠ ADVERTENCIA**

No deje la manija del trinquete en la posición ARRIBA cuando la curvadora no esté en uso. Una manija que se deja en la posición ARRIBA podría caerse inesperadamente.

#### **⚠ ATENCIÓN**

Utilice este producto solo para los fines previstos por el fabricante. Utilizarla de manera distinta a la descrita en este manual podría ocasionar graves lesiones o daños materiales.

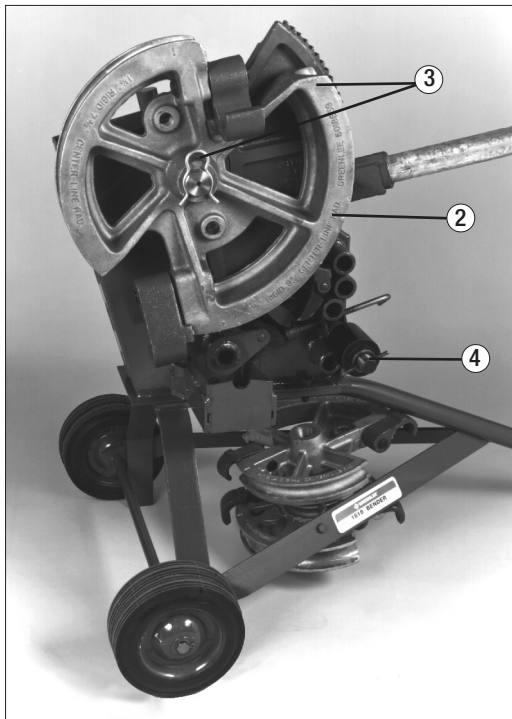
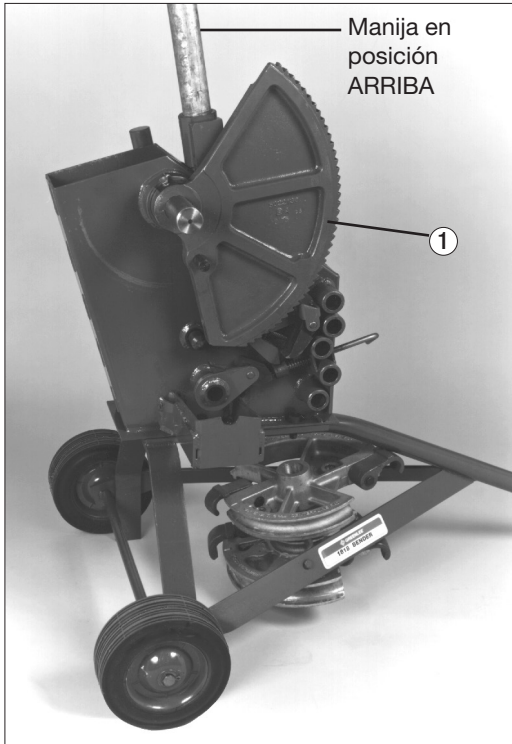
## Instrucciones para el curvado:

**EMT de 3/4 in-1 in**  
**IMC de 1/2 in-1-1/4 in**  
**Rígido de 1/2 in-1-1/2 in**  
**Conducto rígido de aluminio de 2 in**

Para la manija, use 5 ft de longitud del conducto rígido de 1-1/4 in, reténgala con un tornillo de fijación.

1. Gire el segmento del trinquete hacia la izquierda hasta la posición de CARGA. El botón de fricción saltará automáticamente y evitará que el segmento gire en la dirección de curvado.

*Nota: La manija del trinquete debe girarse a la posición ARRIBA para liberar la traba y los trinquetes de accionamiento del segmento. Es posible que el segmento requiera un pequeño giro hacia la derecha para liberar el gatillo de bloqueo.*

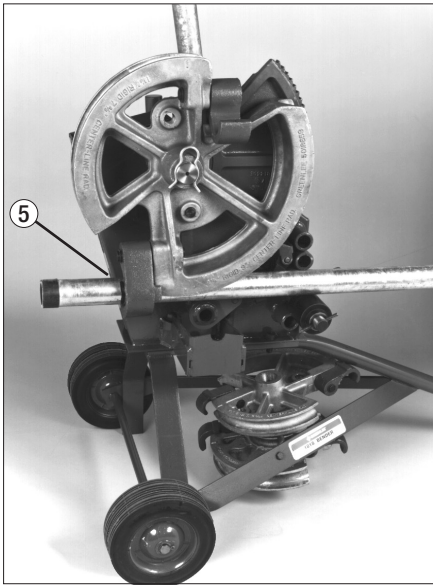


	<p><b>⚠ ADVERTENCIA</b></p> <p>No deje la manija del trinquete en la posición ARRIBA cuando la curvadora no esté en uso. Una manija que se deja en la posición ARRIBA podría caerse inesperadamente.</p>
--	--

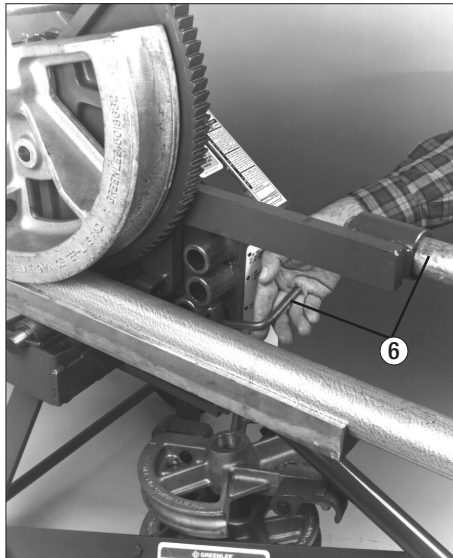
2. Seleccione la zapata de curvado correcta (el tamaño y el tipo de conducto están marcados en la zapata).
3. Coloque la zapata de curvado en el eje de pivote y alinee el pasador del mando del segmento con el orificio de la zapata. Encaje el sujetador de resorte en el eje de pivote.
4. Coloque el rodillo amortiguador en el pasador del rodillo e insértelo en el orificio adecuado, como lo indica el adhesivo del marco de la curvadora.



## Instrucciones para el curvado (continuación)

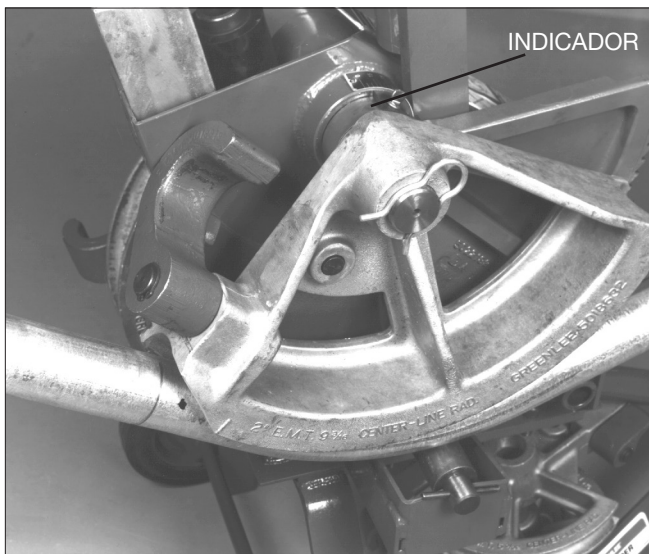


5. Coloque el conducto en la curvadora como se muestra en la zapata y alinee las marcas de curvado con el borde delantero del gancho.



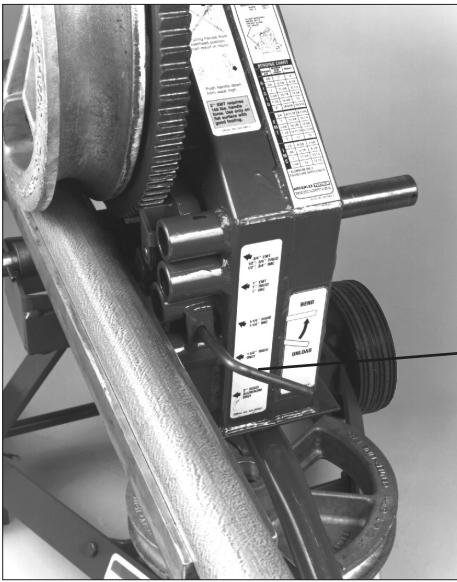
6. Baje la manija del trinquete a la posición horizontal y luego gire la manija de control de curvado hasta la posición de CURVADO.

*Nota: Ajuste el indicador en cero, con el conducto ajustado contra el gancho de la zapata. El indicador no compensa la fuerza de retorno.*



7. Regule la zapata de curvado al ángulo deseado, como muestra el indicador de ángulo de grado.

## Instrucciones para el curvado (continuación)



8. Gire la manija del trinquete a la posición ARRIBA. Esto moverá automáticamente la manija de control de curvado a la posición de LIBERACIÓN. Luego gire la manija del trinquete hasta la posición de curvado y aplique presión de curvado hasta que se libere el gatillo de bloqueo. Se escuchará un chasquido, luego gire la manija del trinquete a la posición ARRIBA. La zapata y el segmento se pueden girar para retirar el conducto curvado.

Doble la manija de control en la posición de liberación.



### **⚠ ADVERTENCIA**

No deje la manija del trinquete en la posición ARRIBA cuando la curvadora no esté en uso. Una manija que se deja en la posición ARRIBA podría caerse inesperadamente.

## Instrucciones para el curvado:

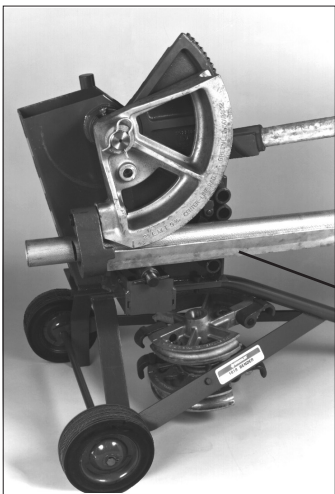
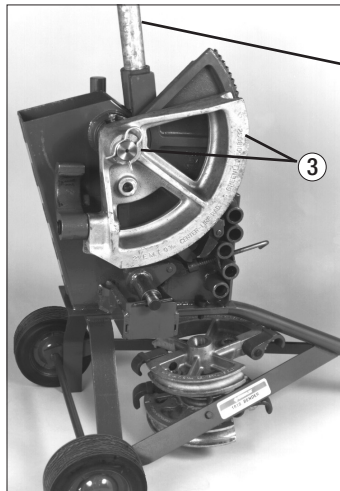
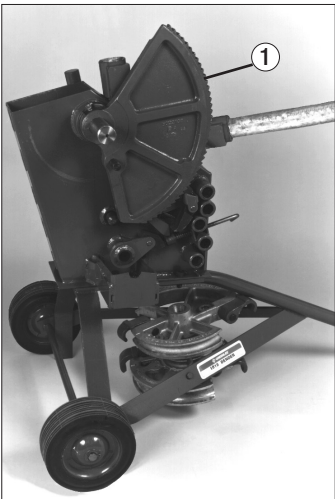
### EMT de 1-1/4 in-2 in

1. Gire el segmento del trinquete hacia la izquierda hasta la posición de CARGA. El botón de fricción saltará automáticamente y evitará que el segmento gire en la dirección de curvado.

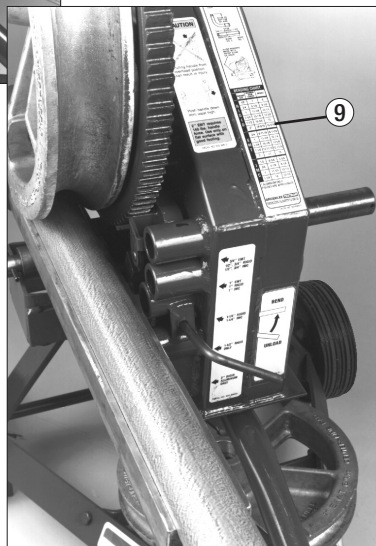
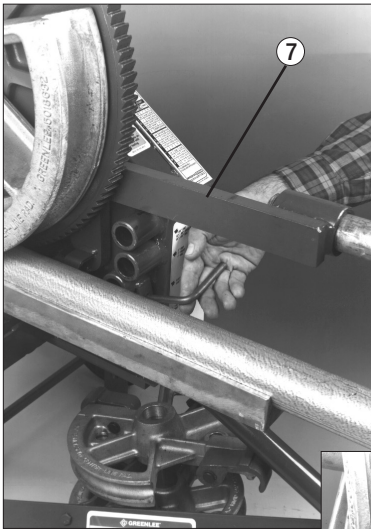
Para la manija, use 5 ft de longitud del conducto rígido de 1-1/4 in, reténgala con un tornillo de fijación.

*Nota: La manija del trinquete debe girarse a la posición ARRIBA para liberar la traba y los trinquetes de accionamiento del segmento. Es posible que el segmento requiera un pequeño giro hacia la derecha para liberar el gatillo de bloqueo.*

2. Seleccione la zapata de curvado correcta (el tamaño y el tipo de conducto están marcados en la zapata).
3. Coloque la zapata de curvado en el eje de pivote y alinee el pasador del mando del segmento con el orificio de la zapata. Encaje el sujetador de resorte en el eje de pivote.
4. Coloque el rodillo de acero en línea con el orificio delantero y el soporte para la salida. Inserte el pasador del rodillo para retenerlo.
5. Coloque la barra de seguimiento como se muestra.
6. Coloque el conducto en la curvadora como se muestra y alinee la marca de curvado con el borde delantero del gancho.



## Instrucciones para el curvado (continuación)

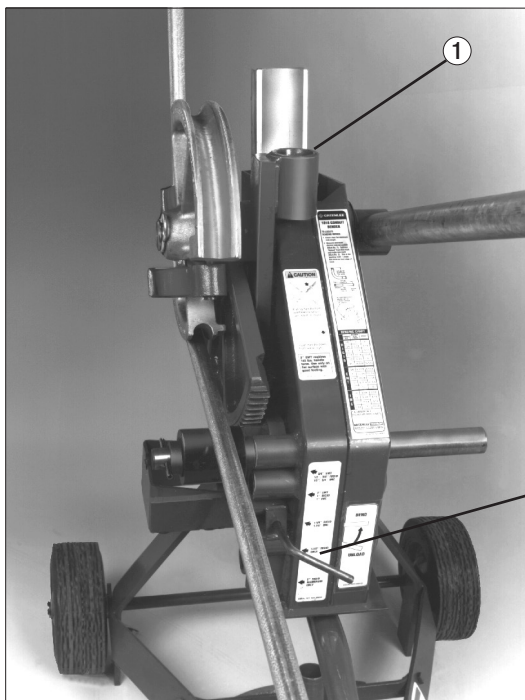


7. Baje la manija del trinquete a la posición horizontal y luego gire la manija de control de curvado hasta la posición de CURVADO.

*Nota: Configure el indicador en cero con el conducto ajustado contra el gancho de la zapata. El indicador no compensa la fuerza de retorno.*

8. Regule la zapata de curvado al ángulo deseado como muestra el indicador del ángulo de grado.
9. Gire la manija del trinquete a la posición ARRIBA. Esto moverá automáticamente la manija de control de curvado a la posición de LIBERACIÓN. Luego gire la manija del trinquete hasta la posición de curvado y aplique presión de curvado hasta que se libere el gatillo de bloqueo. Se escuchará un chasquido, luego gire la manija del trinquete a la posición ARRIBA. La zapata y el segmento se pueden girar para retirar el conducto curvado.

	<b>⚠ ADVERTENCIA</b>
	<p>No deje la manija del trinquete en la posición ARRIBA cuando la curvadora no esté en uso. Una manija que se deja en la posición ARRIBA podría caerse inesperadamente.</p>



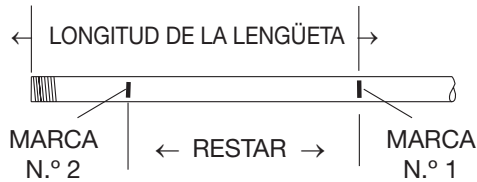
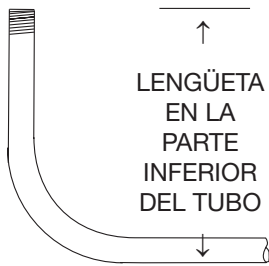
### Curvado de velocidad en tamaños de 1/2 in, 3/4 in y 1 in

1. Gire la manija del trinquete a la posición ARRIBA. Extraiga la manija después de aflojar el tornillo de fijación en la manija del trinquete. Coloque la manija en el poste ubicado en el eje de pivote. Tire hacia abajo de la manija hasta que se realice el curvado requerido.
2. Para descargar la curvadora, gire la manija a la posición ARRIBA y extraiga el conducto.

*Nota: La manija de liberación del curvado estará en la posición de liberación para curvar con la manija en la ubicación de curvado de velocidad.*

**Instrucciones para el curvado (continuación)**
**Para localizar marcas de curvado**

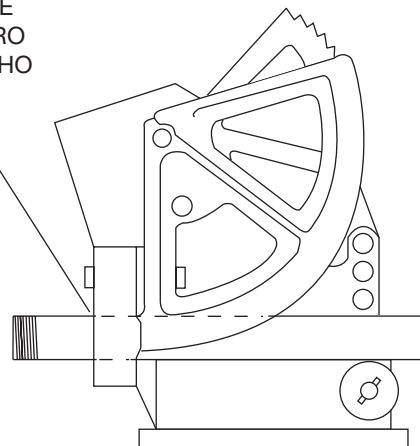
1. Compruebe en el gráfico la longitud mínima de la lengüeta.
2. Mida y marque la lengüeta deseada en el conducto (Marca N.º1). Reste "Descontar" de esta marca y haga una marca nueva (Marca N.º 2). Esta es la marca del curvado. Localice esta marca en el borde delantero del gancho.


**GRÁFICO DE CURVADO**

	Conducto Tamaño	Mínimo Lengüeta Longitud	Restar
<b>R</b>	1/2	7	6
	3/4	9-1/8	8-1/8
	1	11-1/4	10-1/4
	1-1/4	13-7/8	12-3/8
	1-1/2	16-3/4	15
<b>I</b>	2*	18-5/16	16-5/16
	3/4	9-11/16	8-11/16
	1	11-1/4	10-1/4
	1-1/4	14-1/8	12-5/8
	1-1/2	14-11/16	12-15/16
<b>D</b>	2	17	15
	1/2	6-5/8	5-5/8
	3/4	9-1/8	8-1/8
	1	11-1/4	10-1/4
	1-1/4	14	12-1/2
<b>O</b>	1-1/4	14	12-1/2
	1/2	6-5/8	5-5/8
	3/4	9-1/8	8-1/8
	1	11-1/4	10-1/4
	1-1/4	14	12-1/2
<b>E</b>	1-1/4	14-11/16	12-15/16
	1-1/2	14-11/16	12-15/16
	2	17	15
	1/2	6-5/8	5-5/8
	3/4	9-1/8	8-1/8
<b>M</b>	1	11-1/4	10-1/4
	1-1/4	14	12-1/2
	1/2	6-5/8	5-5/8
	3/4	9-1/8	8-1/8
	1	11-1/4	10-1/4
<b>T</b>	1-1/4	14	12-1/2
	1/2	6-5/8	5-5/8
	3/4	9-1/8	8-1/8
	1	11-1/4	10-1/4
	1-1/4	14	12-1/2
<b>C</b>	1-1/4	14	12-1/2
	1/2	6-5/8	5-5/8
	3/4	9-1/8	8-1/8
	1	11-1/4	10-1/4
	1-1/4	14	12-1/2

\* SOLO ALUMINIO  
LAS CIFRAS SON APROXIMADAS

ALINEACIÓN DE LA MARCA DE CURVADO CON EL BORDE DELANTERO DEL GANCHO

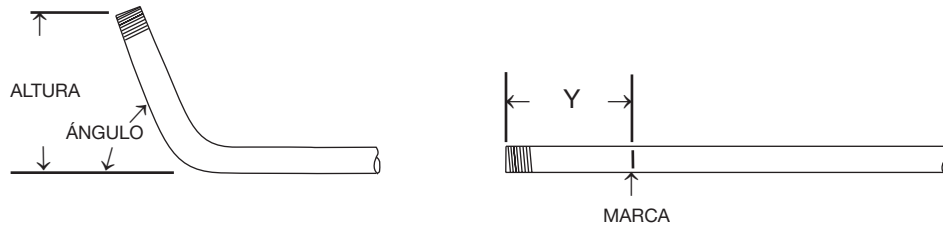


## Información especial sobre el curvado

### Configuración de las curvas

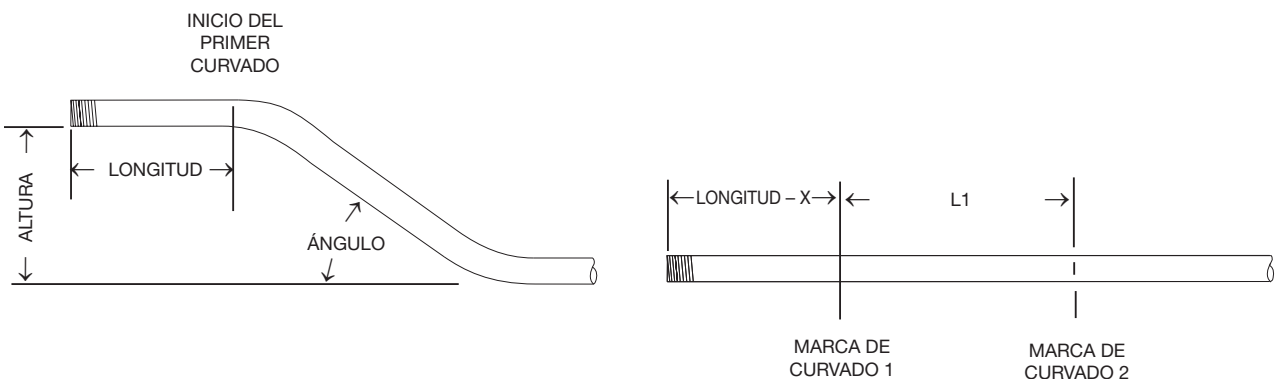
A continuación se describe un medio para exponer los puntos de partida para varios tipos de curvas. Brindará mediciones muy precisas para las alturas y los ángulos de curvado utilizados comúnmente.

#### Lengüetas:



1. Observe el siguiente gráfico para el tamaño y el tipo de conducto que desea curvar.
2. Observe la columna **ÁNGULO** hasta encontrar el ángulo que desea lograr con el curvado.
3. Observe los números en la fila precedida por **Y** y seleccione el que se encuentre directamente debajo de la altura (**A**) que desea.
4. Coloque una marca a esta distancia desde el extremo del conducto.
5. Efectúe el curvado después de colocar el borde delantero del gancho sobre la marca.

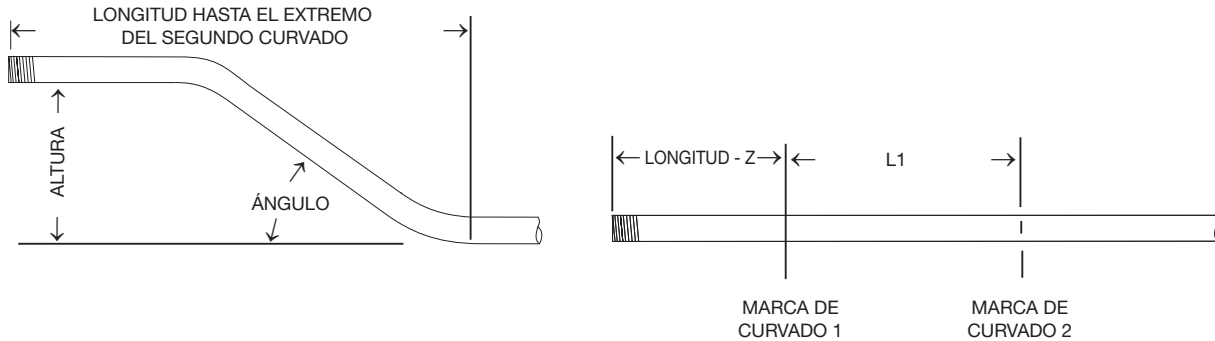
#### Desplazamientos: (Control del inicio de la primera curva)



1. Reste la dimensión **X** para el tamaño del conducto que desea curvar de la longitud deseada.
2. Coloque la primera marca a esta distancia desde el extremo del conducto.
3. Observe el siguiente gráfico para el tamaño y el tipo de conducto que desea curvar.
4. Observe la columna **ÁNGULO** hasta encontrar los ángulos que desea lograr con el curvado.
5. Observe los números en la fila precedida por **L1** y seleccione el que se encuentre directamente debajo de la altura (**A**) que desea.
6. Coloque una segunda marca a esta distancia de la primera marca.
7. Efectúe su primer curvado después de colocar el borde delantero del gancho en la primera marca y el segundo curvado después de colocar el borde delantero del gancho debajo de la segunda marca.

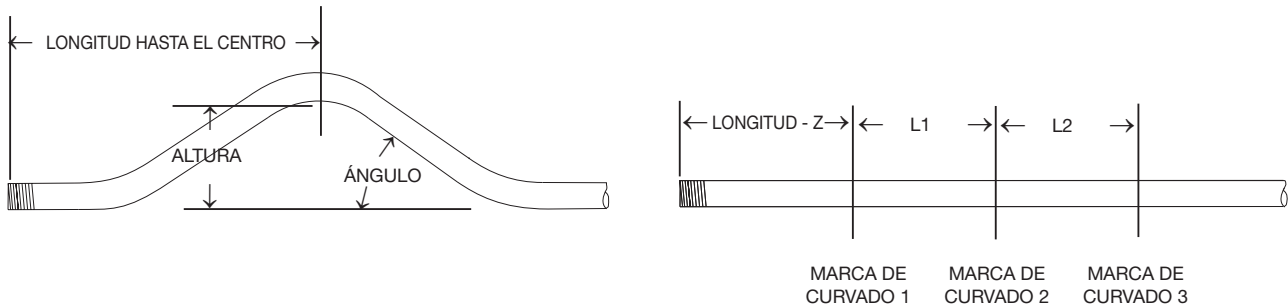
## Información especial sobre el curvado (continuación)

### Desplazamientos: (Control del fin del segundo curvado)

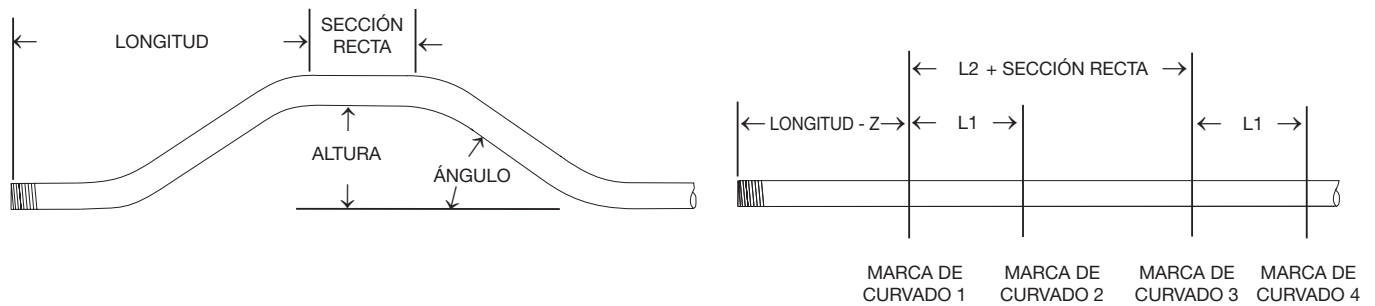


1. Observe el siguiente gráfico para el tamaño y el tipo de conducto que desea curvar.
2. Observe la columna **ÁNGULO** hasta encontrar el ángulo que desea lograr con el curvado.
3. Observe los números en la fila precedida por **Z** y seleccione el que se encuentre directamente debajo de la altura (**A**) que desea.
4. Reste esta dimensión **Z** de la longitud deseada.
5. Coloque la primera marca a esta distancia desde el extremo del conducto.
6. Observe los números en la fila precedida por **L1** y seleccione el que se encuentre directamente debajo de la altura (**A**) que desea.
7. Coloque una segunda marca a esta distancia de la primera marca.
8. Efectúe su primer curvado después de colocar el borde delantero del gancho en la primera marca y el segundo curvado después de colocar el borde delantero del gancho en la segunda marca.

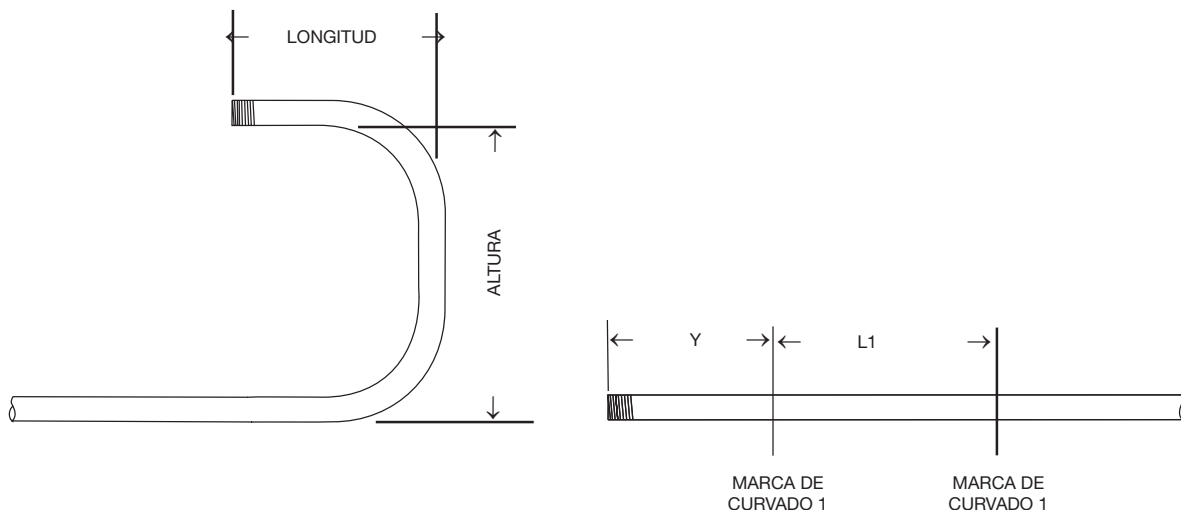
### 3 soportes de curvado:



1. Observe el siguiente gráfico para el tamaño y el tipo de conducto que desea curvar.
2. Observe la columna **ÁNGULO** hasta encontrar el ángulo que desea lograr con el curvado.
3. Observe los números en la fila precedida por **Z** y seleccione el que se encuentre directamente debajo de la altura (**A**) que desea.
4. Reste esta dimensión **Z** de la longitud deseada.
5. Coloque la primera marca a esta distancia desde el extremo del conducto.
6. Observe los números en la fila precedida por **L1** y seleccione el que se encuentre directamente debajo de la altura (**A**) que desea.
7. Coloque una segunda marca a esta distancia de la primera marca.
8. Observe los números en la fila precedida por **L2** y seleccione el que se encuentre directamente debajo de la altura (**A**) que desea.
9. Coloque una tercera marca a esta distancia de la segunda marca.
10. Efectúe su primer curvado después de colocar el borde delantero del gancho en la primera marca y el segundo curvado después de colocar el borde delantero del gancho en la segunda marca. No se olvide de efectuar el segundo curvado al doble del primer curvado. Efectúe el tercer curvado después de colocar el borde delantero del gancho sobre la tercera marca.

**Información especial sobre el curvado (continuación)**
**4 soportes de curvado recto**


1. Observe el siguiente gráfico para el tamaño y el tipo de conducto que desea curvar.
2. Observe la columna **ÁNGULO** hasta encontrar el ángulo que desea lograr con el curvado.
3. Observe los números en la fila precedida por **Z** y seleccione el que se encuentre directamente debajo de la altura (**A**) que desea.
4. Reste esta dimensión **Z** de la longitud deseada.
5. Coloque la primera marca a esta distancia desde el extremo del conducto.
6. Observe los números en la fila precedida por **L1** y seleccione el que se encuentre directamente debajo de la altura (**A**) que desea.
7. Coloque una segunda marca a esta distancia de la primera marca.
8. Observe los números en la fila precedida por **L2** y seleccione el que se encuentre directamente debajo de la altura (**A**) que desea.
9. Agregue este valor **L2** a la longitud deseada para la sección recta.
10. Coloque una tercera marca a esta distancia de la primera marca.
11. Busque nuevamente la dimensión **L1** utilizada anteriormente.
12. Coloque una cuarta marca a esta distancia de la tercera marca.
13. Coloque el borde delantero del gancho en las marcas respectivas para cada curvado.

**Curvas en U**


1. Observe el gráfico para el tamaño y el tipo de conducto que desea curvar.
2. Observe la columna **ÁNGULO** hasta encontrar el valor para 90 grados.
3. Observe los números en la fila precedida por **Y** y seleccione el que se encuentre directamente debajo de la longitud (**L**) que desea.
4. Coloque la primera marca a esta distancia desde el extremo del conducto.
5. Observe los números en la fila precedida por **L1** y seleccione el que se encuentre directamente debajo de la altura (**A**) que desea.
6. Coloque una segunda marca a esta distancia de la primera marca.
7. Efectúe su primer curvado después de colocar el borde delantero del gancho en la primera marca y el segundo curvado después de colocar el borde delantero del gancho en la segunda marca.

**Tabla de información especial sobre curvados**

	DIM	ÁNGULO	2 in	4 in	6 in	8 in	10 in	12 in	15 in	18 in	24 in	36 in
<b>EMT de 3/4</b>	Diámetro=0,922		Radio=5,25			X=2,98		A=Altura				
	Y	15,00	2,28	10,00	17,73	25,46	33,18	40,91	52,50	64,09	87,28	133,64
	L1	15,00	7,72	15,45	23,17	30,90	38,63	46,36	57,95	69,54	92,72	139,09
	L2	15,00	9,09	16,82	24,55	32,28	40,00	47,73	59,32	70,91	94,10	140,46
	Z	15,00	11,83	19,29	26,75	34,22	41,68	49,15	60,34	71,54	93,93	138,72
<b>A MÍNIMA=1,13</b>												
	Y	22,50		5,22	10,45	15,68	20,90	26,13	33,97	41,81	57,49	88,84
	L1	22,50	5,20	10,43	15,65	20,88	26,10	31,33	39,17	47,01	62,69	94,05
	L2	22,50	7,26	12,49	17,71	22,94	28,17	33,39	41,23	49,07	64,75	96,11
	Z	22,50	9,90	14,73	19,55	24,38	29,21	34,04	41,28	48,52	63,01	91,98
<b>A MÍNIMA=1,94</b>												
	Y	30,00		2,69	6,69	10,69	14,69	18,69	24,69	30,69	42,69	66,69
	L1	30,00		7,94	11,94	15,94	19,94	23,94	29,94	35,94	47,94	71,94
	L2	30,00		10,68	14,68	18,68	22,68	26,68	32,68	38,68	50,68	74,68
	Z	30,00		12,72	16,19	19,65	23,11	26,58	31,77	36,97	47,36	68,15
<b>A MÍNIMA=2,90</b>												
	Y	45,00			2,68	5,51	8,34	11,16	15,41	19,65	28,13	45,11
	L1	45,00			8,26	11,09	13,92	16,74	20,99	25,23	33,72	50,69
	L2	45,00			12,38	15,21	18,04	20,87	25,11	29,35	37,84	54,81
	Z	45,00			13,33	15,33	17,33	19,33	22,33	25,33	31,33	43,33
<b>A MÍNIMA=5,18</b>												
	Y	60,00			0,38	2,69	5,00	7,31	10,78	14,24	21,17	35,03
	L1	60,00				8,67	10,98	13,29	16,76	20,22	27,15	41,00
	L2	60,00				14,17	16,48	18,79	22,25	25,72	32,65	46,50
	Z	60,00				13,66	14,82	15,97	17,70	19,43	22,90	29,83
<b>A MÍNIMA=7,83</b>												
	Y	90,00					1,31	3,31	5,31	9,31	15,31	27,31
	L1	90,00							12,75	15,75	21,75	33,75
	L2	90,00							20,99	23,99	29,99	41,99
	Z	90,00							13,48	13,48	13,48	13,48
<b>A MÍNIMA=13,48</b>												
<b>EMT de 1</b>	Diámetro=1,163		Radio=6,6			X=3,07		A=Altura				
	Y	15,00	1,54	9,27	17,00	24,72	32,45	40,18	51,77	63,36	86,54	132,91
	L1	15,00	7,72	15,44	23,17	30,90	38,63	46,35	57,95	69,54	92,72	139,08
	L2	15,00	9,45	17,17	24,90	32,63	40,35	48,08	59,67	71,26	94,45	140,81
	Z	15,00	12,27	19,74	27,20	34,66	42,13	49,59	60,79	71,98	94,38	139,16
<b>A MÍNIMA=1,24</b>												
	Y	22,50		4,55	9,78	15,00	20,23	25,46	33,29	41,13	56,81	88,17
	L1	22,50		10,42	15,64	20,87	26,10	31,32	39,16	47,00	62,68	94,04
	L2	22,50		13,01	18,24	23,46	28,69	33,92	41,75	49,59	65,27	96,63
	Z	22,50		15,35	20,18	25,01	29,84	34,67	41,91	49,15	63,64	92,61
<b>A MÍNIMA=2,18</b>												
	Y	30,00		2,00	6,00	10,00	14,00	18,00	24,00	30,00	42,00	66,00
	L1	30,00		7,92	11,92	15,92	19,92	23,92	29,92	35,92	47,92	71,92
	L2	30,00		11,37	15,37	19,37	23,37	27,37	33,37	39,37	51,37	75,37
	Z	30,00		13,54	17,00	20,46	23,93	27,39	32,59	37,78	48,18	68,96
<b>A MÍNIMA=3,30</b>												
	Y	45,00			1,86	4,69	7,52	10,34	14,59	18,83	27,31	44,29
	L1	45,00				11,03	13,86	16,69	20,93	25,17	33,66	50,63
	L2	45,00			13,38	16,21	19,04	21,87	26,11	30,36	38,84	55,81
	Z	45,00			14,54	16,54	18,54	20,54	23,54	26,54	32,54	44,54
<b>A MÍNIMA=6,04</b>												
	Y	60,00				1,69	4,00	6,30	9,77	13,23	20,16	34,02
	L1	60,00					10,84	13,15	16,61	20,08	27,00	40,86
	L2	60,00					17,75	20,06	23,52	26,99	33,91	47,77
	Z	60,00					16,46	17,62	19,35	21,08	24,55	31,48
<b>A MÍNIMA=9,26</b>												
	Y	90,00						1,75	4,75	7,75	13,75	25,75
	L1	90,00								15,17	21,17	33,17
	L2	90,00								25,53	31,53	43,53
	Z	90,00								16,27	16,27	16,27
<b>A MÍNIMA=16,27</b>												



**Tabla de información especial sobre curvados (continuación)**

	DIM	ÁNGULO	2 in	4 in	6 in	8 in	10 in	12 in	15 in	18 in	24 in	36 in
<b>EMT de 1-1/4</b>			Diámetro=1,51	Radio=8,53	X=3,34	A=Altura						
	Y	15,00	0,35	8,07	15,80	23,53	31,26	38,98	50,58	62,17	85,35	131,71
	L1	15,00	7,71	15,44	23,17	30,90	38,62	46,35	57,94	69,53	92,72	139,08
	L2	15,00	9,95	17,68	25,40	33,13	40,86	48,58	60,18	71,77	94,95	141,31
	Z	15,00	13,05	20,51	27,98	35,44	42,91	50,37	61,57	72,76	95,16	139,94
<b>A MÍNIMA=1,45</b>												
	Y	22,50		3,44	8,67	13,90	19,12	24,35	32,19	40,03	55,71	87,06
	L1	22,50		10,41	15,64	20,86	26,09	31,31	39,15	46,99	62,67	94,03
	L2	22,50		13,76	18,98	24,21	29,44	34,66	42,50	50,34	66,02	97,38
	Z	22,50		16,39	21,22	26,05	30,88	35,70	42,95	50,19	64,67	93,65
<b>A MÍNIMA=2,58</b>												
	Y	30,00		0,86	4,86	8,86	12,86	16,86	22,86	28,86	40,86	64,86
	L1	30,00		7,90	11,90	15,90	19,90	23,90	29,90	35,90	47,90	71,90
	L2	30,00		12,36	16,36	20,36	24,36	28,36	34,36	40,36	52,36	76,36
	Z	30,00		14,84	18,30	21,77	25,23	28,70	33,89	39,09	49,48	70,27
<b>A MÍNIMA=3,96</b>												
	Y	45,00			0,54	3,37	6,20	9,03	13,27	17,51	26,00	42,97
	L1	45,00				10,95	13,78	16,60	20,85	25,09	33,57	50,54
	L2	45,00				17,65	20,47	23,30	27,55	31,79	40,27	57,24
	Z	45,00				18,41	20,41	22,41	25,41	28,41	34,41	46,41
<b>A MÍNIMA=7,36</b>												
	Y	60,00				0,10	2,41	4,72	8,18	11,65	18,58	32,43
	L1	60,00						12,94	16,40	19,87	26,80	40,65
	L2	60,00						21,87	25,34	28,80	35,73	49,58
	Z	60,00						20,12	21,85	23,58	27,05	33,97
<b>A MÍNIMA=11,42</b>												
	Y	90,00							2,38	5,38	11,38	23,38
	L1	90,00									20,34	32,34
	L2	90,00									33,74	45,74
	Z	90,00									20,40	20,40
<b>A MÍNIMA=20,4</b>												
<b>EMT de 1-1/2</b>			Diámetro=1,74	Radio=8,53	X=3,54	A=Altura						
	Y	15,00		7,43	15,16	22,89	30,61	38,34	49,93	61,52	84,7	131,07
	L1	15,00	7,71	15,44	23,17	30,90	38,62	46,35	57,94	69,53	92,72	139,08
	L2	15,00	9,95	17,68	25,40	33,13	40,86	48,58	60,18	71,77	94,95	141,31
	Z	15,00	13,25	20,71	28,18	35,64	43,11	50,57	61,77	72,96	95,36	140,14
<b>A MÍNIMA=1,50</b>												
	Y	22,50		2,94	8,17	13,39	18,62	23,85	31,69	39,53	55,2	86,56
	L1	22,50		10,41	15,64	20,86	26,09	31,31	39,15	46,99	62,67	94,03
	L2	22,50		13,76	18,98	24,21	29,44	34,66	42,5	50,34	66,02	97,38
	Z	22,50		16,59	21,42	26,25	31,08	35,9	43,15	50,39	64,87	93,85
<b>A MÍNIMA=2,65</b>												
	Y	30,00			4,43	8,43	12,43	16,43	22,43	28,43	40,43	64,43
	L1	30,00			11,90	15,90	19,90	23,90	29,90	35,90	47,90	71,90
	L2	30,00			16,36	20,36	24,36	28,36	34,36	40,36	52,36	76,36
	Z	30,00			18,50	21,97	25,43	28,90	34,09	39,29	49,68	70,47
<b>A MÍNIMA=4,06</b>												
	Y	45,00			0,18	3,01	5,84	8,67	12,91	17,15	25,64	42,61
	L1	45,00				10,95	13,78	16,60	20,85	25,09	33,57	50,54
	L2	45,00				17,65	20,47	23,30	27,55	31,79	40,27	57,24
	Z	45,00				18,61	20,61	22,61	25,61	28,61	34,61	46,61
<b>A MÍNIMA=7,50</b>												
	Y	60,00					2,08	4,39	7,85	11,32	18,24	32,10
	L1	60,00						12,94	16,40	19,87	26,80	40,65
	L2	60,00						21,87	25,34	28,80	35,73	49,58
	Z	60,00						20,32	22,05	23,78	27,25	34,17
<b>A MÍNIMA=11,60</b>												
	Y	90,00							2,06	5,06	11,06	23,06
	L1	90,00									20,34	32,34
	L2	90,00									33,74	45,74
	Z	90,00									20,6	20,60
<b>A MÍNIMA=20,6</b>												

**Tabla de información especial sobre curvados (continuación)**

	DIM	ÁNGULO	2 in	4 in	6 in	8 in	10 in	12 in	15 in	18 in	24 in	36 in
<b>EMT de 2</b>			Diámetro=2,2		Radio=9,48		X=4,44		A=Altura			
	Y	15,00		5,52	13,25	20,97	28,70	36,43	48,02	59,61	82,79	129,16
	L1	15,00	7,71	15,44	23,17	30,90	38,62	46,35	57,94	69,53	92,71	139,08
	L2	15,00	10,19	17,92	25,64	33,37	41,10	48,83	60,42	72,01	95,19	141,56
	Z	15,00	14,39	21,86	29,32	36,79	44,25	51,72	62,91	74,11	96,50	141,28
<b>A MÍNIMA=1,80</b>												
	Y	22,50		1,26	6,48	11,71	16,94	22,16	30,00	37,84	53,52	84,88
	L1	22,50		10,40	15,63	20,86	26,08	31,31	39,15	46,99	62,67	94,02
	L2	22,50		14,12	19,35	24,57	29,80	35,02	42,86	50,70	66,38	97,74
	Z	22,50		17,86	22,69	27,52	32,35	37,17	44,42	51,66	66,14	95,12
<b>A MÍNIMA=3,14</b>												
	Y	30,00			2,83	6,83	10,83	14,83	20,83	26,83	38,83	62,83
	L1	30,00			11,88	15,88	19,88	23,88	29,88	35,88	47,88	71,88
	L2	30,00			16,84	20,84	24,84	28,84	34,84	40,84	52,84	76,84
	Z	30,00			19,90	23,37	26,83	30,29	35,49	40,69	51,08	71,86
<b>A MÍNIMA=4,75</b>												
	Y	45,00				1,40	4,23	7,06	11,30	15,54	24,03	41,00
	L1	45,00					13,74	16,56	20,81	25,05	33,53	50,50
	L2	45,00					21,16	23,99	28,24	32,48	40,96	57,93
	Z	45,00					22,28	24,28	27,28	30,28	36,28	48,28
<b>A MÍNIMA=8,68</b>												
	Y	60,00					0,38	2,68	6,15	9,61	16,54	30,40
	L1	60,00							16,30	19,77	26,70	40,55
	L2	60,00							26,21	29,67	36,60	50,46
	Z	60,00							24,02	25,76	29,22	36,15
<b>A MÍNIMA=13,31</b>												
	Y	90,00								3,00	9,00	21,00
	L1	90,00									19,94	31,94
	L2	90,00									34,80	46,80
	Z	90,00									23,36	23,36
<b>A MÍNIMA=23,36</b>												
<b>IMC/RÍGIDO de 1/2</b>			Diámetro=0,84		Radio=2,74		X=2,84		A=Altura			
	Y	15,00	2,90	10,63	18,36	26,09	33,81	41,54	53,13	64,72	87,91	134,27
	L1	15,00	7,72	15,45	23,18	30,91	38,63	46,36	57,95	69,54	92,72	139,09
	L2	15,00	8,44	16,17	23,90	31,62	39,35	47,08	58,67	70,26	93,44	139,81
	Z	15,00	11,03	18,49	25,95	33,42	40,88	48,35	59,54	70,74	93,13	137,92
<b>A MÍNIMA=9,22</b>												
	Y	22,50	0,74	5,97	11,20	16,42	21,65	26,87	34,71	42,55	58,23	89,59
	L1	22,50	5,21	10,44	15,66	20,89	26,12	31,34	39,18	47,02	62,70	94,06
	L2	22,50	6,29	11,51	16,74	21,97	27,19	32,42	40,26	48,10	63,78	95,13
	Z	22,50	8,76	13,59	18,42	23,24	28,07	32,90	40,14	47,39	61,87	90,84
<b>A MÍNIMA=1,50</b>												
	Y	30,00		3,59	7,59	11,59	15,59	19,59	25,59	31,59	43,59	67,59
	L1	30,00		7,97	11,97	15,97	19,97	23,97	29,97	35,97	47,97	71,97
	L2	30,00		9,40	13,40	17,40	21,40	25,40	31,40	37,40	49,40	73,40
	Z	30,00		11,24	14,70	18,16	21,63	25,09	30,29	35,49	45,88	66,66
<b>A MÍNIMA=2,15</b>												
	Y	45,00		1,09	3,92	6,74	9,57	12,40	16,64	20,89	29,37	46,34
	L1	45,00		5,54	8,37	11,20	14,02	16,85	21,10	25,34	33,82	50,79
	L2	45,00		7,69	10,52	13,35	16,18	19,00	23,25	27,49	35,98	52,95
	Z	45,00		9,11	11,11	13,11	15,11	17,11	20,11	23,11	29,11	41,11
<b>A MÍNIMA=3,61</b>												
	Y	60,00			2,02	4,33	6,64	8,95	12,41	15,88	22,81	36,66
	L1	60,00			6,63	8,94	11,25	13,56	17,03	20,49	27,42	41,27
	L2	60,00			9,50	11,81	14,12	16,43	19,90	23,36	30,29	44,14
	Z	60,00			9,47	10,62	11,78	12,93	14,66	16,40	19,86	26,79
<b>A MÍNIMA=5,20</b>												
	Y	90,00				2,00	4,00	6,00	9,00	12,00	18,00	30,00
	L1	90,00					8,82	10,82	13,82	16,82	22,82	34,82
	L2	90,00					13,13	15,13	18,13	21,13	27,13	39,13
	Z	90,00					8,32	8,32	8,32	8,32	8,32	8,32
<b>A MÍNIMA=8,32</b>												

**Tabla de información especial sobre curvados (continuación)**

DIM	ÁNGULO	2 in	4 in	6 in	8 in	10 in	12 in	15 in	18 in	24 in	36 in
<b>IMC/RÍGIDO de 3/4</b>		Diámetro=1,05	Radio=4,76	X=2,84	A=Altura						
Y	15,00	2,23	9,96	17,69	25,41	33,14	40,87	52,46	64,05	87,23	133,60
L1	15,00	7,72	15,45	23,18	30,90	38,63	46,36	57,95	69,54	92,72	139,09
L2	15,00	8,97	16,69	24,42	32,15	39,88	47,60	59,19	70,79	93,97	140,33
Z	15,00	11,56	19,02	26,49	33,95	41,41	48,88	60,07	71,27	93,66	138,45
<b>A MÍNIMA=1,06</b>											
Y	22,50	0,07	5,29	10,52	15,75	20,97	26,20	34,04	41,88	57,56	88,91
L1	22,50	5,20	10,43	15,65	20,88	26,11	31,33	39,17	47,01	62,69	94,05
L2	22,50	7,07	12,30	17,52	22,75	27,98	33,20	41,04	48,88	64,56	95,92
Z	22,50	9,56	14,39	19,22	24,05	28,88	33,70	40,95	48,19	62,67	91,65
<b>A MÍNIMA=1,81</b>											
Y	30,00		2,83	6,83	10,83	14,83	18,83	24,83	30,83	42,83	66,83
L1	30,00		7,94	11,94	15,94	19,94	23,94	29,94	35,94	47,94	71,94
L2	30,00		10,43	14,43	18,43	22,43	26,43	32,43	38,43	50,43	74,43
Z	30,00		12,32	15,78	19,25	22,71	26,18	31,37	36,57	46,96	67,74
<b>A MÍNIMA=2,70</b>											
Y	45,00		0,10	2,93	5,76	8,59	11,42	15,66	19,90	28,39	45,36
L1	45,00			8,28	11,11	13,94	16,77	21,01	25,25	33,74	50,71
L2	45,00			12,02	14,85	17,68	20,50	24,75	28,99	37,47	54,45
Z	45,00			12,78	14,78	16,78	18,78	21,78	24,78	30,78	42,78
<b>A MÍNIMA=4,80</b>											
Y	60,00			0,73	3,04	5,35	7,66	11,13	14,59	21,52	35,37
L1	60,00				8,73	11,04	13,34	16,81	20,27	27,20	41,06
L2	60,00				13,71	16,02	18,33	21,79	25,26	32,19	46,04
Z	60,00				12,96	14,11	15,26	17,00	18,73	22,19	29,12
<b>A MÍNIMA=7,22</b>											
Y	90,00					1,38	3,88	6,88	9,88	15,88	27,88
L1	90,00							12,96	15,96	21,96	33,96
L2	90,00							20,43	23,43	29,43	41,43
Z	90,00							12,36	12,36	12,36	12,36
<b>A MÍNIMA=12,36</b>											
<b>IMC/RÍGIDO de 1</b>		Diámetro=1,315	Radio=6,05	X=3,54	A=Altura						
Y	15,00	0,85	8,58	16,31	24,03	31,76	39,49	51,08	62,67	85,85	132,22
L1	15,00	7,72	15,45	23,17	30,90	38,63	46,36	57,95	69,54	92,72	139,08
L2	15,00	9,30	17,03	24,76	32,48	40,21	47,94	59,53	71,12	94,30	140,67
Z	15,00	12,60	20,06	27,53	34,99	42,45	49,92	61,11	72,31	94,70	139,49
<b>A MÍNIMA=1,33</b>											
Y	22,50		3,99	9,22	14,44	19,67	24,90	32,74	40,57	56,25	87,61
L1	22,50		10,42	15,65	20,87	26,10	31,33	39,17	47,01	62,68	94,04
L2	22,50		12,80	18,02	23,25	28,48	33,70	41,54	49,38	65,06	96,42
Z	22,50		15,60	20,43	25,26	30,09	34,92	42,16	49,40	63,89	92,86
<b>A MÍNIMA=2,28</b>											
Y	30,00		1,52	5,52	9,52	13,52	17,52	23,52	29,52	41,52	65,52
L1	30,00		7,93	11,93	15,93	19,93	23,93	29,93	35,93	47,93	71,93
L2	30,00		11,09	15,09	19,09	23,09	27,09	33,09	39,09	51,09	75,09
Z	30,00		13,71	17,17	20,64	24,10	27,57	32,76	37,96	48,35	69,14
<b>A MÍNIMA=3,39</b>											
Y	45,00			1,51	4,34	7,17	9,99	14,24	18,48	26,97	43,94
L1	45,00				11,05	13,88	16,71	20,95	25,20	33,68	50,65
L2	45,00				15,81	18,63	21,46	25,70	29,95	38,43	55,40
Z	45,00				16,55	18,55	20,55	23,55	26,55	32,55	44,55
<b>A MÍNIMA=6,05</b>											
Y	60,00				1,45	3,75	6,06	9,53	12,99	19,92	33,78
L1	60,00					10,90	13,21	16,67	20,13	27,06	40,92
L2	60,00					17,23	19,54	23,01	26,47	33,40	47,25
Z	60,00					16,30	17,45	19,19	20,92	24,38	31,31
<b>A MÍNIMA=9,12</b>											
Y	90,00						1,75	4,75	7,75	13,75	25,75
L1	90,00								15,40	21,40	33,40
L2	90,00								24,91	30,91	42,91
Z	90,00								15,64	15,64	15,64
<b>A MÍNIMA=15,64</b>											

**Tabla de información especial sobre curvados (continuación)**

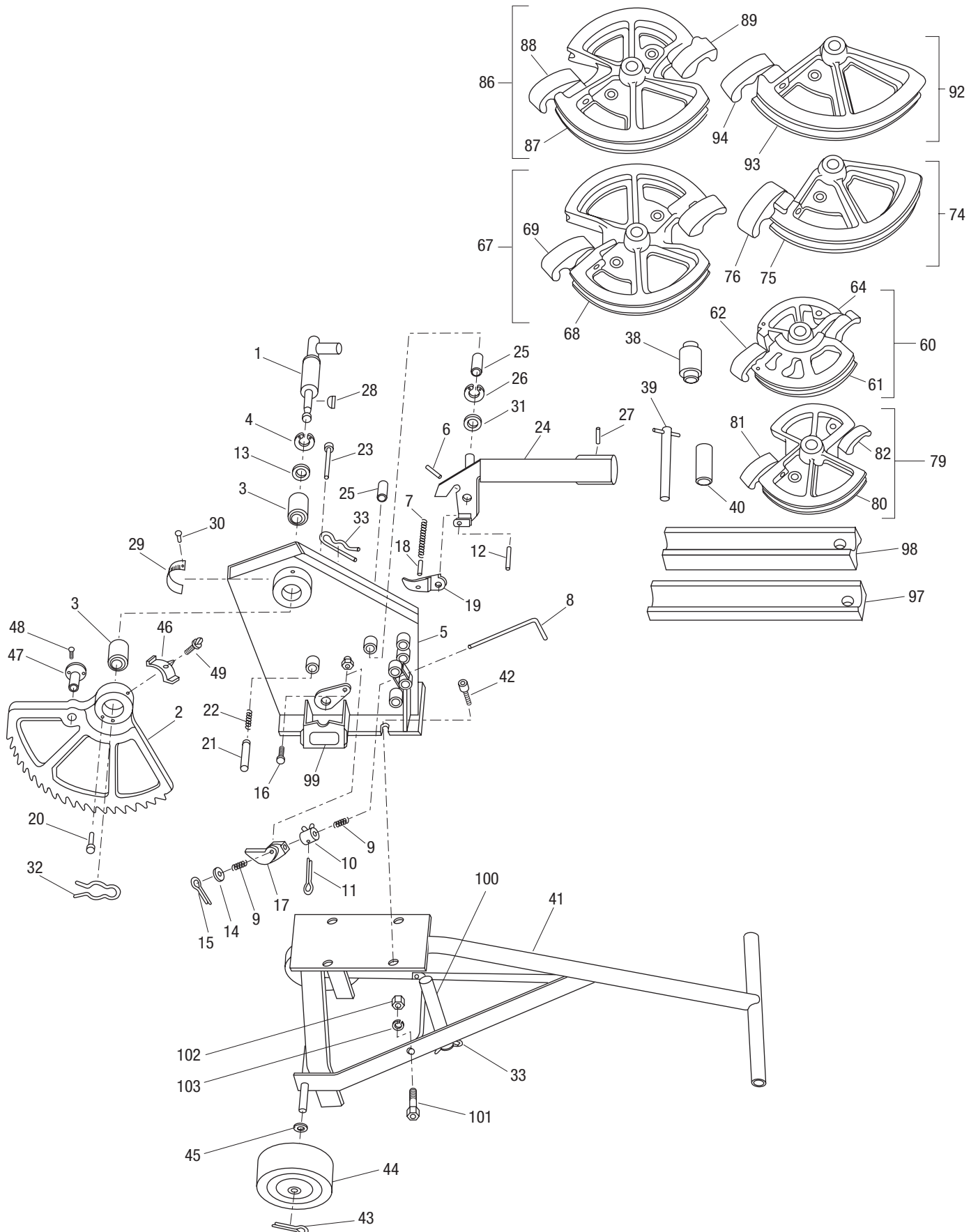
DIM	ÁNGULO	2 in	4 in	6 in	8 in	10 in	12 in	15 in	18 in	24 in	36 in	
<b>IMC/RÍGIDO de 1-1/4</b> Diámetro=1,66      Radio=7,6      X=3,95      A=Altura												
	Y	15,00		7,30	15,02	22,75	30,48	38,21	49,80	61,39	84,57	130,94
	L1	15,00	7,72	15,44	23,17	30,90	38,63	46,35	57,94	69,54	92,72	139,08
	L2	15,00	9,71	17,43	25,16	32,89	40,62	48,34	59,93	71,52	94,71	141,07
	Z	15,00	13,42	20,88	28,34	35,81	43,27	50,74	61,93	73,13	95,52	140,30
<b>A MÍNIMA=1,54</b>												
	Y	22,50		2,82	8,05	13,27	18,50	23,73	31,57	39,41	55,08	86,44
	L1	22,50		10,41	15,64	20,87	26,09	31,32	39,16	47,00	62,68	94,03
	L2	22,50		13,40	18,62	23,85	29,08	34,30	42,14	49,98	65,66	97,02
	Z	22,50		16,63	21,46	26,29	31,12	35,94	43,19	50,43	64,91	93,89
<b>A MÍNIMA=2,67</b>												
	Y	30,00		0,35	4,35	8,35	12,35	16,35	22,35	28,35	40,35	64,35
	L1	30,00			11,91	15,91	19,91	23,91	29,91	35,91	47,91	71,91
	L2	30,00			15,89	19,89	23,89	27,89	33,89	39,89	51,89	75,89
	Z	30,00			18,42	21,88	25,34	28,81	34,00	39,20	49,59	70,38
<b>A MÍNIMA=4,01</b>												
	Y	45,00			0,21	3,04	5,87	8,70	12,94	17,18	25,67	42,64
	L1	45,00				10,99	13,82	16,64	20,89	25,13	33,61	50,58
	L2	45,00				16,96	19,78	22,61	26,86	31,10	39,58	56,55
	Z	45,00				18,25	20,25	22,25	25,25	28,25	34,25	46,25
<b>A MÍNIMA=7,25</b>												
	Y	60,00					2,25	4,56	8,02	11,49	18,42	32,27
	L1	60,00						13,04	16,50	19,97	26,90	40,75
	L2	60,00						21,00	24,46	27,93	34,85	48,71
	Z	60,00						19,65	21,39	23,12	26,58	33,51
<b>A MÍNIMA=11,02</b>												
	Y	90,00							2,62	5,62	11,62	23,62
	L1	90,00									20,74	32,74
	L2	90,00									32,68	44,68
	Z	90,00									19,15	19,15
<b>A MÍNIMA=19,15</b>												
<b>IMC/RÍGIDO de 1-1/2</b> Diámetro=1,9      Radio=9,27      X=4,78      A=Altura												
	Y	15,00		5,78	13,51	21,24	28,97	36,69	48,28	59,88	83,06	129,42
	L1	15,00	7,71	15,44	23,17	30,9	38,62	46,35	57,94	69,53	92,71	139,08
	L2	15,00	10,14	17,87	25,60	33,32	41,05	48,78	60,37	71,96	95,14	141,51
	Z	15,00	14,68	22,15	29,61	37,08	44,54	52,01	63,20	74,40	96,79	141,57
<b>A MÍNIMA=1,87</b>												
	Y	22,50		1,35	6,57	11,80	17,02	22,25	30,09	37,93	53,61	84,97
	L1	22,50		10,40	15,63	20,86	26,08	31,31	39,15	46,99	62,67	94,03
	L2	22,50		14,05	19,27	24,50	29,72	34,95	42,79	50,63	66,31	97,67
	Z	22,50		18,12	22,95	27,78	32,61	37,44	44,68	51,92	66,41	95,38
<b>A MÍNIMA=3,2</b>												
	Y	30,00			2,84	6,84	10,84	14,84	20,84	26,84	38,84	62,84
	L1	30,00			11,89	15,89	19,89	23,89	29,89	35,89	47,89	71,89
	L2	30,00			16,74	20,74	24,74	28,74	34,74	40,74	52,74	76,74
	Z	30,00			20,14	23,60	27,07	30,53	35,73	40,92	51,32	72,10
<b>A MÍNIMA=4,87</b>												
	Y	45,00				1,35	4,18	7,01	11,25	15,49	23,98	40,95
	L1	45,00					13,74	16,57	20,81	25,06	33,54	50,51
	L2	45,00					21,02	23,85	28,09	32,34	40,82	57,79
	Z	45,00					22,46	24,46	27,46	30,46	36,46	48,46
<b>A MÍNIMA=8,81</b>												
	Y	60,00					0,32	2,63	6,09	9,56	16,48	30,34
	L1	60,00							16,32	19,79	26,72	40,57
	L2	60,00							26,03	29,50	36,42	50,28
	Z	60,00							24,14	25,88	29,34	36,27
<b>A MÍNIMA=13,41</b>												
	Y	90,00								3,00	9,00	21,00
	L1	90,00									20,02	32,02
	L2	90,00									34,58	46,58
	Z	90,00									23,32	23,32
<b>A MÍNIMA=23,32</b>												

**Tabla de información especial sobre curvados (continuación)**

	DIM	ÁNGULO	2 in	4 in	6 in	8 in	10 in	12 in	15 in	18 in	24 in	36 in
<b>IMC/RÍGIDO de 2</b>			Diámetro=2,375		Radio=10,78		X=4,35		A=Altura			
<b>A MÍNIMA=1,86</b>	Y	15,00		5,10	12,82	20,55	28,28	36,01	47,60	59,19	82,37	128,74
	L1	15,00	7,71	15,44	23,17	30,89	38,62	46,35	57,94	69,53	92,71	139,08
	L2	15,00	10,53	18,26	25,99	33,72	41,44	49,17	60,76	72,35	95,53	141,9
	Z	15,00	14,65	22,12	29,58	37,04	44,51	51,97	63,17	74,37	96,76	141,54
<b>A MÍNIMA=3,31</b>	Y	22,50		0,86	6,08	11,31	16,53	21,76	29,60	37,44	53,12	84,48
	L1	22,50		10,40	15,62	20,85	26,08	31,30	39,14	46,98	62,66	94,02
	L2	22,50		14,63	19,86	25,08	30,31	35,54	43,37	51,21	66,89	98,25
	Z	22,50		18,30	23,12	27,95	32,78	37,61	44,85	52,09	66,58	95,55
<b>A MÍNIMA=5,06</b>	Y	30,00			2,39	6,39	10,39	14,39	20,39	26,39	38,39	62,39
	L1	30,00			11,87	15,87	19,87	23,87	29,87	35,87	47,87	71,87
	L2	30,00			17,51	21,51	25,51	29,51	35,51	41,51	53,51	77,51
	Z	30,00			20,52	23,98	27,45	30,91	36,11	41,30	51,70	72,48
<b>A MÍNIMA=9,39</b>	Y	45,00				0,82	3,65	6,48	10,72	14,96	23,45	40,42
	L1	45,00					13,68	16,51	20,75	24,99	33,48	50,45
	L2	45,00					22,14	24,97	29,22	33,46	41,94	58,91
	Z	45,00					23,28	25,28	28,28	31,28	37,28	49,28
<b>A MÍNIMA=14,55</b>	Y	60,00						1,91	5,38	8,84	15,77	29,62
	L1	60,00							16,16	19,63	26,55	40,41
	L2	60,00							27,45	30,91	37,84	51,70
	Z	60,00							25,46	27,19	30,65	37,58
<b>A MÍNIMA=25,91</b>	Y	90,00								1,68	7,68	19,68
	L1	90,00										31,37
	L2	90,00										48,31
	Z	90,00										25,91



**1818 Mechanical Bender—Illustration**



## 1818 Mechanical Bender—Parts List

(Benders with Serial No. YY-0000GK and Up)

Mechanical Bender with attachments for bending 1/2" thru 1-1/2" rigid steel and aluminum conduit, 2" aluminum conduit, 3/4" thru 2" thin wall (EMT) conduit, and 1/2" thru 1-1/4" IMC (includes # 1 thru 84).

When ordering parts, give serial number of unit.

Key	Part No.	Description	Qty	Key	Part No.	Description	Qty
1	50361988	Shaft weldment shoe .....	1	50		Decal, stub-up.....	1
2	50360949	Segment (includes #46–49).....	1	51		Nut, 3/8-16 hex .....	1
3	90540131	Bearing, Garlock #40DU40 .....	2	52		ID decal .....	2
4		Ring, retaining, Truarc #5100-250.....	1	60	50188275	Shoe unit, 1/2, 3/4 and 1" rigid (includes #61–66).....	1
5	50361643	Frame weldment.....	1	61		Shoe, 1/2, 3/4, and 1" rigid .....	1
6		Pin, roll .187 x 1.62.....	1	62	50188097	Hook, 1" rigid .....	1
7	90540140	Spring, drive pawl .....	1	63	50188364	Pin, 1" rigid hook (not shown).....	1
8	50360680	Handle, lock .....	1	64	50188151	Hook, 3/4" rigid .....	1
9	90540158	Spring, handle .....	2	65	90515277	Ring, retaining, Truarc #5160-62 (not shown) ....	4
10	50360809	Dog, unload lock B.....	1	66	50188356	Pin, 3/4" rigid hook (not shown).....	1
11		Pin, cotter 3/32 x 1.25.....	1	67	50188283	Shoe unit, 1-1/4" and 1-1/2" rigid (includes #68–73).....	1
12		Pin, dowel .500 x 2.00.....	1	68		Shoe, 1-1/4" and 1-1/2" rigid.....	1
13	50362054	Washer, thrust 2.50 x 3.25 x .050.....	1	69	50188119	Hook, 1-1/2" rigid.....	1
14		Washer, flat .390 x .625 x .062 .....	1	70	50188380	Pin, 1-1/2" rigid hook (not shown).....	1
15		Pin, cotter .093 x .750 .....	1	71	50188135	Hook, 1-1/4" rigid.....	4
16		Screw, shoulder .50 x 2.50.....	1	72	90515285	Ring, retaining, Truarc #5160-75-S-PP (not shown).....	1
17	50360760	Pawl, lock C .....	1	73	50188372	Pin, 1-1/4" rigid hook (not shown).....	1
18	50360868	Pin, spring .....	1	74	50188291	Shoe unit, 2" rigid aluminum conduit..... (includes #75–78, optional)	1
19	50360787	Pawl, drive C .....	1	75		Shoe, 2" rigid aluminum conduit (optional) .....	1
20		Screw, cap 5/16-18 x 1-1/4 socket head.....	1	76	50188070	Hook, 2" rigid (optional).....	1
21	50360906	Pin, friction .....	1	77	50188380	Pin, 2" rigid hook (not shown–optional) .....	4
22	90540166	Spring, friction pin.....	1	78	90515285	Ring, retaining, Truarc #5160-75-S-PP (not shown).....	1
23		Screw, cap 1/4-20 x 3-1/2 hex head.....	1	79	50188305	Shoe unit, 3/4 and 1" EMT (includes #80–85)....	1
24	50361651	Arm weldment, ratchet.....	1	80		Shoe, 3/4 and 1" EMT .....	1
25	90540204	Bearing, Garlock #16DU16 .....	2	81	50188240	Hook, 1" EMT .....	1
26	90513010	Ring, retaining, Truarc #5160-98 .....	1	82	50188267	Hook, 3/4" EMT.....	1
27		Screw, set 3/8-24 x .250 UNF .....	1	83	50188402	Pin, 1" EMT hook (not shown).....	1
28	90515900	Key, #15 Woodruff.....	1	84	50188399	Pin, 3/4" EMT hook (not shown).....	1
29	50362046	Dial indicator .....	1	85	90515277	Ring, retaining, Truarc #5160-62 (not shown) ....	4
30	90506707	Drive screw, #2 .08 x .25.....	2	86	50188313	Shoe unit, 1-1/4 and 1-1/2" EMT (includes #87–91).....	1
31		Washer, thrust 1.00 x 1.56 x .050.....	1	87		Shoe, 1-1/4 and 1-1/2" EMT .....	1
32	50187724	Clip, retaining .....	2	88	50188208	Hook, 1-1/2" EMT .....	1
33		Clip, #8 hitch pin .....	2	89	50188224	Hook, 1-1/4" EMT .....	1
34		Decal, caution handle.....	1	90	50188410	Pin, 1-1/4 and 1-1/2" EMT hook (not shown).....	2
35		Decal, instruction .....	1	91	90515293	Ring, retaining, Truarc #5160-87 (not shown) ....	4
36		Decal, bending instructions.....	1	92	50188321	Shoe unit, 2" EMT (includes #93–96) .....	1
37		Decal, bending, unload .....	1	94	50188186	Hook, 2" EMT .....	1
38	50186817	Roller unit .....	1	95	50188429	Pin, 2" EMT hook (not shown).....	1
39	50366971	Pin unit–roller.....	1	96	90515293	Ring, retaining, Truarc #5160-87 (not shown) ....	4
40	50362968	Roller–follow bar.....	1	97	50186361	Bar, 2" EMT follow.....	1
41	50084291	Carriage unit (includes #43–45).....	1	98	50186426	Bar, 1-1/4 and 1-1/2" EMT follow.....	1
42		Screw, cap 1/2-13 x .75 socket head .....	4	99		Decal .....	1
43	90506545	Pin, cotter 1/8 x 1 .....	2	100		Shoe storage .....	1
44	90553276	Wheel, 8" O.D.....	2	101		Screw, 3/8-16 x 1 hex head cap .....	2
	90515099	Wheel, 8" O.D. (benders with serial numbers preceding YY8000) .....	2	102		Nut, 3/8-16 jam hex.....	2
45	90517407	Washer, flat.....	2	103		Lock washer, 3/8 .....	2
46	50362011	Pointer, adjustable.....	1				
47	50360914	Pin, drive .....	1				
48		Screw, machine #10-32 x 1/2 flat head.....	2				
49		Screw, thumb 1/4-20 x 1/2 Type S.....	1				







4455 Boeing Drive • Rockford, IL 61109-2988 • USA • 815-397-7070  
©2019 Greenlee Tools, Inc. • An ISO 9001 Company

[www.greenlee.com](http://www.greenlee.com)

**USA** Tel: 800-435-0786  
Fax: 800-451-2632

**Canada** Tel: 800-435-0786  
Fax: 800-524-2853

**International** Tel: +1-815-397-7070  
Fax: +1-815-397-9247