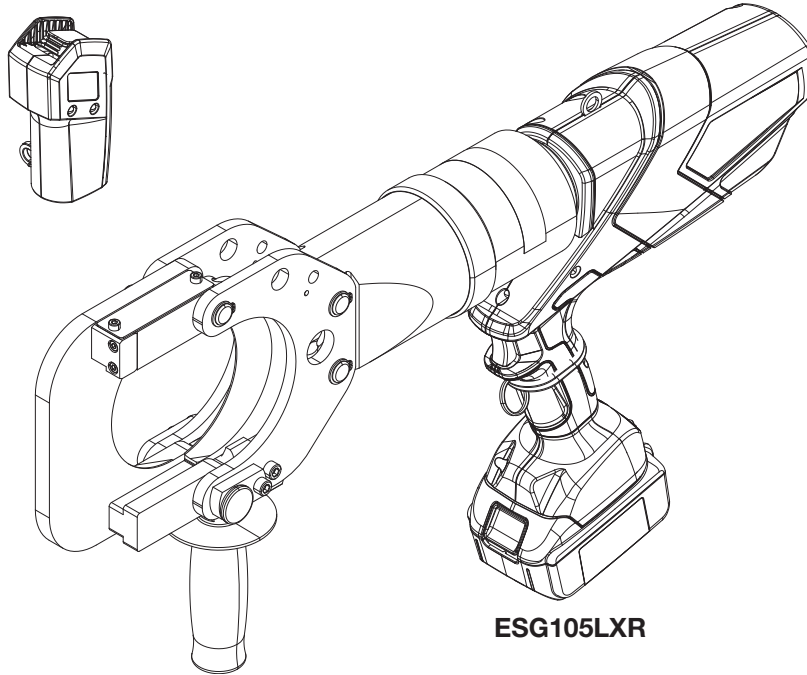


# INSTRUCTION MANUAL



Record serial number here

(See pg. 10 for  
LCD screen instr.)



E114954



REG F931

Español.....17-32  
Français.....33-48

ESG105LXR

## Remote Cable Cutter with End-Position Blade and Wireless Remote



**Read and understand** all of the instructions and safety information in this manual before operating or servicing this tool.

**KEEP THIS MANUAL**


## Table of Contents

Cover Page.....	1
Table of Contents .....	2
Safety Symbols Key .....	3
General Power Tool Safety .....	4-5
Tool Specific Safety Information.....	6
Greenlee Contact Information .....	6
Tool Description.....	7
Important Features .....	7
Specifications.....	7
Tool Identification .....	8
Remote Identification .....	8
Decals & Locations.....	9
OLED Screen.....	10
Bluetooth/I-Press App.....	10
Training & Qualifications .....	11
Pre-Operation Inspection .....	11
Work Area & Tool Set-Up.....	11
Tool Operation .....	12
Cutting Profile Selection.....	12
Handheld Profile .....	12
Remote Operation .....	13
Maintenance.....	14
Storage.....	14
Service.....	14
Troubleshooting.....	15
Disposal.....	16
Warranty .....	16
Required Statements.....	16

***KEEP THIS MANUAL***

## Safety Symbols Key

In this operator’s manual and on the product, safety symbols and signal words are used to communicate important safety information. This section is provided to improve understanding of these signal words and symbols.

 This is the safety alert symbol. It is used to alert you to potential personal injury hazards. Obey all safety messages that follow this symbol to avoid possible injury or death.

### **DANGER**


indicates a hazardous situation which, if not avoided, Will result in death or serious injury.


### **WARNING**


indicates a hazardous situation which, if not avoided, could result in death or serious injury.


### **CAUTION**


indicates hazards or unsafe practices which, if not avoided, MAY result in injury or property damage.


	This symbol means read the operator’s manual carefully before using the equipment. The operator’s manual contains important information on the safe and proper operation of the equipment.
---	--


	This symbol means always wear safety glasses with side shields or goggles when handling or using this equipment to reduce the risk of eye injury.
---	---

	Always wear gloves when using this equipment to reduce the risk of injury.
---	--

	This symbols indicates the risk of electrical shock.
--	--

	This symbol indicates the risk of arc flash.
--	--

	This symbol indicates the risk of hands, fingers or other body parts being cut or severed.
--	--

	This symbol indicates the risk of striking injuries.
--	--

**General Power Tool Safety\*****⚠ WARNING**

Read all safety warnings, instructions, illustrations and specifications provided with this power tool. Failure to follow all instructions listed below may result in electric shock, fire and/or serious injury.

**SAVE ALL WARNINGS AND INSTRUCTIONS FOR FUTURE REFERENCE.**

The term “power tool” in the warnings refers to your mains-operated (corded) power tool or battery operated (cordless) power tool.

**WORK AREA SAFETY**

- **Keep your work area clean and well lit.** Cluttered or dark areas invite accidents.
- **Do not operate power tools in explosive atmospheres, such as in the presence of flammable liquids, gases or dust.** Power tools create sparks which may ignite the dust or fumes.
- Keep children and bystanders away while operating a power tool. Distractions can cause you to lose control.

**ELECTRICAL SAFETY**

- **Power tool plugs must match the outlet. Never modify the plug in any way.** Do not use any adapter plugs with earthed (grounded) power tools. Unmodified plugs and matching outlets will reduce risk of electric shock.
- **Avoid body contact with earthed or grounded surfaces, such as pipes, radiators, ranges and refrigerators.** There is an increased risk of electric shock if your body is earthed or grounded.
- **Do not expose power tools to rain or wet conditions.** Water entering a power tool will increase the risk of electric shock.
- **Do not abuse the cord. Never use the cord for carrying, pulling or unplugging the power tool.** Keep cord away from heat, oil, sharp edges or moving parts. Damaged or entangled cords increase the risk of electric shock.
- **When operating a power tool outdoors, use an extension cord suitable for outdoor use.** Use of a cord suitable for outdoor use reduces the risk of electric shock.
- **If operating a power tool in a damp location is unavoidable, use a RESIDUAL CURRENT DEVICE (RCD) protected supply.** Use of an RCD reduces the risk of electric shock.

**PERSONAL SAFETY**

- **Stay alert, watch what you are doing and use common sense when operating a power tool.** Do not use a power tool while you are tired or under the influence of drugs, alcohol or medication. A moment of inattention while operating power tools may result in serious personal injury.
- **Use personal protective equipment (PPE).** Always wear eye protection. Protective equipment such as dust mask, non-skid safety shoes, hard hat, or hearing protection used for appropriate conditions will reduce personal injuries.
- **Prevent unintentional starting.** Ensure the switch is in the off-position before connecting to power source and/or BATTERY pack, picking up or carrying the tool. Carrying power tools with your finger on the switch or energizing power tools that have the switch on invites accidents.
- **Remove any adjusting key or wrench before turning the power tool on.** A wrench or a key left attached to a rotating part of the power tool may result in personal injury.
- **Do not overreach. Keep proper footing and balance at all times.** This enables better control of the power tool in unexpected situations.
- **Dress properly.** Do not wear loose clothing or jewelry. Keep your hair, clothing and gloves away from moving parts. Loose clothes, jewelry or long hair can be caught in moving parts.
- **If devices are provided for the connection of dust extraction and collection facilities, ensure these are connected and properly used.** Use of dust collection can reduce dust-related hazards.
- **Do not let familiarity gained from frequent use of tools allow you to become complacent and ignore tool safety principles.** A careless action can cause severe injury within a fraction of a second.

**POWER TOOL USE AND CARE**

- **Do not force the power tool.** Use the correct power tool for your application. The correct power tool will do the job better and safer at the rate for which it was designed.
- **Do not use the power tool if the switch does not turn it on and off.** Any power tool that cannot be controlled with the switch is dangerous and must be repaired.
- **Disconnect the plug from the power source and/or remove the BATTERY pack, if detachable, from the power tool before making any adjustments, changing accessories, or storing power tools.** Such preventive safety measures reduce the risk of starting the power tool accidentally.

- **Store idle power tools out of the reach of children and do not allow persons unfamiliar with the power tool or these instructions to operate the power tool.**
- **Power tools are dangerous in the hands of untrained users.**
- **Maintain power tools and accessories. Check for misalignment or binding of moving parts, breakage of parts and any other condition that may affect the power tool's operation.**
- **If damaged, have the power tool repaired before use.** Many accidents are caused by poorly maintained power tools.
- **Keep cutting tools sharp and clean.** Properly maintained cutting tools with sharp cutting edges are less likely to bind and are easier to control.
- **Use the power tool, accessories and tool bits etc. in accordance with these instructions, taking into account the working conditions and the work to be performed.** Use of the power tool for operations different from those intended could result in a hazardous situation.
- **Keep handles and grasping surfaces dry, clean and free from oil and grease.** Slippery handles and grasping surfaces do not allow for safe handling and control of the tool in unexpected situations.

## **BATTERY TOOL USE AND CARE**

- **Recharge only with the charger specified by the manufacturer.** A charger that is suitable for one type of BATTERY pack may create a risk of fire when used with another BATTERY pack.
- **Use power tool only with specifically designated BATTERY packs.** Use of any other BATTERY packs may create a risk of injury and fire. When BATTERY pack is not in use, keep it away from other metal objects, like paper clip, coins, keys, nails, screws or other small metal objects, that can make a connection from one terminal to another. Shorting the BATTERY terminals together may cause burns or a fire.
- **Under abusive conditions, liquid may be ejected from the BATTERY; avoid contact.** If contact accidentally occurs, flush with water. If liquid contacts eyes, additionally seek medical help. Liquid ejected from the BATTERY may cause irritation or burns.
- **Do not use a BATTERY pack or tool that is damaged or modified.** Damaged or modified batteries may exhibit unpredictable behavior resulting in fire, EXPLOSION or risk of injury.
- **Do not expose a BATTERY pack or tool to fire or excessive temperature.** Exposure to fire or temperature above 265°F (130°C) may cause explosion.

- **Follow all charging instructions and do not charge the BATTERY pack or tool outside the temperature range specified in the instructions.** Charging improperly or at temperatures outside the specified range may damage the battery and increase the risk of fire.


## **SERVICE**

- **Have your power tool serviced by a qualified repair person using only identical replacement parts.** This will ensure that the safety of the power tools is maintained.
- **Never service damaged battery packs. Service of battery packs should only be performed by manufacturer or authorized service providers.**

*\* The text used in the General Power Tool Safety Warnings section of this manual is required from the applicable EN 62841-1 standard to which this tool is tested. This section contains general safety practices for many different types of power tools. Not every precaution applies to every tool, and some may not apply to this tool.*

**Tool Specific Safety Information**

**⚠ WARNING**



- **Use the correct tool, accessories, etc. for your application.** The correct tool will do the job better and safer at the rate for which it was designed. Use of the tool for operations different from those intended can result in a hazardous situation. Keep this manual with the tool in the space provided in carrying case.
- **Before operating this tool, read and understand:**
  - This operation manual
  - The battery/charger manual
  - The instructions and warnings for any other equipment or material used with this tool
  - Markings on the tool
  - Required work-site safety procedures
- **Follow all appropriate and required work procedures and wear all required PPE when on jobsite working near energized electrical lines.** If you are not trained and familiar with appropriate jobsite and PPE requirements do not use this tool.
- **This tool is not insulated.** When using this unit near energized electrical lines, use proper personal protective equipment.
- **Do not use on live electrical lines.** This reduces the risk of electrical shock and arc flash.
- **During remote usage of this tool, remain outside of the arc flash boundary in accordance with NFPA 70E for the conductor being cut to reduce the risk of severe injury.**
- **Do not cut cable under tension. Cable can whip and strike when cut and result in severe injury or death.**
- **Large forces are generated during use that can break or throw parts and cause injury.** Keep all unnecessary personnel away from work area and wear appropriate PPE.

- **Do not modify tool.** Modifying the tool in any manner may result in personal injury and voidance of the tool's warranty. A head that has been welded, ground, drilled or modified in any manner can break during use. To reduce risk of injury, replace the whole damaged head never individual components. Discard damaged heads using proper disposal methods.
- **Keep your fingers and hands away from the tool head during the operating cycle.** Your fingers or hands can be crushed, fractured or amputated if they become caught in the tool head or between the tool head and other objects.
- **Remove battery before interacting with the cutting head.**
- **One person must control work process and machine operation.** Only the operator should be in the area when the tool is running.

**Greenlee Contact Information**

If you have any questions, need to arrange service or purchase parts or accessories for this Greenlee product: Contact your local Greenlee distributor or Greenlee's Customer Service Center.

Additional copies of this manual are available for download at [www.greenlee.com](http://www.greenlee.com)

**Greenlee Customer Service**

USA: 1-800-435-0786 | Canada: 800-435-0786

International: 1-815-397-7070

[GRNCustomerService@emerson.com](mailto:GRNCustomerService@emerson.com)

**Shipping address:**

Greenlee Factory Service Center

4411 Boeing Dr., Rockford, IL 61109

## Tool Description

The Remote Cable Cutter with End-Position Blade and Wireless Remote is designed to allow cutting in two profiles, handheld and remote. It is intended to cut the following:

- **ESG105LXR:** Multi-Phase Cable up to 4-1/8" (105 mm) in diameter. This tool is intended to cut most low- and medium-voltage stranded copper and aluminum cable as well as lead or soft steel armored cable found on job sites.

This tool is not intended for use on EHS guy wire, Steel Rod, Steel Cable or ACSR cable. The tool is protected by U.S. Patent No. 6,206,663, 6,276,186, 6,401,515, and 6,718,870. Patent pending.

## Important Features

- Two usage profiles, traditional Handheld and Remote
  - Remote operation allows the operator to be physically separated from the cutting tool when making a cut. This feature is useful for keeping the operator out of arc flash range when cutting a cable where it is uncertain the line is de-energized.
  - The remote is equipped with a light and sound signal to inform the user when the blade is moving and when the cut has been completed.
- Bluetooth® connectivity to the Greenlee I-Press App

*Bluetooth is a registered trademark of BLUETOOTH SIG, Inc.*

- OLED screen for a clear readout of tool information.
- An electric brake that stops the forward motion of the blade when the remote trigger is released.
- A retract button controlling a Mag-Lock Release Solenoid to retract the blade at any time in remote mode.
- The tool incorporates an automatic retraction that returns the blade to the starting position when the cut is finished in handheld mode.
- The cutting head has been designed to rotate 350° around the longitudinal axis in order to gain the best access to tight corners and other difficult working areas.

## Specifications

### ESG105LXR Cutting Tool

Length: .....	24.4" (620 mm)
Width: .....	3.00" (76 mm)
Height (With battery): .....	14.6" (371 mm)
Weight (With battery): .....	22.3 lb (10.1 kg)

### Cutting Capacities:

Max. Cable Cutting Diameter: ..... 4-1/8" (105 mm)

Cable Materials: ..... Multi-phase cable copper, aluminum, lead armored, and soft steel armored cable

**Not intended for use on EHS guy wire, Steel Rod, Steel Cable or ACSR cable.**

**This tool is not intended for use in marine applications.**

Operating Temperature Range: ..... 4 °F to 104 °F  
(-20 °C to 40 °C)

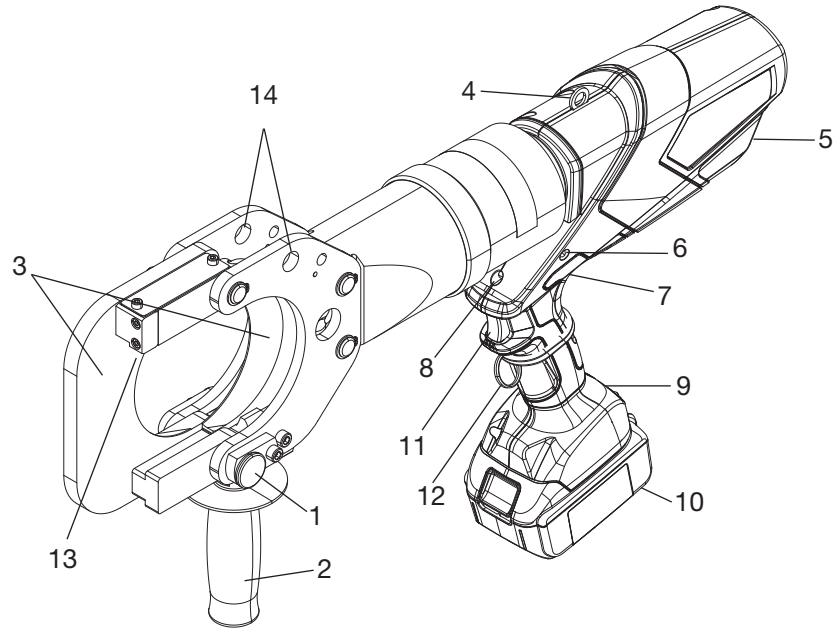
Tool Battery: ..... 18 V MAKITA® LXT® Lithium ion

Remote Battery: ..... AA (LR03)

All specifications are nominal and may change as design improvements occur.

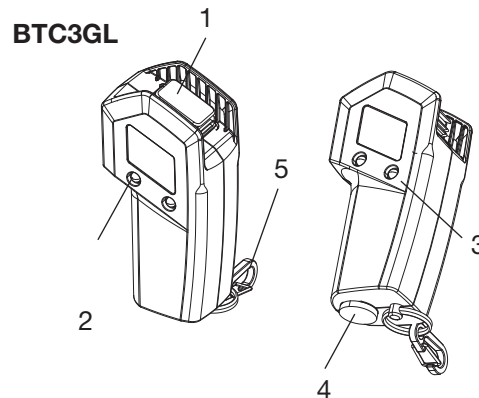
## Tool Identification

1. Pull Pin
2. Handle (removable)
3. Blades
4. Lifting Tie Offs
5. Housing
6. Tool Indicator LED (red)
7. Retract Button
8. Working Tool LED (white)
9. OLED Screen
10. Battery
11. Trigger
12. Trigger Lockout
13. Blade Position Sensor
14. Ground Points



## Remote Identification

1. Remote Operation Toggle Switch
2. Blade Movement LED (green)
3. Bluetooth Connectivity
4. Battery Port Cover LED (blue)
5. Carrying Strap Clip



## Tool Indicator LED Table

What happens	Signal Red	What it means	What to do
Tool will <b>not</b> start, and constant light for 20 seconds when trigger is released	■	Battery charge low	Change or charge battery
Tool will stop, and constant light for 20 seconds after trigger is released	■		
Tool will stop, and flashing light for 20 seconds when trigger is released	●●●●	Motor current exceeds 20 A during cycle	Let tool cool
		Circuit has become too hot	
Flashing light for 20 seconds at end of cycle	●●●●		Send tool in for service

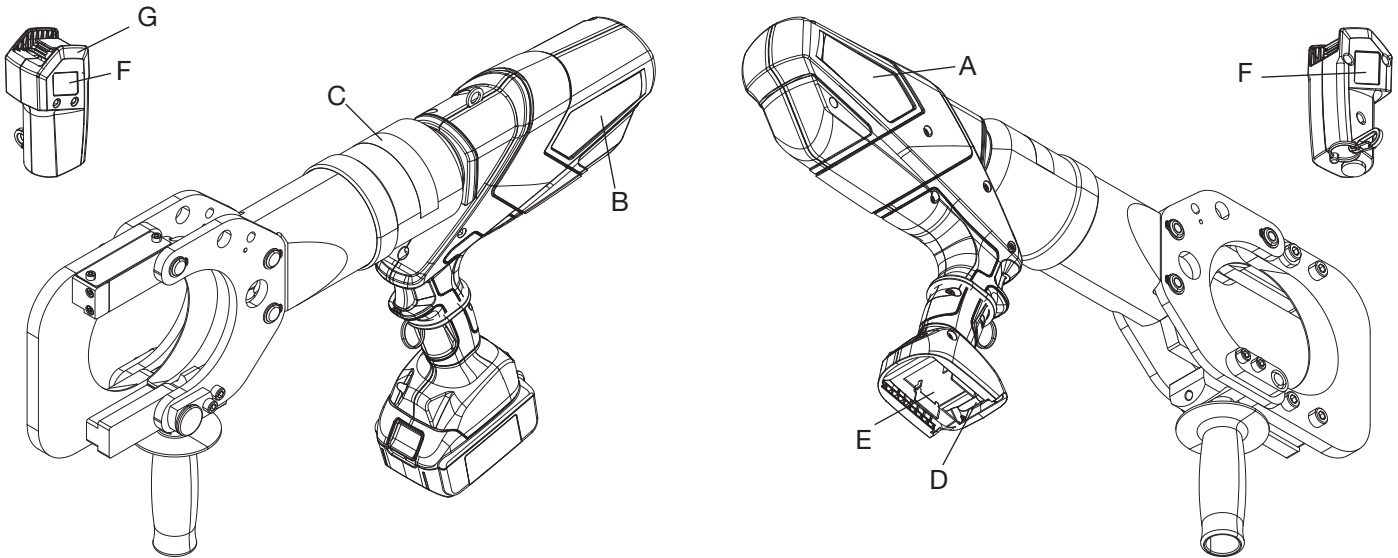
## Remote LED Signals Table

What happens	Signal		What it means
	Green	Blue	
Blue light flashes. Green remains off.		☀☀	Searching for Bluetooth signal from tool.
Blue light solid. Green remains off.		■	Bluetooth signal found and paired.
Green light blinks and blue light is solid.	☀	■	Tool blade is moving.
Green and blue lights both blink.	☀☀	☀☀	Battery power is low.
Green and blue lights are both solid. A sound is heard from remote.	■	■	Cut is complete and blade has retracted.






**Decals & Locations**

- A. Model Information (52079313)
- B. Brand and MFG Identification (52087864)
- C. Cutting Hazard (52024564)
- D. MFG Address Decal (52087869)
- E. FCC Certification (52087786)
- F. Remote Information (52087866)
- G. Remote ID Etching



**A. ESG105LXR BATTERY CABLE CUTTER**  
 Capacity: 4-1/8" (105 mm) dia.  
 Cut only copper and aluminum conductors, including lead and soft steel armored cable.  
**DO NOT CUT STEEL ROD, STEEL CABLE, OR ACSR**  
 For use only with 18V  $\Rightarrow$  Makita® Battery

U.S. Pat. No. 6,206,663, 6,276,186, 6,401,515 and 6,718,870  
 Patent Pending

E114954

52087864

**B. GREENLEE GATOR**



Made in Germany 52079313 REV1

**C.**



**D. GREENLEE**  
 Greenlee Tools Inc.  
 4455 Boeing Drive,  
 Rockford IL  
 61109-2988 USA

**E. FCC ID: RFR-S50 • IC: 4957A-S50**  
 Model: X

This device complies with Part 15 of the FCC Rules and with Industry Canada licence-exempt RSS standard(s). Operation is subject to the following two conditions: (1) this device may not cause harmful interference, and (2) this device must accept any interference received, including interference that may cause undesired operation

52087786

**F. GREENLEE**

**BTC3GL**  
 Bluetooth control  
 FCC ID: RFR-S50

52087866

BT  LRO3 AAA

BT  WORK  CUT 

52087866

## OLED Screen



This tool has an OLED screen that displays information about the tool.

Turn on the screen by inserting the battery and clicking the trigger.

In the handheld profile, cycle through the various displays using the left and right buttons on either side of the screen. (see Figure 1) The screens will not cycle if the remote is paired with the tool.

The screen will also display error codes in the event of abnormal operation. See Troubleshooting section error code table.

**Figure 1 - OLED Operation Screens**

Display	OLED Screen	Information Shown
0	 <b>GREENLEE®</b>	
1	P  P PSI P PSI	Bluetooth® status, battery charge, current pressure, max. pressure. Press and hold both buttons to change units, select with right button, and confirm by jogging the tool.
2	FW: INFO 2.0 123456AB001	Firmware version, serial number
3	CURRENT USER : 1	Profile Mode Select screen to choose between Remote and Handheld profile operations
4	# ODS # DAYS	Cycles and days until next service.
5	TOTAL: T= 0.0h Q= 0.0Ah n= 0	Elapsed operating hours (T), Ah used (Q), and number of cycles (n) since date of manufacture.

## Bluetooth/i-Press App

This tool has Bluetooth capability that allows it to communicate with the Greenlee i-press App on your smart device.

1. Install the “i-press Klauke Software Solutions” app from the App Store or Google Play. Open the app on your smart device and select the “Greenlee” option.
2. Switch on the Bluetooth function on your smart device and activate the tool to establish a connection.
3. The app will allow you to create projects, personalize your tool, display tool pressure readings, battery charge, the last service date, and more.

Instructions how to use the app are shown in the i-press app itself; alternately, request MA6864 brochure from any Greenlee distributor.

If the tool is paired with the remote it will not connect with the app.



*i-Press is a registered trademark of Gustav Klauke GmbH*

*App Store is a registered trademark of Apple Inc.*

*Google Play is a registered trademark of GOOGLE INC.*

## Training & Qualifications

Only workers trained and qualified in high voltage applications should use this tool, especially in a live line environment. Ensure at least a second trained and qualified person is present at appropriate distance.

Follow all training and proper live electricity jobsite safety precautions, including OSHA standard for electric power generation and NEC 70E: Standard for Electrical Safety in the Workplace.

Before operating this tool, read and understand all instructions and warnings associated with this tool and any other equipment used with this tool.

## Pre-Operation Inspection

### **⚠ WARNING**

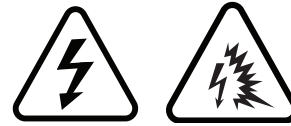
- **Before use, inspect your electrical tool and correct any problems to reduce the risk of serious injury from electric shock, crushing injures, equipment failure and other causes, and to prevent tool damage.**
- **If during inspection damage to tool is observed or suspected or if hydraulic oil has leaked from the tool, do not use the tool.** Tool safety could be compromised. Return tool immediately to Greenlee Factory Service Center for service or replacement.

- **Remove battery from tool.**
- **Clean any oil, grease or dirt from the tool body and head, including handles and controls.** A clean tool aids inspection and helps prevent the tool from slipping from your grip.
- **Always inspect the tool and remote before each use for issues:**
  - Look for wear or damage, such as cracks, gouges, or chips to housing.
  - Look for leaking hydraulic oil.
  - Inspect the rotation of the head assembly. Fully retract the ram. The head should be free to rotate 350°.
  - Check the blades for any chips or significant wear. Replace blades that are dull or chipped before operating for a clean cut.
  - Be sure the tool is clean, dry and free of contaminants.

If any issues are found, do not use the tool until corrected.

## Work Area & Tool Set-Up





### **⚠ WARNING**



- **Set up the tool and work area according to these procedures to reduce the risk of injury from electric shock, arc flash and reduce the risk of tool damage.**

1. Always wear appropriate PPE to reduce the risk of injury.
2. Confirm work area safety (Inspect the jobsite in accordance with OSHA and Employer work specification requirements and see General Power Tool Safety Warnings). Operate in a clear, level, stable and dry location.
3. Confirm the circuit is de-energized. To the extent a live circuit can be de-energized, always de-energize the circuit before beginning work. Follow all workplace procedures for control of hazardous energy to prevent unintended energization while working. Always handle the line as though it is energized, even if it has been de-energized. Cutting live cables can result in arc flash or electrocution and death.
4. Inspect cable to confirm that the cable can be cut by this tool, cutting the wrong type of cable can damage the tool or cause personal injury. (See, tool Specifications).
5. Make sure the work site is easily recognizable to outside observers to prevent people from coming into the area while the tool is being used. Barriers or cones around work site are some of the ways to do this.
6. Make sure all equipment has been properly inspected.
7. If working remotely, identify an appropriate area for operation within wireless range of the remote and outside of the NFPA ARC Flash distance to prevent injury from possible arc flash or whipping cables. The Bluetooth signal can pass through most wall materials if the operator is located behind a barrier or around a corner while operating tool.

## Tool Operation

<b>⚠ WARNING</b>			
			
<ul style="list-style-type: none"> <li>• Operate the tool according to these procedures to reduce the risk of injury from electric shock, arc flash and other causes and reduce the risk of tool damage.</li> <li>• Always wear appropriate PPE to reduce the risk of injury.</li> <li>• Do not use on energized electrical lines.</li> <li>• During remote usage of this tool, remain outside of the arc flash boundary in accordance with NFPA 70E for the conductor being cut.</li> <li>• Keep your fingers and hands away from the tool head during the operating cycle. Your fingers or hands can be crushed, fractured or amputated if they become caught in the tool head or between the tool head and other objects.</li> </ul>			

Before operation confirm all equipment has been properly inspected and the work area and tool are properly set-up.

## Cutting Profile Selection

Remote Cable Cutter with End-Position Blade and Wireless Remote is designed to allow cutting in two profiles, handheld and remote. Remote operation allows the operator to be physically separated from the cutting tool when making a cut. This is useful when the line being cut is believed to be de-energized but cannot be fully confirmed. Always handle the line as though it is energized, even if it has been de-energized.

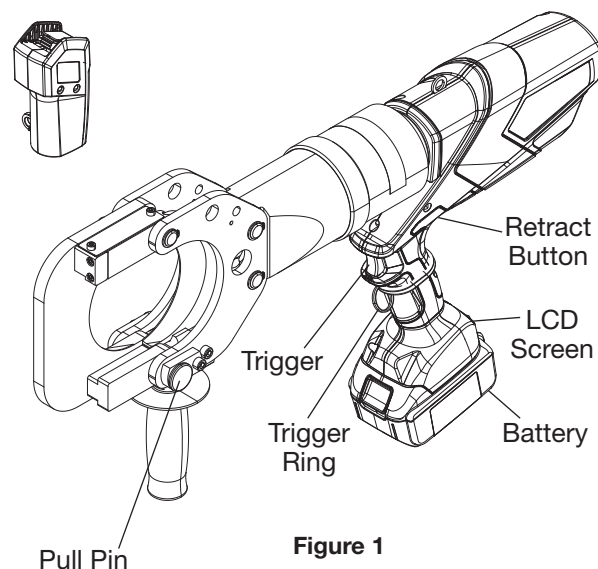
1. If necessary, remove trigger lockout from trigger.
2. Insert battery and click trigger to turn tool on.
3. Support tool with both hands to look at the OLED screen on the tool. Press the buttons to the sides of the screen to scroll to Current User Screen.
4. Press and hold both buttons to view User Select Screen. Cycle through screens using the right button to scroll to the desired profile; Double-Click or Remote.
5. Click trigger to activate selected profile. Note: The Remote profile requires additional steps before tool is ready to use, see Remote Profile.

## Handheld Profile

Before use, confirm lines to be cut are de-energized

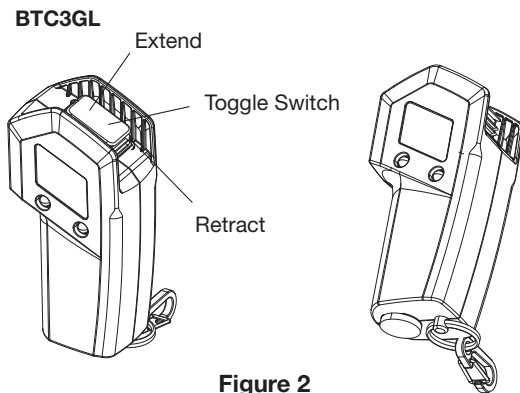
1. Stay clear of moving parts, test operation of the tool by double clicking and holding the trigger to see if the blade will advance. The blade will not advance when holding the trigger if it is in the Remote profile without input from the remote. The trigger activates a white LED light that will remain on during operation and for 10 seconds after trigger is released.
2. If needed, press and hold the retract button to return the blade to start position. At the end of a full cutting cycle the blade will automatically retract to the start position.
3. Open head by pulling the Pull Pin out.
4. Position the tool so the cable is in the open cutting head.
5. Close Cutting Head and fully insert Pull Pin. Partial Pin insertion can cause a bad cut.
6. Hold tool steady with both hands and maintain a stable stance. Keep the tool at a 90-degree angle to the cable (Fig. 3). to ensure a straight cut. Do not twist work piece or tool during cutting operation, blade failure could result.
7. Double click and hold trigger until the cut is complete. The cutting process can be interrupted at any time by releasing the trigger and the blade can be retracted with the retract button on the tool.
8. Remove the battery before setting up for another cut or placing tool in storage

Note: Tool will automatically shut off when idle for 15 min. This will be indicated by countdown on the LCD screen. Pressing the trigger or any buttons on the OLED screen will reset the countdown.



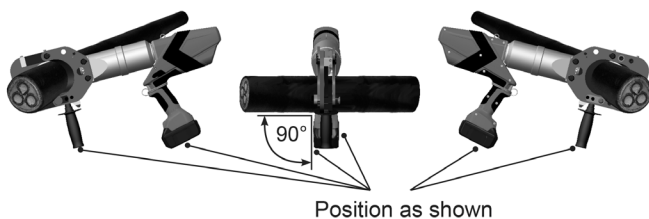
**Figure 1**

## Remote Operation



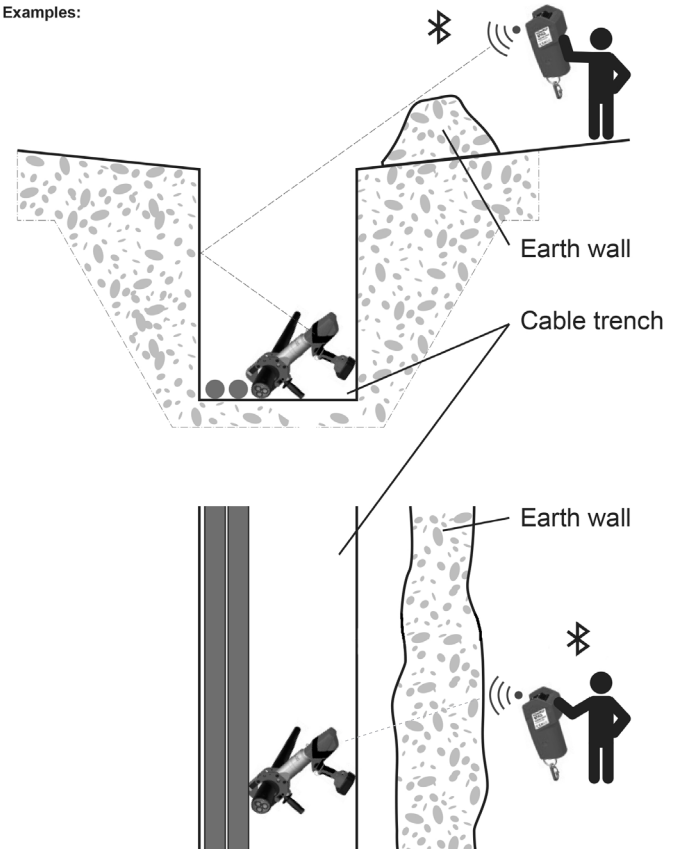
**Figure 2**

1. After selecting the Remote profile, secure the tool trigger in depressed position by moving the trigger ring over it.
2. Click the toggle switch on the remote, the blue LED will start blinking.
3. When the ID of the remote appears on the screen, confirm “Yes” by pressing the button on the tool next to it. The ID of the remote is found above the remote’s signal decal.
4. When prompted by the tool screen, complete remote pairing by clicking the toggle switch, the blue LED on the remote will turn solid once a connection is made.
5. Double click Extend on toggle switch to activate remote operation.
6. Test the tool by double clicking the remote again and holding Extend on the toggle switch to advance the blade to test the wireless connection to the tool. The green LED on the remote will start blinking and stay blinking while the tool blade is moving.
7. Single click and hold Retract on the toggle switch or press red Retract Button on tool to return blade to starting position.
8. Open head by using the pull pin.
9. Position the tool so the cable is in the open cutting head.
10. Close Cutting Head and fully insert Pull Pin. Partial Pin insertion can cause a bad cut.
11. Set up the tool at a 90-degree angle to Cable (Fig. 3) to ensure a straight cut, making sure the area is clear. Secure tool to limit shifting and twisting during operation and to keep tool from falling during operation.



**Figure 3**

Examples:



**Figure 4**

12. Double click and hold “Extend” on toggle switch, the green LED will start blinking. When the cut is complete, both the blue and green LEDs will be solid and an audible sound will be heard from the remote. The cutting process can be interrupted at any time by releasing the toggle and the blade can be retracted by pressing and holding “Retract” on toggle switch.
13. After the remote signals the cut is complete, move to retrieve the tool checking the area around the tool before moving closer to the tool. If the operator was located out of sight while using the remote, the area may now have new hazards as a result of cutting the cable.
14. Remove the battery before setting up for another cut or placing tool in storage

Note: The tool will automatically shut down after 30 min of idleness when in Remote mode. A countdown will show on the OLED screen and will reset when the remote is used or disconnected.

## Maintenance

### **⚠ WARNING**

- **Do not perform any maintenance other than as described in this manual.** Personal injury or damage to the tool may result.
- **Do not open the tool.** It contains no user-serviceable parts

- Clean the housing with a damp cloth and mild detergent after every use. Dry completely, remove the battery and fully retract the blade before storing.
- Do not sharpen blades, send in for service to replace blades.

## Service

### **⚠ WARNING**

- **Failure to follow required service schedule could compromise the tool and result in serious injury.**

At either 3 years or 10,000 cycles, the tool will stop working and factory service of the tool must be completed before tool will resume working. Factory service includes general inspections, replacement of tool's di-electric hydraulic oil and testing of tool by trained technicians.

When the Factory Service Date is approaching or arrived, contact Greenlee Customer Service. Expedited shipping is available.

Use this schedule to help track when your tool is due in for factory service.

Routine Service Calendar	Service Date	Notes
Date Placed into Service		
Date of First Factory Service		
Date of Second Factory Service		
Date of Third Factory Service		
Date of Fourth Factory Service		
Date of Fifth Factory Service		
Date of Sixth Factory Service		
Date of Seventh Factory Service		
Date of Eighth Factory Service		
Date of Ninth Factory Service		
Date of Tenth Factory Service		

## Storage

Remove batteries from the tool and remote before extended storage. If necessary, recharge the batteries. Refer to the instructions supplied with the battery charger.

## Troubleshooting

### Before You Begin

1. Make sure that the battery is charged. Recheck the battery after several minutes to make sure the battery is holding its charge.
2. Remove battery from tool.
3. Check the tool, see Pre-Operation Inspection.
4. Reinstall the battery and check the tool over again.

Consult the tables below for solutions to troubleshoot possible issues the tool may face. To aid troubleshooting, The Tool Indicator LED Table (pg. 8) explains signals from the red LED on the tool that may occur.

**Tool Operation Troubleshooting Table**

Problem	Possible Cause	Probable Remedy
Tool is inoperative.	Contaminants in ram area of tool.	Clean tool.
	Tool parts worn or damaged.	Send tool in for service.
Motor is inoperative.	Low or uncharged battery.	Try known charged battery. Inoperative battery may be discharged or may have reached life expectancy.
	Broken switch components.	Send tool in for service.
Motor runs but tool will not complete a cycle.	Oil level low.	Send tool in for service.
	Air in hydraulic system.	Pull trigger and hold retract button together for about 10 seconds, attempt cut again. If unsuccessful, send tool in for service.
	Cold oil.	Pull trigger and hold retract button together for about 10 seconds to warm oil.
Tool loses oil.	Damaged seal.	Send tool in for service.

**Tool Error Code Table**

Error Code	Meaning	Action
1	Overcurrent fuse	Seek Service
2	Overcurrent comparator	Seek Service
3	Overheated circuit board	Cool Tool
4	Overheated battery	Cool Battery
5	Battery empty; operation stops	Charge Battery
6	Faulty cut; complete cycle	Seek Service
7	Faulty cut; incomplete cycle	Seek Service
8	Low battery	Charge Battery
9	Battery empty	Charge Battery
10	Real-time clock battery low	Seek Service
11	Tool deactivated	Seek Service
12	Service necessary	Seek Service
13	Real-time clock not found	1. Re-insert Battery 2. Seek Service
14	Bluetooth® unit not found	1. Re-insert Battery 2. Seek Service
15	[Not Used]	
16	Pressure sensor not found	Seek Service
17	Pressure exceeded	Seek Service
18	Battery temperature too low	Warm Battery
21	Remote control battery low	Replace Battery

## Disposal

Parts of these tools contain valuable materials and can be recycled. There are companies that specialize in recycling that may be found locally. Dispose of the components in compliance with all applicable regulations. Contact your local waste management authority for more information.

## Required Statements

### **Model X—FCC ID: RFR-S50; IC ID: 4957A-S50**

#### **USA requirements:**

*Responsible party: Greenlee Tools, Inc. Rockford, IL 61109 USA*

*Note: This equipment has been tested and found to comply with the limits for a Class A digital device, pursuant to Part 15 of the FCC Rules. These limits are designed to provide reasonable protection against harmful interference when the equipment is operated in a commercial environment. This equipment generates, uses, and can radiate radio frequency energy and, if not installed and used in accordance with the instruction manual, may cause harmful interference to radio communications. Operation of this equipment in a residential area is likely to cause harmful interference in which case the user will be required to correct the interference at his own expense.*

*This device complies with the RF exposure SAR test exclusion requirements for portable devices, if a minimum separation distance is kept. However, the device shall be used in such a manner that the potential for human contact during normal operation is minimized.*

#### **Canada requirements:**

*This device complies with Industry Canada's license-exempt RSSs. Operation is subject to the following two conditions:*

- (1) This device may not cause interference; and*
- (2) This device must accept any interference, including interference that may cause undesired operation of the device.*

*Le présent appareil est conforme aux CNR d'Industrie Canada applicables aux appareils radio exempts de licence. L'exploitation est autorisée aux deux conditions suivantes:*

- 1) l'appareil ne doit pas produire de brouillage;*
- 2) l'utilisateur de l'appareil doit accepter tout brouillage radioélectrique subi, même si le brouillage est susceptible d'en compromettre le fonctionnement.*

## Warranty

The ESG105LXR tool is covered by the standard Greenlee Limited Warranty for a period of 7 years.

Visit our website to review the standard Greenlee Limited Warranty.

For warranty claims and/or factory service please contact Greenlee Customer Service

Reminder: Warranty claim is void if the tool is opened by anyone not authorized to service this tool.

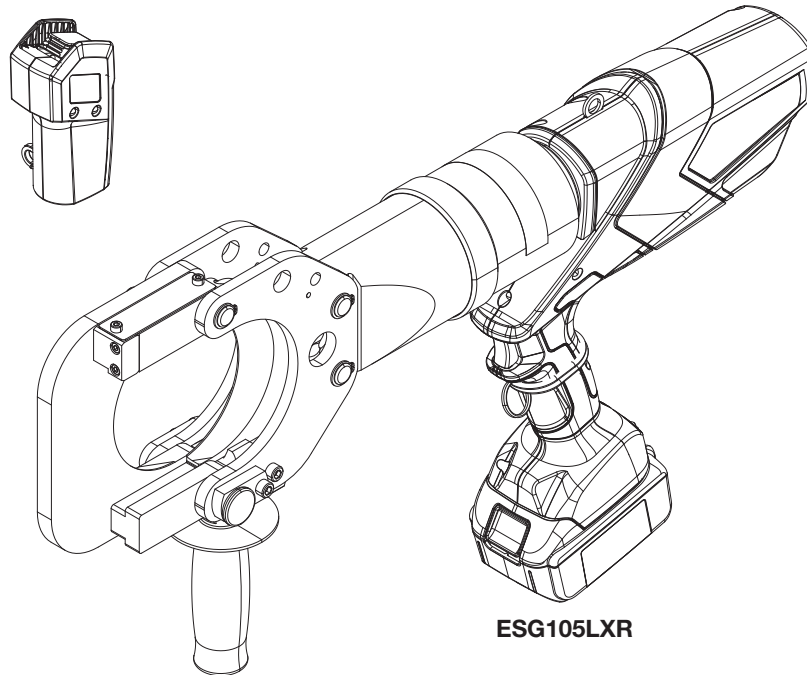


# MANUAL DE INSTRUCCIONES



Registrar el número de serie aquí

(consulte la pág. 26 para ver las instrucciones de la pantalla LCD)



E114954



REG F931

Español.....17-32  
Français.....33-48

ESG105LXR

## Cortador de Cable Remoto con Cuchilla de Extremo y Control Remoto Inalámbrico



Lea y entienda todas las instrucciones y la información de seguridad de este manual antes de utilizar o reparar esta máquina.

**GUARDE ESTE MANUAL**

## Índice

Página De Cubierta .....	17
Índice.....	18
Clave De Los Símbolos De Seguridad .....	19
Advertencias Generales De Seguridad Para Herramientas Eléctricas .....	20-21
Información De Seguridad Específica De La Herramienta.....	22
Información De Contacto De Greenlee .....	22
Descripción De La Herramienta .....	23
Características Importantes .....	23
Especificaciones .....	23
Identificación De La Herramienta .....	24
Identificación Remota .....	24
Calcomanías Y Ubicaciones .....	25
Pantalla Oled .....	26
Aplicación Bluetooth/I-Press.....	26
Capacitación Y Cualificaciones.....	27
Inspección Previa A La Operación .....	27
Configuración Del Área De Trabajo Y .....	
De La Herramienta .....	27
Operación De La Herramienta.....	28
Selección De Perfiles De Corte .....	28
Perfil Manual.....	28
Operación Remota .....	29
Mantenimiento.....	30
Almacenamiento.....	30
Servicio.....	30
Resolución De Problemas .....	31
Desecho .....	32
Garantía.....	32
Declaraciones Obligatorias .....	32

***GUARDE ESTE MANUAL***

## Clave de los Símbolos de Seguridad

En este manual del operador y en el producto, los símbolos de seguridad y las palabras de señalización se utilizan para comunicar información importante de seguridad. Esta sección se proporciona para mejorar la comprensión de estas palabras y símbolos de señalización.



Este es el símbolo de alerta de seguridad. Se utiliza para alertarlo sobre peligros potenciales de lesiones personales. Obedezca todos los mensajes de seguridad que siguen a este símbolo para evitar posibles lesiones o la muerte.

### PELIGRO

Indica una situación peligrosa que, si no se evita, causará la muerte o lesiones graves.

### ADVERTENCIA

Indica una situación peligrosa que, si no se evita, puede causar la muerte o lesiones graves.

### PRECAUCIÓN

Indica peligros o prácticas no seguras que, si no se evitan, PODRÍAN causar lesiones o daños materiales.



Este símbolo significa que debe leer cuidadosamente el manual del operador antes de utilizar el equipo. El manual del operador contiene información importante sobre el funcionamiento seguro y adecuado del equipo.



Este símbolo significa que siempre debe usar gafas de seguridad con protectores laterales o anteojos al manipular o utilizar este equipo para reducir el riesgo de lesiones oculares.



Siempre use guantes cuando utilice este equipo para reducir el riesgo de lesiones.



Este símbolo indica el riesgo de descarga eléctrica.



Este símbolo indica el riesgo de arco eléctrico.



Este símbolo indica el riesgo de cortes o amputación de las manos, los dedos u otras partes del cuerpo.



Este símbolo indica el riesgo de lesiones por golpes.

**Advertencias Generales de Seguridad para Herramientas Eléctricas\*****⚠ ADVERTENCIA**

Lea todas las advertencias, las instrucciones, las ilustraciones y las especificaciones de seguridad suministradas con esta herramienta eléctrica. Si no sigue todas las instrucciones indicadas a continuación puede provocar descargas eléctricas, incendio o lesiones graves.

**GUARDE TODAS LAS ADVERTENCIAS Y LAS INSTRUCCIONES PARA REFERENCIA FUTURA.**

El término “herramienta eléctrica” en las advertencias indicadas a continuación se refiere a sus herramientas eléctricas accionadas con cordón eléctrico y a las herramientas accionadas con baterías (inalámbricas).

**SEGURIDAD DEL ÁREA DE TRABAJO**

- **Mantenga el área de trabajo limpia y bien iluminada.** Las áreas desordenadas y oscuras pueden provocar accidentes.
- **No use herramientas eléctricas en atmósferas explosivas, como en presencia de líquidos, gases o polvos inflamables.** Las herramientas eléctricas generan chispas que pueden encender el polvo o los vapores.
- Mantenga alejados a los niños y a los espectadores mientras opera una herramienta eléctrica. Las distracciones pueden causar la pérdida del control.

**SEGURIDAD EN MATERIA DE ELECTRICIDAD**

- **Los enchufes de la herramienta eléctrica deben coincidir con los agujeros en el tomacorriente. Nunca modifique el enchufe de ninguna manera.** No use adaptadores en herramientas eléctricas con conexión a tierra. Los enchufes sin modificación y sus tomacorrientes correspondientes reducen el riesgo de descarga eléctrica.
- **Evite el contacto corporal con superficies conectadas a tierra como tuberías, radiadores, estufas y refrigeradores.** Existe un mayor riesgo de descarga eléctrica si su cuerpo se conecta a tierra.
- **No exponga las herramientas eléctricas a la lluvia ni a condiciones de humedad.** El agua que entra en una herramienta eléctrica aumenta el riesgo de descarga eléctrica.
- **No use indebidamente el cordón eléctrico. Nunca use el cordón eléctrico para transportar, tirar de o desenchufar la herramienta eléctrica.** Mantenga el cordón eléctrico alejado del calor, aceite, bordes afilados y piezas móviles. Los cordones eléctricos dañados o enredados aumentan el riesgo de descarga eléctrica.
- **Cuando opere una herramienta eléctrica en el exterior, use un cordón de extensión adecuado para uso en exteriores.** El uso de un cordón eléctrico adecuado para uso en exteriores reduce el riesgo de electrocución.
- **Si es inevitable utilizar la herramienta eléctrica en una ubicación húmeda, use una alimentación eléctrica protegida con un DISPOSITIVO DE CORRIENTE RESIDUAL (RCD).** El uso de un dispositivo RCD reduce el riesgo de descarga eléctrica.

**SEGURIDAD PERSONAL**

- **Manténgase alerta, preste atención a lo que está haciendo y use el sentido común al operar una herramienta eléctrica.** No use una herramienta eléctrica cuando esté cansado o esté bajo la influencia de drogas, alcohol o medicamentos. Un momento de descuido mientras opera herramientas eléctricas podría provocar lesiones graves.
- **Use equipo de protección personal (PPE).** Siempre use protección ocular apropiada. El equipo de protección, como las mascarillas contra polvo, zapatos de seguridad antideslizantes, cascos de seguridad o protección auditiva, utilizado para las condiciones apropiadas pertinentes, reducirá la probabilidad de lesiones personales.
- **Prevenga la puesta en marcha no intencional.** Asegúrese que el interruptor esté en la posición de apagado antes de conectar la alimentación eléctrica y/o el paquete de BATERÍAS, levantar la herramienta o transportarla. Transportar herramientas eléctricas con su dedo colocado en el interruptor o conectar herramientas eléctricas con el interruptor en la posición de encendido aumenta la probabilidad de accidentes.
- **Quite cualquier llave de ajuste o llave de tuercas antes de encender la herramienta eléctrica.** Una llave para tuercas o la llave de ajuste que se deje acoplada a una pieza rotativa de la herramienta eléctrica pueden provocar lesiones personales.
- **No adopte una postura forzada. Mantenga una postura correcta y el equilibrio en todo momento.** Esto permite un mejor control de la herramienta eléctrica en situaciones inesperadas.
- **Use ropa adecuada.** No use ropa holgada ni joyas. Mantenga su cabello, ropa y guantes alejados de las partes móviles. La ropa holgada, las joyas o el cabello largo pueden quedar atrapados en las partes móviles.
- **Si se suministran dispositivos para la conexión de extracción de polvo y aditamentos recolectores, asegúrese de que estos se encuentren conectados debidamente y se usen correctamente.** La recolección de polvo puede reducir los peligros relacionados con el polvo.
- **No permita que la familiaridad obtenida con el uso frecuente de las herramientas eléctricas le haga sentirse confiado e ignorar los principios de seguridad de esas herramientas.** Una acción poco cuidadosa puede causar lesiones graves en una fracción de segundo.

**USO Y CUIDADO DE LAS HERRAMIENTAS ELÉCTRICAS**

- **No fuerce la herramienta eléctrica.** Use la herramienta eléctrica correcta para su aplicación. La herramienta eléctrica apropiada hará mejor el trabajo, de manera más segura y a la velocidad para la que fue diseñada.
- **No use la herramienta eléctrica si no puede encenderla o apagarla con el interruptor.** Cualquier herramienta que no se pueda controlar con el interruptor es peligrosa y debe repararla.

- **Desconecte el enchufe de la fuente de alimentación eléctrica y/o desconecte el paquete de BATERÍAS (si es extraíble) de la herramienta eléctrica antes de hacer cualquier ajuste, cambiar accesorios o guardar las herramientas eléctricas.** Estas medidas de seguridad preventiva reducen el riesgo de encender accidentalmente la herramienta eléctrica.
- **Guarde las herramientas eléctricas apagadas lejos del alcance de los niños y no permita que personas que no conozcan la herramienta eléctrica o estas instrucciones operen la herramienta eléctrica.**
- **Las herramientas eléctricas son peligrosas en las manos de usuarios sin entrenamiento.**
- **Dé mantenimiento a las herramientas eléctricas y los accesorios. Verifique que las piezas móviles no estén desalineadas o atascadas, que los componentes no estén rotos y que no haya ninguna otra condición que pueda afectar el funcionamiento de la herramienta eléctrica.**
- **Si la herramienta eléctrica está dañada, haga que la reparen antes de usarla.** Muchos accidentes ocurren por herramientas eléctricas con mantenimiento deficiente.
- **Mantenga las herramientas de corte bien afiladas y limpias.** Las herramientas de corte que reciben el mantenimiento debido, con bordes de corte afilados, tienen menos probabilidades de atorarse y son más fáciles de controlar.
- **Use la herramienta eléctrica, los accesorios y las puntas o las brocas de la herramienta, etc. de conformidad con estas instrucciones, tomando en cuenta las condiciones de trabajo y el trabajo a realizar.** El uso de la herramienta eléctrica para operaciones para las que no fue diseñada podría provocar una situación peligrosa.
- **Mantenga las manijas y las superficies de agarre secas, limpias y libres de aceite y grasa.** Las manijas y las superficies de agarre resbaladizas no permiten un manejo ni control seguros de la herramienta en situaciones inesperadas.

#### **USO Y CUIDADO DE LA HERRAMIENTA CON BATERÍAS**

- **Cargue la unidad solamente con el cargador especificado por el fabricante.** Un cargador que sea adecuado para un tipo de paquete de BATERÍAS puede crear un riesgo de incendio cuando se utiliza con otro tipo de paquete de BATERÍAS.
- **Use la herramienta eléctrica solamente con paquetes de BATERÍAS específicamente designados.** El uso de cualquier otro paquete de BATERÍAS puede crear un riesgo de lesión e incendio. Cuando el paquete de BATERÍAS no está en uso, manténgalo alejado de objetos metálicos como ganchos sujetos papeles, monedas, llaves, clavos, tornillos u otros objetos metálicos pequeños que puedan establecer una conexión de un terminal al otro. El cortocircuito entre los terminales de la batería puede causar quemaduras o un incendio.
- **En condiciones de uso indebido, puede salir líquido de la BATERÍA; evite el contacto.** Si ocurre contacto accidental, enjuáguese con agua. Si el líquido hace contacto con los ojos, procure atención médica. El líquido expulsado de la batería puede causar irritación o quemaduras.

- **No utilice un paquete de BATERÍAS o una herramienta que estén dañados o modificados.** Las baterías dañadas o modificadas pueden presentar un comportamiento impredecible, lo que provoca incendio, EXPLOSIÓN o riesgo de lesiones.
- **No exponga un paquete de BATERÍAS o una herramienta al fuego o a una temperatura excesiva.** La exposición a incendio o a temperaturas superiores a 265 °F (130 °C) puede causar explosiones.
- **Siga todas las instrucciones de carga y no cargue el paquete de BATERÍAS o la herramienta fuera del rango de temperatura especificado en las instrucciones.** La carga inadecuada o a temperaturas fuera del rango especificado puede dañar la batería y aumentar el riesgo de incendio.

#### **SERVICIO**

- **Haga que un técnico calificado, que utilice solamente repuestos idénticos, repare su herramienta eléctrica.** Esto garantizará el mantenimiento de la seguridad de las herramientas eléctricas.
- **Nunca realice tareas de mantenimiento en paquetes de baterías dañados. El servicio de los paquetes de baterías solo debe ser realizado por fabricantes o proveedores de servicio autorizados.**

*\* El texto utilizado en la sección Advertencias generales de seguridad de la herramienta de alimentación de este manual es obligatorio de conformidad con la norma EN 62841-1 correspondiente, con la que se prueba esta herramienta. Esta sección contiene procedimientos generales de seguridad para distintos tipos de herramientas eléctricas. No todas las precauciones aplican a todas las herramientas, y algunas pueden no aplicar a esta herramienta.*

## Información de Seguridad Específica de la Herramienta

### ⚠ ADVERTENCIA



- **Use la herramienta, los accesorios, etc. correctos para su aplicación.** La herramienta apropiada hará mejor el trabajo, con mayor seguridad a la velocidad para la cual está diseñada. El uso de la herramienta eléctrica para operaciones para las que no fue diseñada podría provocar una situación peligrosa. Guarde este manual con la herramienta en el espacio proporcionado en el estuche portátil.
- **Antes de operar esta herramienta, lea y comprenda lo siguiente:**
  - Este manual de operación
  - El manual de las baterías/el cargador
  - Las instrucciones y advertencias para cualquier otro equipo o material utilizado con esta herramienta
  - Las marcas en la herramienta
  - Los procedimientos de seguridad obligatorios en el lugar de trabajo
- **Siga todos los procedimientos de trabajo apropiados y requeridos y use todos los PPE necesarios en la obra al trabajar con líneas eléctricas energizadas.** Si no está capacitado ni familiarizado con los requisitos de obra y PPE adecuados, no utilice esta herramienta.
- **Esta máquina no está aislada.** Cuando use esta máquina cerca de alguna línea eléctrica, utilice el equipo de protección personal adecuado.
- **No utilice en cables eléctricos energizados.** Esto reduce el riesgo de descarga eléctrica y arco eléctrico.
- **Durante el uso remoto de esta herramienta, permanezca fuera del límite del arco eléctrico de acuerdo con NFPA 70E mientras se corta el conductor para reducir el riesgo de lesiones graves.**
- **No corte cables que tengan voltaje. El cable puede azotar y golpear cuando se corta y resultar en lesiones graves o la muerte.**
- **Durante el uso se generan fuerzas de gran magnitud que pueden romper o expulsar piezas y causar lesiones.** Mantenga todo el personal innecesario lejos del área de trabajo.

- **No modifique la herramienta.** Cualquier modificación de la herramienta puede ocasionar lesiones y la anulación de la garantía de la herramienta. Un cabezal que haya sido soldado, esmerilado, perforado o modificado de cualquier manera puede romperse durante el uso. Para reducir el riesgo de lesiones, reemplace todo el cabezal dañado, nunca reemplace componentes individuales. Deseche los cabezales dañados utilizando los métodos de eliminación adecuados.
- **Mantenga los dedos y las manos lejos del cabezal de la herramienta durante el ciclo de operación.** Existe riesgo de aplastamiento, fractura o amputación de los dedos o las manos si se capturan en el cabezal de la herramienta o entre el cabezal de la herramienta y otros objetos.
- **Retire la batería antes de interactuar con el cabezal de corte.**
- **Una persona debe controlar el proceso de trabajo y el funcionamiento de la herramienta.** Solo el operador debe estar en el área cuando la herramienta está en funcionamiento.

## Información de Contacto de Greenlee

Si tiene alguna pregunta, necesita coordinar un servicio o comprar piezas o accesorios para este producto Greenlee: Póngase en contacto con su distribuidor local de Greenlee o con el Centro de Servicio al Cliente de Greenlee.

Puede descargar copias adicionales de este manual en [www.greenlee.com](http://www.greenlee.com)

### Servicio al Cliente de Greenlee

EE. UU.: 1-800-435-0786 | Canadá: 800-435-0786

Internacional: 1-815-397-7070

[GRNCustomerService@emerson.com](mailto:GRNCustomerService@emerson.com)

### Dirección de envío:

Greenlee Factory Service Center

4411 Boeing Dr., Rockford, IL 61109

## Descripción de la Herramienta

El cortador de cables remoto con cuchilla de extremo y control remoto inalámbrico está diseñado para permitir el corte en dos perfiles, manual y remoto. Está destinado a cortar lo siguiente:

- **ESG105LXR:** Cable multifásico de hasta 4-1/8" (105 mm) de diámetro. Esta máquina está diseñada para cortar la mayoría de los cables trenzados de cobre y aluminio de bajo y medio voltaje, así como cable armado de plomo o acero blando que se encuentran en los trabajos.

Esta herramienta no está diseñada para su uso en cables de sujeción EHS, varilla de acero, cable de acero o cable ACSR. La herramienta está protegida por la patente estadounidense N.º 6,206,663, 6,276,186, 6,401,515 y 6,718,870. Patente pendiente.

## Características Importantes

- Dos perfiles de uso, manual tradicional y remoto.
  - La operación remota permite al operador separarse físicamente de la herramienta de corte al realizar un corte. Esta característica es útil para mantener al operador fuera del alcance del arco eléctrico al cortar un cable donde no está seguro de que la línea esté desenergizada.
  - El control remoto está equipado con una señal de luz y sonido para informar al usuario cuando la cuchilla se está moviendo y cuando se ha completado el corte.
- Conectividad Bluetooth® con la aplicación Greenlee I-Press

*Bluetooth es una marca comercial registrada de BLUETOOTH SIG, Inc.*

- Pantalla OLED para una lectura clara de la información de la herramienta.
- Un freno eléctrico que detiene el movimiento hacia delante de la cuchilla cuando se suelta el gatillo remoto.
- Un botón de retracción que controla un solenoide de liberación Mag-Lock para retraer la cuchilla en cualquier momento en modo remoto.
- La herramienta incorpora una retracción automática que devuelve la cuchilla a la posición inicial cuando se completa el corte en modo manual.
- El cabezal de corte se ha diseñado para girar 350° alrededor del eje longitudinal para poder llegar mejor a esquinas de acceso complicado y otras áreas donde resulte difícil trabajar.

## Especificaciones

### Herramienta de corte ESG105LXR

Longitud: .....24,4" (620 mm)

Ancho: .....3,00" (76 mm)

Alto (con batería): .....14,6" (371 mm)

Peso (con batería): ..... 22,3 lb (10,1 kg)

### Capacidades de corte:

Diámetro máximo de corte del cable: .....4-1/8" (105 mm)

Materiales del cable: ..... Cable multifásico de cobre, aluminio, acorazado de plomo y acorazado de acero dulce

**No está diseñado para su uso en cables de sujeción EHS, varilla de acero, cable de acero o cable ACSR.**

**Esta herramienta no está diseñada para usarse en aplicaciones marinas.**

Rango de temperaturas de operación: ..... °F a 104 °F  
(-20 °C a 40 °C)

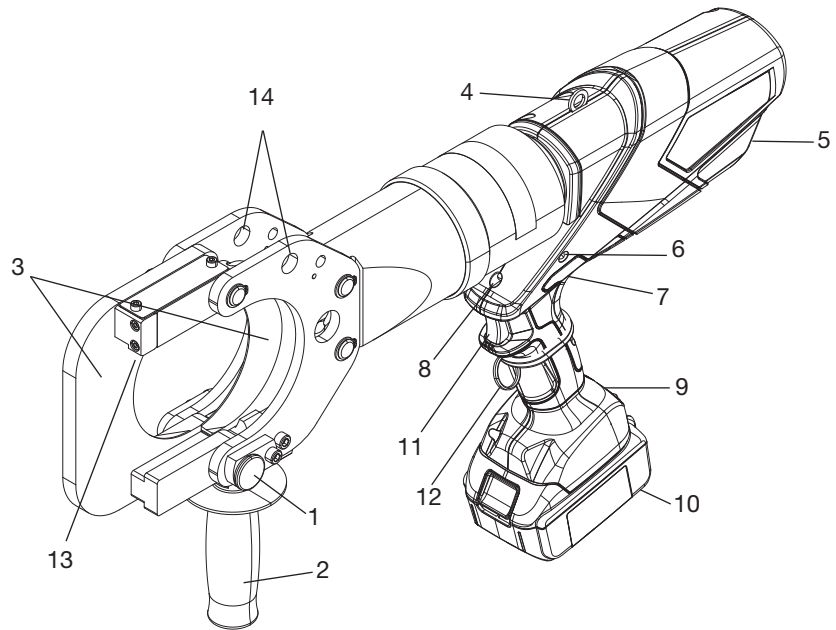
Batería de la herramienta: ... MAKITA® LXT® de iones de litio, 18 V

Batería remota: ..... AA (LR03)

Todas las especificaciones son nominales y pueden cambiar a medida que se hagan mejoras al diseño.

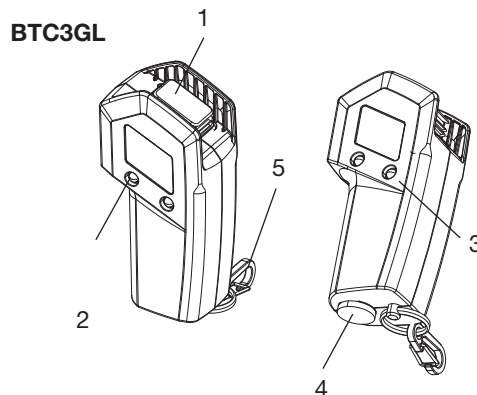
## Identificación de la Herramienta

1. Pasador de tracción
2. Mango (removible)
3. Cuchillas
4. Amarres de elevación
5. Carcasa
6. Indicador LED de la herramienta (rojo)
7. Botón de retracción
8. LED de la herramienta en funcionamiento (blanco)
9. Pantalla OLED
10. Batería
11. Gatillo
12. Seguro del gatillo
13. Sensor de posición de la cuchilla
14. Puntos de conexión a tierra



## Identificación Remota

1. Interruptor de palanca de operación remota
2. LED de la cuchilla en movimiento (verde)
3. Conectividad Bluetooth
4. LED de la cubierta del puerto de la batería (azul)
5. Clip en la correa de transporte



**Tabla del indicador LED de la herramienta**

Qué sucede	Señal roja	Qué significa	Qué hacer
La herramienta <b>no</b> arranca y la luz permanece constante durante 20 segundos cuando se suelta el gatillo	■	Carga de batería baja	Reemplazar o cargar la batería
La herramienta se detiene y la luz permanece constante durante 20 segundos cuando se suelta el gatillo	■		
La herramienta se detiene y la luz se enciende de forma intermitente durante 20 segundos cuando se suelta el gatillo	●●●●	El motor ha superado los 20 A durante el ciclo	Dejar enfriar la herramienta
		El circuito se ha sobrecalentado	
Luz que parpadea durante 20 segundos al final del ciclo	●●●●		Enviar la herramienta a mantenimiento

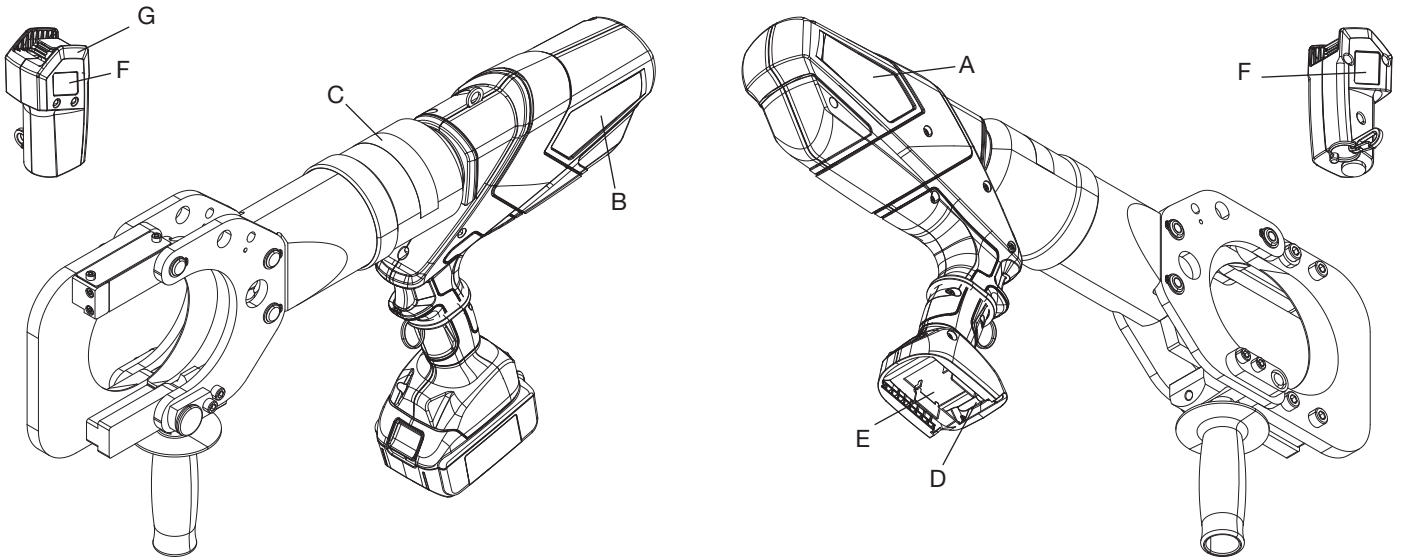
**Tabla de señales LED remotas**

Qué sucede	Señal		Qué significa
	Verde	Azul	
La luz azul parpadea. La verde permanece apagada.		☀☀	Búsqueda de señal Bluetooth de la herramienta.
Luz azul fija. La verde permanece apagada.		■	Señal Bluetooth encontrada y emparejada.
La luz verde parpadea y la luz azul está fija.	☀☀	■	La cuchilla de la herramienta se está moviendo.
Las luces verdes y azules parpadean.	☀☀	☀☀	La batería está baja.
Las luces verdes y azules están fijas. Se oye un sonido desde el control remoto.	■	■	El corte está completo y la cuchilla se ha retraído.



**Calcomanías y Ubicaciones**

- A. Información del modelo (52079313)
- B. Identificación de marca y de fabricación (52087864)
- C. Peligro de corte (52024564)
- D. Calcomanía de dirección de fabricación (52087869)
- E. Certificación FCC (52087786)
- F. Información remota (52087866)
- G. Grabado de ID remoto



**A. ESG105LXR BATTERY CABLE CUTTER**  
 Capacity: 4-1/8" (105 mm) dia.  
 Cut only copper and aluminum conductors, including lead and soft steel armored cable.  
**DO NOT CUT STEEL ROD, STEEL CABLE, OR ACSR**  
 For use only with 18V  $\Rightarrow$  Makita® Battery

U.S. Pat. No. 6,206,663, 6,276,186, 6,401,515 and 6,718,870  
 Patent Pending

52087864

**B. GREENLEE GATOR**  
 Made in Germany 52079313 REV1

**C.**

**D. GREENLEE**  
 Greenlee Tools Inc.  
 4455 Boeing Drive,  
 Rockford IL  
 61109-2988 USA

**E. FCC ID: RFR-S50 • IC: 4957A-S50**  
 Model: X  
 This device complies with Part 15 of the FCC Rules and with Industry Canada licence-exempt RSS standard(s). Operation is subject to the following two conditions: (1) this device may not cause harmful interference, and (2) this device must accept any interference received, including interference that may cause undesired operation

52087786

**F. GREENLEE**  
**BTC3GL**  
 Bluetooth control  
 FCC ID: RFR-S50

52087866

BT LRO3 AAA

BT WORK CUT

52087866

## Pantalla OLED



Esta herramienta tiene una pantalla OLED que muestra información sobre la herramienta.

Para encender la pantalla, inserte la batería y haga clic en el gatillo.

En el perfil manual, repase las distintas pantallas utilizando los botones hacia la izquierda y la derecha a ambos lados de la pantalla (véase la Figura 1). Las pantallas no cambiarán si el control remoto está emparejado con la herramienta.

La pantalla también mostrará los códigos de error en caso de funcionamiento anormal. Consulte la tabla de códigos de error de la sección Resolución de problemas.

**Figura 1 - Pantallas OLED de operación**

Pantalla	Pantalla OLED	Información mostrada
0	 <b>GREENLEE®</b>	
1	P  P PSI	Estado de Bluetooth®, carga de la batería, presión de corriente, presión máx. Mantenga pulsados ambos botones para cambiar las unidades, seleccione con el botón derecho y confirme con el avance lento de la herramienta.
2	INFO FW: 2.0 123456AB001	Versión de firmware, número de serie
3	CURRENT USER : 1	Modo de perfil Seleccione la pantalla para elegir entre las operaciones de perfil Remoto y Manual
4	# ODS # DAYS	Ciclos y días hasta el próximo servicio.
5	TOTAL: T= 0.0h Q= 0.0Ah n= 0	Horas de funcionamiento transcurridas (T), Ah utilizado (Q) y número de ciclos (n) desde la fecha de fabricación.

## Aplicación Bluetooth/I-Press

Esta herramienta tiene capacidad Bluetooth para comunicarse con la aplicación i-press de Greenlee en un dispositivo inteligente.

1. Instale la aplicación “i-press Klauke Software Solutions” desde App Store o Google Play. Abra la aplicación en su dispositivo inteligente y seleccione la opción “Greenlee”.
2. Encienda la función Bluetooth en su dispositivo inteligente y active la herramienta para establecer una conexión.
3. La aplicación le permitirá crear proyectos, personalizar su herramienta y mostrar lecturas de presión de la herramienta, carga de la batería, la última fecha de mantenimiento y mucho más.

Las instrucciones de uso de la aplicación se muestran en la propia aplicación i-press; también puede solicitar el folleto MA6864 a cualquier distribuidor de Greenlee.

Si la herramienta está emparejada con el control remoto, no se conectará con la aplicación.



*i-Press es una marca comercial registrada de Gustav Klauke GmbH*

*App Store es una marca comercial registrada de Apple Inc.*

*Google Play es una marca comercial registrada de GOOGLE INC.*

## Capacitación y Cualificaciones

Solo los trabajadores capacitados y cualificados en aplicaciones de alta tensión deben utilizar esta herramienta, especialmente en un entorno de línea activa. Asegúrese de que al menos una segunda persona capacitada y cualificada esté presente a la distancia adecuada.

Realice todas las capacitaciones y respete todas las precauciones de seguridad en obras para tensión eléctrica adecuadas, incluyendo la norma de OSHA para generación, transmisión y distribución de energía eléctrica y NEC 70E: Estándar para la seguridad eléctrica en el lugar de trabajo.

Antes de utilizar esta herramienta, lea y comprenda todas las instrucciones y advertencias asociadas con esta herramienta y cualquier otro equipo utilizado con esta herramienta.

## Inspección Previa a la Operación

### ⚠ ADVERTENCIA

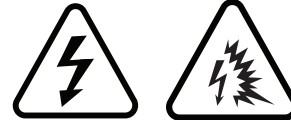
- **Antes del uso, revise la herramienta eléctrica y corrija cualquier problema, a fin de reducir el riesgo de lesiones graves por descargas eléctricas, lesiones por aplastamiento, fallas del equipo y otras causas, y evitar daños en la herramienta.**
- **Si durante la inspección observa o sospecha que hay daños en la herramienta o si hay fuga de aceite hidráulico, no use la herramienta.** La seguridad de la herramienta podría estar en riesgo. Devuelva la herramienta inmediatamente al Centro de Servicio de Fábrica de Greenlee para su servicio o reemplazo.

- **Quite la batería de la herramienta.**
- **Limpie el aceite, la grasa o la suciedad del cuerpo y del cabezal de la herramienta, incluidas las palancas y los controles.** Una herramienta limpia ayuda durante la inspección y evita que se pierda el control de la herramienta.
- **Inspeccione siempre la herramienta y el control remoto antes de cada uso en busca de problemas:**
  - Busque señales de daños o de desgaste, como grietas, golpes u otros desperfectos en la carcasa.
  - Compruebe que no haya fugas de aceite hidráulico.
  - Inspeccione el giro del conjunto del cabezal. Repliegue totalmente el pistón retráctil. El cabezal debe estar libre para girar 350°.
  - Compruebe las cuchillas en busca de virutas o desgaste significativo. Sustituya las cuchillas que estén desafiladas o astilladas antes de operar para un obtener corte limpio.
  - Asegúrese de que la herramienta esté limpia, seca y sin contaminantes.

Si se encuentra algún problema, no utilice la herramienta hasta que corregirlo.

## Configuración del Área de Trabajo y de la Herramienta

### ⚠ ADVERTENCIA



- **Configure la herramienta y el área de trabajo de acuerdo con estos procedimientos para reducir el riesgo de lesiones por descarga eléctrica, arco eléctrico y reducir el riesgo de daños en la herramienta.**

1. Use siempre un PPE adecuado para reducir el riesgo de lesiones.
2. Confirme la seguridad del área de trabajo (inspeccione el lugar de trabajo de acuerdo con los requisitos de la especificación de trabajo de empleador y de OSHA, y consulte las Advertencias generales de seguridad con herramientas eléctricas). Use la herramienta en una ubicación despejada, nivelada, estable y seca.
3. Confirme que el circuito está desenergizado. En la medida en que se pueda desenergizar un circuito activo, siempre se lo debe hacer antes de comenzar el trabajo. Siga todos los procedimientos del lugar de trabajo para controlar la energía peligrosa a fin de evitar la energización no deseada mientras trabaja. Maneje siempre la línea como si estuviera energizada, aunque no lo esté. Si se cortan cables activos se puede producir una electrocución, un arco eléctrico o la muerte.
4. Inspeccione el cable para confirmar que puede ser cortado por esta herramienta, cortar el tipo incorrecto de cable puede dañar la herramienta o causar lesiones personales. (Consulte las Especificaciones de la herramienta).
5. Asegúrese de que el sitio de trabajo sea fácilmente reconocible para los observadores externos, a fin de evitar que las personas entren en el área mientras se utiliza la herramienta. Colocar barreras o conos alrededor del sitio de trabajo es una de las maneras de hacerlo.
6. Asegúrese de que todos los equipos se hayan inspeccionado correctamente.
7. Si trabaja de forma remota, identifique un área apropiada para el funcionamiento dentro del alcance inalámbrico del control remoto y fuera de la distancia establecida por la NFPA para arco eléctrico, a fin de evitar lesiones por posible arco eléctrico o cables que azotan. La señal Bluetooth puede pasar a través de la mayoría de los materiales de pared si el operador se encuentra detrás de una barrera o a la vuelta de una esquina mientras opera la herramienta.

## Operación de la Herramienta

⚠ ADVERTENCIA

<ul style="list-style-type: none"> <li>• Opere la herramienta de acuerdo con estos procedimientos para reducir el riesgo de lesiones por descarga eléctrica, arco eléctrico y otras causas, y reducir el riesgo de daños en la herramienta.</li> <li>• Use siempre un PPE adecuado para reducir el riesgo de lesiones.</li> <li>• No utilice en cables eléctricos energizados.</li> <li>• Durante el uso remoto de esta herramienta, permanezca fuera del límite del arco eléctrico de acuerdo con NFPA 70E mientras se corta el conductor.</li> <li>• Mantenga los dedos y las manos lejos del cabezal de la herramienta durante el ciclo de operación. Existe riesgo de aplastamiento, fractura o amputación de los dedos o las manos si se capturan en el cabezal de la herramienta o entre el cabezal de la herramienta y otros objetos.</li> </ul>

Antes de la operación, confirme que todos los equipos se han inspeccionado correctamente y que el área de trabajo y la herramienta están correctamente configuradas.

## Selección de Perfiles de Corte

El cortador de cables remoto con cuchilla de extremo y control remoto inalámbrico está diseñado para permitir el corte en dos perfiles, manual y remoto. La operación remota permite al operador separarse físicamente de la herramienta de corte al realizar un corte. Esto es útil cuando se cree que la línea que se está cortando está desenergizada, pero no se puede confirmar completamente. Maneje siempre la línea como si estuviera energizada, aunque no lo esté.

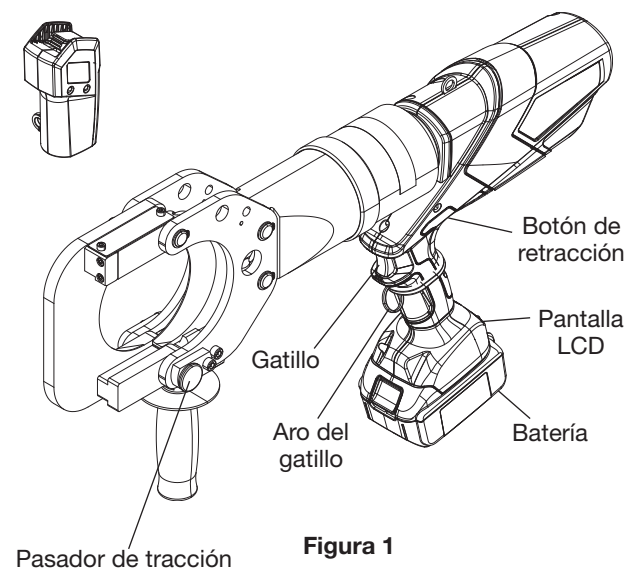
1. Si es necesario, quite el seguro del gatillo.
2. Inserte la batería y haga clic en el gatillo para activar la herramienta.
3. Sostenga la herramienta con ambas manos al mirar la pantalla OLED en la herramienta. Pulse los botones a los lados de la pantalla para desplazarse a la pantalla de Current User (Usuario actual).
4. Mantenga pulsados ambos botones para ver la pantalla de User Select (Selección de usuario). Pase por las pantallas con el botón hacia la derecha para desplazarse hasta el perfil deseado; haga doble clic en Remote (Remoto).
5. Haga clic con el gatillo para activar el perfil seleccionado. Nota: El perfil remoto requiere pasos adicionales antes de que la herramienta esté lista para usar, consulte Perfil remoto.

## Perfil Manual

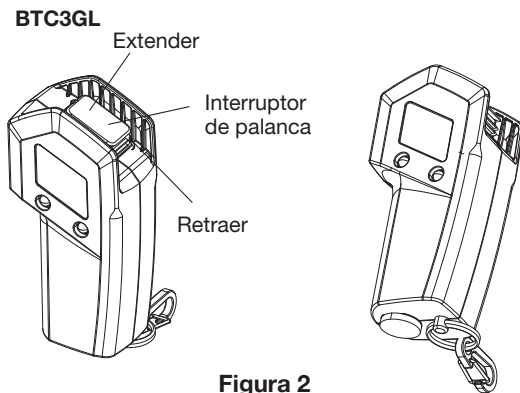
Antes de su uso, confirme que las líneas a cortar estén desenergizadas

1. Manténgase alejado de las piezas móviles, pruebe el funcionamiento de la herramienta haciendo doble clic y manteniendo presionado el gatillo para ver si la cuchilla avanzará. La cuchilla no avanzará al sostener el gatillo si está en el perfil remoto, sin información del control remoto. El gatillo activa una luz LED blanca que permanecerá encendida durante el funcionamiento y durante 10 segundos después de que se suelte el gatillo.
2. Si es necesario, mantenga pulsado el botón de retracción para devolver la cuchilla a la posición inicial. Al final de un ciclo de corte completo, la cuchilla se retraerá automáticamente a la posición inicial.
3. Abra la cabeza tirando del pasador de tracción hacia afuera.
4. Coloque la herramienta de modo tal que el cable quede en la abertura del cabezal de corte.
5. Cierre el cabezal de corte e inserte el pasador de tracción por completo. La inserción parcial del pasador puede provocar un corte incorrecto.
6. Sostenga la herramienta firmemente con ambas manos y mantenga una postura estable. Mantenga la herramienta en un ángulo de 90 grados con respecto al cable (Fig. 3) para asegurar un corte recto. No gire la pieza de trabajo ni la herramienta durante la operación de corte, podría producirse una falla en la cuchilla.
7. Haga doble clic y mantenga pulsado el gatillo hasta que se complete el corte. El proceso de corte se puede interrumpir en cualquier momento soltando el gatillo y la cuchilla se puede retraer con el botón de retracción en la herramienta.
8. Retire la batería antes de preparar otro corte o guardar la herramienta.

Nota: La herramienta se apagará automáticamente cuando esté inactiva durante 15 minutos. Esto se indicará mediante una cuenta regresiva en la pantalla LCD. Al pulsar el gatillo o cualquier botón de la pantalla OLED se restablecerá la cuenta regresiva.

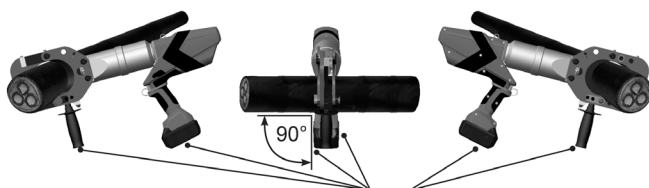


**Operación Remota**



**Figura 2**

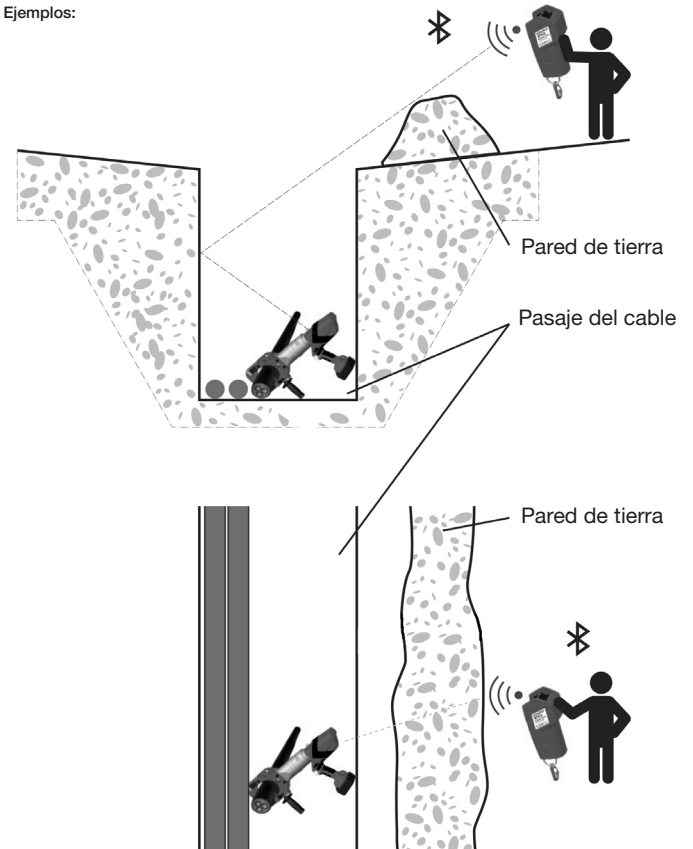
1. Después de seleccionar el perfil remoto, fije el gatillo de la herramienta en posición oprimida moviendo el aro del gatillo sobre él.
2. Haga clic en el interruptor de palanca del control remoto, el LED azul comenzará a parpadear.
3. Cuando aparezca la ID del control remoto en la pantalla, confirme "Yes" (Si) pulsando el botón de la herramienta situada junto a él. La ID del control remoto se encuentra encima de la calcomanía de señal del control remoto.
4. Cuando se le solicite por la pantalla de la herramienta, complete el emparejamiento remoto haciendo clic en el interruptor de alternancia, el LED azul del control remoto dejará de parpadear una vez que se realice una conexión.
5. Haga doble clic en Extend (Extender) en el interruptor de palanca para activar la operación remota.
6. Pruebe la herramienta haciendo doble clic en el control remoto de nuevo y manteniendo presionado Extend (Extender) en el interruptor de palanca para avanzar la cuchilla y probar la conexión inalámbrica a la herramienta. El LED verde del control remoto comenzará a parpadear y seguirá parpadeando mientras la cuchilla de la herramienta se está moviendo.
7. Haga clic una vez y mantenga presionado Retract (Retraer) en el interruptor de palanca o presione el botón rojo Retract (Retraer) en la herramienta para devolver la cuchilla a la posición inicial.
8. Abra el cabezal usando el pasador de tracción.
9. Coloque la herramienta de modo tal que el cable quede en la abertura del cabezal de corte.
10. Cierre el cabezal de corte e inserte el pasador de tracción por completo. La inserción parcial del pasador puede provocar un corte incorrecto.
11. Coloque la herramienta en un ángulo de 90 grados con respecto al cable (Fig. 3). para asegurar un corte recto, y asegúrese de que el área está despejada. Sujete la herramienta para limitar el desplazamiento y la rotación durante la operación y para evitar que se caiga.



Posicionar tal como se muestra

**Figura 3**

Ejemplos:



**Figura 4**

12. Haga doble clic y mantenga presionado el interruptor de palanca "Extend" (Extender), el LED verde comenzará a parpadear. Cuando se complete el corte, tanto el LED azul como el verde dejarán de parpadear y se escuchará un sonido desde el control remoto. El proceso de corte se puede interrumpir en cualquier momento soltando el interruptor y la cuchilla se puede retraer presionando y sosteniendo el botón de "Retract" (Retraer) del interruptor de palanca.
13. Una vez completado el corte por señal remota, desplácese para recuperar la herramienta comprobando el área alrededor de la herramienta antes de acercarse a la misma. Si el operador no estaba al alcance de la vista mientras utilizaba el control remoto, el área ahora puede tener nuevos peligros como resultado del corte del cable.
14. Retire la batería antes de preparar otro corte o guardar la herramienta.

Nota: La herramienta se apagará automáticamente después de 30 minutos de inactividad cuando esté en modo remoto. Se mostrará una cuenta regresiva en la pantalla OLED y se restablecerá cuando se utilice o desconecte el control remoto.

## Mantenimiento

**⚠ ADVERTENCIA**

- **No dé ningún tipo de servicio de mantenimiento aparte del descrito en este manual.** Puede provocar lesiones personales o dañar la herramienta.
- **No abra la herramienta.** Contiene piezas que el usuario no puede reparar.

- Utilice un trapo húmedo y detergente suave para limpiar la carcasa después de cada uso. Seque por completo, retire la batería y retraiga completamente la cuchilla antes de almacenarla.
- No afile las cuchillas, para reemplazar las cuchillas envíelas para recibir mantenimiento.

## Servicio

**⚠ ADVERTENCIA**

- **No seguir la programación de servicio requerida puede poner en riesgo la herramienta y ocasionar lesiones graves.**

Ya sea a los 3 años o 10.000 ciclos, la herramienta dejará de funcionar y se debe completar el servicio de fábrica de la herramienta antes de que la herramienta vuelva a funcionar. El servicio de fábrica incluye inspecciones generales, reemplazo de aceite hidráulico dieléctrico de la herramienta y pruebas de la herramienta a cargo de técnicos capacitados.

Cuando se acerque o se cumpla la fecha del servicio de fábrica, comuníquese con Servicio al Cliente de Greenlee. El envío acelerado está disponible.

Utilice este cronograma para realizar un seguimiento de cuándo debe realizar el servicio de fábrica de su herramienta.

Calendario de mantenimiento de rutina	Fecha de mantenimiento	Notas
Fecha puesta en servicio		
Fecha del primer mantenimiento de fábrica		
Fecha del segundo mantenimiento de fábrica		
Fecha del tercer mantenimiento de fábrica		
Fecha del cuarto mantenimiento de fábrica		
Fecha del quinto mantenimiento de fábrica		
Fecha del sexto mantenimiento de fábrica		
Fecha del séptimo mantenimiento de fábrica		
Fecha del octavo mantenimiento de fábrica		
Fecha del noveno mantenimiento de fábrica		
Fecha del décimo mantenimiento de fábrica		

## Resolución de Problemas

### Antes de comenzar

1. Asegúrese que la batería esté cargada. Vuelva a comprobar la batería tras unos minutos para asegurarse de que la batería no está perdiendo su carga.
2. Quite la batería de la herramienta.
3. Revise la herramienta, consulte Inspección previa a la operación.
4. Vuelva a instalar la batería y verifique la herramienta nuevamente.

Consulte las siguientes tablas para obtener soluciones para resolver posibles problemas que la herramienta pueda tener. Para colaborar con la resolución de problemas, la tabla del indicador LED de la herramienta (pág. 24) explica las señales del LED rojo de la herramienta que pueden producirse.

**Tabla de resolución de problemas de operación de la herramienta**

Problema	Causa posible	Remedio probable
La herramienta no funciona.	Contaminantes en la zona del pistón retráctil de la herramienta.	Limpie la herramienta.
	Los componentes de la herramienta están gastados o dañados.	Envíe la herramienta a mantenimiento.
El motor no funciona.	Batería con poca carga o descargada.	Pruebe con una batería que sí tenga carga. La batería que no funciona puede estar descargada o podría haber llegado al final de su vida esperada de funcionamiento.
	Piezas rotas del interruptor.	Envíe la herramienta a mantenimiento.
El motor funciona pero la herramienta no completa un ciclo.	Bajo nivel de aceite.	Envíe la herramienta a mantenimiento.
	Aire en el sistema hidráulico.	Tire del gatillo y mantenga presionado el botón de retracción durante unos 10 segundos, intente cortar de nuevo. Si no se realiza correctamente, envíe la herramienta a mantenimiento.
	Aceite frío.	Tire del gatillo y mantenga presionado el botón de retracción durante unos 10 segundos para calentar el aceite.
La herramienta pierde aceite.	Sello dañado.	Envíe la herramienta a mantenimiento.

**Tabla de códigos de error de la herramienta**

Código de error	Significado	Procedimiento
1	Fusible de sobrecorriente	Realizar mantenimiento
2	Comparador de sobrecorriente	Realizar mantenimiento
3	Placa de circuito sobrecalentada	Enfriar la herramienta
4	Batería sobrecalentada	Enfriar la batería
5	Batería vacía; se detiene la operación	Cargar la batería
6	Corte defectuoso; ciclo completo	Realizar mantenimiento
7	Corte defectuoso; ciclo incompleto	Realizar mantenimiento
8	Batería baja	Cargar la batería
9	Batería vacía	Cargar la batería
10	Batería de reloj en tiempo real baja	Realizar mantenimiento
11	Herramienta desactivada	Realizar mantenimiento
12	Servicio necesario	Realizar mantenimiento
13	Reloj en tiempo real no encontrado	1. Volver a insertar la batería 2. Realizar mantenimiento
14	Unidad Bluetooth® no encontrada	1. Volver a insertar la batería 2. Realizar mantenimiento
15	[No utilizado]	
16	Sensor de presión no encontrado	Realizar mantenimiento
17	Presión excedida	Realizar mantenimiento
18	Temperatura de la batería demasiado baja	Calentar la batería
21	Batería de control remoto baja	Reemplazar la batería

## Desecho

Partes de estas herramientas contienen materiales valiosos que se pueden reciclar. Existen empresas que se especializan en el reciclaje y que se pueden encontrar localmente. Deseche los componentes de acuerdo con todas las normas aplicables. Póngase en contacto con su autoridad local de gestión de residuos para obtener más información.

## Declaraciones Obligatorias

### Modelo X — ID de FCC: RFR-S50; ID de IC: 4957A-S50

#### Requisitos de EE. UU.:

Parte responsable: Greenlee Tools, Inc. Rockford, IL 61109, EE. UU.

*Aviso: Este equipo ha sido sometido a prueba y se ha determinado que cumple con los límites para un dispositivo digital de Clase A, de acuerdo con la Parte 15 de las Normas de la FCC. Estos límites están diseñados para ofrecer protección razonable contra interferencias perjudiciales cuando el equipo opera en un ambiente comercial. Este equipo genera, utiliza y puede irradiar energía de radiofrecuencia y, si no se instala y utiliza de acuerdo con el manual de instrucciones, puede ocasionar interferencias perjudiciales a las radiocomunicaciones. Es probable que el uso de este equipo en una zona residencial ocasione interferencias perjudiciales, en cuyo caso, será la responsabilidad del usuario corregir la interferencia por cuenta propia.*

*Este dispositivo cumple con los requisitos de exención de la prueba SAR de exposición a RF para dispositivos portátiles, si se mantiene una distancia de separación mínima. Sin embargo, el dispositivo debe utilizarse de tal manera que se minimice la posibilidad de contacto humano durante la operación normal.*

#### Requisitos de Canadá:

*Este dispositivo cumple con los RSS exentos de licencia de Industry Canada. El funcionamiento está sujeto a las siguientes dos condiciones:*

- (1) Este dispositivo no puede causar interferencia; y*
- (2) Este dispositivo debe aceptar cualquier interferencia, incluida la interferencia que puede causar funcionamiento no deseado del dispositivo.*

*Le présent appareil est conforme aux CNR d'Industrie Canada applicables aux appareils radio exempts de licence. L'exploitation est autorisée aux deux conditions suivantes:*

- 1) l'appareil ne doit pas produire de brouillage;*
- 2) l'utilisateur de l'appareil doit accepter tout brouillage radioélectrique subi, m'ême si le brouillage est susceptible d'en compromettre le fonctionnement.*

## Garantía

La herramienta ESG105LXR está cubierta por la garantía limitada estándar de Greenlee por un período de 7 años.

Visite nuestro sitio web para revisar la garantía limitada estándar de Greenlee.

Para reclamaciones de garantía y/o mantenimiento de fábrica, comuníquese con Servicio al Cliente de Greenlee llamando al 800-435-0786.

Recordatorio: La reclamación de garantía es nula si la herramienta es abierta por cualquier persona no autorizada para dar servicio a esta herramienta.

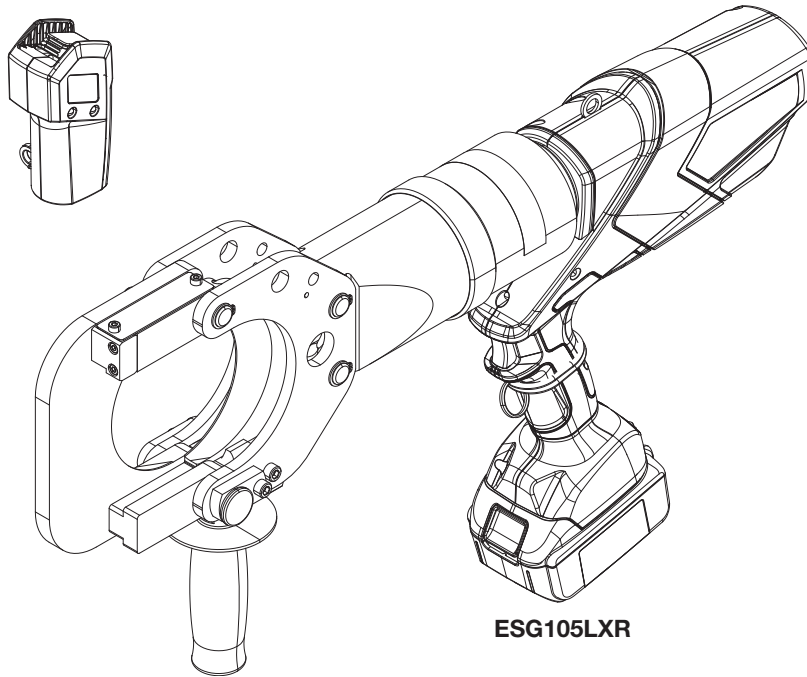


# MANUEL D'INSTRUCTIONS



Notez le numéro de série ici

(Voir p. 42 pour Instr. de l'écran ACL)



E114954



REG F931

Español.....17-32  
Français.....33-48

ESG105LXR

## Coupe-Câble à Distance Avec Lame de Position Finale et Télécommande Sans Fil



**55 lire et comprendre** toutes les instructions et tous les renseignements de sécurité du présent manuel avant d'utiliser cet outil ou d'en effectuer l'entretien.

**CONSERVER LE PRÉSENT MANUEL**

**Table Des Matières**

Page De Couverture .....	33
Table Des Matières .....	34
Symboles Clés De Sécurité.....	35
Sécurité Générale Concernant Les Outils Électriques .....	36-37
Informations De Sécurité Propres À L'outil .....	38
Coordonnées Greenlee .....	38
Description De L'outil .....	39
Caractéristiques Importantes.....	39
Caractéristiques Techniques .....	39
Identification De L'outil.....	40
Identification À Distance .....	40
Étiquetage Et Emplacement.....	41
Écran Delo .....	42
Application Bluetooth/I-Press .....	42
Formation Et Qualifications .....	43
Inspection Avant Utilisation.....	43
Zone De Travail Et Mise En Place D'outils .....	43
Fonctionnement De L'outil .....	44
Sélection Du Profil De Coupe.....	44
Profil Portable.....	44
Commande À Distance .....	45
Entretien .....	46
Rangement .....	46
Réparations .....	46
Dépannage .....	47
Élimination .....	48
Garantie.....	48
Déclarations Obligatoires .....	48

***CONSERVER LE PRÉSENT MANUEL***

## Symboles Clés de Sécurité

Dans le présent manuel d'utilisation et sur le produit, des symboles de sécurité et des mots indicateurs sont utilisés pour communiquer des informations de sécurité importantes. L'objet de la présente section est d'améliorer la compréhension de ces mots et symboles indicateurs.



Il s'agit du symbole d'avertissement. Il est utilisé pour vous mettre en garde contre les risques potentiels de blessures corporelles. Respecter tous les messages de sécurité qui suivent ce symbole pour éviter d'éventuelles blessures, voire le décès.

### **DANGER**

indique une situation dangereuse qui, si elle n'est pas évitée, entraînera des blessures graves, voire mortelles.

### **AVERTISSEMENT**

indique une situation dangereuse qui, si elle n'est pas évitée, peut entraîner des blessures graves, voire mortelles.

### **CAUTION**

indique des dangers ou des pratiques dangereuses qui, s'ils ne sont pas évités, SONT SUSCEPTIBLES d'entraîner des blessures ou des dommages matériels.



Ce symbole signifie qu'il faut lire attentivement le manuel d'utilisation avant d'utiliser l'équipement. Le manuel d'utilisation contient des informations importantes sur la sécurité et le bon fonctionnement de l'équipement.



Ce symbole signifie qu'il faut toujours porter des lunettes de sécurité à écrans latéraux ou des lunettes de protection lors de la manipulation ou de l'utilisation de cet équipement afin de réduire le risque de blessures oculaires.



Toujours porter des gants lors de l'utilisation de cet équipement pour réduire le risque de blessures.

	<p>Ce symbole indique le risque de décharge électrique.</p>
	<p>Ce symbole indique le risque d'éclat d'arc électrique.</p>
	<p>Ce symbole indique que les mains, les doigts ou d'autres parties du corps peuvent être coupés ou gravement blessés.</p>
	<p>Ce symbole indique le risque de blessures par choc.</p>

## Sécurité Générale Concernant Les Outils Électriques\*

### ▲ AVERTISSEMENT



Lire tous les avertissements de sécurité, les instructions, les illustrations et les spécifications fournis avec cet outil électrique. Veiller à respecter toutes les instructions ci-dessous pour écarter les risques de décharge électrique, d'incendie et de blessure grave.

### CONSERVER TOUS LES AVERTISSEMENTS ET TOUTES LES INSTRUCTIONS POUR CONSULTATION ULTÉRIEURE.

Dans les mises en garde, le terme « outil électrique » fait référence à un outil électrique fonctionnant sur le courant secteur (à fil) ou à un outil électrique à batterie (sans fil).

### SÉCURITÉ DE L'AIRE DE TRAVAIL

- **Garder la zone de travail propre et bien éclairée.** Les endroits sombres et encombrés favorisent les accidents.
- **Ne pas utiliser les outils électriques dans des atmosphères explosives, notamment en présence de liquides, gaz ou poussières inflammables.** Les outils électriques produisent des étincelles susceptibles d'enflammer les poussières ou les vapeurs.
- Tenir les enfants et autres personnes présentes à l'écart durant l'utilisation d'un outil électrique. Les distractions peuvent provoquer une perte de contrôle.

### SÉCURITÉ EN MATIÈRE D'ÉLECTRICITÉ

- **La fiche de l'outil électrique doit correspondre au type de prise. Ne jamais modifier la fiche d'une quelconque manière.** Ne pas utiliser de fiche d'adaptation sur des outils électriques à fiche de terre. L'utilisation de la fiche d'origine et d'une prise appropriée contribue à réduire le risque de décharge électrique.
- **Éviter tout contact corporel avec des surfaces reliées à la masse ou à la terre, notamment les tuyaux, radiateurs, cuisinières et réfrigérateurs.** La mise à la terre du corps accroît le risque de décharge électrique.
- **Ne pas exposer les outils électriques à la pluie ou à l'humidité.** L'infiltration d'eau dans un outil électrique accroît le risque de décharge électrique.
- **Ne pas maltraiter le cordon. Ne jamais se servir du cordon pour porter, tirer ou débrancher l'outil électrique.** Tenir le cordon à l'écart de sources de chaleur, d'huile, d'arêtes coupantes ou de pièces mobiles. Un cordon endommagé ou emmêlé accroît le risque de décharge électrique.
- **Lors de l'utilisation d'un outil électrique à l'extérieur, utiliser un cordon de rallonge prévu pour l'extérieur.** L'utilisation d'un cordon prévu pour l'extérieur réduit le risque de décharge électrique.
- **Si un outil électrique doit absolument être utilisé dans un endroit humide, utiliser une alimentation électrique protégée par DÉTECTEUR DE FUITE À LA TERRE (DFT).** L'utilisation d'un DFT réduit le risque de décharge électrique.

### SÉCURITÉ INDIVIDUELLE

- **Faire preuve de vigilance, de concentration et de bon sens lors de l'utilisation d'un outil électrique.** Ne pas utiliser un outil électrique si l'on est fatigué ou sous l'emprise de drogues, d'alcool ou de médicaments. Un instant d'inattention durant l'utilisation d'un outil électrique peut entraîner des blessures graves.
- **Utiliser un équipement de protection individuelle (EPI).** Toujours porter une protection oculaire. Les équipements protecteurs tels qu'un masque antipoussière, des chaussures de sécurité antidérapantes, un casque ou une protection auditive utilisés dans des conditions appropriées réduisent les risques de blessure.
- **Éviter tout démarrage accidentel.** S'assurer que l'interrupteur est en position d'arrêt avant de raccorder l'outil à une prise de courant ou à une BATTERIE, de le saisir ou de le transporter. Le fait de porter un outil électrique avec le doigt sur l'interrupteur ou de mettre sous tension un outil électrique avec l'interrupteur en position de marche favorise les accidents.
- **Veiller à enlever toute clé ou tout outil de réglage avant de mettre l'outil électrique en marche.** Une clé ou un outil laissés attachés à une pièce rotative de l'outil électrique peuvent entraîner des blessures corporelles.
- **Ne pas tendre le bras trop loin. Se tenir bien campé et en équilibre.** Cela permet un meilleur contrôle de l'outil électrique en cas de situations inattendues.
- **Porter une tenue appropriée.** Ne pas porter de vêtements amples ni de bijoux. Tenir les cheveux, les vêtements et les gants à l'écart des pièces mobiles. Les vêtements amples, les bijoux et les cheveux longs peuvent se prendre dans les pièces en mouvement.
- **Si des mécanismes sont prévus pour le raccordement à des équipements d'extraction et de collecte de poussière, s'assurer qu'ils sont raccordés et utilisés comme il se doit.** L'utilisation d'un dispositif de captation des poussières peut réduire les dangers liés à la poussière.
- **Ne pas laisser la familiarité acquise par une utilisation fréquente de l'outil entraîner une baisse de la vigilance ou le non-respect des principes de sécurité.** Un geste imprudent peut entraîner des blessures graves en une fraction de seconde.

### UTILISATION ET ENTRETIEN DE L'OUTIL ÉLECTRIQUE

- **Ne pas forcer sur l'outil.** Utiliser l'outil électrique adapté au travail à effectuer. L'outil électrique adapté assure un travail plus correct et plus sûr, au régime pour lequel il a été conçu.
- **Ne pas utiliser l'outil électrique si l'interrupteur ne le met pas en marche et à l'arrêt.** Tout outil électrique qui ne peut pas être commandé au moyen de l'interrupteur est dangereux et doit être réparé.
- **Débrancher la fiche de la source de courant ou la BATTERIE, si amovible, de l'outil électrique avant d'effectuer des ajustements, de changer d'accessoire ou de ranger l'outil électrique.** Ces mesures préventives réduisent le risque de démarrage accidentel de l'outil électrique.

- **Ranger les outils électriques inutilisés hors de la portée des enfants et interdire l'utilisation aux personnes non familiarisées avec l'outil électrique ou avec ces instructions.**
- **Les outils électriques sont dangereux dans les mains d'utilisateurs inexpérimentés.**
- **Entretenir les outils électriques et les accessoires. Vérifier que l'outil électrique ne présente pas de pièces mobiles grippées ou désaxées, de pièces cassées ou d'autres problèmes susceptibles d'entraver son bon fonctionnement.**
- **En cas de dommage, faire réparer l'outil électrique avant de l'utiliser.** De nombreux accidents sont causés par des outils électriques mal entretenus.
- **Garder les outils de coupe propres et affûtés.** Les outils de coupe bien entretenus et aux arêtes tranchantes sont moins susceptibles de se bloquer et sont plus faciles à maîtriser.
- **Utiliser l'outil électrique, les accessoires, les outils de coupe, etc., conformément à ces instructions, en tenant compte des conditions de travail et de la tâche à effectuer.** L'utilisation de l'outil électrique pour des travaux autres que ceux prévus peut donner lieu à des situations dangereuses.
- **Garder les poignées et les surfaces de prise sèches, propres et sans traces d'huile et de graisse.** Les poignées ou les surfaces de prise glissantes ne permettent pas une manipulation et un contrôle sécuritaires de l'outil lors de situations inattendues.

#### **UTILISATION ET ENTRETIEN DE L'OUTIL À BATTERIE**

- **Recharger uniquement avec le chargeur indiqué par le fabricant.** Un chargeur prévu pour un type de BATTERIE donné peut présenter un risque d'incendie s'il est utilisé avec une BATTERIE différente.
- **Utiliser l'outil électrique exclusivement avec les modèles de BATTERIE indiqués.** L'utilisation de BATTERIES différentes peut présenter un risque de blessure et d'incendie. Lorsque la BATTERIE n'est pas utilisée, la garder à l'écart de petits objets métalliques, tels que trombones, pièces de monnaie, clés, clous, vis et autres, susceptibles de créer un contact entre deux bornes. Un court-circuit entre des bornes de BATTERIE peut provoquer des brûlures ou un incendie.
- **Dans des conditions d'utilisation abusive, du liquide peut être éjecté de la BATTERIE; éviter de le toucher.** En cas de contact accidentel, rincer à l'eau. En cas de contact du liquide avec les yeux, consulter en outre un médecin. Le liquide éjecté par la BATTERIE peut provoquer une irritation ou des brûlures.
- **Ne pas utiliser une BATTERIE ou un outil endommagé ou modifié.** Les batteries endommagées ou modifiées peuvent présenter un comportement imprévisible, entraînant des incendies, des EXPLOSIONS ou des risques de blessures.
- **Ne pas exposer une BATTERIE ou un outil à un feu ou à une température excessive.** Une exposition au feu ou à une température supérieure à 130 °C (265 °F) peut provoquer une explosion.

- **Suivre toutes les instructions de charge et ne pas charger la BATTERIE ou l'outil à une température en dehors de la plage spécifiée dans les instructions.** Une charge incorrecte ou à des températures en dehors de la plage spécifiée risque d'endommager la batterie et d'augmenter le risque d'incendie.




#### **ENTRETIEN**




- **Confier l'outil électrique à un réparateur qualifié utilisant exclusivement des pièces de rechange identiques.** Cela préserve la sécurité de l'outil électrique.
- **Ne jamais réparer les batteries endommagées. La réparation des batteries ne doit être effectuée que par le fabricant ou des prestataires agréés.**

*\* Le texte utilisé dans la section Mises en garde générales concernant les outils électriques est exigé par la norme EN 62841-1 applicable en vertu de laquelle cet outil est testé. Cette section présente les pratiques générales de sécurité pour de nombreux types d'outils électriques différents. Toutes les précautions ne s'appliquent pas à chaque outil, d'autres peuvent ne pas s'appliquer à cet outil.*

## Informations de Sécurité Propres à L'outil

**⚠ AVERTISSEMENT**

- **Utiliser l'outil, les accessoires, etc. adaptés au travail à effectuer.** L'outil adapté assure un travail plus correct et plus sûr, au régime pour lequel il a été conçu. L'utilisation de l'outil pour des travaux autres que ceux prévus peut donner lieu à des situations dangereuses. Conserver ce manuel avec l'outil dans l'espace prévu à cet effet dans l'étui de transport.
- **Avant d'utiliser cet outil, veiller à lire et comprendre :**
  - le présent manuel d'utilisation
  - le manuel du chargeur/de la batterie
  - les instructions et avertissements relatifs à tout autre équipement utilisé avec cet outil
  - les marquages sur l'outil
  - les procédures de sécurité requises sur le chantier
- **Suivre toutes les procédures de travail appropriées et requises et porter tout l'EPI requis lors du travail sur un chantier à proximité de lignes électriques sous tension.** Si vous n'êtes pas formé et familiarisé avec les exigences en matière de chantier et d'EPI, n'utilisez pas cet outil.
- **Cet outil n'est pas isolé.** Pour utiliser cet appareil à proximité de lignes électriques sous tension, porter l'équipement de protection individuelle approprié.
- **Ne pas utiliser sur les lignes électriques sous tension.** Cela réduit le risque de choc électrique et d'éclat d'arc électrique.
- **Pendant l'utilisation à distance de cet outil, rester en dehors de la limite de l'éclat d'arc électrique conformément à la norme NFPA 70E pour le conducteur coupé afin de réduire le risque de blessure grave.**
- **Ne pas couper de câble sous tension. Le câble peut fouetter et frapper lorsqu'il est coupé et entraîner des blessures graves ou la mort.**
- **De grandes forces sont générées lors de l'utilisation et peuvent briser ou projeter des pièces et causer des blessures.** Éloigner toutes les personnes non indispensables de la zone de travail et porte l'EPI approprié.

- **Ne pas modifier l'outil.** La modification de l'outil de quelque manière que ce soit peut entraîner des blessures corporelles et l'annulation de la garantie de l'outil. Une tête qui a été soudée, mise à la terre, percée ou modifiée de quelque manière que ce soit peut s'arrêter en cours d'utilisation. Pour réduire les risques de blessures, remplacer l'ensemble de la tête endommagée, jamais les composants individuels. Jeter les têtes endommagées à l'aide de méthodes d'élimination appropriées.
- **Éloigner les doigts et les mains de la tête de l'outil au cours du cycle de fonctionnement.** Les doigts et les mains peuvent être broyés, fracturés ou amputés s'ils sont pris dans la tête de l'outil ou entre la tête de l'outil et d'autres objets.
- **Retirer la batterie avant d'interagir avec la tête de coupe.**
- **Une personne doit contrôler le processus de travail et le fonctionnement de la machine.** Seul l'opérateur doit se trouver dans la zone lorsque l'outil est en cours de fonctionnement.

## Coordonnées Greenlee

Si vous avez des questions, ou si vous devez faire appel au service après-vente ou acheter des pièces ou des accessoires pour ce produit Greenlee : communiquez avec votre distributeur Greenlee local ou le centre de service à la clientèle de Greenlee.

Des exemplaires supplémentaires de ce manuel sont disponibles en téléchargement à [www.greenlee.com](http://www.greenlee.com)

### Service à la clientèle Greenlee

États-Unis : 1-800-435-0786 | Canada : 800-435-0786

International : 1-815-397-7070

[GRNCustomerService@emerson.com](mailto:GRNCustomerService@emerson.com)

### Adresse de livraison :

Greenlee Factory Service Center

4411 Boeing Drive, Rockford, IL 61109

## Description de L'outil

**Le coupe-câble à distance avec lame de position finale et télécommande sans fil est conçu pour permettre la coupe en deux profils : portable et à distance. Il est destiné à couper ce qui suit :**

- **ESG105LXR** : Câble polyphasé jusqu'à 105 mm (4-1/8 po) de diamètre. Cet outil est conçu pour couper la plupart des câbles de moyenne et de basse tension en cuivre et en aluminium multibrins, ainsi que les câbles armés d'acier doux utilisés sur les chantiers.

Cet outil n'est pas destiné à être utilisé sur un hauban EHS, une tige en acier, un câble en acier ou un câble ACSR. L'outil est protégé par les brevets américains N° 6,206,663, 6,276,186, 6,401,515 et 6,718,870. Brevet en instance.

## Caractéristiques Importantes

- Deux profils d'utilisation : portable traditionnel et à distance.
  - Le fonctionnement à distance permet à l'opérateur d'être physiquement séparé de l'outil de coupe lors de la coupe. Cette fonction est utile pour maintenir l'opérateur hors de portée de l'éclat d'arc électrique lorsqu'il coupe un câble dont il n'est pas certain qu'il soit hors tension.
  - La télécommande est équipée d'un signal lumineux et sonore pour informer l'utilisateur lorsque la lame se déplace et lorsque la coupe est terminée.
- Connectivité Bluetooth® à l'application Greenlee I-Press

*Bluetooth est une marque déposée de BLUETOOTH SIG, Inc.*

- Écran DELO pour une lecture claire des informations sur les outils.
- Un frein électrique qui arrête le mouvement vers l'avant de la lame lorsque la gâchette à distance est relâchée.
- Un bouton de rétraction contrôlant un solénoïde de libération à verrouillage magnétique pour rétracter la lame à tout moment en mode à distance.
- L'outil intègre une rétraction automatique qui ramène la lame à la position initiale lorsque la coupe est terminée en mode portable.
- La tête de coupe a été conçue pour pivoter à 350° autour de l'axe longitudinal afin de permettre un accès optimal aux coins étroits et autres zones de travail difficiles.

## Caractéristiques Techniques

### Outil de coupe ESG105LXR

Longueur : ..... 620 mm (24,4 po)  
Largeur : ..... 76 mm (3,00 po)  
Hauteur (avec batterie) : ..... 371 mm (14,6 po)  
Poids (avec batterie) : ..... 10,1 kg (22,3 lb)

### Capacités de coupe :

Diamètre de coupe de câble max. : ..... 105 mm (4-1/8 po)  
Matériaux de câble : ..... Câble polyphasé cuivre, aluminium, à armure de plomb et câble à armure d'acier doux

**Non destiné à être utilisé sur un hauban EHS, une tige en acier, un câble en acier ou un câble ACSR.**

**Cet outil n'est pas destiné à être utilisé dans des applications marines.**

Plage de température de fonctionnement : ..... -20 °C à 40 °C  
(4 °F à 104 °F)

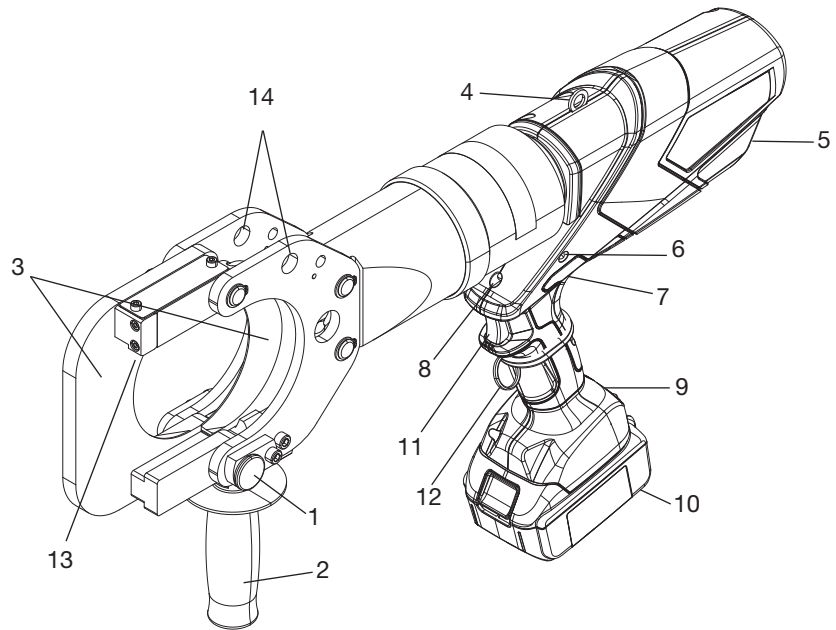
Batterie de l'outil : ..... 18 V MAKITA® LXT® Lithium-ion

Batterie à distance : ..... AA (LR03)

Toutes les caractéristiques sont nominales et peuvent changer lorsque des améliorations sont apportées à la conception.

## Identification de L'outil

1. Tige de traction
2. Poignée (amovible)
3. Lames
4. Cordes de fixation de levage
5. Boîtier
6. DEL indicateur d'outil (rouge)
7. Bouton de rétraction
8. DEL outil en fonctionnement (blanc)
9. Écran DELO
10. Batterie
11. Gâchette
12. Verrouillage de la gâchette
13. Capteur de position de lame
14. Points de masse



## Identification à Distance

1. Interrupteur à bascule de commande à distance
2. DEL mouvement de la lame (vert)
3. Connectivité Bluetooth
4. DEL couvercle du port de batterie (bleu)
5. Pince de la sangle de transport

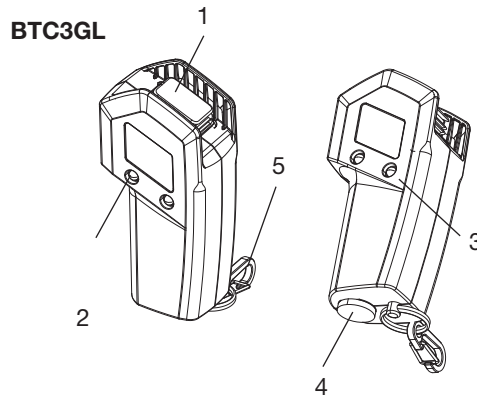


Tableau DEL indicateur d'outil

Situation	Signal Rouge	Signification	Ce qu'il faut faire
L'outil ne démarre pas et le voyant s'allume en continu pendant 20 secondes lorsque la gâchette est relâchée	■	Charge de la batterie faible	Changer ou charger la pile
L'outil s'arrête et le voyant s'allume en continu pendant 20 secondes lorsque la gâchette est relâchée	■		
L'outil s'arrête et le voyant clignote pendant 20 secondes lorsque la gâchette est relâchée	●●●●	Le courant du moteur dépasse 20 A durant le cycle	Laisser l'outil refroidir
		Le circuit a surchauffé	
Le voyant clignote pendant 20 secondes à la fin du cycle	●●●●		Envoyer l'outil à des fins d'entretien

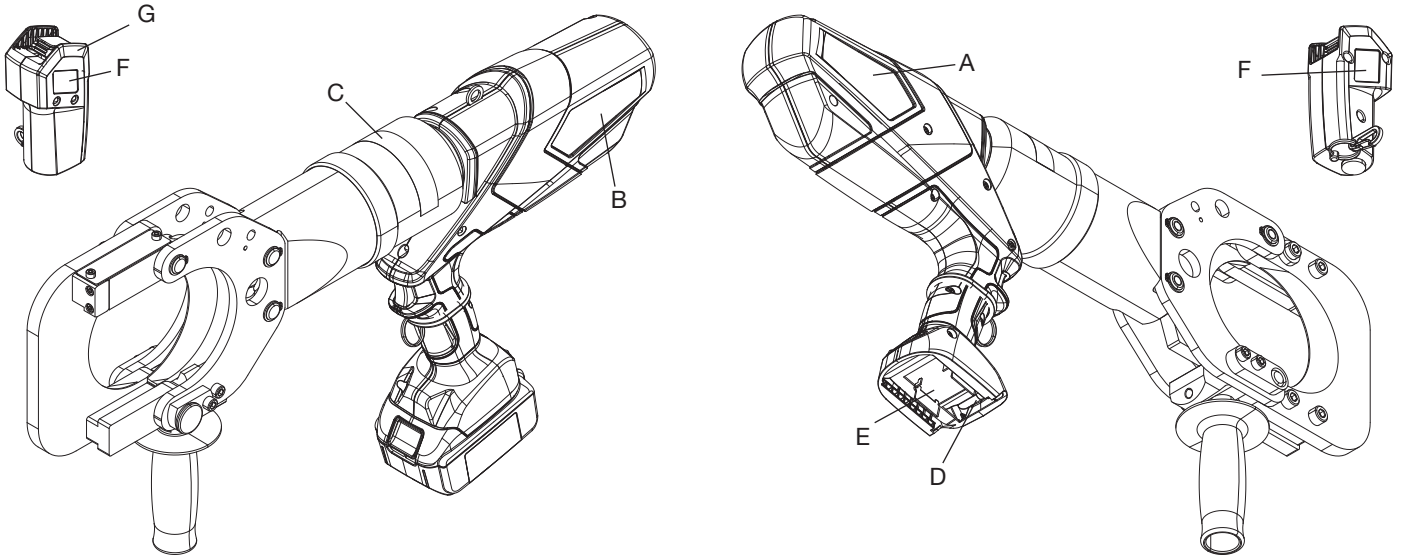
Tableau de signaux DEL à distance

Situation	Signal		Signification
	Vert	Bleu	
Le voyant vert clignote. Le voyant vert reste éteint.		☀☀	Recherche de signal Bluetooth à partir de l'outil.
Voyant bleu allumé en continu. Le voyant vert reste éteint.		■	Signal Bluetooth trouvé et couplé.
Le voyant vert clignote et le voyant bleu est allumé en continu.	☀☀	■	La lame de l'outil est en mouvement.
Les voyants verts et bleus sont allumés tous les deux.	☀☀	☀☀	La batterie est faible.
Les voyants verts et bleus sont allumés en continu. Un son se fait entendre à distance.	■	■	La coupe est terminée et la lame s'est rétractée.



**Étiquetage et Emplacement**

- A. Renseignements sur le modèle (52079313)
- B. Identification de la marque et de la fabrication (52087864)
- C. Risque de coupe (52024564)
- D. Étiquette d'adresse de fabrication (52087869)
- E. Certification FCC (52087786)
- F. Informations à distance (52087866)
- G. Gravure ID à distance



**A. ESG105LXR BATTERY CABLE CUTTER**  
 Capacity: 4-1/8" (105 mm) dia.  
 Cut only copper and aluminum conductors, including lead and soft steel armored cable.  
**DO NOT CUT STEEL ROD, STEEL CABLE, OR ACSR**  
 For use only with 18V  $\Rightarrow$  Makita® Battery

U.S. Pat. No. 6,206,663, 6,276,186, 6,401,515 and 6,718,870  
 Patent Pending

52087864

**B. GREENLEE GATOR**  
 Made in Germany 52079313 REV1

**C.**

**D. GREENLEE**  
 Greenlee Tools Inc.  
 4455 Boeing Drive,  
 Rockford IL  
 61109-2988 USA

**E. FCC ID: RFR-S50 • IC: 4957A-S50**  
 Model: X

This device complies with Part 15 of the FCC Rules and with Industry Canada licence-exempt RSS standard(s). Operation is subject to the following two conditions: (1) this device may not cause harmful interference, and (2) this device must accept any interference received, including interference that may cause undesired operation

52087786

**F. GREENLEE**  
**BTC3GL**  
 Bluetooth control  
 FCC ID: RFR-S50

52087866

BT LRO3 AAA

BT WORK CUT

52087866

## Écran DELO



Cet outil possède un écran DELO affichant des informations sur l'outil.

Allumer l'écran en insérant la batterie et en appuyant sur la gâchette.

Dans le profil portable, faire défiler les différents affichages en utilisant les boutons gauche et droit de chaque côté de l'écran (voir Figure 1). Les écrans ne fonctionneront pas si la télécommande est couplée avec l'outil.

L'écran affiche également les codes d'erreur en cas de fonctionnement anormal. Voir le tableau des codes d'erreur de la section « Dépannage ».

**Figure 1 - Écrans Fonctionnement DELO**

Affichage	Écran DELO	Information affichée
0	 <b>GREENLEE®</b>	
1	P  P PSI	État Bluetooth®, charge de la batterie, pression actuelle, pression max. Garder enfoncés les deux boutons pour changer d'unité, sélectionner avec le bouton de droite et confirmer en actionnant l'outil.
2	FW: INFO 2.0 123456AB001	Version du microprogramme, numéro de série
3	CURRENT USER : 1	Écran de sélection du mode de profil pour choisir entre les fonctionnements de profil à distance et portable
4	# ODS # DAYS	Cycles et jours jusqu'au prochain entretien.
5	TOTAL: T= 0.0h Q= 0.0Ah n= 0	Heures de fonctionnement écoulées (T), Ah utilisé (Q) et nombre de cycles (n) depuis la date de fabrication.

## Application Bluetooth/I-Press

Cet outil est doté de la fonctionnalité Bluetooth qui permet à l'outil de communiquer avec l'application i-press Greenlee sur votre appareil intelligent.

1. Installez l'application « i-Press Klauke Software Solutions » à partir de l'App Store ou de Google Play. Ouvrez l'application sur votre appareil intelligent et sélectionnez l'option « Greenlee ».
2. Connectez-vous à la fonction Bluetooth de son appareil intelligent et activez l'outil pour établir une connexion.
3. L'application vous permet de créer des projets, de personnaliser votre outil et d'afficher les mesures de pression de l'outil, la charge de la batterie, la date du dernier entretien, etc.

Les instructions d'utilisation de l'application sont indiquées dans l'application i-Press elle-même; vous pouvez également demander une brochure MA6864 auprès de n'importe quel distributeur Greenlee.

Si l'outil est couplé à la télécommande, il ne se connectera pas à l'application.



*i-Press est une marque déposée de Gustav Klauke GmbH*

*App Store est une marque déposée d'Apple Inc.*

*Google Play est une marque déposée de GOOGLE INC.*

## Formation et Qualifications

Seuls les travailleurs formés et qualifiés dans les applications à haute tension doivent utiliser cet outil, en particulier dans un environnement de ligne en direct. S'assurer qu'au moins une deuxième personne formée et qualifiée est présente à la distance appropriée.

Respecter toutes les consignes de formation et de sécurité du chantier relatives à l'électricité sous tension, y compris la norme OSHA pour la production d'électricité et la norme NEC 70E : norme pour la sécurité électrique en milieu de travail.

Avant d'utiliser cet outil, lire et comprendre toutes les instructions et avertissements associés à cet outil et tout autre équipement utilisé avec cet outil.

## Inspection Avant Utilisation

### ⚠ AVERTISSEMENT

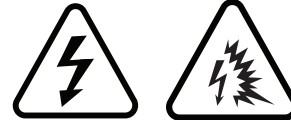
- **Avant l'utilisation, inspecter l'outil électrique et corriger tout problème afin de réduire le risque de blessures graves dues à des chocs électriques, des blessures par écrasement, des défaillances de l'équipement et d'autres causes, et d'éviter tout dommage au niveau de l'outil.**
- **Si un dommage de l'outil est noté ou suspecté, ou si de l'huile hydraulique fuit, ne pas utiliser l'outil.** La sécurité de l'outil peut être compromise. Renvoyer immédiatement l'outil au centre d'entretien en usine de Greenlee pour réparation ou remplacement.

- **Retirer la batterie de l'outil.**
- **Nettoyer toute huile, graisse ou saleté du corps et de la tête de l'outil, y compris sur les poignées et les commandes.** Un outil propre permet l'inspection et d'éviter le glissement de l'outil.
- **Toujours inspecter l'outil et la télécommande avant chaque utilisation pour les problèmes :**
  - Vérifier l'absence d'usure et de dommages sur le logement tels que fissures, entailles ou éclats.
  - Vérifier l'absence de fuites d'huile hydraulique.
  - Vérifier la rotation de la tête de l'outil. Rétracter complètement le vérin. La tête doit tourner librement à 350°.
  - Vérifier les lames pour les copeaux ou les usure significatives. Remplacer les lames qui sont émoussées ou qui présentent des copeaux avant de fonctionner pour une coupe propre.
  - Veiller à ce que l'outil soit propre, sec et exempt de contaminants.

Si des problèmes sont détectés, ne pas utiliser l'outil tant qu'ils n'ont pas été corrigés.

## Zone de Travail et Mise en Place D'outils

### ⚠ AVERTISSEMENT



- **Configurer l'outil et la zone de travail selon ces procédures afin de réduire le risque de blessures causées par une décharge électrique, un éclat d'arc électrique et de réduire le risque de dommages à l'outil.**

1. Toujours porter un EPI approprié pour réduire le risque de blessure.
2. Confirmer la sécurité des zones de travail (inspecter le chantier conformément aux exigences de spécifications de travail de l'OSHA et de l'employeur et consulter les avertissements généraux de sécurité des outils électriques). Travailler dans un endroit dégagé, plat, stable et sec.
3. Confirmer que le circuit est hors tension. Dans la mesure où un circuit sous tension peut être mis hors tension, toujours le mettre hors tension avant de commencer le travail. Respecter toutes les procédures du lieu de travail pour le contrôle de l'énergie dangereuse afin d'éviter toute mise sous tension involontaire pendant le travail. Toujours manipuler la ligne comme si elle était sous tension, même si elle est hors tension. Couper des câbles sous tension peut provoquer un éclat d'arc électrique et entraîner la mort.
4. Inspecter le câble pour confirmer que le câble peut être coupé par cet outil, couper le mauvais type de câble peut endommager l'outil ou causer des blessures corporelles (voir les caractéristiques de l'outil).
5. S'assurer que le chantier est facilement reconnaissable par les observateurs extérieurs afin d'éviter que des personnes ne viennent dans la zone pendant que l'outil est utilisé. Les barrières ou les cônes autour du chantier sont quelques-unes des façons de le faire.
6. S'assurer que tout l'équipement a été correctement inspecté.
7. Si un travail à distance est effectué, identifier une zone appropriée pour l'opération dans la portée sans fil de la commande à distance et en dehors de la distance de l'éclat d'arc électrique NFPA pour éviter les blessures dues à un éventuel éclat d'arc électrique ou à des câbles pouvant fouetter. Le signal Bluetooth peut passer à travers la plupart des matériaux muraux si l'opérateur est situé derrière une barrière ou dans un coin pendant qu'il utilise un outil.

## Fonctionnement de L'outil

⚠ AVERTISSEMENT

<ul style="list-style-type: none"> <li>• <b>Faire fonctionner l'outil selon ces procédures afin de réduire le risque de blessures causées par une décharge électrique, un éclat d'arc électrique et d'autres causes et de réduire le risque de dommages à l'outil.</b></li> <li>• <b>Toujours porter un EPI approprié pour réduire le risque de blessure.</b></li> <li>• <b>Ne pas utiliser sur les lignes électriques sous tension.</b></li> <li>• <b>Pendant l'utilisation à distance de cet outil, rester en dehors de la limite de l'éclat d'arc électrique conformément à la norme NFPA 70E pour le conducteur coupé.</b></li> <li>• <b>Éloigner les doigts et les mains de la tête de l'outil au cours du cycle de fonctionnement.</b> Les doigts et les mains peuvent être broyés, fracturés ou amputés s'ils sont pris dans la tête de l'outil ou entre la tête de l'outil et d'autres objets.</li> </ul>

Avant le fonctionnement, confirmer que tout l'équipement a été correctement inspecté et que la zone de travail et l'outil sont correctement aménagés.

## Sélection du Profil de Coupe

Le coupe-câble à distance avec lame de position finale et télécommande sans fil est conçu pour permettre la coupe en deux profils : portable et à distance. Le fonctionnement à distance permet à l'opérateur d'être physiquement séparé de l'outil de coupe lors de la coupe. Cela est utile lorsque l'on pense que la ligne coupée est considérée hors tension, mais que l'on ne peut pas le confirmer complètement. Toujours manipuler la ligne comme si elle était sous tension, même si elle est hors tension.

1. Si nécessaire, retirez le verrouillage de déclenchement de la gâchette.
2. Insérer la batterie et cliquer sur la gâchette pour allumer l'outil.
3. Tenir l'outil avec les deux mains pour regarder l'écran DELO sur l'outil. Appuyer sur les boutons sur les côtés de l'écran pour défiler jusqu'à l'écran utilisateur actuel.
4. Appuyer et maintenir les deux boutons enfoncés pour afficher l'écran de sélection de l'utilisateur. Faire défiler les écrans à l'aide du bouton droit pour atteindre le profil souhaité; appui double ou à distance.
5. Appuyer sur la gâchette pour activer un profil sélectionné. Remarque : le profil à distance nécessite des étapes supplémentaires avant que l'outil soit prêt à l'emploi, voir Profil à distance.

## Profil Portable

Avant l'utilisation, confirmer que les lignes à couper sont hors tension

1. Rester à l'écart des pièces mobiles, tester le fonctionnement de l'outil en appuyant deux fois et en tenant la gâchette pour voir si la lame avance. La lame n'avance pas lorsque la gâchette est maintenue si elle est dans le profil à distance sans entrée de la télécommande. La gâchette active un voyant DEL blanc qui restera allumé pendant le fonctionnement et pendant 10 secondes après la libération de la gâchette.
2. Si nécessaire, appuyer et maintenir le bouton de rétractation pour remettre la lame en position de départ. À la fin d'un cycle de coupe complet, la lame se rétractera automatiquement à la position de départ.
3. Ouvrir la tête en tirant la tige de traction.
4. Positionner l'outil de sorte que le câble soit dans la tête de coupe ouverte.
5. Fermer la tête de coupe et introduire complètement la tige de traction. L'insertion partielle de la tige peut causer une mauvaise coupe.
6. Maintenir l'outil stable avec les deux mains et maintenir une position stable. Garder l'outil à un angle de 90 degrés sur le câble (Fig. 3). pour assurer une coupe droite. Ne pas tordre la pièce de travail ou l'outil pendant le fonctionnement de la coupe, cela pourrait entraîner une défaillance de la lame.
7. Appuyer deux fois et maintenir la gâchette jusqu'à ce que la coupe soit terminée. Le processus de coupe peut être interrompu à tout moment en libérant la gâchette et la lame peut être rétractée avec le bouton de rétractation sur l'outil.
8. Retirer la batterie avant de configurer une autre coupe ou de ranger l'outil.

Remarque : l'outil s'éteint automatiquement lorsqu'il reste inactif pendant 15 minutes. Ceci sera indiqué par un compte à rebours sur l'écran ACL. Appuyer sur la gâchette ou sur n'importe quel bouton de l'écran DELO pour réinitialiser le compte à rebours.

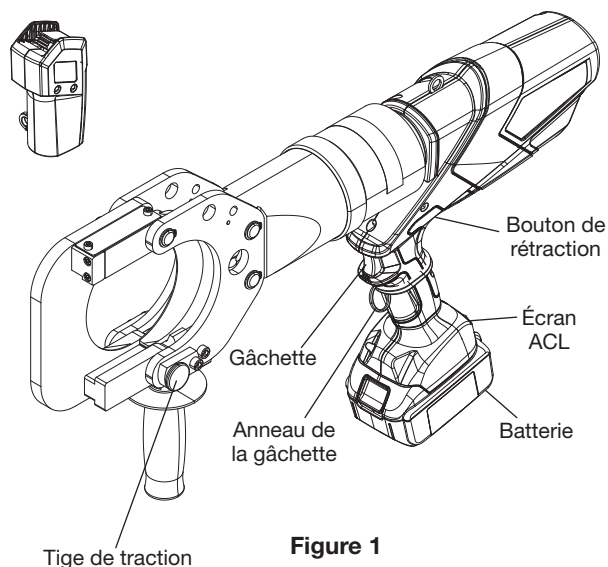
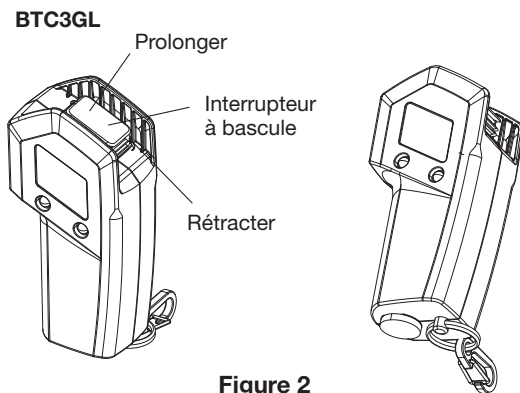


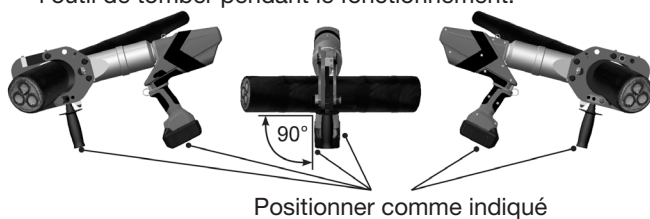
Figure 1

## Commande à Distance



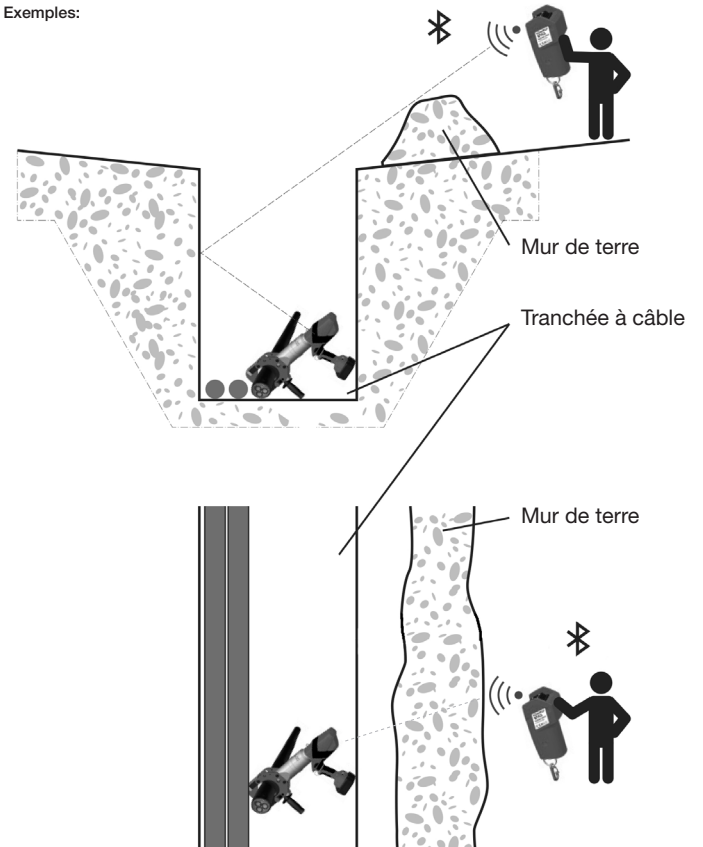
**Figure 2**

1. Après avoir choisi le profil à distance, sécuriser la gâchette de l'outil en position enfoncée en déplaçant l'anneau de la gâchette par-dessus.
2. Appuyer sur l'interrupteur à bascule sur la télécommande, le voyant DEL bleu va commencer à clignoter.
3. Lorsque l'ID de la télécommande apparaît à l'écran, confirmer « Oui » en appuyant sur le bouton sur l'outil à côté. L'ID de la télécommande se trouve au-dessus de l'étiquette de signal de la télécommande.
4. Lorsque l'écran de l'outil invite à terminer l'appariement de la télécommande en appuyant sur l'interrupteur à bascule, le voyant DEL bleu de la télécommande devient fixe une fois la connexion établie.
5. Appuyer deux fois sur Prolonger sur l'interrupteur à bascule pour activer le fonctionnement à distance.
6. Tester l'outil en appuyant à nouveau deux fois sur la télécommande et en maintenant le bouton Prolonger enfoncé sur l'interrupteur à bascule pour faire avancer la lame pour tester la connexion sans fil à l'outil. Le voyant DEL vert sur la télécommande va commencer à clignoter et continue de clignoter pendant que la lame d'outil est en mouvement.
7. Appuyer une fois et maintenir le bouton Rétracter enfoncé sur l'interrupteur à bascule ou appuyer sur le bouton rouge Rétracter sur l'outil pour remettre la lame à la position de départ.
8. Ouvrir la tête en utilisant la tige de traction.
9. Positionner l'outil de sorte que le câble soit dans la tête de coupe ouverte.
10. Fermer la tête de coupe et introduire complètement la tige de traction. L'insertion partielle de la tige peut causer une mauvaise coupe.
11. Placer l'outil à un angle de 90 degrés sur le câble (Fig. 3) pour assurer une coupe droite en s'assurant que la zone est dégagée. Sécuriser l'outil pour limiter le déplacement et la torsion pendant le fonctionnement et pour empêcher l'outil de tomber pendant le fonctionnement.



**Figure 3**

Exemples:



**Figure 4**

12. Appuyer deux fois et maintenir le bouton « Prolonger » enfoncé sur l'interrupteur à bascule, le voyant DEL vert va commencer à clignoter. Lorsque la coupe est terminée, les voyants DEL bleus et verts seront allumés en continu et un son audible sera entendu à partir de la télécommande. Le processus de coupe peut être interrompu à tout moment en libérant la bascule et la lame peut être rétractée en appuyant et en maintenant le bouton « Rétracter » enfoncé sur l'interrupteur à bascule.
13. Une fois que la télécommande signale que la coupe est terminée, se déplacer pour récupérer l'outil en vérifiant la zone autour de l'outil avant de s'en rapprocher. Si l'opérateur était hors de vue pendant qu'il utilisait la télécommande, la zone peut maintenant présenter de nouveaux dangers en raison de la coupure du câble.
14. Retirer la batterie avant de configurer une autre coupe ou de ranger l'outil.

Remarque : l'outil s'arrêtera automatiquement après 30 min d'inactivité lorsqu'il est en mode à distance. Un compte à rebours s'affiche sur l'écran DELO et se réinitialise lorsque la télécommande est utilisée ou déconnectée.

## Entretien

### ⚠ AVERTISSEMENT

- **N'effectuer aucune opération d'entretien autre que celles décrites dans ce manuel.** Cela pourrait entraîner des blessures ou des dommages à l'outil.
- **Ne pas tenter d'ouvrir l'outil.** Il ne contient aucune pièce réparable par l'utilisateur.

- Nettoyer le boîtier avec un chiffon humide et un détergent doux après utilisation. Sécher complètement, retirer la batterie et retirer complètement la lame avant de ranger l'outil.
- Ne pas aiguiser les lames, envoyer l'outil à des fins d'entretien pour remplacer les lames.

## Rangement

Retirer les batteries de l'outil et de la télécommande avant le rangement prolongé. Le cas échéant, recharger les batteries. Se reporter aux instructions fournies avec le chargeur de batterie.

## Réparations

### ⚠ AVERTISSEMENT

- **Le non-respect du calendrier de l'entretien requis risque de compromettre l'outil et d'entraîner des blessures graves.**

Au bout de 3 ans ou de 10 000 cycles, l'outil cessera de fonctionner et l'entretien de l'outil en usine devra être effectué avant que l'outil se remette à fonctionner. L'entretien en usine comprend des inspections générales, le remplacement de l'huile hydraulique diélectrique de l'outil et le test de l'outil par des techniciens formés.

Lorsque la date de l'entretien en usine approche ou arrive, communiquez avec le service clientèle de Greenlee. Des expéditions accélérées sont disponibles.

Utiliser ce calendrier pour déterminer à quel moment effectuer l'entretien en usine.

Calendrier d'entretien de routine	Date d'entretien	Remarques
Date de mise en service		
Date du premier entretien en usine		
Date du deuxième entretien en usine		
Date du troisième entretien en usine		
Date du quatrième entretien en usine		
Date du cinquième entretien en usine		
Date du sixième entretien en usine		
Date du septième entretien en usine		
Date du huitième entretien en usine		
Date du neuvième entretien en usine		
Date du dixième entretien en usine		

## Dépannage

### Avant de commencer

1. S'assurer que la batterie est chargée. Revérifier la batterie au bout de quelques minutes pour s'assurer qu'elle tient la charge.
2. Retirer la batterie de l'outil.
3. Vérifier l'outil, voir Inspection avant utilisation.
4. Remettre la batterie en place et revérifier l'outil.

Consulter les tableaux ci-dessous pour trouver des solutions pour résoudre les problèmes possibles auxquels l'outil peut faire face. Pour faciliter le dépannage, le tableau DEL indicateur d'outil (p. 40) explique les signaux du voyant DEL rouge sur l'outil qui peuvent survenir.

**Tableau de dépannage du fonctionnement de l'outil**

Problème	Cause possible	Solution probable
L'outil ne fonctionne pas.	Corps étrangers au niveau du vérin de l'outil.	Nettoyer l'outil.
	Pièces de l'outil usées ou endommagées.	Envoyer l'outil à des fins d'entretien
Le moteur ne fonctionne pas.	Batterie faible ou déchargée.	Essayer avec une batterie chargée. La batterie qui ne fonctionne pas peut être déchargée ou avoir atteint la fin de sa durée de service.
	Pièces de commutateur cassées.	Envoyer l'outil à des fins d'entretien
Le moteur tourne, mais l'outil n'exécute pas un cycle complet.	Niveau de liquide hydraulique insuffisant.	Envoyer l'outil à des fins d'entretien
	Air dans le circuit hydraulique.	Appuyer sur la gâchette et maintenir le bouton Rétracter enfoncé en même temps pendant environ 10 secondes, essayer de couper à nouveau. En cas d'échec, envoyer l'outil à des fins d'entretien.
	Liquide hydraulique froid.	Appuyer sur la gâchette et maintenir le bouton Rétracter enfoncé en même temps pendant environ 10 secondes pour chauffer le liquide hydraulique.
L'outil perd du liquide hydraulique.	Joint endommagé.	Envoyer l'outil à des fins d'entretien

**Tableau de code d'erreur de l'outil**

Code d'erreur	Signification	Action
1	Surintensité du fusible	Demander un entretien
2	Surintensité du comparateur	Demander un entretien
3	Surchauffe du circuit imprimé	Refroidir l'outil
4	Surchauffe de la batterie	Refroidir la batterie
5	Batterie épuisée; le fonctionnement cesse	Charger la batterie
6	Coupe incorrecte; cycle complété	Demander un entretien
7	Coupe incorrecte; cycle non complété	Demander un entretien
8	Batterie faible	Charger la batterie
9	Batterie vide	Charger la batterie
10	Batterie d'horloge en temps réel faible	Demander un entretien
11	Outil désactivé	Demander un entretien
12	Entretien requis	Demander un entretien
13	Horloge en temps réel introuvable	1. Réinsérer la batterie 2. Demander un entretien
14	Unité Bluetooth® introuvable	1. Réinsérer la batterie 2. Demander un entretien
15	[Non utilisé]	
16	Capteur de pression introuvable	Demander un entretien
17	Pression dépassée	Demander un entretien
18	Température de la batterie trop faible	Batterie chaude
21	Batterie de télécommande faible	Changer la batterie.

## Élimination

Certaines parties de ces outils contiennent des matériaux précieux et peuvent être recyclées. Il existe des entreprises spécialisées dans le recyclage trouvables au niveau local. Éliminer les composants conformément à toutes les réglementations applicables. Communiquez avec votre autorité locale de gestion des déchets pour plus d'informations.

## Déclarations Obligatoires

### **Modèle X—ID FCC : RFR-S50; IC ID : 4957A-S50**

#### **Exigences américaines :**

*Partie responsable : Greenlee Tools, Inc. Rockford, IL 61109, États-Unis*

*Remarque : Ce matériel a été contrôlé et déclaré conforme aux limites fixées pour les dispositifs numériques de Classe A, en vertu de la partie 15 de la réglementation FCC. Ces limites sont destinées à offrir une protection raisonnable contre les brouillages préjudiciables lorsque le matériel est utilisé dans un environnement commercial. Ce matériel produit, utilise et peut rayonner de l'énergie haute fréquence et, s'il n'est pas installé et utilisé conformément au mode d'emploi, peut causer un brouillage préjudiciable aux communications radio. L'utilisation de ce matériel dans une zone résidentielle est susceptible de causer un brouillage préjudiciable, auquel cas l'utilisateur devra corriger le brouillage à ses propres frais.*

*Ce dispositif respecte les conditions d'exclusion du test du débit d'absorption spécifique (SAR) relatif à l'exposition à la radiofréquence (RF) s'appliquant aux dispositifs portatifs, si une distance minimale est observée. Toutefois, le dispositif doit être utilisé de sorte que, lors de son fonctionnement normal, le risque de contact avec l'être humain soit réduit au maximum.*

#### **Exigences canadiennes :**

*Cet appareil est conforme aux normes RSS d'exemption de licence d'Industrie Canada. L'exploitation est autorisée aux deux conditions suivantes :*

- (1) l'appareil ne doit pas produire de brouillage;*
- (2) l'utilisateur de l'appareil doit accepter tout brouillage radioélectrique subi, même si le brouillage est susceptible d'en compromettre le fonctionnement.*

*Le présent appareil est conforme aux CNR d'Industrie Canada applicables aux appareils radio exempts de licence. L'exploitation est autorisée aux deux conditions suivantes :*

- 1) l'appareil ne doit pas produire de brouillage;*
- 2) l'utilisateur de l'appareil doit accepter tout brouillage radioélectrique subi, même si le brouillage est susceptible d'en compromettre le fonctionnement.*

## Garantie

L'outil ESG105LXR est couvert par la garantie limitée standard Greenlee pour une période de 7 ans.

Rendez-vous sur notre site Web pour consulter la garantie limitée standard de Greenlee.

Pour toute réclamation au titre de la garantie et pour le service après-vente de l'usine, veuillez communiquer avec le service à la clientèle de Greenlee.

Rappel : La demande de garantie est nulle si l'outil est ouvert par une personne non autorisée à entretenir cet outil.