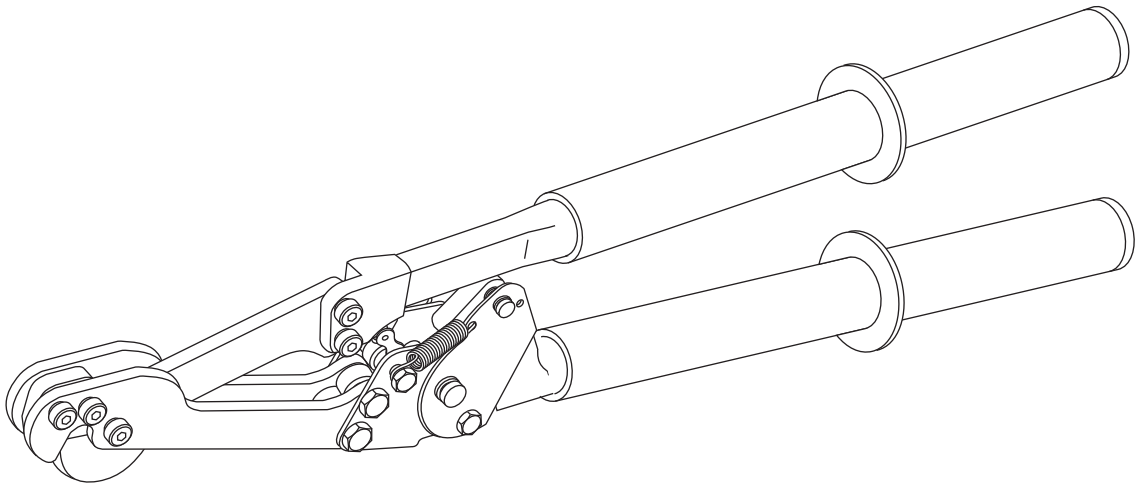


# SERVICE BULLETIN



## **50035487**

# **Blade Replacement Kit**

## **for 758 Heavy-duty Ratchet Guy Wire Cutter**

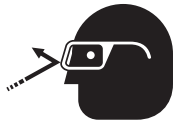


**Read and understand** all of the instructions and safety information in this manual before operating or servicing this tool.

Register this product at [www.greenlee.com](http://www.greenlee.com)

## Introduction

This service bulletin describes how to replace the blades on the Greenlee 758 Guy Wire Cable Cutter. It should be used in conjunction with the instruction manual for this cutter.

	<h3>⚠ WARNING</h3>
	<p>Wear eye protection when operating or servicing this tool.</p> <p>Failure to wear eye protection could result in serious eye injury from flying debris.</p>

<h2>IMPORTANT</h2>
<p>The cutting blade and insert blade are a matched set. Replace both blades at the same time.</p>

## KEEP THIS MANUAL

For more detailed parts information, refer to the instruction manual for this tool: 99921715 (IM 1267).

## Replacing the Blades

### To release tension on chain drive:

1. Clamp the handle assembly in a vise so that the handles are horizontal.
2. Spread the handles apart to extend the chain drive.
3. Place a screwdriver or other device through the chain about three links away from the handle. This removes tension on the chain and makes it easier to change blades. Make sure the screwdriver will not slip out during the blade changing procedure.

### To remove and replace cutting blade:

1. Remove the pivot bolt, washers, and nut.
2. Remove the cutting blade shoulder bolts, washers, and nuts.
3. Slide the old cutting blade from between the holder blades.
4. Slide in the new cutting blade.
5. Reinstall the hardware. The pivot bolt should be snug but turn freely in the assembly.

### To remove and replace insert blade and blade holders:

1. Remove the pivot bolt, washers, and nut.
2. Remove the insert blade shoulder bolts, washers, and nuts.
3. Slide the old insert blade from between the holder blades.
4. Remove and replace blade holders by removing bolts.
5. Slide in the new insert blade.
6. Reinstall the hardware.

