

INSTRUCTION MANUAL MANUAL DE INSTRUCCIONES MANUEL D'INSTRUCTIONS



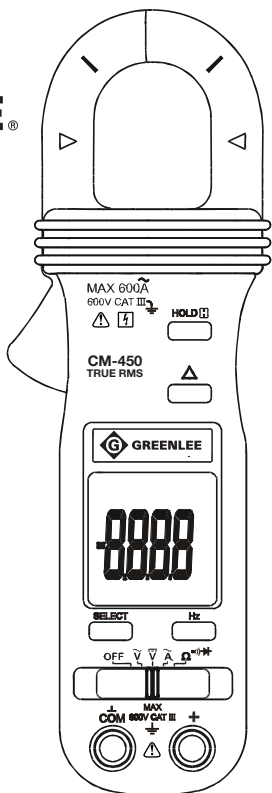
GREENLEE®

CM-450

**Digital
Clamp-on
Meter**

**Medidor digital
con pinza**

**Contrôleur
numérique
à pince**



Read and understand all of the instructions and safety information in this manual before operating or servicing this tool.

Lea y entienda todas las instrucciones y la información sobre seguridad que aparecen en este manual, antes de manejar estas herramientas o darles mantenimiento.

Lire attentivement et bien comprendre toutes les instructions et les informations sur la sécurité de ce manuel avant d'utiliser ou de procéder à l'entretien de cet outil.

Description

The Greenlee CM-450 Digital Clamp-on Meter is a hand-held testing device capable of measuring up to 600 amps of alternating current, in addition to measuring AC or DC voltage, frequency, and resistance. It also checks diodes and verifies continuity. The CM-450 is a true RMS-reading meter.

Safety

Safety is essential in the use and maintenance of Greenlee tools and equipment. This instruction manual and any markings on the tool provide information for avoiding hazards and unsafe practices related to the use of this tool. Observe all of the safety information provided.

Purpose of This Manual

This instruction manual is intended to familiarize all personnel with the safe operation and maintenance procedures for the Greenlee CM-450 Digital Clamp-on Meter.

Keep this manual available to all personnel.

Replacement manuals are available upon request at no charge at www.greenlee.com.



Do not discard this product or throw away!

For recycling information, go to www.greenlee.com.

Lifetime Limited Warranty

Greenlee Tools, Inc. warrants to the original purchaser of these goods for use that these products will be free from defects in workmanship and material for their useful life, excepting normal wear and abuse. This warranty is subject to the same terms and conditions contained in Greenlee Tools, Inc.'s standard one-year limited warranty.

For all Test Instrument repairs, contact Customer Service at 800-435-0786 and request a Return Authorization.

For items not covered under warranty (such as items dropped, abused, etc.), a repair cost quote is available upon request.

Note: Prior to returning any test instrument, please check replaceable batteries or make sure the battery is at full charge.

All specifications are nominal and may change as design improvements occur. Greenlee Tools, Inc. shall not be liable for damages resulting from misapplication or misuse of its products.

® Registered: The color green for electrical test instruments is a registered trademark of Greenlee Tools, Inc.

KEEP THIS MANUAL

Important Safety Information



SAFETY ALERT SYMBOL

This symbol is used to call your attention to hazards or unsafe practices which could result in an injury or property damage. The signal word, defined below, indicates the severity of the hazard. The message after the signal word provides information for preventing or avoiding the hazard.

⚠ DANGER

Immediate hazards which, if not avoided, **WILL** result in severe injury or death.

⚠ WARNING

Hazards which, if not avoided, **COULD** result in severe injury or death.

⚠ CAUTION

Hazards or unsafe practices which, if not avoided, **MAY** result in injury or property damage.



⚠ WARNING

Read and understand this material before operating or servicing this equipment. Failure to understand how to safely operate this tool could result in an accident causing serious injury or death.



⚠ WARNING

Electric shock hazard:
Contact with live circuits could result in severe injury or death.

Important Safety Information

WARNING

Electric shock and fire hazard:

- Do not expose this unit to rain or moisture.
- Do not use the unit if it is wet or damaged.
- Only use the test leads provided with the equipment or UL Listed Probe Assembly with same rating or better.
- Inspect the test leads or accessory before use. They must be clean and dry, and the insulation must be in good condition. Do not use the test lead if the contrasting inner layer of insulation is visible.
- Use this unit for the manufacturer's intended purpose only, as described in this manual. Any other use can impair the protection provided by the unit.

Failure to observe these warnings could result in severe injury or death.

WARNING

Electric shock hazard:

- Do not operate with the case open.
- Before opening the case, remove the test leads (or jaw) from the circuit and shut off the unit.

Failure to observe these warnings could result in severe injury or death.

WARNING

Electric shock hazard:

- Using this unit near equipment that generates electromagnetic interference can result in unstable or inaccurate readings.
- Unless measuring voltage or current, shut off and lock out power. Make sure that all capacitors are discharged. Voltage must not be present.

Failure to observe these warnings could result in severe injury or death.

Important Safety Information

CAUTION

Electric shock hazard:

- Do not attempt to repair this unit. It contains no user-serviceable parts.
- Do not expose the unit to extremes in temperature or high humidity. Refer to “Specifications.”

Failure to observe these precautions may result in injury and can damage the unit.

CAUTION

Electric shock hazard:

Do not change the measurement function while the test leads are connected to a component or circuit.

Failure to observe this precaution may result in injury and can damage the unit.

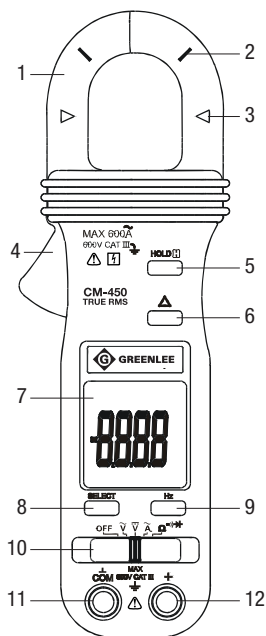
Statement of Conformity

Greenlee Tools, Inc. is certified in accordance with ISO 9001:2008 for our Quality Management Systems.






The instrument enclosed has been checked and/or calibrated using equipment that is traceable to the National Institute for Standards and Technology (NIST).

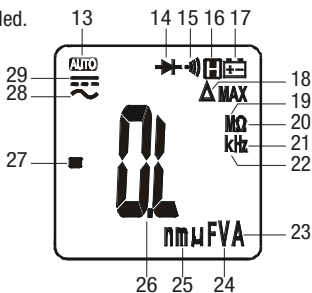
Identification

1. Jaw
2. Position error marks
3. Jaw center marks
4. Lever
5. Hold button
6. Relative measurement button
7. Display
8. Select button
9. Frequency button
10. Selector switch
11. Negative, common (COM), or ground input terminal
12. Volts or resistance ($V\Omega$) input terminal






Display Icons

13. **AUTO** Auto ranging is enabled.
14.  Diode test
15.  Continuity mode
16. **H** Hold function is enabled.
17.  Low battery indicator
18. Δ Relative measurement is enabled.
19. **M** Mega (10^6)
20. Ω Ohms
21. **Hz** Hertz
22. **k** kilo (10^3)
23. **A** Amps
24. **V** Volts
25. **m** milli (10^{-3})
26. **O.L.** Overload indicator
27. **-** Negative polarity indicator
28.  AC measurement is selected.
29.  DC measurement is selected.



Note: Unidentified icons are not used on this model.

Symbols on the Unit

-  Warning—Read the instruction manual
-  Application around or removal from hazardous live conductors is permitted.
-  Double insulation

Using the Features

Selector Switch

- Slide switch to desired mode of operation:

 AC voltage

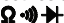
 DC voltage

 AC current

 ohms/continuity/diode

- Return switch to **OFF** position when not in use.

Select Button (SELECT)


- Momentarily press to select resistance, continuity, or diode test when the Selector switch is set to .

Frequency Button (Hz)

- Press to measure frequency.

*Note: The sensitivity of the frequency measurement function varies with the measurement range. To automatically select a sensitivity level, measure the voltage level first, and then press **Hz**. Pressing **Hz** before making a measurement may give higher sensitivity. Reading may be zero when sensitivity is too low. Electrical noise may cause unstable readings.*

Hold Button (HOLD)

- Press momentarily to hold the present value on the display.  will appear on the display.
- Press again to return to normal mode.

Relative Measurement Button (Δ)

This feature finds the difference between two measurements.

- While taking a measurement, press Δ to set the display to zero. Δ will appear on the display.
- Take the second measurement. The value on the display will be the difference between the two measurements.
- Press again to exit this mode.

Auto Power Off

To extend battery life, the meter will shut itself off after approximately 30 minutes of inactivity. To restore power, press any button.

AC Measurement


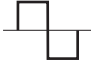


AC measurements are usually displayed as RMS (root mean square) values. The RMS value is equal to the value of a DC waveform, which would deliver the same power if it replaced the time-varying waveform. Two AC measurement methods are *average-responding RMS calibrated* and *true RMS-reading*.

The average-responding RMS calibrated method takes the average value of the input signal after full wave rectification, multiplies it by 1.11, and displays the result. This method is accurate if the input signal is a pure sine wave.

The true RMS-reading method uses internal circuitry to read the true RMS value. This method is accurate, within the specified crest factor limitations, whether the input signal is a pure sine wave, square wave, triangle wave, half wave, or signal with harmonics. The ability to read true RMS provides much more measurement versatility. The Greenlee CM-450 is a true RMS meter.


The Waveforms and Crest Factors table shows some typical AC signals and their RMS values.

Waveforms and Crest Factors

Waveform				
RMS Value	100	100	100	100
Average Value	90	100	87	64
Crest Factor* (ξ)	1.414	1	1.73	2

* The crest factor is the ratio of the peak value to the RMS value; it is represented by the Greek letter ξ .

Operation

	<h3>⚠ WARNING</h3>
	<p>Electric shock hazard: Contact with live circuits could result in severe injury or death.</p>

- Set the Selector switch according to the Settings Table. Momentarily press the **SELECT** button to select mode.
- Refer to “Typical Measurements” for specific measurement instructions.
- Test the unit on a known functioning circuit or component.
 - If the unit does not function as expected on a known functioning circuit, replace the battery.
 - If the unit still does not function as expected, call Greenlee for technical assistance at 800-435-0786.
- Take the reading from the circuit or component to be tested.

Settings Table

To measure this value ...	Set the Selector switch to this symbol ...	This icon will appear on the display ...	Connect red lead to ...	Connect black lead to ...
AC Current* (600 A max.)	~A	~ and A	N/A	N/A
Frequency of a current (600 A max.)	~A and press Hz	Hz	N/A	N/A
Voltage (600 V max.)	~V	~ and V	+	COM
	-V	- and V		
Frequency of a voltage signal	~V or -V and press Hz	Hz	+	COM
Resistance	Ω • 🔊 ➔	MΩ	+	COM
Continuity**	Ω • 🔊 ➔ and press SELECT	Ω • 🔊	+	COM
Diode	Ω • 🔊 ➔ and press SELECT 2 times	➔ and V	+	COM

* AC current measurements are made using the jaw.

** Tone indicates continuity. The threshold is between 5 Ω and 120 Ω.

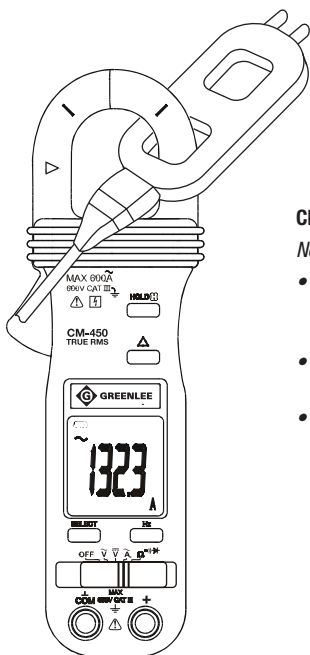
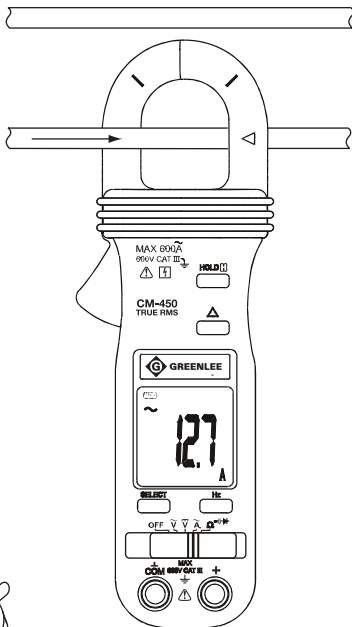
Typical Measurements

AC Amps

Clamp Around Wire

Notes:

- Clamp the jaw around one conductor only.
- Close the jaw completely to ensure accurate measurement.
- Center the wire in the jaw for highest accuracy.



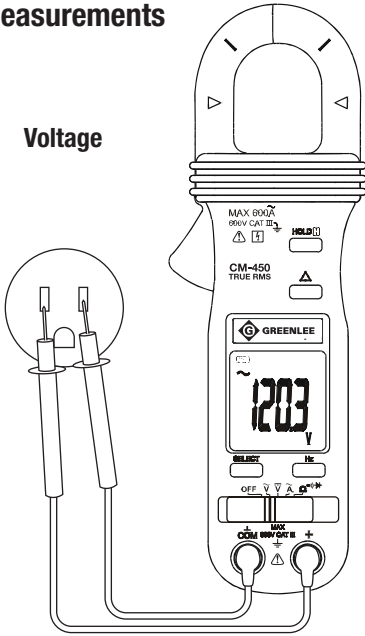
Clamp Around Line Splitter

Notes:

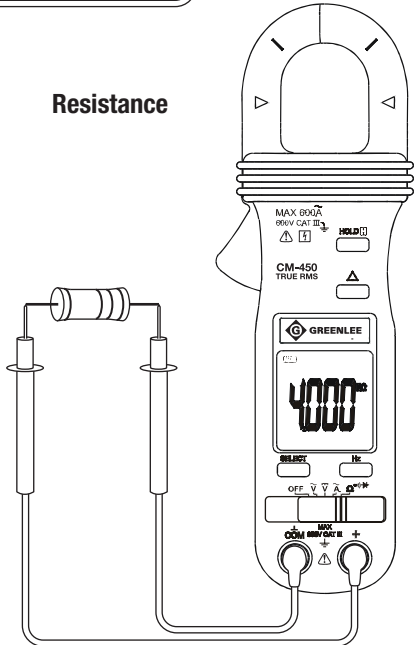
- The Greenlee 93-30 Line Splitter is divided. One section renders amps; the other renders amps multiplied by 10.
- Close the jaw completely to ensure accurate measurement.
- Center the line splitter in the jaw for highest accuracy.

Typical Measurements

Voltage

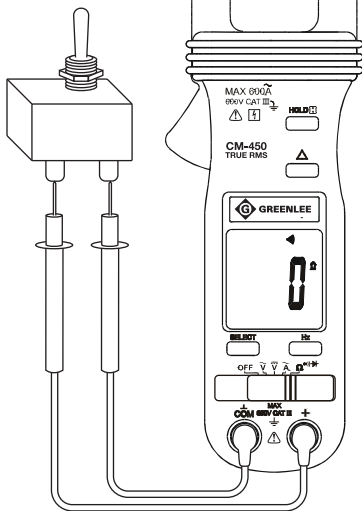


Resistance

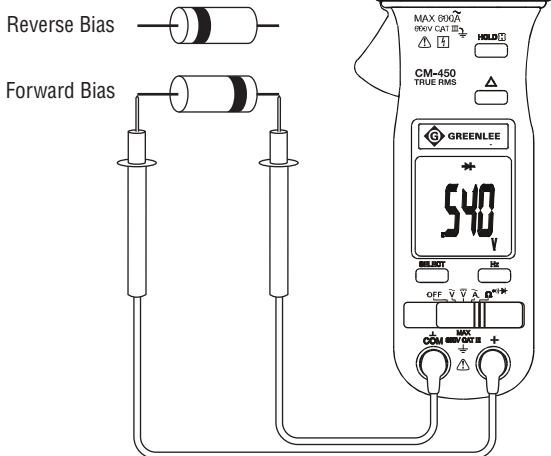


Typical Measurements

Continuity



Diode Test



Accuracy

Refer to “Specifications” for operating conditions and temperature coefficient.

Accuracy is specified as follows: \pm (a percentage of the reading + a fixed amount) at 23 °C \pm 5 °C (73.4 °F \pm 9 °F), 0% to 75% relative humidity.

True RMS readings: Voltage is specified from 5% to 100% of the range, and AC current is specified from 10% to 100% of the range, unless otherwise specified. Frequency must be within the specified bandwidth for non-sinusoidal waveforms. Crest factors are as follows:

- Crest Factor < 1.75 at full scale
- Crest Factor < 3.5 at half scale

AC Current

Measurement Range	Accuracy	Frequency Range
0.40 to 40.00 A	$\pm (1.5\% + 0.08 \text{ A})$	50 to 60 Hz
40.0 to 400.0 A	$\pm (1.5\% + 0.8 \text{ A})$	
400 to 600 A	$\pm (1.5\% + 8 \text{ A})$	

- Adjacent conductor influence < 0.05 A/A
- Add 2% if the conductor is beyond the position error marks.
- Multiply the fixed error amount times 2 below 10% of range.

AC Voltage

Measurement Range	Accuracy	Frequency Range	Input Impedance
4.000 V	$\pm (1.5\% + 0.005 \text{ V})$	50 to 500 Hz	10 M Ω // 30 pF nom.
40.00 V	$\pm (1.5\% + 0.05 \text{ V})$		
400.0 V	$\pm (1.5\% + 0.5 \text{ V})$		
600 V	$\pm (2.0\% + 5 \text{ V})$		

DC Voltage

Measurement Range	Accuracy	Input Impedance
400.0 mV	$\pm (0.3\% + 0.4 \text{ mV})$	1000 M Ω *
4.000 V	$\pm (0.5\% + 0.003 \text{ V})$	10 M Ω
40.00 V	$\pm (0.5\% + 0.03 \text{ V})$	
400.0 V	$\pm (0.5\% + 0.3 \text{ V})$	
600 V	$\pm (1.0\% + 4 \text{ V})$	

* The high impedance on this range will produce significant non-zero readings when the test leads are disconnected from a circuit.

Accuracy (con't)

Resistance

Measurement Range	Accuracy
400.0 Ω	$\pm (0.8\% + 0.8 \Omega)$
4.000 k Ω	$\pm (0.6\% + 0.004 \text{ k}\Omega)$
40.00 k Ω	$\pm (0.6\% + 0.04 \text{ k}\Omega)$
400.0 k Ω	$\pm (0.6\% + 0.4 \text{ k}\Omega)$
4.000 M Ω	$\pm (1.0\% + 0.004 \text{ M}\Omega)$
40.00 M Ω	$\pm (2.0\% + 0.04 \text{ M}\Omega)$

Diode Tester

Test Current	Open Circuit Voltage
0.25 mA typical	1.6 VDC maximum

Frequency

Function	Sensitivity (Sine RMS)	Range
400.0 mV	350 mV	10 Hz to 2 kHz
4.000 V	1 V	10 Hz to 5 kHz
40.00 V	32 V	10 Hz to 100 kHz
400.0 V	100 V	10 Hz to 10 kHz
600 V	500 V	10 Hz to 5 kHz
400.0 A	60 A	40 Hz to 400 Hz

Accuracy of Frequency Ranges

Display Range	Accuracy
5.000 Hz	$\pm (0.5\% + 0.004 \text{ Hz})$
50.00 Hz	$\pm (0.5\% + 0.04 \text{ Hz})$
500.0 Hz	$\pm (0.5\% + 0.4 \text{ Hz})$
5.000 kHz	$\pm (0.5\% + 0.004 \text{ kHz})$
50.00 kHz	$\pm (0.5\% + 0.04 \text{ kHz})$
500.0 kHz	$\pm (0.5\% + 0.4 \text{ kHz})$

Specifications

Display: 3-3/4-digit LCD (4000 maximum reading)

Sampling Rate: 3 per second

Overrange Indication: "OL" appears on the display

Maximum Conductor Diameter: 26 mm (1.02")

Measurement Category: Category III, 600 V

Temperature Coefficient: 0.15 x (specified accuracy) per °C below 18 °C or above 28 °C

Operating Conditions:

At 0% ≤ 80% RH: 5 °C to 31 °C (41 °F to 86 °F)

Decreasing linearly to 50% RH at 40 °C (104 °F)

Altitude: 2000 m (6500') maximum

Indoor use only

Storage Conditions: -20 °C to 60 °C (-4 °F to 140° F), 0% to 80% relative humidity with battery removed

Pollution Degree: 2

Battery: 3 V standard button battery (IEC-CR2032; ANSI-NEDA-54004LC)

CENELEC Directives: The instruments conform to CENELEC Low-voltage directive 2006/95/EC and Electromagnetic compatibility directive 2004/108/EC

Safety: Double insulation to IEC/UL/EN61010-1 Ed. 3.0, IEC/EN61010-2-032 Ed. 3.0, IEC/EN61010-2-033 Ed. 1.0, IEC/UL/EN61010-031 Ed. 1.1 and CAN/CSA-C22.2 No. 61010-1-12 Ed. 3.0

All Terminals: CAT III 600 V AC/DC

Measurement Categories

These definitions were derived from the international safety standard for insulation coordination as it applies to measurement, control, and laboratory equipment. These measurement categories are explained in more detail by the International Electrotechnical Commission; refer to either of their publications: IEC 61010-1 or IEC 60664.

Measurement Category I: Signal level. Electronic and telecommunication equipment, or parts thereof. Some examples include transient-protected electronic circuits inside photocopiers and modems.

Measurement Category II: Local level. Appliances, portable equipment, and the circuits they are plugged into. Some examples include light fixtures, televisions, and long branch circuits.

Measurement Category III: Distribution level. Permanently installed machines and the circuits they are hard-wired to. Some examples include conveyor systems and the main circuit breaker panels of a building's electrical system.

Measurement Category IV: Primary supply level. Overhead lines and other cable systems. Some examples include cables, meters, transformers, and other exterior equipment owned by the power utility.

Maintenance

CAUTION

Electric shock hazard:

- Do not attempt to repair this unit. It contains no user-serviceable parts.
- Do not expose the unit to extremes in temperature or high humidity. Refer to “Specifications.”

Failure to observe these precautions may result in injury and can damage the unit.

Battery Replacement

WARNING

Electric shock hazard:

- Do not operate with the case open.
- Before opening the case, remove the test leads (or jaw) from the circuit and shut off the unit.

Failure to observe these warnings could result in severe injury or death.

1. Disconnect the unit from the circuit. Turn the unit **OFF**.
2. Remove the screws from the back cover.
3. Remove the back cover.
4. Replace the battery (observe polarity).
5. Replace the back cover and the screws.

Cleaning

Periodically wipe the case with a damp cloth and mild detergent; do not use abrasives or solvents.

Descripción

El Medidor digital con pinza modelo CM-450 de Greenlee es un instrumento de verificación capaz de medir hasta 600 amperios de corriente alterna, además de medir tensión alterna o continua, frecuencia y resistencia. Esta unidad es de bolsillo y cabe perfectamente en la palma de la mano. También sirve para verificar diodos y continuidad. El modelo CM-450 es un multímetro de lectura de valores eficaces reales.

Acerca de la seguridad

Es fundamental observar métodos seguros al utilizar y dar mantenimiento a las herramientas y equipo Greenlee. Este manual de instrucciones y todas las marcas que ostenta la herramienta le ofrecen la información necesaria para evitar riesgos y hábitos poco seguros relacionados con su uso. Siga toda la información sobre seguridad que se proporciona.

Propósito de este manual

Este manual de instrucciones tiene como propósito familiarizar a todo el personal con los procedimientos de operación y mantenimiento seguros para el Medidor digital con pinza, modelo CM-450 de Greenlee.

Manténgalo siempre al alcance de todo el personal.

Puede obtener copias adicionales de manera gratuita, previa solicitud en www.greenlee.com.



¡No deseché ni descarte este producto!

Para información sobre reciclaje, visite www.greenlee.com.

Garantía limitada válida durante la vida útil del producto

Greenlee Tools, Inc. le garantiza al comprador original de estos bienes de uso, que los mismos estarán libres de defectos de materiales y fabricación durante su vida útil, excepto en el caso de que sean maltratados o hayan sufrido el deterioro normal. Esta garantía está sujeta a los mismos términos y condiciones de la garantía estándar limitada válida por un año, otorgada por Greenlee Tools, Inc.

Para reparaciones de todo instrumento de verificación, comuníquese con el Departamento de Servicio al Cliente al 800-435-0786 y solicite una autorización de devolución.

Puede obtener, previa solicitud, una cotización de precios de reparación para aquellos artículos que no están cubiertos bajo esta garantía (los que se han dejado caer o han sido maltratados).

Aviso: Antes de devolver un instrumento de verificación, revise si las baterías están bajas y es necesario reemplazarlas.

Todas las especificaciones son nominales y pueden cambiar conforme tengan lugar mejoras de diseño. Greenlee Tools, Inc. no se hace responsable de los daños que puedan surgir de la mala aplicación o mal uso de sus productos.

® Registrado: El color verde para instrumentos de verificación eléctricos es una marca registrada de Greenlee Tools, Inc.

CONSERVE ESTE MANUAL

Importante Información sobre Seguridad



SÍMBOLO DE ALERTA SOBRE SEGURIDAD

Este símbolo se utiliza para indicar un riesgo o práctica poco segura que podría ocasionar lesiones o daños materiales. Cada uno de los siguientes términos denota la gravedad del riesgo. El mensaje que sigue a dichos términos le indica cómo puede evitar o prevenir ese riesgo.

PELIGRO

Peligros inmediatos que, de no evitarse, OCASIONARÁN graves lesiones o incluso la muerte.

ADVERTENCIA

Peligros que, de no evitarse, PODRÍAN OCASIONAR graves lesiones o incluso la muerte.

ATENCIÓN

Peligro o prácticas peligrosas que, de no evitarse, PUEDEN OCASIONAR lesiones o daños materiales.



ADVERTENCIA

Lea y entienda este documento antes de manejar esta herramienta o darle mantenimiento. Utilizarla sin comprender cómo manejarla de manera segura podría ocasionar un accidente, y como resultado de éste, graves lesiones o incluso la muerte.



ADVERTENCIA

Peligro de electrocución:
El contacto con circuitos activados podría ocasionar graves lesiones o incluso la muerte.

Importante Información sobre Seguridad

ADVERTENCIA

Peligro de electrocución e incendio:

- No exponga esta unidad ni a la lluvia ni a la humedad.
- No utilice esta unidad si se encuentra mojada o dañada.
- Utilice solo los conductores de prueba proporcionados con el equipo o un conjunto de sonda con certificación UL con una calificación igual o superior.
- Revise minuciosamente los cables de prueba o el accesorio, antes de utilizarlos. Deberán estar limpios y secos, y su forro aislante deberá hallarse en buenas condiciones. No utilice el conductor de prueba si la capa interna de aislamiento en contraste resulta visible.
- Utilícela únicamente para el propósito para el que ha sido diseñada por el fabricante, tal como se describe en este manual. Cualquier otro uso puede menoscabar la protección proporcionada por la unidad.

De no observarse estas advertencias podrían sufrirse lesiones graves o incluso la muerte.

ADVERTENCIA

Peligro de electrocución:

- No haga funcionar esta unidad con la caja abierta.
- Antes de abrir la caja, retire del circuito los cables de prueba (o la pinza), y apague la unidad.

De no observarse estas advertencias podrían sufrirse lesiones graves o incluso la muerte.

ADVERTENCIA

Peligro de electrocución:

- Al utilizar esta unidad cerca de equipo que genere interferencia electromagnética quizá se obtenga una lectura inexacta e inestable.
- A menos que vaya a medir tensión o corriente, apague y bloquee la energía. Asegúrese que todos los condensadores estén totalmente sin carga. No debe haber tensión alguna.

De no observarse estas advertencias podrían sufrirse lesiones graves o incluso la muerte.

Importante Información sobre Seguridad

ATENCIÓN

Peligro de electrocución:

- No intente reparar esta unidad, ya que contiene partes que deben recibir mantenimiento por parte de un profesional.
- No exponga la unidad a ambientes de temperatura extrema o altos niveles de humedad. Consulte la sección “Especificaciones”.

De no observarse estas precauciones podrían sufrirse lesiones o daños a la unidad.

ATENCIÓN

Peligro de electrocución:

No cambie la función de medición mientras los cables de prueba estén conectados a un componente o circuito.

De no observarse esta advertencia podrían sufrirse lesiones o daños a la unidad.

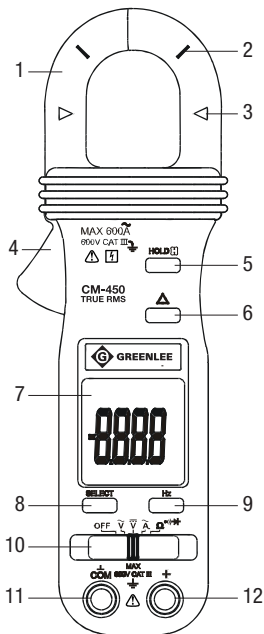
Certificado de Conformidad

Greenlee Tools, Inc. cuenta con certificación conforme a ISO 9001:2008 para nuestros Sistemas de Gerencia de Calidad.

El instrumento provisto ha sido inspeccionado y/o calibrado mediante el uso de equipo reconocido por el Instituto Nacional de Normas y Tecnologías (National Institute for Standards and Technology [NIST]).

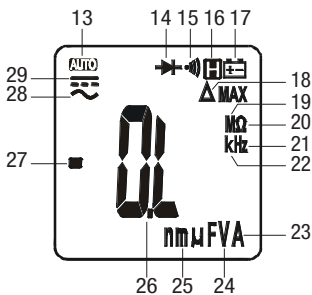
Identificación

1. Pinza
2. Marcas de error de posición
3. Marcas de centrado de la pinza
4. Palanca
5. Botón "Hold" (Retención de datos en pantalla)
6. Botón de medición relativa
7. Pantalla
8. Botón de selección
9. Botón de frecuencia
10. Interruptor de selección
11. Terminal de entrada a tierra, común (COM), o negativa
12. Terminal de entrada (VΩ) de voltios o resistencia



Iconos de la pantalla

13. **AUTO** Se activa la selección automática de escala.
14. **→|** Verificación de diodos
15. **•|)** Modo de continuidad
16. **H** Se activa la función "Hold" (retención de datos en pantalla).
17. **🔋** Indicador de batería baja
18. **Δ** Se activa el modo de medición relativa.
19. **M** Mega (10^6)
20. **Ω** Ohmios
21. **Hz** Hertzios
22. **k** kilo (10^3)
23. **A** Amps
24. **V** Volts
25. **m** mili (10^{-3})
26. **O.L.** Indicador de sobrecarga
27. **-** Indicador de polaridad negativa
28. **~** Se selecciona medición de CA.
29. **≡** Se selecciona medición de CC.



Aviso: Los iconos sin identificar no se utilizan en este modelo.

Símbolos en la unidad

- Advertencia — Lea el manual de instrucciones
- Se permite la aplicación o el retiro de la unidad alrededor de conductores energizados peligrosos.
- Doble forro aislante

Cómo utilizar las distintas funciones

Interruptor de selección

- Mueva el interruptor al modo de operación deseado:

 Voltaje de CA

 Voltaje de CC

 Corriente alterna

 ohmios/continuidad/diodo

- Lleve el interruptor nuevamente a la posición **OFF** (apagado) cuando no lo utilice.

Botón de selección (SELECT)


- Oprima momentáneamente para seleccionar prueba de diodo, continuidad o resistencia cuando se ajuste el interruptor de selección en .

Botón de frecuencia (Hz)

- Oprima para efectuar mediciones de frecuencia.

*Aviso: La sensibilidad de la función de medición de frecuencia varía según la gama de medición. Para seleccionar automáticamente un nivel de sensibilidad, mida primero el nivel de tensión y enseguida oprima **Hz**. Oprimir **Hz** antes de efectuar una medición podría arrojar una sensibilidad más alta. La lectura podría ser cero si la sensibilidad es demasiado baja. El ruido eléctrico podría producir lecturas inestables.*

Botón retener (HOLD)

- Oprima momentáneamente para retener en pantalla el valor que aparece en ese momento. Enseguida aparecerá  en la pantalla.
- Oprímalo nuevamente para volver al modo normal.

Botón de medición relativa (Δ)

Esta función le brinda la diferencia entre dos mediciones.

- Mientras efectúa una medición, oprima Δ para poner la pantalla en ceros. Δ aparecerá en la pantalla.
- Efectúe la segunda medición. El valor que aparezca en la pantalla equivaldrá a la diferencia entre ambas mediciones.
- Oprima nuevamente para salir de este modo.

Apagado automático

A fin de prolongar la vida útil de la batería, el multímetro se apagará por sí solo después de aproximadamente 30 minutos de inactividad. Para restaurar la energía, oprima cualquier botón.

Medición de corriente alterna





Las mediciones de corriente alterna generalmente se muestran como valores eficaces (RMS o root mean squared). El valor eficaz equivale al valor de una forma de onda de CC, la cual brinda la misma potencia que si reemplazara la forma de onda variable con el tiempo. Existen dos métodos de medición de corriente alterna: *calibrados para responder al valor eficaz medio y a una lectura de valores eficaces reales*.

El método calibrado para responder al valor eficaz medio toma el valor medio de la señal de entrada luego de una rectificación total de onda, la multiplica por 1,11 y muestra el resultado. El resultado es exacto si la señal de entrada es una onda sinusoidal pura.

El método de lectura de valores eficaces reales utiliza un circuito interno para leer el valor eficaz real. Este método es exacto, dentro de las limitaciones de factor de cresta especificadas, independientemente del tipo de señal de entrada, ya sea una onda sinusoidal pura, rectangular, triangular, media onda o señal con armónicas. La capacidad para leer valores eficaces reales brinda una mayor versatilidad de medición. La unidad modelo CM-450 de Greenlee es un medidor de valores eficaces reales.


La tabla de Formas de onda y Factores de cresta muestra algunas de las señales de CA y sus valores eficaces reales más comunes.

Formas de onda y Factores de cresta

Forma de onda				
Valor RMS	100	100	100	100
Valor promedio	90	100	87	64
Factor de cresta* (ξ)	1,414	1	1,73	2




* El factor de cresta es el cociente de un valor máximo en relación con el valor eficaz; está representado por la letra griega ξ.

Operación

	<h3>⚠ ADVERTENCIA</h3>
	<p>Peligro de electrocución:</p> <p>El contacto con circuitos activados podría ocasionar graves lesiones o incluso la muerte.</p>

- Coloque el interruptor de selección de acuerdo con la Tabla de valores. Oprima momentáneamente el botón **SELECT** (selección) para seleccionar el modo.
- Consulte la sección “Mediciones más comunes” en relación con las instrucciones específicas para cada tipo de medición.
- Pruebe la unidad en un circuito o componente que se sabe está funcionando perfectamente.
 - Si la unidad no funciona como debería en un circuito que se sabe está funcionando perfectamente, reemplace la batería.
 - Si la unidad aún sigue sin funcionar como debería, llame a Greenlee al 800-435-0786 para obtener asistencia técnica.
- Anote la lectura del circuito o componente que se está verificando.

Tabla de valores

Para medir este valor ...	coloque el interruptor de selección en este símbolo ...	Enseguida aparecerá este icono en la pantalla ...	conecte el cable de prueba rojo a ...	conecte el cable de prueba negro a ...
Corriente alterna* (600 A máx.)	\tilde{A}	\sim y A	N/A	N/A
Frecuencia de una corriente (600 A máx.)	\tilde{A} y oprima Hz	Hz	N/A	N/A
Voltaje (600V máx.)	\tilde{V}	\sim y V	+	COM
	\overline{V}	\equiv y V		
Frecuencia de una señal de tensión	\tilde{V} o \overline{V} y oprima Hz	Hz	+	COM
Resistencia	Ω  \rightarrow	M Ω	+	COM
Continuidad**	Ω  \rightarrow y oprima SELECT	Ω 	+	COM
Diodo	Ω  \rightarrow y oprima SELECT 2 veces	\rightarrow y V	+	COM

* Las mediciones de corriente de CA se toman con una pinza.

** El tono es señal de continuidad. El umbral está entre 5 Ω y 120 Ω .

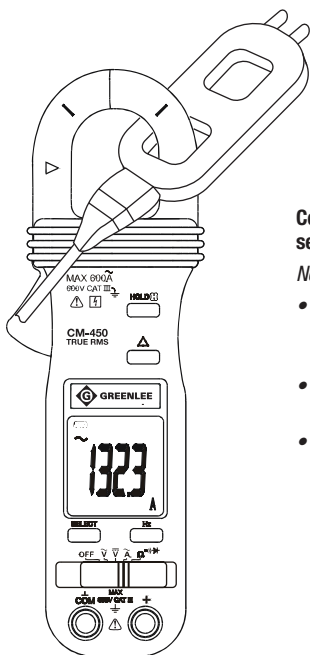
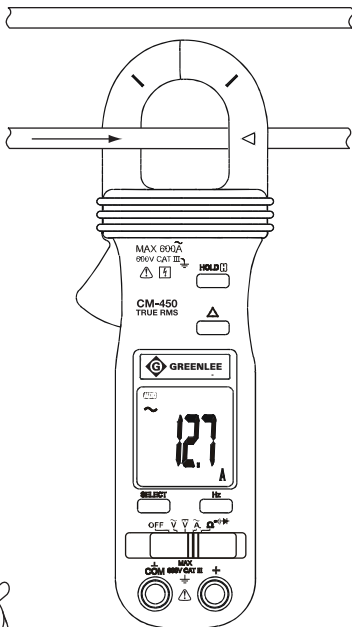
Mediciones más comunes

Amperios de CA

Con la pinza colocada alrededor de un cable

Notas:

- Coloque la pinza alrededor de un solo conductor únicamente.
- Cierre completamente la pinza a fin de asegurar una medición exacta.
- Para obtener una mayor precisión centre el cable en la pinza.



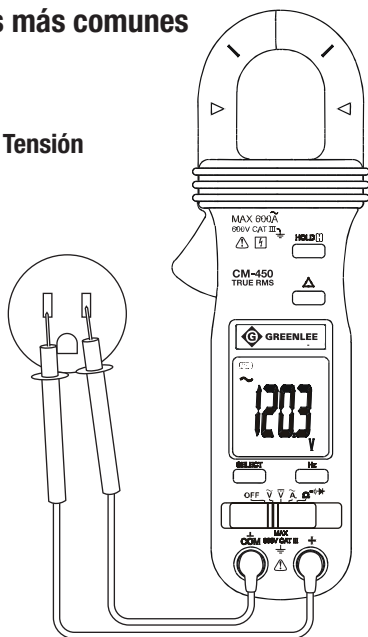
Con la pinza colocada alrededor del separador de líneas

Notas:

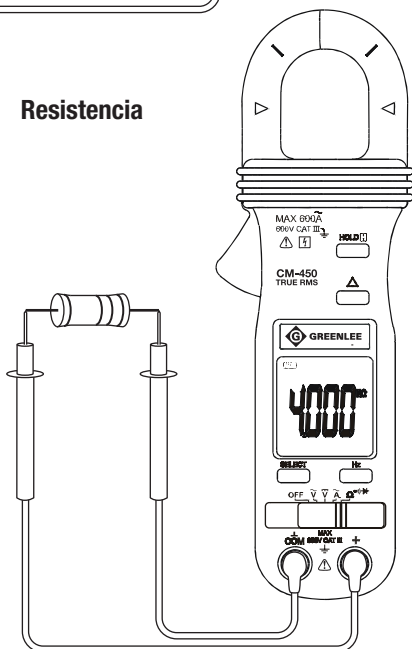
- El separador de líneas Greenlee 93-30 está dividido. Una sección lee amperios; la otra, amperios multiplicados por 10.
- Cierre completamente la pinza a fin de asegurar una medición exacta.
- Para obtener una mayor precisión centre el separador de líneas en la pinza.

Mediciones más comunes

Tensión

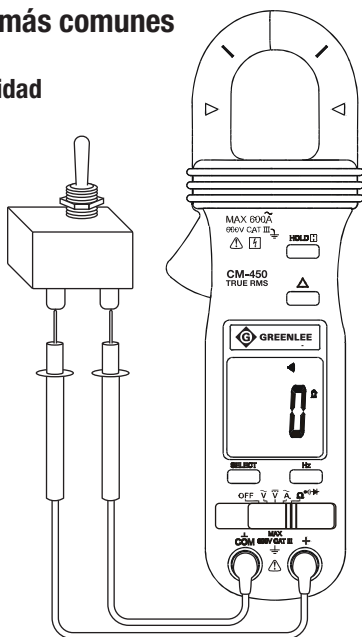


Resistencia



Mediciones más comunes

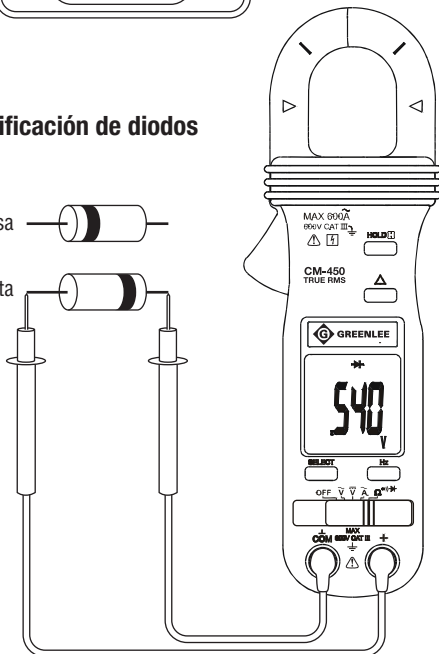
Continuidad



Verificación de diodos

Polarización inversa

Polarización directa



Precisión

Consulte la sección “Especificaciones” en relación con las condiciones de operación y el coeficiente de temperatura.

La precisión se especifica de la siguiente manera: \pm (un porcentaje de la lectura + una cantidad fija) a $23^{\circ}\text{C} \pm 5^{\circ}\text{C}$ ($73,4^{\circ}\text{F} \pm 9^{\circ}\text{F}$), 0% a 75% de humedad relativa.

Lecturas de valores eficaces reales: El voltaje se especifica de 5% a 100% de la gama, y la corriente alterna se especifica de 10% a 100% de la gama, salvo se especifique lo contrario. La frecuencia debe hallarse dentro del ancho de banda especificado para formas de onda no sinusoidales. Los factores de cresta son los siguientes:

- Factor de cresta $< 1,75$ a plena escala
- Factor de cresta $< 3,5$ a media escala

Corriente alterna (CA)

Escala de medición	Precisión	Escala de frecuencia
0,40 a 40,00 A	$\pm (1,5\% + 0,08 \text{ A})$	50 a 60 Hz
40,0 a 400,0 A	$\pm (1,5\% + 0,8 \text{ A})$	
400 a 600 A	$\pm (1,5\% + 8 \text{ A})$	

- Influencia de conductor adyacente $< 0,05 \text{ A/A}$
- Agregue 2% si el conductor sobrepasa las marcas de error de posición.
- Multiplique la cantidad de error fijo por 2 por debajo del 10% de la gama.

Tensión alterna (CA)

Escala de medición	Precisión	Escala de frecuencia	Impedancia de entrada
4,000 V	$\pm (1,5\% + 0,005 \text{ V})$	50 a 500 Hz	10 M Ω // 30 pF nominal
40,00 V	$\pm (1,5\% + 0,05 \text{ V})$		
400,0 V	$\pm (1,5\% + 0,5 \text{ V})$		
600 V	$\pm (2,0\% + 5 \text{ V})$		

Tensión continua (CC)

Escala de medición	Precisión	Impedancia de entrada
400,0 mV	$\pm (0,3\% + 0,4 \text{ mV})$	1000 M Ω *
4,000 V	$\pm (0,5\% + 0,003 \text{ V})$	10 M Ω
40,00 V	$\pm (0,5\% + 0,03 \text{ V})$	
400,0 V	$\pm (0,5\% + 0,3 \text{ V})$	
600 V	$\pm (1,0\% + 4 \text{ V})$	

* La alta impedancia en esta gama producirá lecturas significativas distintas de cero si los cables de prueba están desconectados del circuito

Precisión (continuación)

Resistencia

Escala de medición	Precisión
400,0 Ω	$\pm (0,8\% + 0,8 \Omega)$
4,000 k Ω	$\pm (0,6\% + 0,004 \text{ k}\Omega)$
40,00 k Ω	$\pm (0,6\% + 0,04 \text{ k}\Omega)$
400,0 k Ω	$\pm (0,6\% + 0,4 \text{ k}\Omega)$
4,000 M Ω	$\pm (1,0\% + 0,004 \text{ M}\Omega)$
40,00 M Ω	$\pm (2,0\% + 0,04 \text{ M}\Omega)$

Verificador de diodos

Corriente de prueba	Tensión de circuito abierto
0,25 mA típica	1,6 VDC máx.

Frecuencia

Función	Sensitividad (sinusoidal, valores eficaces)	Escala
400,0 mV	350 mV	10 Hz a 2 kHz
4,000 V	1 V	10 Hz a 5 kHz
40,00 V	32 V	10 Hz a 100 kHz
400,0 V	100 V	10 Hz a 10 kHz
600 V	500 V	10 Hz a 5 kHz
400,0 A	60 A	40 Hz a 400 Hz

Precisión de las escalas de frecuencias

Escala de la pantalla	Precisión
5,000 Hz	$\pm (0,5\% + 0,004 \text{ Hz})$
50,00 Hz	$\pm (0,5\% + 0,04 \text{ Hz})$
500,0 Hz	$\pm (0,5\% + 0,4 \text{ Hz})$
5,000 kHz	$\pm (0,5\% + 0,004 \text{ kHz})$
50,00 kHz	$\pm (0,5\% + 0,04 \text{ kHz})$
500,0 kHz	$\pm (0,5\% + 0,4 \text{ kHz})$

Especificaciones

Pantalla: de cristal líquido (LCD) de 3-3/4-dígitos, (resolución máxima de 4000 puntos)

Frecuencia de muestreo: 3 por segundo

Indicación de superposición de gamas: "OL" aparecerá en la pantalla.

Diámetro máximo del conductor: 26 mm (1,02 pulg.)

Categoría de mediciones: Categoría III, 600V

Coefficiente de temperatura: 0,15 x (precisión especificada) por °C menor de 18°C o mayor de 28°C

Condiciones de operación:

A 0% ≤ 80% de HR: 5°C a 31°C (41°F a 86°F)

Disminuyendo linealmente a 50% de HR a 40°C (104°F)

Altitud: 2.000 m (6.500 pies) máximo

Uso en interiores únicamente

Condiciones de almacenamiento: -20°C a 60°C (-4°F a 140°F), 0% a 80% de humedad relativa sin batería

Grado de contaminación: 2

Batería: batería estándar de acumulador micrométrico de 3V (IEC-CR2032; ANSI-NEDA-54004LC)

Directivas CENELEC: Los instrumentos se ajustan a la directiva CENELEC de bajo voltaje 2006/95/CE y a la directiva de compatibilidad electromagnética 2004/108/CE

Seguridad: Doble aislamiento a IEC/UL/EN61010-1 Ed. 3.0, IEC/EN61010-2-032 Ed. 3.0, IEC/EN61010-2-033 Ed. 1.0, IEC/UL/EN61010-031 Ed. 1.1 y CAN/CSA-C22.2 N° 61010-1-12 Ed. 3.0

Todos los terminales: CAT III 600 V CA/CC

Categorías de medición

Las siguientes definiciones proceden de la norma de seguridad internacional sobre la coordinación de aislamientos tal y como se aplica a equipos de medición, control y laboratorio. En las publicaciones IEC 61010-1 y IEC 60664 de la International Electrotechnical Commission (Comisión Electrotécnica Internacional) se detallan más a fondo estas categorías de medición.

Categoría de medición I: Nivel de señal. Equipo electrónico y de telecomunicaciones, o partes del mismo. Como ejemplo pueden citarse los circuitos electrónicos protegidos contra tensiones momentáneas dentro de fotocopiadores y modems.

Categoría de medición II: Nivel local. Aparatos eléctricos, equipo portátil, y los circuitos a los que están conectados. Como ejemplo pueden citarse dispositivos de iluminación, televisores y circuitos de rama larga.

Categoría de medición III: Nivel de distribución. Máquinas instaladas permanentemente y los circuitos a los que están cableados. Como ejemplo pueden citarse sistemas conductores y los paneles del interruptor automático principal del sistema eléctrico de un edificio.

Categoría de medición IV: Nivel de abastecimiento primario. Líneas aéreas y otros sistemas de cable. Como ejemplo pueden citarse cables, medidores, transformadores y cualquier otro equipo exterior perteneciente a la empresa de servicio eléctrico.

Mantenimiento

ATENCIÓN

Peligro de electrocución:

- No intente reparar esta unidad, ya que contiene partes que deben recibir mantenimiento por parte de un profesional.
- No exponga la unidad a ambientes de temperatura extrema o altos niveles de humedad. Consulte la sección “Especificaciones”.

De no observarse estas precauciones podrían sufrirse lesiones o daños a la unidad.

Cambio de la batería

ADVERTENCIA

Peligro de electrocución:

- No haga funcionar esta unidad con la caja abierta.
- Antes de abrir la caja, retire del circuito los cables de prueba (o la pinza), y apague la unidad.

De no observarse estas advertencias podrían sufrirse lesiones graves o incluso la muerte.

1. Desconecte la unidad del circuito. Apague (**OFF**) la unidad.
2. Retire los tornillos de la tapa posterior.
3. Retire la tapa posterior.
4. Reemplace la batería (fíjese en la polaridad).
5. Vuelva a colocar la tapa posterior y los tornillos.

Limpieza

Limpie periódicamente la caja utilizando un paño húmedo y detergente suave; no utilice abrasivos ni solventes.



GREENLEE[®]

Description

Le contrôleur numérique à pince CM-450 de Greenlee est un appareil de vérification portatif qui peut mesurer jusqu'à 600 ampères de courant alternatif, la tension c.a. et c.c., la fréquence, de même que la résistance. Il contrôle aussi les diodes et vérifie la continuité. Le CM-450 est un contrôleur à lecture efficace vraie (RMS).

Sécurité

Lors de l'utilisation et de l'entretien des outils et des équipements de Greenlee, votre sécurité est une priorité. Ce manuel d'instructions et toute étiquette sur l'outil fournit des informations permettant d'éviter des dangers ou des manipulations dangereuses liées à l'utilisation de cet outil. Suivre toutes les consignes de sécurité indiquées.

Dessein de ce manuel

Ce manuel d'instructions est conçu pour que le personnel puisse se familiariser avec le fonctionnement et les procédures d'entretien sûres du contrôleur numérique à pinces CM-450 de Greenlee.

Mettre ce manuel à la disposition de tous les employés.

On peut obtenir des exemplaires gratuits sur simple demande sur le site Web www.greenlee.com.



Ne pas se débarrasser de ce produit ou le jeter !

Pour des informations sur le recyclage, visiter www.greenlee.com.

Garantie à vie limitée

La société Greenlee Tools, Inc. garantit à l'acheteur d'origine de ces produits que ces derniers ne comportent aucun défaut d'exécution ou de matériau pour la durée de leur vie utile, sauf l'usure normale. Cette garantie est assujettie aux mêmes conditions que celles contenues dans les modalités et conditions de la garantie limitée standard d'un an de Greenlee Tools, Inc.

Pour toutes les réparations d'instruments de mesure, appeler le service après vente au 800 435-0786 et demander une autorisation de retour.

Lorsque les articles ne sont pas protégés par une garantie (comme si l'appareil tombe, s'il est soumis à un usage abusif, etc.), une soumission pour le prix de réparation sera présentée sur demande.

Remarque : Avant de renvoyer un appareil de mesure, veuillez vérifier les piles remplaçables ou vous assurer que la batterie est complètement chargée.

Toutes les spécifications sont nominales et peuvent changer avec l'amélioration de la conception. Greenlee Tools, Inc. ne peut être tenue responsable des dommages résultant d'une application inappropriée ou d'un mauvais usage de ses produits.

® Enregistré : La couleur verte des instruments de vérification électrique est une marque de commerce déposée de Greenlee Tools, Inc.

CONSERVER CE MANUEL

Consignes de sécurité importantes



SYMBOLE D'AVERTISSEMENT

Ce symbole met en garde contre les risques et les manipulations dangereuses pouvant entraîner des blessures ou l'endommagement du matériel. Le mot indicateur, défini ci-dessous, indique la gravité du danger. Le message qui suit le mot indicateur indique comment empêcher le danger.

DANGER

Danger immédiat qui, s'il n'est pas pris en considération **ENTRAINERA** des blessures graves, voire mortelles.

AVERTISSEMENT

Danger qui, s'il n'est pas pris en considération, **POURRAIT** entraîner des blessures graves, voire mortelles.

ATTENTION

Dangers ou manipulations dangereuses qui, s'ils ne sont pas pris en considération, **POURRAIENT EVENTUELLEMENT** entraîner des dommages à la propriété ou causer des blessures.



AVERTISSEMENT

Lire attentivement et bien comprendre cette documentation avant d'utiliser ou de procéder à l'entretien de cet équipement. Négliger de comprendre comment utiliser cet outil en toute sécurité pourrait provoquer un accident et entraîner des blessures graves, voire mortelles.



AVERTISSEMENT

Risque de décharge électrique :
Un contact avec des circuits sous tension pourrait entraîner des blessures graves, voire mortelles.

Consignes de sécurité importantes

⚠️ AVERTISSEMENT

Risques de décharge électrique et d'incendie :

- Ne pas exposer cet appareil à la pluie ou à l'humidité.
- Ne pas utiliser cet appareil s'il est mouillé ou endommagé.
- Utilisez exclusivement les fils de test fournis avec l'équipement ou des sondes homologuées UL ayant une qualification identique ou supérieure.
- Vérifier les fils d'essai ou l'accessoire avant de les utiliser. La pièce (ou les pièces) doi(ven)t être propre(s) et sèche(s) et l'isolation en bon état. Si la couche isolante interne, de couleur contrastée, est visible, n'utilisez pas le fil.
- Utiliser cet appareil uniquement dans le but pour lequel il a été conçu, comme il est décrit dans ce manuel. Toute autre utilisation peut altérer le système de protection de cet appareil.

L'inobservation de ces consignes pourrait entraîner des blessures graves, voire mortelles.

⚠️ AVERTISSEMENT

Risque de décharge électrique :

- Ne pas utiliser lorsque le boîtier est ouvert.
- Avant d'ouvrir le boîtier, retirer les fils d'essai (ou la pince) du circuit et mettre l'appareil hors tension.

L'inobservation de ces consignes pourrait entraîner des blessures graves, voire mortelles.

⚠️ AVERTISSEMENT

Risque de décharge électrique :

- L'utilisation de cet appareil à proximité d'équipements qui génèrent des interférences électromagnétiques peut produire des lectures instables ou erronées.
- Sauf si l'on mesure la tension ou le courant, mettre hors tension et verrouiller la source d'alimentation. S'assurer que tous les condensateurs sont déchargés. Aucune tension ne doit être présente.

L'inobservation de ces consignes pourrait entraîner des blessures graves, voire mortelles.

Consignes de sécurité importantes

ATTENTION

Risque de décharge électrique :

- Ne pas tenter de réparer cet appareil. Il ne comporte aucune pièce pouvant être réparée.
- Ne pas exposer l'appareil à des températures ou à une humidité extrêmes. Se reporter à la section des « Spécifications ».

L'inobservation de ces consignes pourrait endommager l'appareil et entraîner des blessures.

ATTENTION

Risque de décharge électrique :

Ne pas modifier la fonction de mesure pendant que les fils d'essai sont connectés à un composant ou à un circuit.

L'inobservation de cette consigne pourrait endommager l'appareil et entraîner des blessures.

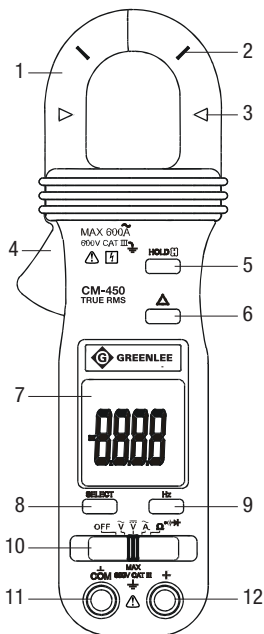
Déclaration de conformité

Greenlee Tools, Inc. est certifiée selon ISO 9001:2008 pour nos Systèmes de gestion de la qualité.

L'instrument ci-inclus a été vérifié et/ou étalonné avec des moyens de mesure raccordés aux étalons du National Institute of Standards and Technology (NIST).

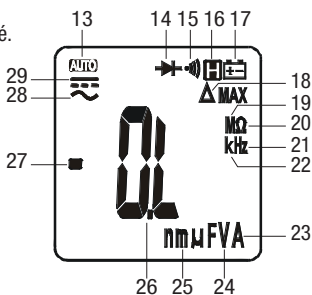
Identification

1. Pince
2. Marques d'erreur de position
3. Marques du centre de la mâchoire
4. Levier
5. Bouton de maintien
6. Bouton de mesure relative
7. Afficheur
8. Bouton de sélection
9. Bouton de bande passante
10. Sélecteur
11. Borne d'entrée négative, commune (COM) ou de mise à la masse
12. Borne d'entrée de volts ou de résistance (V-Ω)



Icônes de l'afficheur

13. **AUTO** Mesure automatique de la plage activée.
14. **→|** Essai de diode
15. **•||)** Mode de continuité
16. **□** Fonction de maintien activée.
17. **⊕** Indicateur de pile faible
18. **Δ** Mode de mesure relative activé.
19. **M** Méga (10^6)
20. **Ω** Ohms
21. **Hz** Hertz
22. **k** kilo (10^3)
23. **A** Ampères
24. **V** Volts
25. **m** milli (10^{-3})
26. **O.L.** Indicateur de surcharge
27. **-** Indicateur de polarité négative
28. **~** Mesure du c.a. sélectionnée.
29. **≡** Mesure du c.c. sélectionnée.



Remarque : Les icônes non identifiées ne sont pas utilisées sur ce modèle.

Symboles apparaissant sur l'appareil

- Avertissement — Lire le manuel d'instructions
- Peut être placé autour de conducteurs sous tension dangereuse ou en être enlevé.
- Isolation double

Utilisation des fonctions

Sélecteur

- Glisser le sélecteur sur le mode de fonctionnement désiré :

 Tension c.a.

 Tension c.c.

 Courant c.a.

 (ohms/continuité/diode)

- Remettre le sélecteur à la position d'arrêt (**OFF**) lorsque l'appareil n'est pas utilisé.

Bouton de sélection (SELECT)


- Appuyer quelque secondes pour sélectionner le test de résistance, de continuité ou de diode lorsque le sélecteur est réglé à .

Bouton de fréquence (Hz)

- Appuyer pour mesurer la fréquence.

*Remarque : La sensibilité de la fonction de mesure de fréquence varie selon la plage de mesure. Pour sélectionner automatiquement un degré de sensibilité, mesurer d'abord le niveau de tension puis appuyer sur **Hz**. Une pression sur **Hz** avant d'effectuer une mesure peut donner une sensibilité accrue. La lecture peut afficher zéro lorsque la sensibilité est trop basse. Le bruit électrique peut causer des lectures instables.*

Bouton de maintien (HOLD)

- Appuyer quelques secondes pour maintenir la valeur en cours sur l'afficheur. L'icône  apparaît sur l'afficheur.
- Appuyer de nouveau pour revenir au mode normal.

Bouton de mesure relative (Δ)

Calcule la différence entre les deux mesures.

- Pendant la mesure, appuyer sur Δ pour régler l'afficheur sur zéro. Δ apparaît sur l'afficheur.
- Prendre la deuxième mesure. La valeur affichée à l'écran représente la différence entre les deux mesures.
- Appuyer de nouveau pour sortir de ce mode.

Mise hors tension automatique

Afin de prolonger la durée de vie utile de la pile, le contrôleur s'éteint automatiquement après environ 30 minutes d'inactivité. Pour remettre sous tension, appuyer sur n'importe quel bouton.

Mesure du c.a.


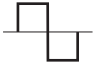


En règle générale, les mesures du c.a sont affichées en valeurs RMS (moyenne effective). La valeur RMS équivaut à la valeur d'une forme d'onde c.c., qui fournirait la même puissance si elle remplaçait la forme d'onde qui varie en fonction du temps. Les deux méthodes de mesure du c.a. sont *calibrées pour une réponse RMS moyenne et pour une lecture RMS véritable*.

La méthode par réponse moyenne consiste à mesurer la valeur moyenne du signal d'entrée après un redressement onde-pleine, à la multiplier par 1,11 et à afficher le résultat. Cette méthode est précise si le signal d'entrée est une onde sinusoïdale pure.

La méthode par mesure de la valeur efficace vraie (RMS) fait appel à un circuit interne permettant de mesurer directement la valeur efficace. Cette méthode est précise dans les limites du facteur de crête spécifiées, que le signal soit une onde sinusoïdale pure, une onde carrée, une onde triangulaire, une demi-onde ou un signal comportant des harmoniques. Les appareils à mesure de valeur efficace vraie (RMS) sont beaucoup plus polyvalents que les appareils conventionnels. Le contrôleur CM-450 de Greenlee lit la valeur efficace vraie (RMS).

Le tableau des formes d'onde et facteurs de crête fournit les valeurs efficaces des signaux alternatifs courants.

Formes d'ondes et facteurs de crêtes

Forme d'onde				
Valeur RMS	100	100	100	100
Valeur moyenne	90	100	87	64
Facteur de crête* (ξ)	1,414	1	1,73	2





* Le facteur de crête correspond au ratio de la valeur de crête par rapport à la valeur RMS ; il est représenté par la lettre grecque ξ .

Utilisation

	⚠ AVERTISSEMENT
	<p>Risque de décharge électrique :</p> <p>Un contact avec des circuits sous tension pourrait entraîner des blessures graves, voire mortelles.</p>

1. Régler le sélecteur à partir du Tableau des réglages. Appuyer quelques instants sur **SELECT** (sélecteur) pour sélectionner un mode.
2. Se reporter aux « Mesures types » pour obtenir des instructions de mesure spécifiques.
3. Vérifier l'appareil sur un circuit ou sur un composant connu.
 - Si l'appareil ne fonctionne pas comme prévu sur un circuit dont le fonctionnement est connu, remplacer la pile.
 - Si l'appareil ne fonctionne toujours pas comme prévu, appeler Greenlee pour obtenir de l'assistance technique au 800 435-0786.
4. Lire le circuit ou le composant à vérifier.

Tableau des réglages

Pour mesurer cette valeur ...	Régler le sélecteur à ce symbole ...	Cette icône apparaît sur l'écran ...	Connecter le fil rouge à ...	Connecter le fil noir à ...
Courant c.a.* (600 A maxi.)	\tilde{A}	~ et A	N/D	N/D
Fréquence d'un courant (600 A maxi.)	\tilde{A} et appuyer sur Hz	Hz	N/D	N/D
Tension (600 V maxi.)	\tilde{V}	~ et V	+	COM
	\overline{V}	= et V		
Fréquence d'un signal de tension	\tilde{V} or \overline{V} et appuyer sur Hz	Hz	+	COM
Résistance	Ω  \rightarrow	M Ω	+	COM
Continuité**	Ω  \rightarrow et appuyer sur SELECT	Ω 	+	COM
Diode	Ω  \rightarrow et appuyer 2 fois sur SELECT	\rightarrow et V	+	COM

* Utiliser la pince pour mesurer le courant c.a.

** La tonalité indique la continuité. Le seuil se situe entre 5 Ω et 120 Ω .

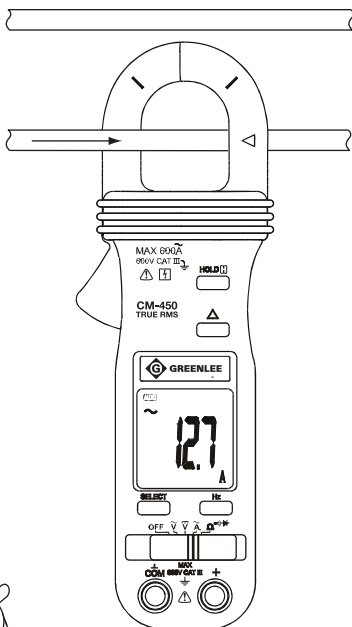
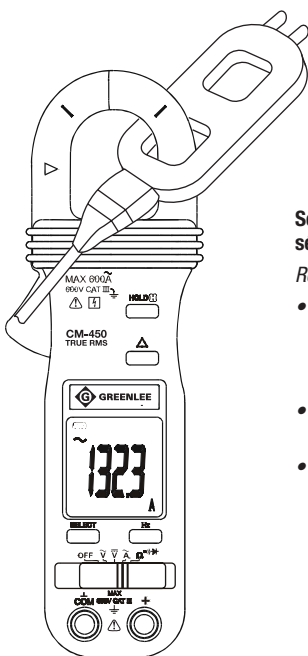
Mesures types

Ampères c.a.

Serrer autour du câble.

Remarques :

- Serrer la pince autour d'un seul conducteur.
- Fermer complètement la pince pour garantir une mesure exacte.
- Pour plus de précision, centrer le câble dans la pince.



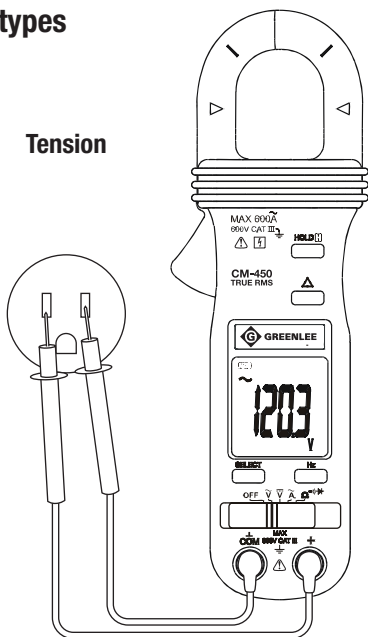
Serrer autour du séparateur de ligne.

Remarques :

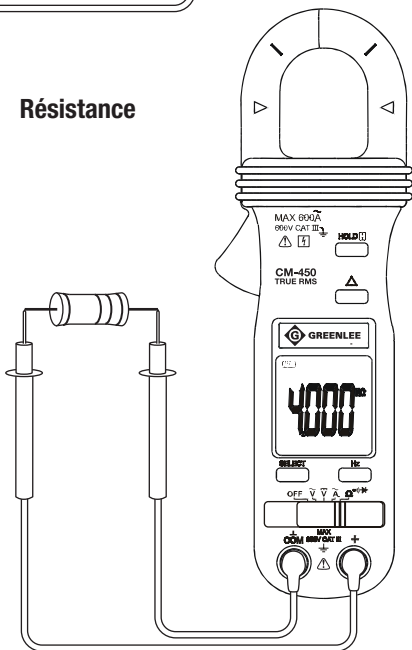
- Le séparateur de ligne 93-30 de Greenlee est divisé. Une section donne des ampères ; l'autre des ampères multipliés par 10.
- Fermer complètement la pince pour garantir une mesure exacte.
- Pour plus de précision, centrer le séparateur de ligne dans la pince.

Mesures types

Tension

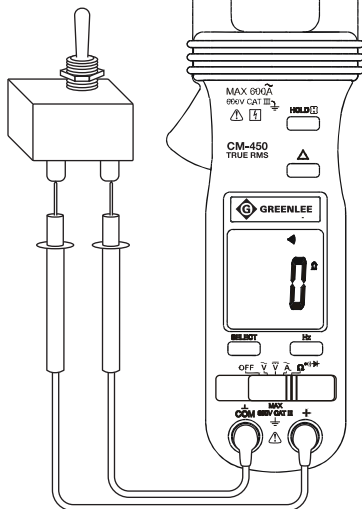


Résistance



Mesures types

Continuité

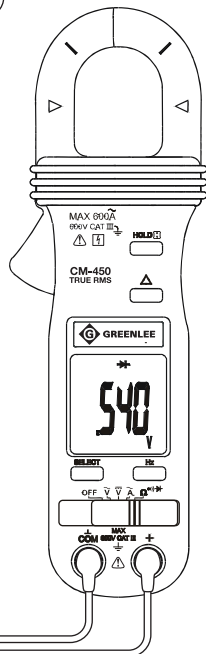
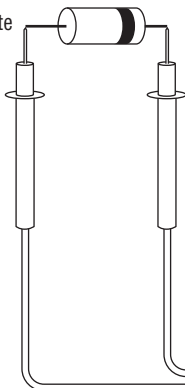


Vérification de la diode

Polarisation inverse



Polarisation directe



Précision

Pour obtenir les conditions d'utilisation et les coefficients de température, consulter la section sur les « Spécifications ».

La précision est spécifiée comme suit : \pm (un pourcentage de la lecture + une quantité fixe) à 23 °C \pm 5 °C (73,4 °F \pm 9 °F), 0 à 75 % d'humidité relative.

Lectures RMS véritables : La tension est spécifiée à partir de 5 % à 100 % de la plage et le courant c.a. est spécifié entre 10 % et 100 % de la plage, à moins de mention contraire. Les fréquences doivent se situer dans les limites de la largeur de bande spécifiée pour les formes d'ondes non sinusoïdales. Les facteurs de crête sont les suivants :

- Facteur de crête < 1,75 à pleine échelle
- Facteur de crête < 3,5 à demi échelle

Courant c.a.

Plage de mesure	Précision	Plage de fréquence
0,40 à 40,00 A	\pm (1,5 % + 0,08 A)	50 à 60 Hz
40,0 à 400,0 A	\pm (1,5 % + 0,8 A)	
400 à 600 A	\pm (1,5 % + 8 A)	

- Influence du conducteur adjacent < 0,05 A/A
- Ajouter 2 % si le conducteur dépasse la position des marques d'erreur.
- Multiplier le calcul de l'erreur fixe par deux (2) fois sous 10 % de la plage.

Tension c.a.

Plage de mesure	Précision	Plage de fréquence	Impédance d'entrée
4,000 V	\pm (1,5 % + 0,005 V)	50 à 500 Hz	10 M Ω // 30 pF nominal
40,00 V	\pm (1,5 % + 0,05 V)		
400,0 V	\pm (1,5 % + 0,5 V)		
600 V	\pm (2,0 % + 5 V)		

Tension c.c.

Plage de mesure	Précision	Impédance d'entrée
400,0 mV	\pm (0,3 % + 0,4 mV)	1000 M Ω *
4,000 V	\pm (0,5 % + 0,003 V)	10 M Ω
40,00 V	\pm (0,5 % + 0,03 V)	
400,0 V	\pm (0,5 % + 0,3 V)	
600 V	\pm (1,0 % + 4 V)	

* La haute impédance de cette plage produit des lectures non zéro significatives lorsque les fils d'essai sont débranchés d'un circuit.

Précision (suite)

Résistance

Plage de mesure	Précision
400,0 Ω	$\pm (0,8 \% + 0,8 \Omega)$
4,000 k Ω	$\pm (0,6 \% + 0,004 \text{ k}\Omega)$
40,00 k Ω	$\pm (0,6 \% + 0,04 \text{ k}\Omega)$
400,0 k Ω	$\pm (0,6 \% + 0,4 \text{ k}\Omega)$
4,000 M Ω	$\pm (1,0 \% + 0,004 \text{ M}\Omega)$
40,00 M Ω	$\pm (2,0 \% + 0,04 \text{ M}\Omega)$

Vérification de la diode

Vérification du courant	Tension de circuit ouvert
0,25 mA typique	1,6 VDC max.

Fréquence

Fonction	Sensibilité (Sinus RMS)	Plage
400,0 mV	350 mV	10 Hz à 2 kHz
4,000 V	1 V	10 Hz à 5 kHz
40,00 V	32 V	10 Hz à 100 kHz
400,0 V	100 V	10 Hz à 10 kHz
600 V	500 V	10 Hz à 5 kHz
400,0 A	60 A	40 Hz à 400 Hz

Précision des plages de fréquence

Plage d'affichage	Précision
5,000 Hz	$\pm (0,5 \% + 0,004 \text{ Hz})$
50,00 Hz	$\pm (0,5 \% + 0,04 \text{ Hz})$
500,0 Hz	$\pm (0,5 \% + 0,4 \text{ Hz})$
5,000 kHz	$\pm (0,5 \% + 0,004 \text{ kHz})$
50,00 kHz	$\pm (0,5 \% + 0,04 \text{ kHz})$
500,0 kHz	$\pm (0,5 \% + 0,4 \text{ kHz})$

Spécifications

Affichage : 3-3/4-chiffres sur ACL (affichage maximum de 4000)

Taux d'échantillonnage : 3 par seconde

Indication de dépassement de plage : « OL » apparaît sur l'afficheur.

Diamètre maximal du conducteur : 26 mm (1,02 po)

Catégorie de mesure : Catégorie III, 600 volts

Coefficient de température : 0,15 x (précision spécifiée) par °C inférieur à 18 °C ou supérieur à 28 °C

Conditions d'utilisation :

À 0 % ≤ 80 % HR : 5 °C à 31 °C (41 °F à 86 °F)

Linéarité décroissante à 50 % HR à 40 °C (104 °F)

Altitude : 2 000 m (6 500 pi) maximum

Utilisation à l'intérieur uniquement

Conditions d'entreposage : -20 °C à 60 °C (-4 °F à 140 °F), 0 à 80 % d'humidité relative, sans pile

Degré de pollution : 2

Pile : Pile bouton standard de 3 V (IEC-CR2032; ANSI-NEDA-54004LC)

Directives CENELEC : Ces instruments sont conformes aux directives CENELEC 2006/95/CE, relative à la basse tension, et 2004/108/CE, relative à la compatibilité électromagnétique

Sécurité : Double isolation, conforme CEI/UL/EN61010-1 Éd. 3.0, CEI/EN61010-2-032 Éd. 3.0, CEI/EN61010-2-033 Éd. 1.0, CEI/UL/EN61010-031 Éd. 1.1 et CAN/CSA-C22.2 No. 61010-1-12 Éd. 3.0
Toutes les bornes : CAT III 600 V CA/CC

Catégories de mesure

Ces définitions sont dérivées des normes internationales sur la sécurité pour la coordination de l'isolation telle qu'elle s'applique à la mesure, au contrôle et à l'équipement de laboratoire. Ces catégories de mesure sont expliquées plus en détail par la Commission électrotechnique internationale ; se reporter à l'une de ces deux publications : IEC 61010-1 ou IEC 60664.

Catégorie de mesure I: Niveau de signal. Pièces ou équipement électronique et de télécommunication. Par exemple, les circuits électroniques protégés contre les courants transitoires, dans les photocopieurs et les modems.

Catégorie de mesure II: Niveau local. Appareils, équipement portatif et les circuits dans lesquels ils sont branchés. Par exemple, les appareils d'éclairage, les téléviseurs et les dérivations.

Catégorie de mesure III: Niveau de distribution. Les machines installées en permanence et les circuits auxquels elles sont câblées. Par exemple, les systèmes de convoyeurs et les panneaux de disjoncteurs principaux du système électrique d'un édifice.

Catégorie de mesure IV: Niveau d'alimentation principal. Lignes surélevées et autres systèmes de câbles. Par exemple, les câbles, les compteurs, les transformateurs et autres équipements extérieurs appartenant aux fournisseurs en électricité.

Entretien

ATTENTION

Risque de décharge électrique :

- Ne pas tenter de réparer cet appareil. Il ne comporte aucune pièce pouvant être réparée.
- Ne pas exposer l'appareil à des températures ou à une humidité extrêmes. Se reporter à la section des « Spécifications ».

L'inobservation de ces consignes pourrait endommager l'appareil et entraîner des blessures.

Remplacement de la ou des piles

AVERTISSEMENT

Risque de décharge électrique :

- Ne pas utiliser lorsque le boîtier est ouvert.
- Avant d'ouvrir le boîtier, retirer les fils d'essai (ou la pince) du circuit et mettre l'appareil hors tension.

L'inobservation de ces consignes pourrait entraîner des blessures graves, voire mortelles.

1. Débrancher l'appareil du circuit. Mettre l'appareil hors tension (**OFF**).
2. Enlever les vis du couvercle arrière.
3. Retirer le couvercle arrière.
4. Remplacer la pile (suivre la polarité).
5. Remettre en place le couvercle arrière et remettre les vis.

Nettoyage

Nettoyer régulièrement le boîtier avec un chiffon humide et un détergent doux. Ne pas utiliser de produits abrasifs ou de solvants.



4455 Boeing Drive • Rockford, IL 61109-2988 • USA • 815-397-7070
An ISO 9001 Company • ©2019 Greenlee Tools, Inc.

USA

Tel: 800-435-0786

Fax: 800-451-2632

Canada

Tel: 800-435-0786

Fax: 800-524-2853

International

Tel: +1-815-397-7070

Fax: +1-815-397-9247

www.greenlee.com