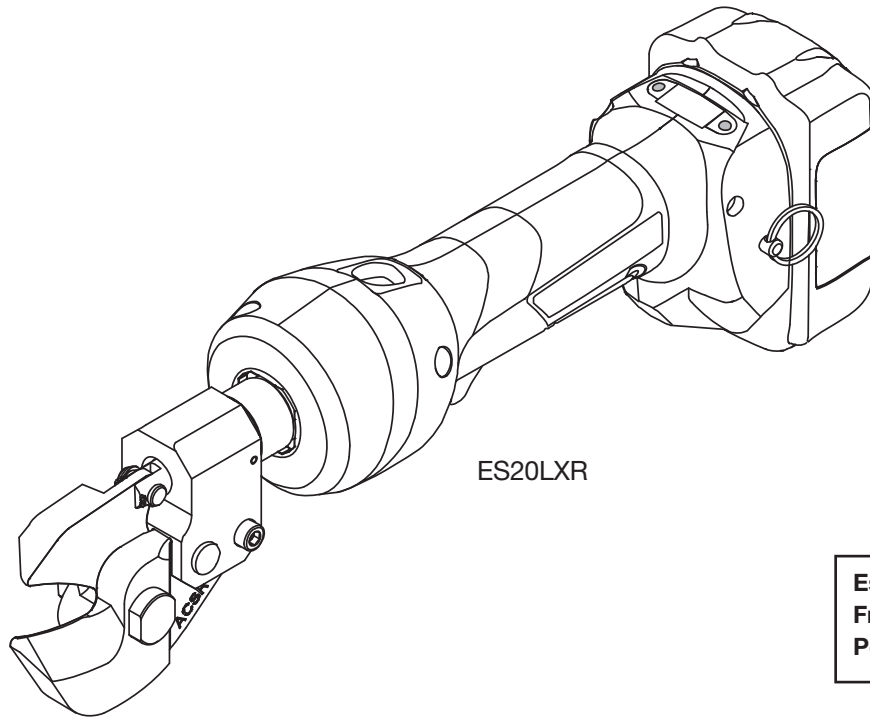


INSTRUCTION MANUAL

ORIGINAL INSTRUCTIONS



Record serial number here



ES20LXR

Español.....21-40
Français.....41-60
Português.....61-80

In-Line Remote Wire Cutter with Wireless Remote



Read and understand all of the instructions and safety information in this manual before operating or servicing this tool.

KEEP THIS MANUAL

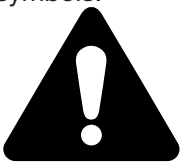
Table of Contents

Safety Symbols Key	3
General Safety Warnings*.....	4-5
Tool Specific Safety Information.....	5
Greenlee Contact Information	6
Tool Description.....	7
Specifications.....	7
Tool Identification	8
Decals & Locations.....	9
LED Signals	10
Tool Indicator LED.....	10
Remote LEDs	10
OLED Screen.....	10
I-Press App.....	11
Training and Qualifications	11
Pre-Operation Inspection	11
Work Area & Tool Set Up.....	12
Tool Operation	13
Handheld.....	13
Remote.....	14
Troubleshooting.....	18
Transportation & Storage	19
Service.....	19
Maintenance.....	19
Optional Equipment and Repair Parts.....	19
Disposal.....	20
Required Statements.....	20

KEEP THESE INSTRUCTIONS

Safety Symbols Key

In this operator’s manual and on the product, safety symbols and signal words are used to communicate important safety information. This section is provided to improve understanding of these signal words and symbols.



This is the safety alert symbol. It is used to alert you to potential personal injury hazards. Obey all safety messages that follow this symbol to avoid possible injury or death.

⚠ DANGER

indicates a hazardous situation which, if not avoided, **WILL** result in death or serious injury.

⚠ WARNING

indicates a hazardous situation which, if not avoided, **COULD** result in death or serious injury.

⚠ CAUTION

indicates hazards or unsafe practices which, if not avoided, **MAY** result in injury or property damage.



This symbol means read the operator’s manual carefully before using the equipment. The operator’s manual contains important information on the safe and proper operation of the equipment.



This symbol means always wear safety glasses with side shields or goggles when handling or using this equipment to reduce the risk of eye injury.



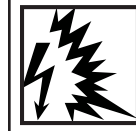
Always wear gloves when handling or using this equipment to reduce the risk of injury.



This symbol means always wear hearing protection while using this equipment to reduce the risk of injury.



This symbol indicates the risk of electrical shock.



This symbol indicates the risk of arc flash.



This symbol indicates the risk of components breaking free and striking nearby personnel.



This symbol indicates the risk of a hose or rope whipping and causing striking injuries.



This symbol indicates that risk of injury from falling objects.



This symbol indicates the risk of hands, fingers or other body parts being cut or severed if caught between sharp elements.

General Safety Warnings*

⚠ WARNING



Read all safety warnings, instructions, illustrations and specifications provided with this power tool. Failure to follow all instructions listed below may result in electric shock, fire and/or serious injury.

SAVE ALL WARNINGS AND INSTRUCTIONS FOR FUTURE REFERENCE.

The term “power tool” in the warnings refers to your mains-operated (corded) power tool or battery operated (cordless) power tool.

WORK AREA SAFETY

- **Keep your work area clean and well lit.** Cluttered or dark areas invite accidents.
- **Do not operate power tools in explosive atmospheres, such as in the presence of flammable liquids, gases or dust.** Power tools create sparks which may ignite the dust or fumes.
- **Keep children and bystanders away while operating a power tool.** Distractions can cause you to lose control.

ELECTRICAL SAFETY

- **Power tool plugs must match the outlet. Never modify the plug in any way.** Do not use any adapter plugs with earthed (grounded) power tools. Unmodified plugs and matching outlets will reduce risk of electric shock.
- **Avoid body contact with earthed or grounded surfaces, such as pipes, radiators, ranges, and refrigerators.** There is an increased risk of electric shock if your body is earthed or grounded.
- **Do not expose power tools to rain or wet conditions.** Water entering a power tool will increase the risk of electric shock.
- **Do not abuse the cord. Never use the cord for carrying, pulling or unplugging the power tool.** Keep cord away from heat, oil, sharp edges or moving parts. Damaged or entangled cords increase the risk of electric shock.
- **When operating a power tool outdoors, use an extension cord suitable for outdoor use.** Use of a cord suitable for outdoor use reduces the risk of electric shock.
- **If operating a power tool in a damp location is unavoidable, use a Residual Current Device (RCD) protected supply.** Use of an RCD reduces the risk of electric shock.

PERSONAL SAFETY

- **Stay alert, watch what you are doing and use common sense when operating a power tool.** Do not use a power tool while you are tired or under the influence of drugs, alcohol, or medication. A moment of inattention while operating power tools may result in serious personal injury.
- **Use personal protective equipment (PPE).** Always wear eye protection. Protective equipment such as dust mask, non-skid safety shoes, hard hat, or hearing protection used for appropriate conditions will reduce personal injuries.
- **Prevent unintentional starting.** Ensure the switch is in the off position before connecting to power source and/or BATTERY pack, picking up or carrying the tool. Carrying power tools with your finger on the switch or energizing power tools that have the switch on invites accidents.
- **Remove any adjusting key or wrench before turning the power tool on.** A wrench or a key left attached to a rotating part of the power tool may result in personal injury.
- **Do not overreach.** Always keep proper footing and balance. This enables better control of the power tool in unexpected situations.
- **Dress properly.** Do not wear loose clothing or jewelry. Keep your hair, clothing, and gloves away from moving parts. Loose clothes, jewelry or long hair can be caught in moving parts.
- **If devices are provided for the connection of dust extraction and collection facilities, ensure these are connected and properly used.** Use of dust collection can reduce dust-related hazards.
- **Do not let familiarity gained from frequent use of tools allow you to become complacent and ignore tool safety principles.** A careless action can cause severe injury within a fraction of a second.

POWER TOOL USE AND CARE

- **Do not force the power tool.** Use the correct power tool for your application. The correct power tool will do the job better and safer at the rate for which it was designed.
- **Do not use the power tool if the switch does not turn it on and off.** Any power tool that cannot be controlled with the switch is dangerous and must be repaired.
- **Disconnect the plug from the power source and/or remove the BATTERY pack, if detachable, from the power tool before making any adjustments, changing accessories, or storing power tools.** Such preventive safety measures reduce the risk of starting the power tool accidentally.

- **Store idle power tools out of the reach of children and do not allow persons unfamiliar with the power tool or these instructions to operate the power tool.** Power tools are dangerous in the hands of untrained users.
- **Maintain power tools and accessories.** Check for misalignment or binding of moving parts, breakage of parts and any other condition that may affect the power tool's operation. If damaged, have the power tool repaired before use. Many accidents are caused by poorly maintained power tools.
- **Keep cutting tools sharp and clean.** Properly maintained cutting tools with sharp cutting edges are less likely to bind and are easier to control.
- **Use the power tool, accessories, and tool bits etc. in accordance with these instructions, considering the working conditions and the work to be performed.** Use of the power tool for operations different from those intended could result in a hazardous situation.
- **Keep handles and grasping surfaces dry, clean, and free from oil and grease.** Slippery handles and grasping surfaces do not allow for safe handling and control of the tool in unexpected situations.

BATTERY TOOL USE AND CARE

- **Recharge only with the charger specified by the manufacturer.** A charger that is suitable for one type of BATTERY pack may create a risk of fire when used with another BATTERY pack.
- **Use power tool only with specifically designated BATTERY packs.** Use of any other BATTERY packs may create a risk of injury and fire.
- **When BATTERY pack is not in use, keep it away from other metal objects, like paper clip, coins, keys, nails, screws, or other small metal objects, that can make a connection from one terminal to another.** Shorting the BATTERY terminals together may cause burns or a fire.
- **Under abusive conditions, liquid may be ejected from the BATTERY; avoid contact.** If contact accidentally occurs, flush with water. If liquid contacts eyes, additionally seek medical help. Liquid ejected from the BATTERY may cause irritation or burns.
- **Do not use a BATTERY pack or tool that is damaged or modified.** Damaged or modified batteries may exhibit unpredictable behavior resulting in fire, EXPLOSION, or risk of injury.
- **Do not expose a BATTERY pack or tool to fire or excessive temperature.** Exposure to fire or temperature above 265°F (130°C) may cause explosion.
- **Follow all charging instructions and do not charge the BATTERY pack or tool outside the temperature range specified in the instructions.** Charging improperly or at temperatures outside the specified range may damage the battery and

increase the risk of fire.

SERVICE

- **Have your power tool serviced by a qualified repair person using only identical replacement parts.** This will ensure that the safety of the power tool is maintained.
- **Never service damaged battery packs.** Service of battery packs should only be performed by the manufacturer or authorized service providers.

* The text used in the General Power Tool Safety Warnings section of this manual is required from the applicable EN 62841-1 standard to which this tool is tested. This section contains general safety practices for many different types of power tools. Not every precaution applies to every tool, and some may not apply to this tool.

Tool Specific Safety Information

⚠ DANGER



Safety is essential in the use and maintenance of Greenlee tools and equipment. This instruction manual and any markings on the tool provide information for avoiding hazards and unsafe practices related to the use of this tool. Observe all the safety information provided in this manual.

Before operating this tool, read and understand:

- This operator's manual
- The instructions for any other equipment or material used with this tool
- Markings on the tool
- Required work-site safety procedures

Failure to follow all instructions and warnings may result in serious injury.

- **Never touch any part of the tool while it is in contact with high voltage.** The tool should be considered as at the same voltage as the circuit.
- **Always use proper high voltage procedures, including use of personal protective equipment, when working near or around high voltage equipment or conductors. Remain outside of the arc flash boundary in accordance with NFPA 70E for the conductor being cut to reduce the risk of severe injury.** If you are not trained and familiar with appropriate job site and PPE requirements do not use this tool.
- **Do not use on live electrical lines in handheld mode.** This tool is not insulated, severe injury or death could occur from electric shock and arc flash.
- **Only a person trained in working around and on high voltage electric systems should use this tool.** The voltages these instruments operate at are to be considered live and dangerous and are lethal. Severe injury or death can occur if improperly used.

- **Always use a hot stick and follow rigorous hot stick work practices when using this tool in remote mode, to reduce the risk of injury.**
- **Never allow another high voltage conductor, or grounded point to contact the instrument during use.** Always keep the tool housing clear of all conductors to prevent shorting the circuit and causing an arc flash that could result in severe injury or death.

Failure to follow these warnings will result in severe injury or death.

⚠ WARNING



- **Keep your fingers and hands away from the tool head during the operating cycle. Remove battery before touching the cutting head or attaching/removing the hot stick adapter.** Your fingers or hands can be crushed, fractured, or amputated if they become caught in the tool head or between the tool head and other objects.
- **Do not cut cable under tension.** Cable can whip and strike when cut and result in severe injury or death
- **Do not stand directly under overhead cables and this tool when attached to a hot stick.** The cable or tool can fall and cause severe injuries or death.
- **One person must control work process and machine operation.** Only the operator should handle the tool and remote to reduce the risk of injury.
- **Do not modify tool.** Modifying the tool in any manner may result in personal injury and damage to the tool. A tool with a cutting head that has been welded, ground, drilled or modified in any manner can break during use and throw parts that could result in severe injury or death.
- **Before use, inspect the tool and correct any problems before using to reduce the risk of injury and prevent product damage.** If during inspection, hydraulic oil has leaked from the tool or damage to tool is observed or suspected, do not use the tool. Large forces are generated during use that can break or throw parts and cause injury.
- **Confirm proper operation before and after each use to reduce the risk of injury.**
- **Set up the tool and work area according to these procedures to reduce the risk of injury.**

Failure to follow these warnings could result in severe injury or death.

Greenlee Contact Information

If you have any questions, need to arrange service or purchase parts or accessories for this Greenlee/HDE product: Contact your local Greenlee distributor or Greenlee's Customer Service Center

Additional copies of this manual are available for download at www.greenlee.com

Greenlee Customer Service

USA: 1-800-435-0786 | Canada: 800-435-0786

International: 1-815-397-7070

GRNCustomerService@emerson.com

Shipping address:

Greenlee Factory Service Center

4411 Boeing Dr., Rockford, IL 61109

Tool Description

The ES20LXR In-Line Remote Wire Cutter with Wireless Remote can cut stranded copper and aluminum cable as well as ACSR wire both remotely and handheld. This tool can be mounted on a hot stick for work on and around high voltage power lines.

Features

- Remote and Handheld Operation Profiles
- Hot Stick Mount
- Wireless Remote
- Connects to the Greenlee I-Press App
- OLED Screen
- Retract Button
- Magnetic Solenoid Brake
- Automatic Blade Retraction
- 330° Head Rotation

Specifications

ES20LXR

Cutting Capacity:

- Copper and aluminum cable up to 0.78 in. (20 mm)
- 336.4 Merlin ACSR
- 3/8 in. (10mm) reinforcement bar (Sch 60 rebar)
- 3/8 in. (10mm) stranded guy wire
- 3/8 in. (10mm) Threaded Rod
- These tools are not intended for use in marine applications

Length (With Battery):	15.25 in. (387.35 mm)
Width:	2.95 in. (75 mm)
Depth (With battery):	4.92 in. (125 mm)
Weight (With battery):	5.8 lb. (2.63 kg)
Operating Temperature Range:	14 °F to 104 °F. (-10 °C to 40 °C)
Noise Emissions*	$L_{pA} = 66 \text{ dB(A)}$, $K_{pa} = 1.5 \text{ dB(A)}$ $L_{WA} = 77 \text{ dB(A)}$, $K_{WA} = 2.5 \text{ dB(A)}$
Tool Battery:	18 V MAKITA® LXT® BL 1820, BL 1830, BL 1840, BL 1850, BL 1860
Remote Battery:	AA (LR03)
Battery Charger.....	Read instructions supplied with battery charger.

*Sound and Vibration measurements are measured in accordance with a standardized test per Standard EN62481-1.

Sound and vibration emissions may vary due to your location and specific use of these tools.

L_{pA} does not exceed 70 dB(A).

The vibration total value does not exceed 2.5 m/s².

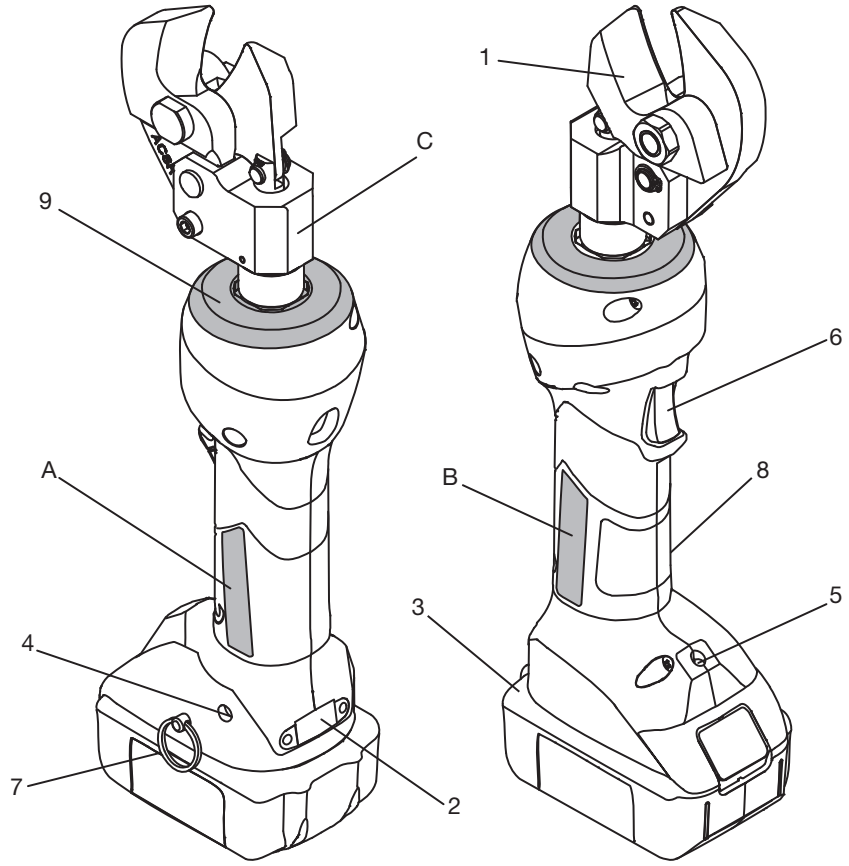
Daily exposure levels for sound and vibration need to be evaluated for each application and appropriate safety measures taken when needed. Evaluation of exposure levels should consider the time a tool is switched OFF and not in use. This may significantly reduce the exposure level over the total working period.

GATOR is a US registered trademark of Greenlee Tools, Inc.

All specifications are nominal and may change as design improvements occur.

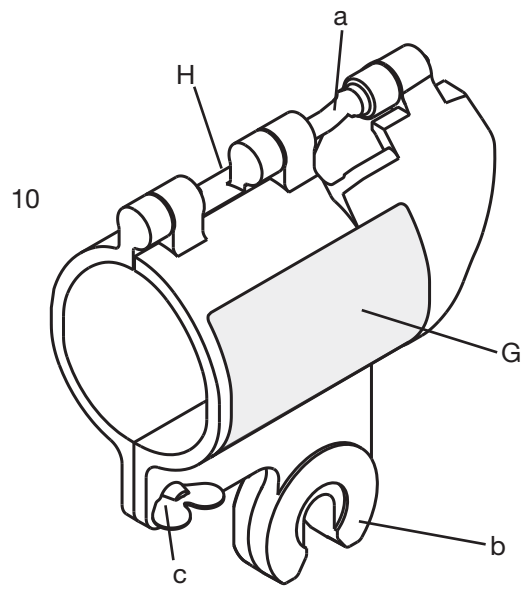
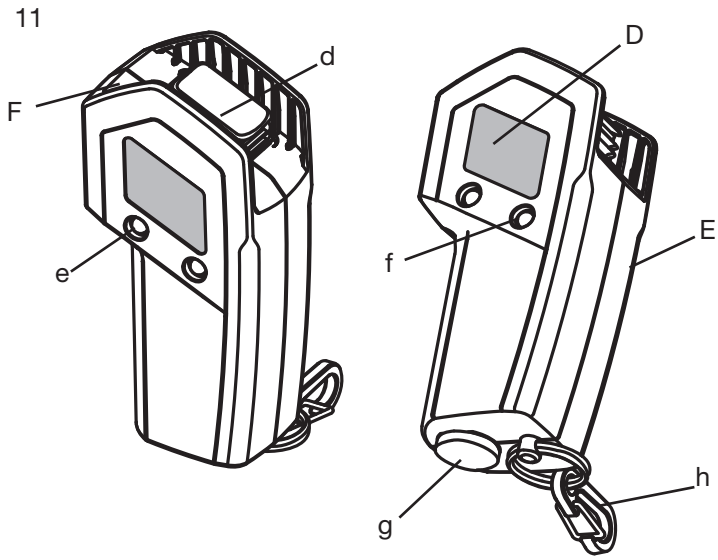
Tool Identification

- 1. Cutting Head
- 2. OLED Screen
- 3. Battery
- 4. LED Indicator (Red)
- 5. LED Work Light (White)
- 6. Trigger
- 7. Lanyard Ring
- 8. Housing
- 9. Remote Tool ID Ring
- 10. Hot Stick Mount
 - a. Trigger Lock
 - b. Universal Spline Adapter
 - c. Wing Nut Lock
- 11. Remote
 - d. Remote Operation Toggle Switch
 - e. Blade Movement LED (Green)
 - f. Wireless Connectivity LED (Blue)
 - g. Battery Port Cover
 - h. Remote Carrying Clip



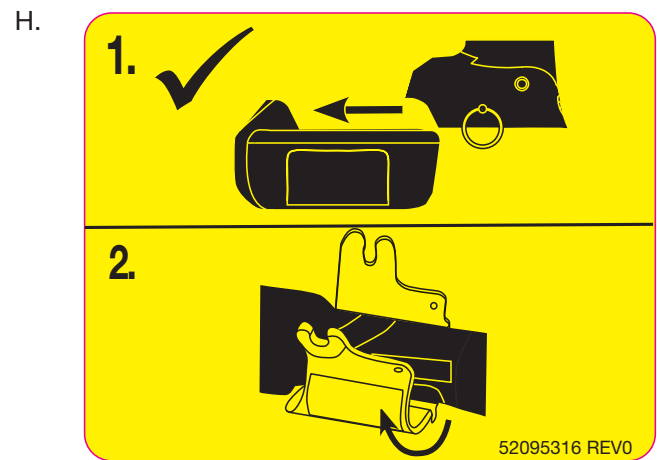
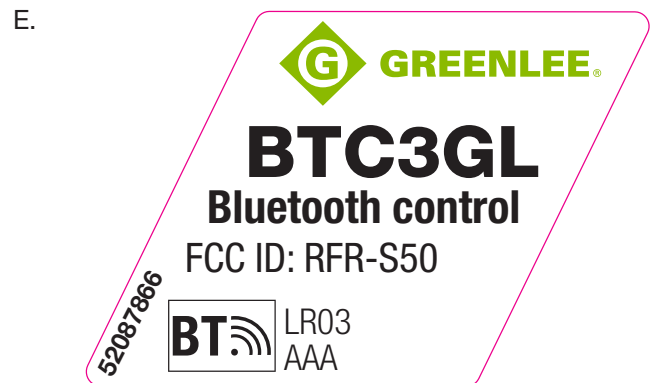
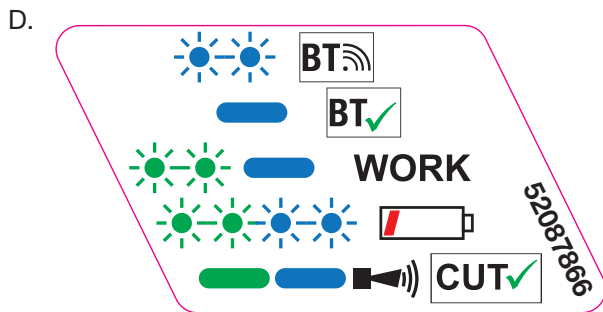
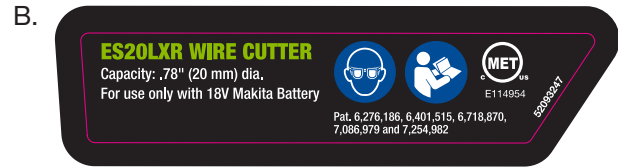
Decals & Markings

- A. Gator® Decal
- B. Model Information Decal
- C. Hazard Decal
- D. Remote LED Guide Decal
- E. Remote Information Decal
- F. Remote ID Etching
- G. Mount Safety Decal
- H. Mount Set Up Decal



Keep all decals clean and legible, and replace when necessary.

Decals & Markings Cont.



LED Signals

Table 1: Tool Indicator LED Signals












Signal	LED (Red)	Meaning	Action
Red LED stays lit for 20 seconds after trigger is released.		Battery Charge Low	Change or charge the battery.
LED will flash for 20 sec. after trigger is released.		Motor current exceeds 20 A during cycle	Let tool cool.
		Tool is Overheated	
Flashing light for 20 sec. at end of cycle.		Internal Error	Send in for Service.


Table 2: Remote LED Signals

Signal	LED		Action
	Green	Blue	
Blue light flashes. Green remains off.			Searching for wireless signal.
Blue light solid. Green remains off.			Wireless signal found and paired.
Green light flashes and blue light is solid.			Tool blade is moving.
Green and blue lights both flash.			Remote battery is low.
Green and Blue LEDs solid.			Cut is complete. <small>(Only for products equipped with end position sensor)</small>

OLED Screen

The OLED screen displays information about the tool and is used to set up operating profiles and display error codes in the event of abnormal operation (See Troubleshooting). Turn on the screen by inserting the battery and pressing the trigger.

Cycle through the various displays using the left and right buttons on either side of the screen. The screens will not cycle after the remote is paired with the tool.

Display	OLED Screen	Information Shown
0		
1	P  XXX PSI \hat{P} XXX PSI	Wireless status, battery charge, current pressure, max. pressure. Press and hold both buttons to change units, select with right button, and confirm by jogging the tool.
2	INFO FW: 2.0 123456AB001	Firmware version, serial number
3	CURRENT USER : 1 SINGLE CLICK MRS+	Profile Mode Select screen to choose between Remote and Handheld profile operations.
4	#ODS #DAYS	Cycles and days until next service.
5	TOTAL : t= 1.35 h Q= 8.87 Ah n= 1560	Elapsed operating hours (T), Ah used (Q), and number of cycles (n) since date of manufacture.

I-Press App

This tool has wireless capability that allows it to communicate with the Greenlee i-press App on your smart device.

1. Install the “i-press Klauke Software Solutions” app from the App Store or Google Play. Open the app on your smart device and select the “Greenlee” option.
2. Switch on the wireless function on your smart device and activate the tool to establish a connection.

The app will allow you to create projects, personalize your tool, display tool pressure readings, battery charge, the last service date, and more.

Instructions how to use the app are shown in the i-press app itself; alternately, request MA6864 brochure from any Greenlee distributor.

If the tool is paired with the remote, it will not connect with the app.



i-Press is a registered trademark of Gustav Klauke GmbH

App Store is a registered trademark of Apple Inc.

Google Play is a registered trademark of GOOGLE INC.

Training & Qualifications

This product is designed for use by professionals trained for working on and around high voltage electrical equipment. If you are not trained in the work methods required for safe operation, do not use this product.

Always follow all training and proper live electricity job site safety precautions outlined by your industry, government, and employer. See also OSHA standard for electric power generation, transmission and distribution (29 CFR 1910.269) and NEC 70E: Standard for Electrical Safety in the Workplace.

When required, such as for installation, removal and repair of lines energized at more than 600V, ensure at least a second trained and qualified person is present at appropriate distance.

Pre-Operation Inspection

⚠ WARNING



- **Remove battery before touching the cutting head or attaching/removing the hot stick adapter.** Your fingers or hands can be crushed, fractured, or amputated if they become caught in the tool head or between the tool head and other objects.
- **Before use, inspect the tool and correct any problems before using to reduce the risk of injury and prevent product damage.** If during inspection, hydraulic oil has leaked from the tool or damage to tool is observed or suspected, do not use the tool. Large forces are generated during use that can break or throw parts and cause injury.

1. Remove battery.
 2. Clean any oil, grease or dirt from the tool body and head, including handles and controls. A clean tool aids inspection.
 3. Inspect for wear and damage, such as cracks, gouges, or chips in tool housing. Do not use if any parts are worn, corroded, rusted, or cracked.
 4. Check the blades for any cracks, gouges, or chips or significant wear. Replace blades that are dull or chipped before operating for a clean cut. Do not sharpen blades, send in for service.
 5. Inspect for leaking hydraulic oil. Do not use if leak is detected, send in for service.
 6. Test the rotation of the head assembly, the head should be free to rotate almost one full turn (330°). If head rotates past a full turn, send in for service.
 7. Check the hot stick adapter damage and the presence of wing nut. Replace if adapter is damaged or wing nut is missing.
 8. Check for proper assembly and completeness, do not use if there are missing or misaligned parts.
 9. Check for the presence and condition of decals.
 10. Inspect and maintain any other equipment being used per its' instructions and is functioning properly.
- If any issues are found, do not use this tool until corrected.

Work Area & Tool Set Up

WARNING

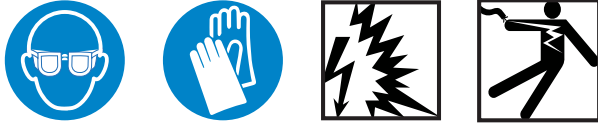


- **Confirm proper operation before and after each use to reduce the risk of injury.**
- **Set up the tool and work area according to these procedures to reduce the risk of injury.**
- **Do not modify tool.** Modifying the tool in any manner may result in personal injury and voidance of the tool's warranty. A head that has been welded, ground, drilled or modified in any manner can break during use. To reduce risk of injury, replace the whole damaged head never individual components. Discard damaged heads using proper disposal methods.

1. Always wear appropriate PPE to reduce the risk of injury.
2. Confirm work area safety (Inspect the job site in accordance with OSHA and Employer work specification requirements and see General Power Tool Safety Warnings). Operate in a clear, level, stable and dry location.
3. Confirm the circuit is de-energized or properly grounded. Follow all workplace procedures for control of hazardous energy to prevent unintended activation while working. Always handle the line as though it is energized. Cutting live cables can result in arc flash, electrocution, or death.
4. Inspect cable to confirm that the cable can be cut by this tool, cutting the wrong type of cable can damage the tool or cause personal injury. (See, Specifications).
5. Make sure the work site is easily recognizable to outside observers to prevent people from coming into the area while the tool is being used. Barriers or cones around work site are some of the ways to do this.
6. For remote use, identify the appropriate hot stick for the operation and inspect per industry guidelines.
7. Make sure all other equipment has been properly inspected.

Tool Operation

⚠ DANGER



- **Never touch any part of the tool while it is in contact with high voltage.** The tool should be considered as at the same voltage as the circuit.
- **Always use proper high voltage procedures, including use of personal protective equipment, when working near or around high voltage equipment or conductors. Remain outside of the arc flash boundary in accordance with NFPA 70E for the conductor being cut to reduce the risk of severe injury.** If you are not trained and familiar with appropriate job site and PPE requirements do not use this tool.
- **Do not use on live electrical lines in handheld mode.** This tool is not insulated, severe injury or death could occur from electric shock and arc flash.
- **Only a person trained in working around and on high voltage electric systems should use this tool.** The voltages these instruments operate at are to be considered live and dangerous and are lethal. Severe injury or death can occur if improperly used.
- **Always use a hot stick and follow rigorous hot stick work practices when using this tool in remote mode, to reduce the risk of injury.**
- **Never allow another high voltage conductor, or grounded point to contact the instrument during use.** Always keep the tool housing clear of all conductors to prevent shorting the circuit and causing an arc flash that could result in severe injury or death.

⚠ WARNING



- **Keep your fingers and hands away from the tool head during the operating cycle. Remove battery before touching the cutting head or attaching/removing the hot stick adapter.** Your fingers or hands can be crushed, fractured, or amputated if they become caught in the tool head or between the tool head and other objects.
- **Do not cut cable under tension.** Cable can whip and strike when cut and result in severe injury or death.

- **Do not stand directly under overhead cables and this tool when attached to a hot stick.** The cable or tool can fall and cause severe injuries or death.
- **One person must control work process and machine operation.** Only the operator should handle the tool and remote to reduce the risk of injury.

ES20LXR has two cutting profiles, handheld and remote. Handheld operation can be used to cut electrical cable or appropriate types of metal rods and wire. (see Specifications) Remote operation allows the operator to be physically separated from the cutting tool when making a cut by using a special paired remote and an appropriate hot stick.

Handheld

Before use, confirm lines to be cut are de-energized or properly grounded.

1. Insert battery.
2. Support the tool from the battery end with both hands to look at the OLED screen on the tool. Press and hold both buttons to view User Select Screen. Cycle through screens using the right button to scroll to the desired profile.
3. Press tool trigger to activate Handheld profile.
4. Support tool and keep hands away from cutting head, double click and hold the trigger for one complete cycle to test the tool. The white LED light will remain on during operation and for 10 seconds after trigger is released.
5. The cutting head will automatically open at the end of a cutting cycle. The blade will not move in the Remote profile without input from the remote.
6. If needed, press, and hold the retract button to return the blade to the open position. Position the tool so the cable is in the open cutting head.
7. Hold tool steady and position tool at a 90° angle to the cable (Fig.1). Do not twist work piece or tool during cutting operation, blade failure could result.

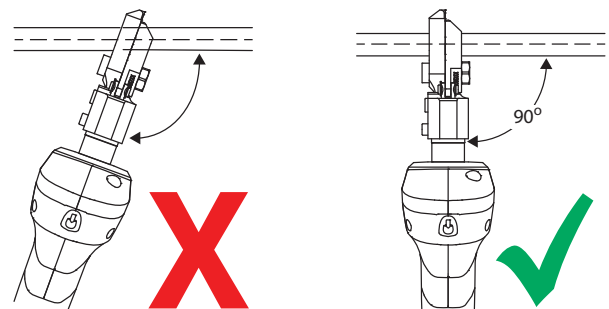


Figure 1

8. Double click and hold trigger until the cut is complete. The cutting process can be interrupted at any time by releasing the trigger and the blade can be retracted with the retract button on the tool.
9. Remove the battery before setting up for another cut or placing tool in storage.

Note: Tool will automatically shut off when idle for 15 min. This will be indicated by countdown on the OLED screen. Pressing the trigger or any buttons will reset the countdown.

Remote

1. Attach the cutter to hot stick.
 - i. Remove Battery before attaching the hot stick mount to the tool. Severe injury can result from unexpected activation of the cutting cycle.
 - ii. Unscrew the wing nut to open the mount.
 - iii. Open the mount and place it around the housing of the In-Line Remote Cutter. Line up the hinge with the trigger. (Fig. 2)

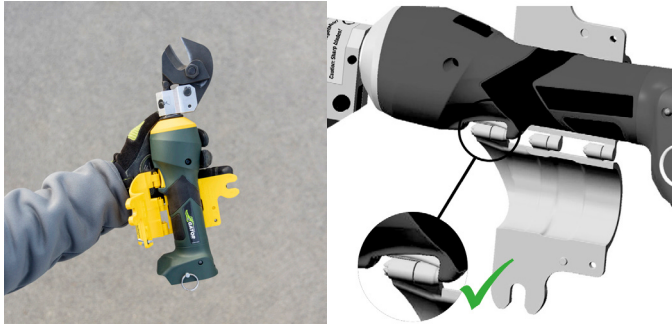


Figure 2

- iv. Close the mount around the handle so that the hinge presses down on the trigger.
- v. Tighten wing nut and screw so the mount is secure and pressing down on the trigger. (Fig. 3)



Figure 3

- vi. Line up hot stick head and hot stick universal spline adapter. (Fig. 4)



Figure 4

- vii. Insert the hot stick mount knob from the tool side and turn enough to attach to the hot stick end. Leave the knob loose enough to allow for adjustment of the position then tighten to engage the teeth to keep the cutter in position. (Fig. 5)

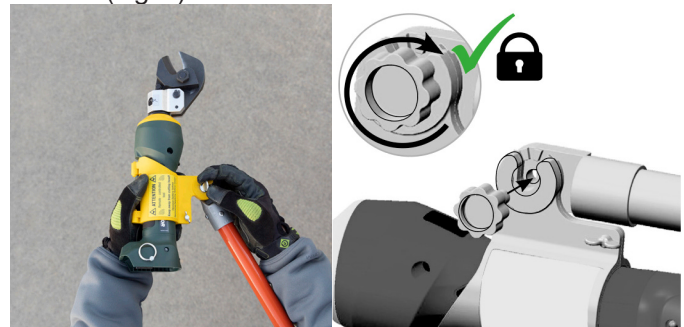


Figure 5

2. Insert battery once tool is secured to the hot stick.
3. Keep hands away from the cutting head and support tool to look at the OLED screen. Press and hold both buttons to view User Select Screen. Cycle through screens using the right button to scroll to the Remote profile.
4. Press the toggle switch on the remote to activate Remote mode. The blue LED on the remote will start flashing.
5. Wait for the ID of the remote to appear on the screen, then press the button next to the name on the OLED screen. The ID of the remote is found in front of the above the remote's signal decal.

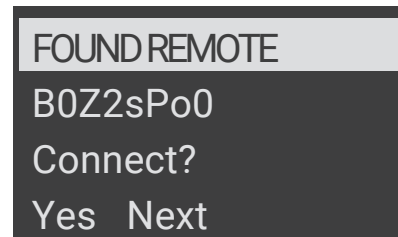


Figure 6

- When prompted by the tool screen, press the remote toggle switch to complete the pairing. The pairing is complete with the blue LED stops flashing and remains solid.

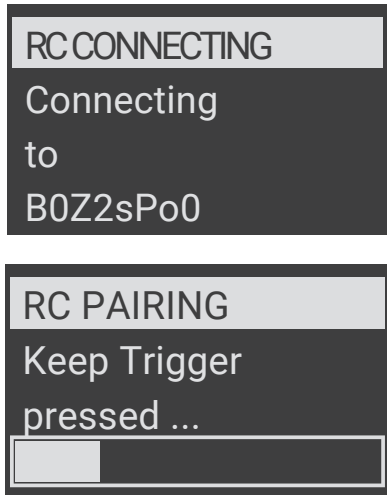


Figure 7

- Double click **Extend** on toggle switch to activate remote operation. (Fig. 8) Test the connection by double clicking and holding the toggle switch. At the end of a cutting cycle the blade will automatically open.

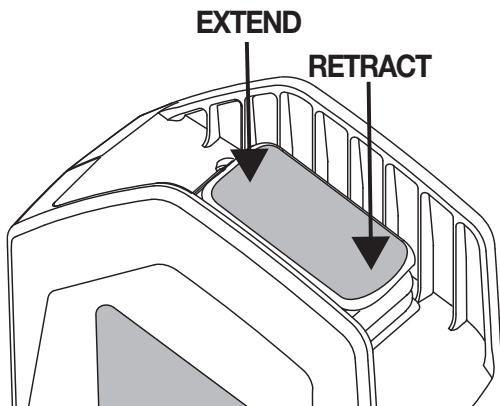


Figure 8

While the blade is moving the green LED on the remote will flash.

- Locate a place to stand that provides a clear view of the cable to be cut and is not directly below the cable.

- Hold the hot stick with both hands and brace the end of the hot stick with your foot or the basket wall to reduce the risk of twisting or losing control of the tool. Extend the hot stick and keep the hot stick angled slightly in front of you (Fig. 9).

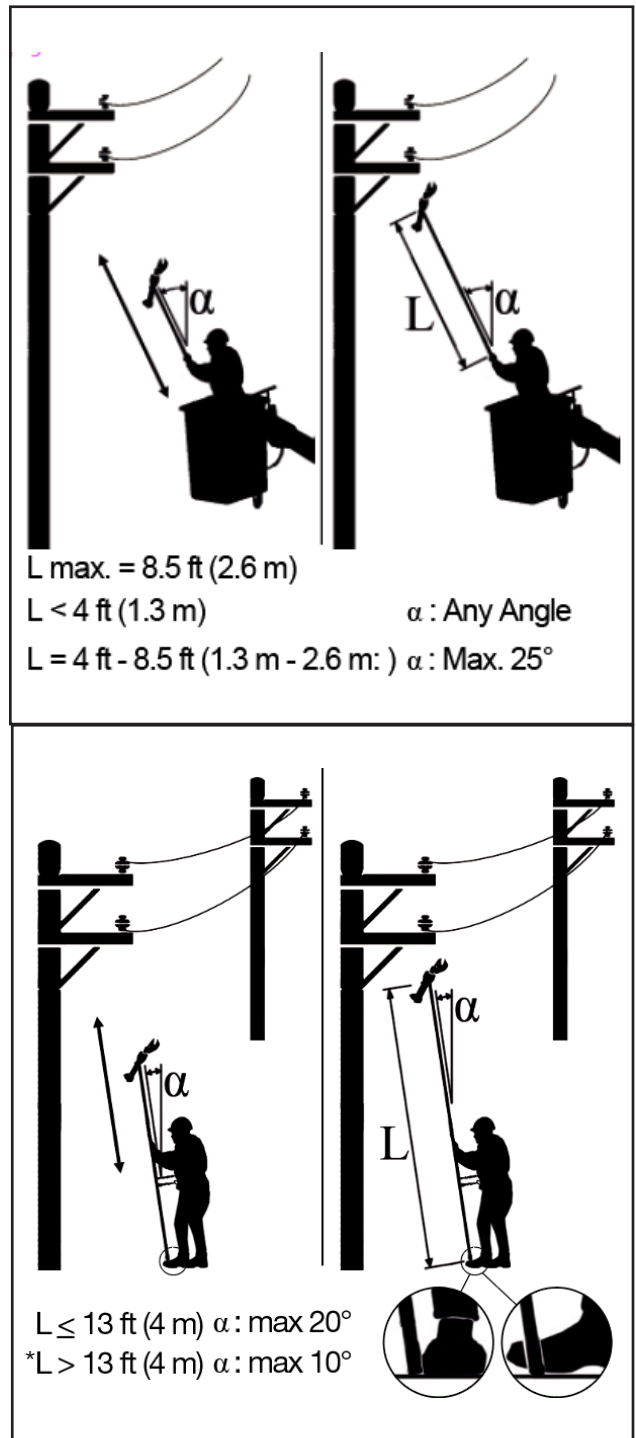


Figure 9

**This tool is not certified for use with hot sticks longer than 13ft (4m). It requires more strength to control the tool on a longer hot stick. Keep the hot stick closer to the body to reduce the risk of losing control and causing injury.*

10. Position the tool at a 90° angle to cable (Fig. 10).

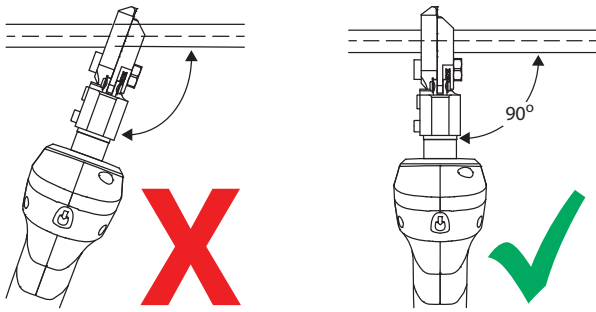


Figure 10

11. Double click **Extend** on the remote toggle until the cut is complete. The cutting process can be interrupted at any time by releasing the toggle and retracted by pressing and holding **Retract**.

If cutting long overhead cables that are potentially energized, pay attention to the current flow and cut the cable in a way that reduces the risk of the energized end of the cable falling. (Fig. 11)

If a cable falls to the ground and is energized, lethal levels of electricity can be present in the ground around where the cable fell. This creates a Live Working Zone containing potentially life-threatening step voltage. Step voltage occurs when a person

walks in the voltage funnel (Fig. 12). They are electrocuted when they put their foot down. The difference in electric potential causes the electricity to pass through their body from the foot of higher voltage to the foot with lower voltage.

The ground will disperse the electricity, meaning the further a person is from where the energized cable touches the ground, the lower the risk lethal levels of electricity is present. The size of the Live Working Zone depends on the voltage from the cable and will increase in size with higher voltage. The Live-Work Minimum Approach Distances from NESC rule 441* (Table 3) provides guidance on the distance the operator and bystanders should stand to be outside of the potential live working zone when cutting cable.

If an area is potentially energized, follow all safety protocols outlined by your employer and national safety organizations to move away from the Live Working Zone into the Vicinity Zone and further.

Remove the battery before setting up for another cut.

Note: The tool will automatically shut down after 30 min. of idleness when in Remote mode. A countdown will show on the OLED screen and will reset when the remote is used or disconnected.

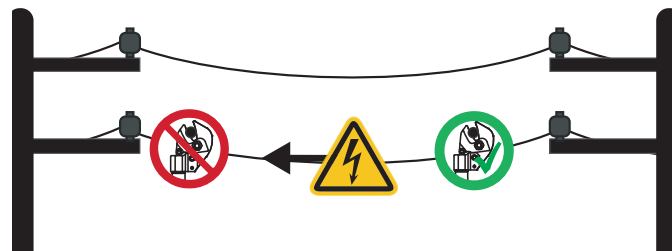


Figure 11

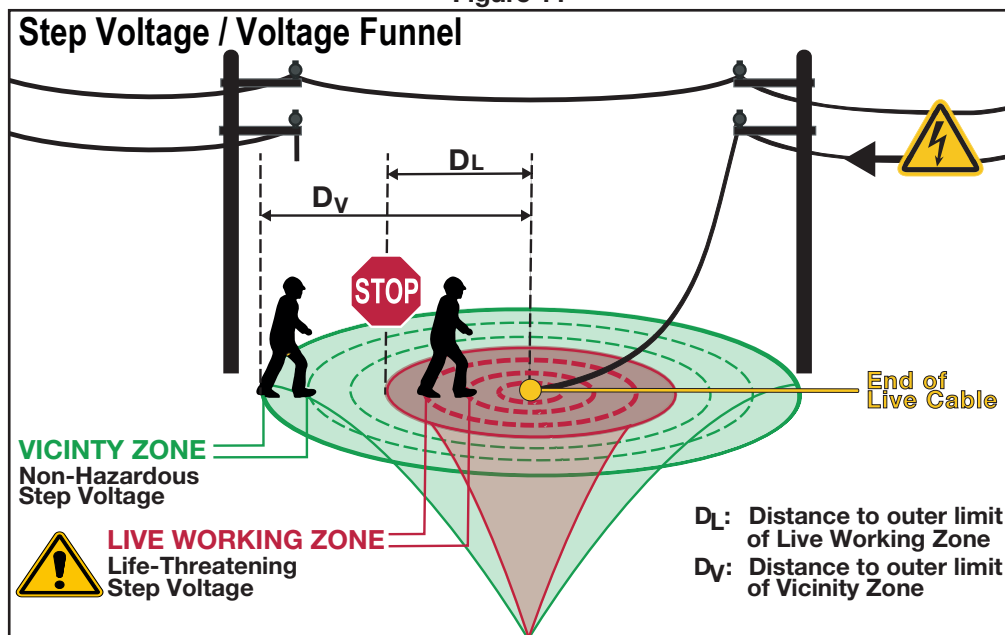


Figure 12

*These tables and figures are meant to provide guidance on operating distances and are not a substitute for proper training or employer safety policies in high voltage working zones.

Table 3: AC Live-Work Minimum Approach Distance (See NESC Rule 441 in its entirety for more details)							
Phase-to-Phase(kV)		Distance to Employee*					
		Phase-to-Ground		Phase-to-Phase ⁺			
Min	Max	(m)	(ft-in)	(m)	(ft-in)		
0	0.050 [□]	Not specified		Not specified			
0.051	0.300 [□]	Avoid contact		Avoid contact			
0.301	0.750 [□]	0.32	1-1				
0.751	15.0	0.64	2-2	0.67	2-3		
15.1	36.0	0.73	2-5	0.87	2-10		
36.1	46.0	0.79	2-7	0.94	3-1		
46.1	72.5	0.89	2-11	1.15	3-9		

Phase-to-Phase (kV)		Distance to Employee from Energized Part*					
		Without Tools ^{♦▲}		With Tools		With Tools	
Max	Min	Phase-to-Ground		Phase-to-Ground		Phase-to-Phase	
		(m)	(ft-in)	(m)	(ft-in)	(m)	(ft-in)
72.6	121.0	0.94	3-1	1.01	3-4	1.37	4-7
121.1	145.0	1.07	3-7	1.15	3-10	1.62	5-4
145.1	169.0	1.20	4-0	1.29	4-3	1.88	6-3
169.1	242.0	1.58	5-2	1.71	5-8	2.77	9-2
242.1	362.0	2.56	8-5	2.75	9-1	4.32	14-3
362.1	550.0	3.38	11-1	3.61	11-11	6.01	19-2
550.1	800.0	4.54	14-11	4.82	15-10	8.87	29-2

*Distances listed are for standard atmospheric conditions. The data used to formulate this table was obtained from test data taken with standard atmospheric conditions. Standard atmospheric conditions are defined as temperatures above freezing, wind less than 15 mi/hr or 24 km/hr, unsaturated air, normal barometer, uncontaminated air, and clean and dry insulators. If standard atmospheric conditions do not exist, extra care must be taken.

□ For single-phase systems, use the highest voltage available.

♦ For single-phase lines off three phase systems, use the phase-to-phase voltage of the system

▲ Inadvertent movement factors used in these tables are as follows:

0.301 kV to 0.750 kV = 1 ft

0.751 kV to 72.5 kV = 2 ft

72.6 kV to 800 kV = 1 ft

◊ For voltages above 72.5 kV, distances are based on altitudes below 900 m (3000 ft) above sea level. For altitudes above 900 m (3000 ft), Rule 441A6 applies.

● Distances were calculated using the following TOV values:

72.6 kV to 362 kV = 3.0

362.1 kV to 550 kV = 2.4

550.1 kV to 800 kV = 2.0

■ For bare hand work where the employee is at line potential, this distance is to an object at a different potential.

◆ Distances for live-line tools in the air gap were calculated by adding a tool factor to the electrical component (IEEE 516 C2 1.1 tool factor).

▲ With tools means a live-line tool bridging the air gap to the employee from the energized part.

+ Phase-to-phase live-line in the air gap values are not available. If this situation exists, an engineering evaluation should be performed.

Troubleshooting

1. Check that the battery is charged. If drained, charge and recheck the battery after several minutes to make sure the battery is holding its charge.
2. Remove battery from tool.
3. Check the tool, see Pre-Operation Inspection.
4. Reinstall the battery and check the tool over again.

Consult the tables below for solutions to troubleshoot possible issues the tool may face. To aid troubleshooting, The Tool Indicator LED Table (pg. 8) explains signals from the red LED on the tool that may occur.

Problem	Possible Cause	Solution
Tool is does not activate when pressing trigger.	Contaminants (dirt, rust etc.) in Cutting Head.	Remove battery and clean tool head thoroughly.
	Components Worn or Damaged	Send in for service.
	Motor is Not Working	Check battery charge and change battery if necessary.
		Check for broken switch components and send in for service.
	Tool Set in Remote Profile	Change profile to Handheld.
	Low or Expired Battery	Charge or Change battery.
Broken Components	Send in for service.	
Tool is does not activate when pressing remote toggle.	Tool in Handheld Profile	Change profile to Remote.
	Wireless Receiver Damaged	Send in for service.
	Another Remote is Paired with Tool	Remove then replace battery to reset and follow steps to set up Remote profile.
Motor runs but tool will not complete a cycle.	Low Oil	Send in for service.
	Air in Hydraulic System	Press trigger and hold retract button simultaneously. Run for approximately 10 seconds, and then attempt to cut. If unsuccessful, contact Greenlee customer service at 800-435-0786 for warranty service or repair.
	Cold Oil	Press trigger and hold retract button simultaneously 10-20 seconds to warm oil. Press trigger and complete a cycle. Repeat until tool completes a cycle successfully.
Red LED glows for 20 seconds.	Low Battery	Charge or replace battery.
Tool loses oil.	Damaged Seal	Send in for service.

Error Code	Meaning	Action
1	Over current fuse	Seek Service
2	Over current comparator	Seek Service
3	Overheated circuit board	Cool Tool
4	Overheated battery	Cool Battery
5	Battery empty: operation stops	Charge Battery
6	Faulty cut; complete cycle	Seek Service
7	Faulty cut; incomplete cycle	Seek Service
8	Low battery	Charge Battery
9	Battery empty	Charge Battery
10	Real-time clock battery low	Seek Service
11	Tool deactivated	Seek Service
12	Service necessary	Seek Service
13	Real-time clock not found	Re-insert Battery Seek Service
14	Wireless Bluetooth® unit not found	Re-insert Battery Seek Service
15	[Not Used]	
16	Pressure sensor not found	Seek Service
17	Pressure exceeded	Seek Service
18	Battery temperature too low	Warm Battery
21	Remote control battery low	Replace Battery

Transportation & Storage

Remove tool from hot stick and the battery from the tool before transporting or storing. Store tool in a cool, dry place in the provided case with the remote.

Service

WARNING

- **Tool service must be performed only by qualified repair personnel.** Service or maintenance performed by unqualified personnel could result in a risk of injury.
- **When servicing a tool, use only identical replacement parts.** Use of unauthorized parts or failure to follow service instructions may create a risk of electric shock or injury.

At either 3 years or 10,000 cycles, schedule a factory service maintenance. Factory service includes general inspections, replacement of tool's di-electric hydraulic oil and testing of tool by trained technicians.

When the Factory Service Date is approaching or arrived, contact Greenlee Customer Service. Expedited shipping is available.

Maintenance

WARNING

- **Remove battery before touching the cutting head or attaching/removing the hot stick adapter.** Your fingers or hands can be crushed, fractured, or amputated if they become caught in the tool head or between the tool head and other objects.
- **Maintain this tool according to these procedures.** Do not perform any maintenance other than as described in this manual. Personal injury or damage to the tool may result.
- **Do not modify tool.** Modifying the tool in any manner may result in personal injury and damage to the tool. A tool with a cutting head that has been welded, ground, drilled or modified in any manner can break during use and throw parts that could result in severe injury or death.

Remove battery before performing any maintenance.

Clean the housing with a damp cloth and mild detergent after every use. Allow tool to dry completely before replacing battery.

Do not attempt to open the tool. It contains no user-serviceable parts.

Optional Equipment and Repair Parts

Repair Kits

CAT #	Description
BTC3-CK	BHT CONV KIT
BTC3GL	REMOTE CONTROL, BHT CONTROL
BTC3-TJ	HOT STICK ADAPTER
52177	BATTERY, 18V LI ION 2.0AH(PKG)
52178	CHARGER, BATTERY 120V (PKGD)
52179	CHARGER, BATTERY 230V (PKGD)
52180	CHARGER, BATTERY 12V (PKGD)
CP1	POUCH (PKGD)

Disposal

Parts of these tools contain valuable materials and can be recycled. There are companies that specialize in recycling that may be found locally. Dispose of the components in compliance with all applicable regulations. Contact your local waste management authority for more information.



For EU Countries: Do not dispose of electrical equipment with household waste! According to the European Guideline 2012/19/EU for Waste Electrical and Electronic Equipment and its implementation into national legislation, electrical equipment that is no longer usable must be collected separately and disposed of in an environmentally correct manner.

Required Statements

Model ES20LXR—FCC ID: RFR-S50; IC ID: 4957A-S50

USA requirements:

Responsible party: Greenlee Tools, Inc. Rockford, IL 61109 USA

Note: This equipment has been tested and found to comply with the limits for a Class A digital device, pursuant to Part 15 of the FCC Rules. These limits are designed to provide reasonable protection against harmful interference when the equipment is operated in a commercial environment. This equipment generates, uses, and can radiate radio frequency energy and, if not installed and used in accordance with the instruction manual, may cause harmful interference to radio communications. Operation of this equipment in a residential area is likely to cause harmful interference in which case the user will be required to correct the interference at his own expense.

This device complies with the RF exposure SAR test exclusion requirements for portable devices if a minimum separation distance is kept. However, the device shall be used in such a manner that the potential for human contact during normal operation is minimized.

Canada requirements:

This device complies with Industry Canada's license-exempt RSSs. Operation is subject to the following two conditions:

- (1) This device may not cause interference; and*
- (2) This device must accept any interference, including interference that may cause undesired operation of the device.*

Le présent appareil est conforme aux CNR d'Industrie Canada applicables aux appareils radio exempts de licence. L'exploitation est autorisée aux deux conditions suivantes:

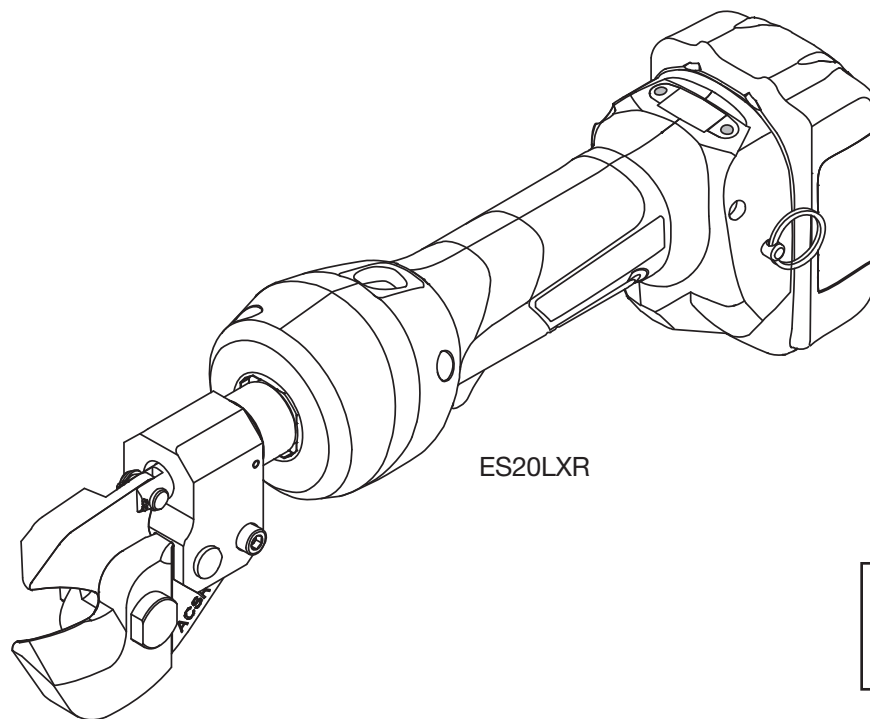
- 1) l'appareil ne doit pas produire de brouillage;*
- 2) l'utilisateur de l'appareil doit accepter tout brouillage radioélectrique subi, même si le brouillage est*

MANUAL DE INSTRUCCIONES

COPIA DE INSTRUCCIONES ORIGINALES



Registre el número de serie aquí



ES20LXR

English	1-20
Français	41-60
Português	61-80

Cortador de cables en línea remoto con control remoto inalámbrico



Lea y comprenda todas las instrucciones y la información de seguridad en este manual antes de hacer funcionar esta herramienta o realizar tareas de mantenimiento.

CONSERVE ESTE MANUAL

Índice

Clave de símbolos de seguridad.....	23
Advertencias generales de seguridad*.....	24
Información de seguridad específica de la herramienta.....	25
Información de contacto de Greenlee.....	26
Descripción de la herramienta.....	27
Especificaciones.....	27
Identificación de la herramienta.....	28
Adhesivos y ubicaciones.....	29
Señales LED indicadoras de la herramienta.....	30
Señales LED del control remoto.....	30
Pantalla OLED.....	30
Aplicación I-Press.....	31
Capacitación y cualificaciones.....	31
Inspección previa a la operación.....	31
Preparación del área de trabajo y de la herramienta.....	32
Operación de la herramienta.....	33
Uso manual.....	33
Uso remoto.....	34
Resolución de problemas.....	38
Transporte y almacenamiento.....	39
Servicio.....	39
Mantenimiento.....	39
Equipamiento opcional y piezas de repuesto.....	39
Eliminación.....	40
Declaraciones obligatorias.....	40

GUARDE ESTAS INSTRUCCIONES

Clave de los símbolos de seguridad

En este manual del operador y en el producto, los símbolos de seguridad y las advertencias impresas se utilizan para comunicar información importante de seguridad. Esta sección permite mejorar la comprensión de estas palabras y símbolos de señalización.



Este es el símbolo de alerta de seguridad. Se utiliza para advertirle sobre peligros potenciales de lesiones. Observe todos los mensajes de seguridad que aparecen después de este símbolo para evitar posibles lesiones o la muerte.

⚠ PELIGRO

indica una situación peligrosa que si no se evita, OCASIONARÁ la muerte o lesiones graves.

⚠ ADVERTENCIA

indica una situación peligrosa que si no se evita, PODRÍA causar la muerte o lesiones graves.

⚠ PRECAUCIÓN

indica peligros o prácticas no seguras que si no se evitan, PUEDEN causar lesiones o daños materiales.



Este símbolo significa que debe leer atentamente el manual del operador antes de utilizar el equipo. El manual del operador contiene información importante sobre la operación segura y apropiada del equipo.



Este símbolo significa que siempre debe usar gafas de seguridad con protectores laterales o anteojos al manipular o utilizar este equipo para reducir el riesgo de lesiones oculares.



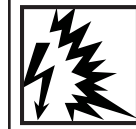
Siempre colóquese guantes cuando manipule o utilice este equipo para reducir el riesgo de lesiones.



Este símbolo significa que siempre debe colocarse protección en los oídos al utilizar este equipo para reducir el riesgo de lesiones.



Este símbolo indica el riesgo de descarga eléctrica.



Este símbolo indica riesgo de arco eléctrico.



Este símbolo indica el riesgo de que los componentes se rompan y golpeen al personal circundante.



Este símbolo indica el riesgo de latigazo con una manguera o cuerda, que puede causar lesiones por golpes.



Este símbolo indica el riesgo de lesiones por caída de objetos.



Este símbolo indica el riesgo de corte o amputación de las manos, los dedos u otras partes del cuerpo si quedan atrapadas entre elementos cortantes.

Advertencias generales de seguridad*
⚠ ADVERTENCIA


Lea todas las advertencias, las instrucciones, las ilustraciones y las especificaciones de seguridad suministradas con esta herramienta eléctrica. Si no sigue todas las instrucciones indicadas a continuación puede provocar descargas eléctricas, incendio o lesiones graves.

GUARDE TODAS LAS ADVERTENCIAS Y LAS INSTRUCCIONES PARA REFERENCIA FUTURA.

El término “herramienta eléctrica” en las advertencias indicadas a continuación se refiere a sus herramientas eléctricas accionadas con cordón eléctrico y a las herramientas accionadas con baterías (inalámbricas).

SEGURIDAD DEL ÁREA DE TRABAJO

- **Mantenga el área de trabajo limpia y bien iluminada.** Las áreas desordenadas u oscuras pueden provocar accidentes.
- **No use herramientas eléctricas en atmósferas explosivas, como en presencia de líquidos, gases o polvos inflamables.** Las herramientas eléctricas generan chispas que pueden encender el polvo o los vapores.
- **Mantenga alejados a los niños y transeúntes mientras opera una herramienta eléctrica.** Las distracciones pueden causar la pérdida del control.

SEGURIDAD EN MATERIA DE ELECTRICIDAD

- **Los enchufes de la herramienta eléctrica deben coincidir con los agujeros en el tomacorriente. Nunca modifique el enchufe de ninguna manera.** No utilice ningún enchufe adaptador con herramientas eléctricas con conexión a tierra. Los enchufes sin modificación y sus tomacorrientes correspondientes reducen el riesgo de descarga eléctrica.
- **Evite el contacto corporal con superficies conectadas a tierra, como tuberías, radiadores, cocinas y refrigeradores.** Existe un mayor riesgo de descarga eléctrica si el cuerpo está en contacto con superficies conectadas a tierra.
- **No esponga las herramientas eléctricas a la lluvia ni a condiciones de humedad.** El agua que entra en una herramienta eléctrica aumenta el riesgo de descarga eléctrica.
- **No use indebidamente el cable. Nunca use el cable para transportar, tirar de o desenchufar la herramienta eléctrica.** Mantenga el cable alejado del calor, aceite, bordes afilados y piezas móviles. Los cables dañados o enredados aumentan el riesgo de descarga eléctrica.
- **Cuando opere una herramienta eléctrica en el exterior, use un cable de extensión adecuado para uso en exteriores.** El uso de un cable adecuado para uso en exteriores reduce el riesgo de electrocución.
- **Si es inevitable utilizar la herramienta eléctrica en una ubicación húmeda, use una alimentación**

eléctrica protegida con un dispositivo de corriente residual (**Residual Current Device, RCD**). El uso de un RCD reduce el riesgo de descarga eléctrica.

SEGURIDAD PERSONAL

- **Manténgase alerta, preste atención a lo que está haciendo y utilice el sentido común al operar una herramienta eléctrica.** No use una herramienta eléctrica cuando esté cansado o bajo la influencia de drogas, alcohol o medicamentos. Un momento de descuido mientras opera herramientas eléctricas podría provocar lesiones graves.
- **Use equipo de protección personal (Personal Protective Equipment, PPE).** Use siempre protección ocular. Los equipos de protección, como las mascarillas contra polvo, los zapatos de seguridad antideslizantes, los cascos de seguridad o protección auditiva, utilizados para las condiciones apropiadas pertinentes reducirán la probabilidad de lesiones.
- **Evite la puesta en marcha no intencional.** Asegúrese que el interruptor esté en la posición de apagado antes de conectar la alimentación eléctrica o el paquete de BATERÍAS, levantar la herramienta o transportarla. Transportar herramientas eléctricas con el dedo en el interruptor o conectar herramientas eléctricas con el interruptor en la posición de encendido aumenta la probabilidad de accidentes.
- **Quite cualquier llave de ajuste o llave para tuercas antes de encender la herramienta eléctrica.** Una llave para tuercas o la llave de ajuste que se deje acoplada a una pieza rotativa de la herramienta eléctrica pueden provocar lesiones personales.
- **No se extralimite.** Párese siempre firmemente y mantenga el equilibrio. Esto permite un mejor control de la herramienta eléctrica en situaciones inesperadas.
- **Use vestimenta adecuada.** No utilice vestimenta holgada ni joyas. Mantenga el cabello, la vestimenta y los guantes alejados de las piezas móviles. La vestimenta holgada, las joyas o el cabello largo pueden quedar atrapados en las piezas móviles.
- **Si se suministran dispositivos para la conexión de extracción de polvo y aditamentos recolectores, asegúrese de que estos se encuentren conectados debidamente y se usen correctamente.** La recolección de polvo puede reducir los peligros relacionados con el polvo.
- **No permita que la familiaridad obtenida con el uso frecuente de las herramientas eléctricas le haga sentirse confiado e ignorar los principios de seguridad de esas herramientas.** Un descuido puede causar una lesión grave en una fracción de segundo.

USO Y CUIDADO DE LAS HERRAMIENTAS ELÉCTRICAS

- **No fuerce la herramienta eléctrica.** Use la herramienta eléctrica apropiada para su aplicación. La herramienta eléctrica apropiada hará mejor el trabajo, de manera más segura y a la velocidad para la que fue diseñada.
- **No use la herramienta eléctrica si no puede encenderla o apagarla con el interruptor.** Cualquier herramienta que no se pueda controlar con el interruptor es peligrosa y debe repararse.

- **Desconecte el enchufe de la fuente de alimentación eléctrica y/o desconecte el paquete de BATERÍAS (si es extraíble) de la herramienta eléctrica antes de hacer cualquier ajuste, cambiar accesorios o guardar las herramientas eléctricas.** Estas medidas de seguridad preventiva reducen el riesgo de encender accidentalmente la herramienta eléctrica.
- **Guarde las herramientas eléctricas apagadas lejos del alcance de los niños y no permita que personas que no conozcan la herramienta eléctrica o estas instrucciones operen la herramienta eléctrica.** Las herramientas eléctricas son peligrosas en las manos de usuarios sin capacitación.
- **Dé mantenimiento a las herramientas eléctricas y los accesorios.** Verifique que las piezas móviles no estén desalineadas o atascadas, que los componentes no estén rotos y que no haya ninguna otra condición que pueda afectar el funcionamiento de la herramienta eléctrica. Si la herramienta eléctrica está dañada, haga que la reparen antes de usarla. Muchos accidentes ocurren por herramientas eléctricas con mantenimiento deficiente.
- **Mantenga las herramientas de corte bien afiladas y limpias.** Las herramientas de corte que reciben el mantenimiento debido, con bordes de corte afilados, tienen menos probabilidades de atascarse y son más fáciles de controlar.
- **Utilice la herramienta eléctrica, los accesorios y las brocas de herramientas, etc. de conformidad con estas instrucciones, considerando las condiciones de trabajo y la tarea que se realizará.** El uso de la herramienta eléctrica para operaciones para las que no fue diseñada podría provocar una situación peligrosa.
- **Mantenga las manijas y las superficies de agarre secas, limpias y libres de aceite y grasa.** Las manijas y las superficies de agarre resbalosas no garantizan la seguridad en la manipulación y el control de la herramienta en situaciones inesperadas.

USO Y CUIDADO DE LA HERRAMIENTA A BATERÍA

- **Cargue la unidad solamente con el cargador especificado por el fabricante.** Un cargador que sea adecuado para un tipo de paquete de BATERÍAS puede crear un riesgo de incendio cuando se utiliza con otro tipo de paquete de BATERÍAS.
- **Use la herramienta eléctrica solamente con paquetes de BATERÍAS específicamente designados.** El uso de cualquier otro paquete de BATERÍAS puede crear un riesgo de lesión e incendio.
- **Cuando el paquete de BATERÍAS no está en uso, manténgalo alejado de objetos metálicos como sujetapapeles, monedas, llaves, clavos, tornillos u otros objetos metálicos pequeños que puedan establecer la conexión de un terminal a otro.** El cortocircuito entre los terminales de la BATERÍA puede causar quemaduras o un incendio.
- **En condiciones de uso indebido, puede salir líquido de la BATERÍA; evite el contacto.** Si ocurre un contacto accidental, enjuáguese con agua. Si el líquido entra en contacto con los ojos, procure atención médica. El líquido expulsado de la BATERÍA puede causar irritación o quemaduras.

- **No utilice un paquete de BATERÍAS o una herramienta que tenga daños o modificaciones.** Las baterías dañadas o modificadas pueden presentar un comportamiento impredecible, lo que provoca incendio, EXPLOSIÓN o riesgo de lesiones.
- **No exponga un paquete de BATERÍAS o una herramienta al fuego o a una temperatura excesiva.** La exposición al fuego o a temperaturas superiores a 265 °F (130 °C) puede causar explosiones.
- **Siga todas las instrucciones de carga y no cargue el paquete de BATERÍAS o la herramienta fuera del intervalo de temperatura especificado en las instrucciones.** La carga inadecuada o a temperaturas fuera del intervalo especificado puede dañar la batería y aumentar el riesgo de incendio.

SERVICIO

- **Pídale a un técnico calificado, que utilice solamente repuestos idénticos, que repare su herramienta eléctrica.** De este modo, se garantiza que se mantenga la seguridad de la herramienta eléctrica.
- **Nunca realice tareas de mantenimiento en paquetes de baterías dañados.** El mantenimiento de los paquetes de baterías solo debe ser realizado por fabricantes o proveedores de servicio autorizados.

** El texto utilizado en la sección Advertencias generales de seguridad con herramientas eléctricas de este manual es obligatorio en conformidad con la norma EN 62841-1 correspondiente con la que se prueba esta herramienta. Esta sección contiene procedimientos generales de seguridad para distintos tipos de herramientas eléctricas. No todas las precauciones aplican a todas las herramientas, y algunas pueden no aplicar a esta herramienta.*

Información de seguridad específica de la herramienta

⚠ PELIGRO



La seguridad es esencial al utilizar y mantener las herramientas y los equipos de Greenlee. Este manual de instrucciones y cualquier marca en la herramienta proporcionan información para evitar peligros y prácticas poco seguras relacionadas con el uso de esta herramienta. Observe toda la información de seguridad de este manual.

Antes de operar esta herramienta, lea y comprenda lo siguiente:

- Este manual del operador
- Las instrucciones para cualquier otro equipo o material utilizado con esta herramienta
- Las marcas en la herramienta
- Los procedimientos de seguridad obligatorios en el lugar de trabajo

Si no sigue todas las instrucciones y advertencias, podrían producirse lesiones graves.

- **Nunca toque una parte de la herramienta mientras esté en contacto con alta tensión.** Debe tener en cuenta que la herramienta tiene la misma tensión que el circuito.

- **Siga siempre los procedimientos adecuados sobre alta tensión, incluido el uso del equipo de protección personal, cuando trabaje cerca o alrededor de equipos o conductores de alta tensión. Permanezca fuera del límite del arco eléctrico de acuerdo con NFPA 70E mientras se corta el conductor para reducir el riesgo de lesiones graves.** No utilice esta herramienta si no está capacitado ni familiarizado con los requisitos de obra y PPE adecuados.
- **No utilice la herramienta en cables eléctricos energizados en modo manual.** Esta herramienta no está aislada, pueden producirse lesiones graves o la muerte debido a descargas eléctricas y arco eléctrico.
- **Solo una persona capacitada para trabajar con sistemas eléctricos de alta tensión debe utilizar esta herramienta.** Las tensiones a las que operan estos instrumentos se consideran activas y peligrosas, y son letales. Puede provocar lesiones graves o la muerte si se utiliza de manera incorrecta.
- **Utilice siempre una pértiga aislante y siga las rigurosas prácticas de trabajo de esta herramienta cuando se utiliza en modo remoto, para reducir el riesgo de lesiones.**
- **Nunca permita que otro conductor de alta tensión, o punto de conexión a tierra, entre en contacto con el instrumento durante el uso.** Mantenga siempre la carcasa de la herramienta alejada de todos los conductores para evitar cortocircuitos en el circuito y provocar un arco eléctrico que podría ocasionar lesiones graves o la muerte.

No seguir estas advertencias provocará lesiones graves o la muerte.

⚠ ADVERTENCIA



- **Mantenga los dedos y las manos lejos del cabezal de la herramienta durante el ciclo de operación. Retire la batería antes de tocar el cabezal de corte o de conectar/quitar el adaptador de la pértiga aislante.** Existe riesgo de aplastamiento, fractura o amputación de los dedos o las manos si quedan atrapados en el cabezal de la herramienta o entre el cabezal de la herramienta y otros objetos.
- **No corte cables que tengan tensión.** El cable puede causar latigazos y golpes cuando se corta y provocar lesiones graves o la muerte.
- **No se coloque directamente debajo de los cables elevados y de esta herramienta cuando se conecte a una pértiga aislante.** El cable o herramienta pueden caerse y provocar lesiones graves o la muerte.
- **Una persona debe controlar el proceso de trabajo y el funcionamiento de la herramienta.** Solo el operador debe manipular la herramienta y el control remoto para reducir el riesgo de lesiones.

- **No modifique la herramienta.** Hacer una modificación puede ocasionar lesiones personales y daños a la herramienta. Una herramienta con un cabezal de corte que haya sido soldado, molido, perforado o modificado de cualquier manera puede romperse durante el uso y arrojar piezas que podrían ocasionar lesiones graves o la muerte.
- **Antes del uso, inspeccione la herramienta y solucione cualquier problema antes de utilizarla para reducir el riesgo de lesiones y evitar daños en el producto.** Si durante la inspección observa o sospecha que hay daños en la herramienta o fuga de aceite hidráulico, no utilice la herramienta. Durante el uso se generan fuerzas de gran magnitud que pueden romper o expulsar piezas y causar lesiones.
- **Confirme el funcionamiento adecuado antes y después de cada uso para reducir el riesgo de sufrir lesiones.**
- **Configure la herramienta y el área de trabajo de acuerdo con estos procedimientos para reducir el riesgo de lesiones.**

No seguir estas advertencias podría provocar lesiones graves o la muerte.

Información de contacto de Greenlee

En caso de que tenga alguna pregunta, necesite coordinar un servicio o comprar piezas o accesorios para este producto de Greenlee/HDE: póngase en contacto con su distribuidor local de Greenlee o con el Centro de Atención al Cliente de Greenlee.

Puede descargar copias adicionales de este manual en www.greenlee.com

Servicio de Atención al Cliente de Greenlee

EE. UU.: 1-800-435-0786 | Canadá: 800-435-0786

Internacional: +1-815-397-7070

GRNCustomerService@emerson.com

Dirección de envío:

Greenlee Factory Service Center

4411 Boeing Dr., Rockford, IL 61109

Descripción de la herramienta

El cortador de cables remoto en línea ES20LXR con control remoto inalámbrico permite cortar cables trenzados de cobre y aluminio, así como cables ACSR, tanto de forma remota como manual. Esta herramienta se puede montar en una pértiga aislante para trabajar en y alrededor de líneas de alimentación de alta tensión.

Características

- Perfiles de operación remota y manual
- Montaje para pértiga aislante
- Control remoto inalámbrico
- Conexión con la aplicación I-Press de Greenlee
- Pantalla OLED
- Botón de retracción
- Freno de solenoide magnético
- Retracción automática de la cuchilla
- Cabezal con rotación de 330°

Especificaciones

ES20LXR

Capacidad de corte:

- Cable de cobre y aluminio de hasta 0,78 in (20 mm)
- ACSR 336,4 Merlin
- Barra de refuerzo de 3/8 in (10 mm) (Barra de refuerzo Sch 60)
- Cable de sujeción trenzado de 3/8 in (10 mm)
- Jabalina trenzada de 3/8 in (10 mm)
- Estas herramientas no están diseñadas para utilizarse en aplicaciones marinas.

Largo (con batería):	15,25 in (387,35 mm)
Ancho:	2,95 in (75 mm)
Profundidad (con batería):	4,92 in (125 mm)
Peso (con batería):	5,8 lb (2,63 kg)
Intervalo de temperatura funcional:	14 °F a 104 °F (-10 °C a 40 °C)
Emisiones de ruido*	$L_{pA} = 66 \text{ dB(A)}$, $K_{pA} = 1,5 \text{ dB(A)}$ $L_{WA} = 77 \text{ dB(A)}$, $K_{WA} = 2,5 \text{ dB(A)}$
Batería de la herramienta:	18 V MAKITA® LXT® BL 1820, BL 1830, BL 1840, BL 1850, BL 1860
Batería del control remoto:	AA (LR03)
Cargador de batería	Lea las instrucciones que se incluyen con el cargador de batería.

* Las mediciones de sonido y vibración se miden de acuerdo con una prueba estandarizada según la norma EN62481-1.

Las emisiones de ruido y vibración pueden variar debido a su ubicación y al uso específico de estas herramientas.

L_{pA} no supera 70 dB(A).

El valor total de las vibraciones no supera 2,5 m/s².

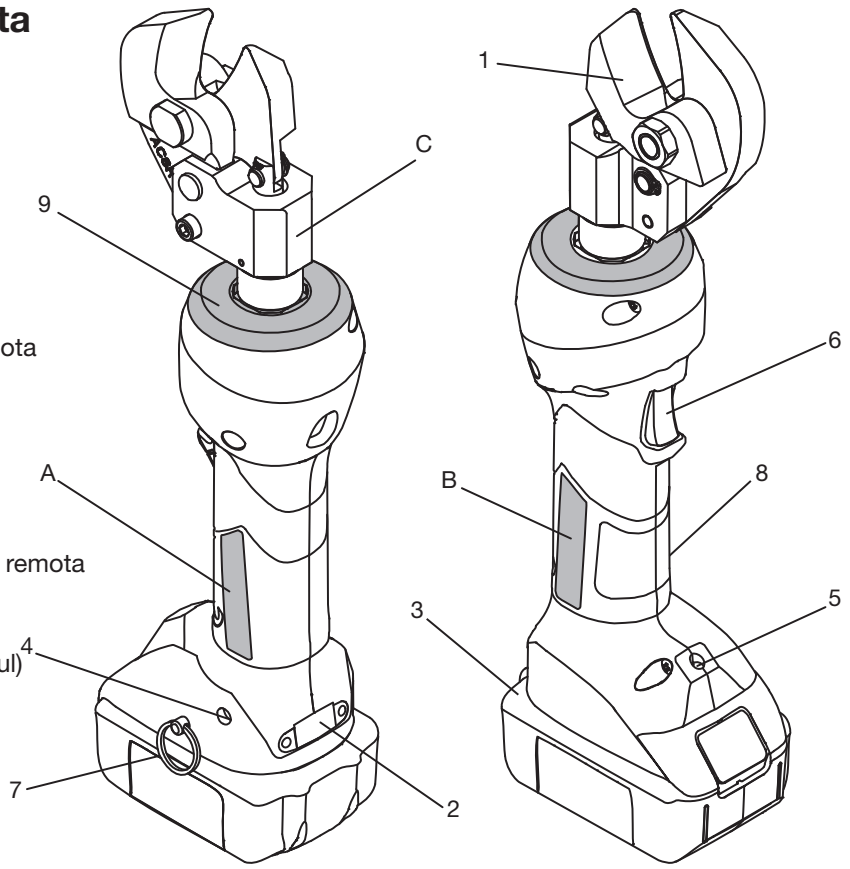
Es necesario evaluar los niveles diarios de exposición al ruido y la vibración para cada aplicación y tomar las medidas de seguridad adecuadas cuando sea necesario. En la evaluación de los niveles de exposición debe considerarse el momento en que una herramienta se APAGA y no se está utilizando. Esto puede reducir significativamente el nivel de exposición durante el período de trabajo total.

GATOR es una marca estadounidense registrada de Greenlee Tools, Inc.

Todas las especificaciones son nominales y pueden cambiar a medida que se introduzcan mejoras en el diseño.

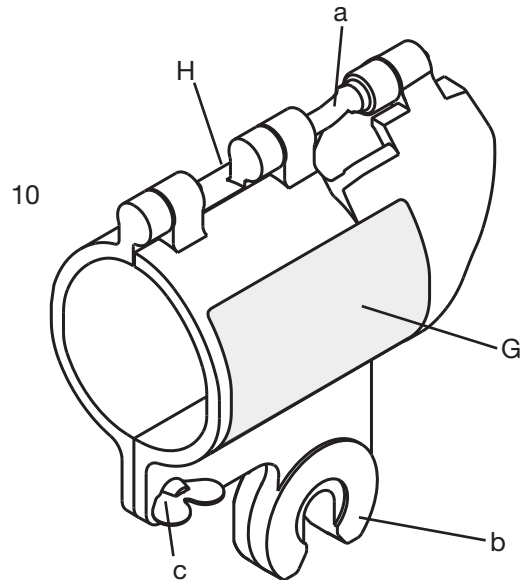
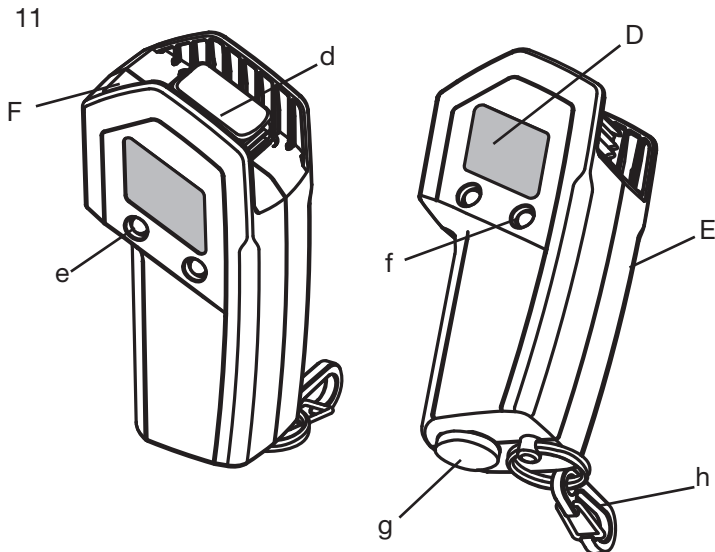
Identificación de la herramienta

1. Cabezal de corte
2. Pantalla OLED
3. Batería
4. Indicador LED (rojo)
5. Luz de trabajo LED (blanca)
6. Gatillo
7. Anillo para el cordón
8. Carcasa
9. Aro de identificación de la herramienta remota
10. Montaje para pértiga aislante
 - a. Seguro del gatillo
 - b. Adaptador para ranura universal
 - c. Bloqueo de tuerca mariposa
11. Control remoto
 - d. Interruptor de palanca de operación remota
 - e. LED de movimiento de la cuchilla (verde)
 - f. LED de conectividad inalámbrica (azul)
 - g. Cubierta del puerto de la batería
 - h. Pinza de transporte del control remoto



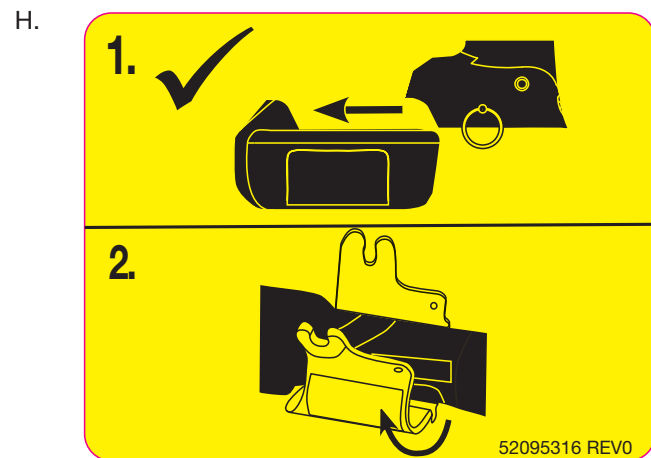
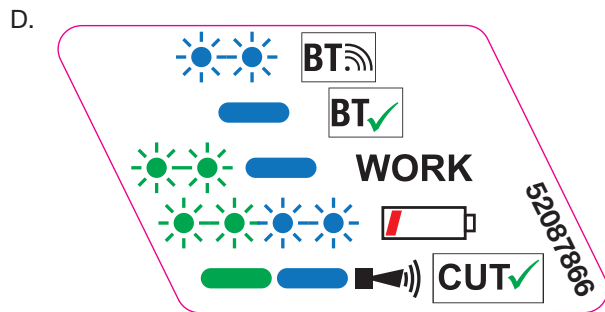
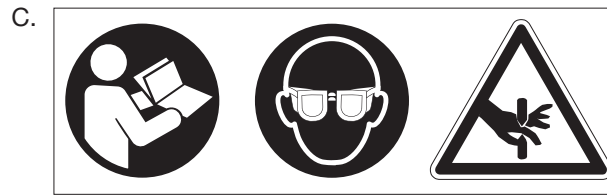
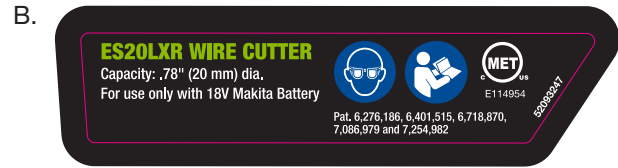
Adhesivos y marcas

- A. Adhesivo Gator®
- B. Adhesivo de información del modelo
- C. Adhesivo de peligro
- D. Adhesivo de guía LED del control remoto
- E. Adhesivo de información del control remoto
- F. Grabado de identificación del control remoto
- G. Adhesivo de seguridad del soporte
- H. Adhesivo de configuración del soporte



Mantenga todos los adhesivos limpios y legibles, y sustitúyalos cuando sea necesario.

Adhesivos y marcas (cont.)



Tablas de LED y pantalla OLED

Tabla 1: Señales LED indicadoras de la herramienta












Señal	LED (rojo)	Significado	Procedimiento
La luz LED roja permanece encendida durante 20 segundos después de soltar el gatillo.		Batería con poca carga	Reemplace o cargue la batería.
La luz LED parpadea durante 20 segundos después de soltar el gatillo.		La corriente del motor ha superado los 20 A durante el ciclo	Deje que se enfríe la herramienta.
		La herramienta se sobrecalentó	
La luz parpadea durante 20 segundos al final del ciclo.		Error interno	Envíe la herramienta a mantenimiento.


Tabla 2: Señales LED del control remoto

Señal	LED		Procedimiento
	Verde	Azul	
La luz azul parpadea. La verde permanece apagada.			Buscando señal inalámbrica.
Luz azul fija. La verde permanece apagada.			Señal inalámbrica encontrada y emparejada.
La luz verde parpadea y la luz azul está fija.			La cuchilla de la herramienta se está moviendo.
Las luces verde y azul parpadean.			La batería del control remoto tiene poca carga.
LED verde y azul fijas.			Se completó el corte. (Solo para productos equipados con sensor de posición final)

Pantalla OLED

La pantalla OLED muestra información sobre la herramienta y se utiliza para configurar perfiles operativos y mostrar códigos de error en caso de funcionamiento anormal (consulte la sección Resolución de problemas). Para encender la pantalla, inserte la batería y apriete el gatillo.

Repase las distintas pantallas con los botones izquierdo y derecho ubicados a ambos lados de la pantalla. Las pantallas no cargarán después de que el control remoto esté emparejado con la herramienta.

Pantalla	Pantalla OLED	Información indicada
0		
1	P  PSI P PSI	Estado de conexión inalámbrica, carga de la batería, presión actual, presión máx. Mantenga pulsados ambos botones para cambiar las unidades, seleccione una opción con el botón derecho y confirme con el avance lento de la herramienta.
2	INFO FW: 2.0 123456AB001	Versión de firmware, número de serie
3	CURRENT USER: 1 SINGLE CLICK MRS+	Pantalla Profile Mode Select (Selección de modo de perfil) para elegir entre las operaciones de perfil Remote (Remoto) y Handheld (Manual).
4	#ODS #DAYS	Ciclos y días hasta el próximo servicio.
5	TOTAL: T= 0.0h Q= 0.0Ah n= 0	Horas de funcionamiento transcurridas (T), Ah utilizado (Q) y número de ciclos (n) desde la fecha de fabricación.

Aplicación I-Press

Esta herramienta tiene capacidad inalámbrica para comunicarse con la aplicación I-Press de Greenlee en su dispositivo inteligente.

1. Instale la aplicación “i-press Klauke Software Solutions” desde App Store o Google Play. Abra la aplicación en el dispositivo inteligente y seleccione la opción “Greenlee”.
2. Encienda la función inalámbrica en el dispositivo inteligente y active la herramienta para establecer una conexión.

La aplicación le permitirá crear proyectos, personalizar su herramienta y mostrar lecturas de presión de la herramienta, carga de la batería, la última fecha de mantenimiento y mucho más.

Las instrucciones de uso de la aplicación se muestran en la propia aplicación i-press; también puede solicitar el folleto MA6864 a cualquier distribuidor de Greenlee.

Si la herramienta está emparejada con el control remoto, no se conectará con la aplicación.



i-Press es una marca registrada de Gustav Klauke GmbH.

App Store es una marca comercial registrada de Apple Inc.

Google Play es una marca comercial registrada de GOOGLE INC.

Capacitación y cualificaciones

Este producto está diseñado para que lo utilicen profesionales capacitados para trabajar en equipos eléctricos de alta tensión y en torno a ellos. Si no está capacitado en los métodos de trabajo requeridos para un funcionamiento seguro, no utilice este producto.

Siempre realice todas las capacitaciones y respete todas las precauciones de seguridad en obras para tensión eléctrica determinadas por su industria, gobierno y empleador. Consulte también la norma de la OSHA sobre generación, transmisión y distribución de energía eléctrica (29 CFR 1910.269) y NEC 70E: Norma para la Seguridad Eléctrica en Lugares de Trabajo.

Cuando sea necesario, por ejemplo, para la instalación, la extracción y la reparación de las líneas energizadas a más de 600 V, asegúrese de que al menos una segunda persona capacitada y cualificada esté presente a una distancia adecuada.

Inspección previa a la operación

⚠ ADVERTENCIA



- **Retire la batería antes de tocar el cabezal de corte o de conectar/quitar el adaptador de la pértiga aislante.** Existe riesgo de aplastamiento, fractura o amputación de los dedos o las manos si quedan atrapados en el cabezal de la herramienta o entre el cabezal de la herramienta y otros objetos.
- **Antes del uso, inspeccione la herramienta y solucione cualquier problema antes de utilizarla para reducir el riesgo de lesiones y evitar daños en el producto.** Si durante la inspección observa o sospecha que hay daños en la herramienta o fuga de aceite hidráulico, no utilice la herramienta. Durante el uso se generan fuerzas de gran magnitud que pueden romper o expulsar piezas y causar lesiones.

1. Retire la batería.
2. Limpie cualquier resto de aceite, grasa o suciedad del cuerpo y del cabezal de la herramienta, inclusive las manijas y los controles. Una herramienta limpia facilita la inspección.
3. Revise si existen signos de desgaste y daño tales como grietas, mellas o astillas en la carcasa de la herramienta. No utilice la unidad si alguna de sus partes está desgastada, corroída, oxidada o agrietada.
4. Compruebe las cuchillas en busca de grietas, mellas, astillas o desgaste significativo. Sustituya las cuchillas que están desafiladas o astilladas antes del uso para obtener un corte limpio. No afile las cuchillas, envíelas a mantenimiento.
5. Inspeccione que no haya fugas de aceite hidráulico. No utilice la unidad si se detecta plomo, envíe la herramienta a mantenimiento.
6. Probar la rotación del conjunto del cabezal; este debe estar libre para girar casi una vuelta completa (330°). Si el cabezal gira más de una vuelta completa, enviar la herramienta a mantenimiento.
7. Compruebe si hay daño en el adaptador para la pértiga aislante y la presencia de la tuerca mariposa. Reemplace el adaptador si está dañado o si falta la tuerca mariposa.
8. Compruebe que el ensamble sea correcto y esté completo, no lo utilice si faltan piezas o están desalineadas.
9. Compruebe la presencia y el buen estado de los adhesivos.
10. Revise y dé mantenimiento a cualquier otro equipo que se utilice según sus instrucciones para asegurarse de que esté funcionando correctamente.
Si detecta algún problema, no utilice esta herramienta hasta solucionarlo.

Configuración del área de trabajo y de la herramienta

⚠ ADVERTENCIA

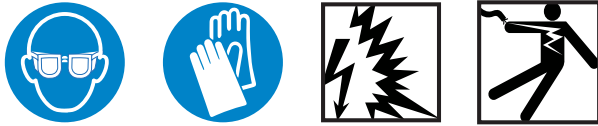


- **Confirme el funcionamiento adecuado antes y después de cada uso para reducir el riesgo de sufrir lesiones.**
- **Configure la herramienta y el área de trabajo de acuerdo con estos procedimientos para reducir el riesgo de lesiones.**
- **No modifique la herramienta.** Cualquier modificación de la herramienta puede ocasionar lesiones y la anulación de la garantía de la herramienta. Un cabezal que haya sido soldado, esmerilado, perforado o modificado de cualquier manera puede romperse durante el uso. Para reducir el riesgo de lesiones, reemplace todo el cabezal dañado, nunca reemplace componentes individuales. Deseche los cabezales dañados utilizando los métodos de eliminación adecuados.

1. Utilice siempre PPE adecuado para reducir el riesgo de lesiones.
2. Confirme la seguridad del área de trabajo (inspeccione el lugar de trabajo de acuerdo con los requisitos de la especificación del trabajo del empleador y de la OSHA, y consulte las Advertencias generales de seguridad con herramientas eléctricas). Utilice la herramienta en una ubicación despejada, nivelada, estable y seca.
3. Confirme que el circuito está desenergizado o debidamente conectado a tierra. Siga todos los procedimientos del lugar de trabajo para controlar la energía peligrosa a fin de evitar la activación no deseada mientras trabaja. Maneje siempre la línea como si estuviera con corriente. Cortar cables con corriente puede producir una electrocución, un arco eléctrico o la muerte.
4. Inspeccione el cable para confirmar que puede ser cortado por esta herramienta; cortar el tipo incorrecto de cable puede dañar la herramienta o causar lesiones personales. (Consulte la sección Especificaciones).
5. Asegúrese de que el lugar de trabajo sea fácilmente reconocible para los observadores externos a fin de evitar que las personas ingresen al área mientras se utiliza la herramienta. Una de las maneras de hacerlo es colocando barreras o conos alrededor del sitio de trabajo.
6. Para uso remoto, utilice la pértiga aislante adecuada para la operación y realice una inspección según las pautas de la industria.
7. Asegúrese de que todos los equipos se hayan inspeccionado correctamente.

Operación de la herramienta

⚠ PELIGRO



- **Nunca toque una parte de la herramienta mientras esté en contacto con alta tensión.** Debe tener en cuenta que la herramienta tiene la misma tensión que el circuito.
- **Siga siempre los procedimientos adecuados sobre alta tensión, incluido el uso del equipo de protección personal, cuando trabaje cerca o alrededor de equipos o conductores de alta tensión. Permanezca fuera del límite del arco eléctrico de acuerdo con NFPA 70E mientras se corta el conductor para reducir el riesgo de lesiones graves.** No utilice esta herramienta si no está capacitado ni familiarizado con los requisitos de obra y PPE adecuados.
- **No utilice la herramienta en cables eléctricos energizados en modo manual.** Esta herramienta no está aislada, pueden producirse lesiones graves o la muerte debido a descargas eléctricas y arco eléctrico.
- **Solo una persona capacitada para trabajar con sistemas eléctricos de alta tensión debe utilizar esta herramienta.** Las tensiones a las que operan estos instrumentos se consideran activas y peligrosas, y son letales. Puede provocar lesiones graves o la muerte si se utiliza de manera incorrecta.
- **Utilice siempre una pértiga aislante y siga las rigurosas prácticas de trabajo de esta herramienta cuando se utiliza en modo remoto, para reducir el riesgo de lesiones.**
- **Nunca permita que otro conductor de alta tensión, o punto de conexión a tierra, entre en contacto con el instrumento durante el uso.** Mantenga siempre la carcasa de la herramienta alejada de todos los conductores para evitar cortocircuitos en el circuito y provocar un arco eléctrico que podría ocasionar lesiones graves o la muerte.

⚠ ADVERTENCIA



- **Mantenga los dedos y las manos lejos del cabezal de la herramienta durante el ciclo de operación. Retire la batería antes de tocar el cabezal de corte o de conectar/quitar el adaptador de la pértiga aislante.** Existe riesgo de aplastamiento, fractura o amputación de los dedos o las manos si quedan atrapados en el cabezal de la herramienta o entre el cabezal de la herramienta y otros objetos.
- **No corte cables que tengan tensión.** El cable puede causar latigazos y golpes cuando se corta y provocar lesiones graves o la muerte.

- **No se coloque directamente debajo de los cables elevados y de esta herramienta cuando se conecte a una pértiga aislante.** El cable o herramienta pueden caerse y provocar lesiones graves o la muerte.
- **Una persona debe controlar el proceso de trabajo y el funcionamiento de la herramienta.** Solo el operador debe manipular la herramienta y el control remoto para reducir el riesgo de lesiones.

La herramienta ES20LXR tiene dos perfiles de corte: manual y remoto. La operación manual puede utilizarse para cortar cables eléctricos o tipos adecuados de varillas y cables metálicos. (Consulte la sección Especificaciones). La operación remota permite al operador separarse físicamente de la herramienta de corte al realizar un corte mediante un control remoto especial emparejado y una pértiga aislante apropiada.

Uso manual

Antes de su uso, confirme que las líneas a cortar estén desenergizadas.

1. Inserte la batería.
2. Sostenga la herramienta con ambas manos para mirar la pantalla OLED en la herramienta. Mantenga pulsados ambos botones para ver la pantalla User Select (Selección de usuario). Repase las pantallas con el botón derecho para desplazarse hacia el perfil deseado.
3. Presione el gatillo de la herramienta para activar el perfil Handheld (Manual).
4. Mantenga las manos alejadas del cabezal de corte, haga doble clic y sostenga el gatillo durante un ciclo completo para probar la herramienta. La luz LED blanca permanecerá encendida durante el funcionamiento y durante 10 segundos después de soltar el gatillo.
5. El cabezal de corte se abrirá automáticamente al final de un ciclo de corte. La cuchilla no se moverá en el perfil Remote (Remoto) si no llega información desde el control remoto.
6. Si es necesario, mantenga pulsado el botón de retracción para regresar la cuchilla a la posición inicial. Coloque la herramienta de modo tal que el cable quede en la abertura del cabezal de corte.
7. Mantenga la herramienta estable y colóquela a un ángulo de 90° en el cable (Fig. 1). No gire la pieza de trabajo ni la herramienta durante la operación de corte, podría producirse una falla en la cuchilla.

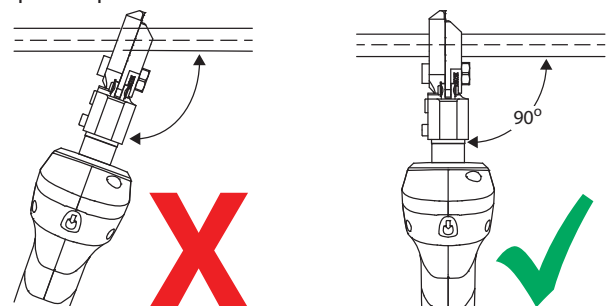


Figura 1

8. Haga doble clic y mantenga el gatillo apretado hasta completar el corte. El proceso de corte puede interrumpirse en cualquier momento al soltar el gatillo y la cuchilla puede retraerse con el botón de retracción de la herramienta.
9. Retire la batería antes de preparar otro corte o guardar la herramienta.

Nota: La herramienta se apagará automáticamente cuando esté inactiva por 15 minutos. Esto se indicará mediante una cuenta regresiva en la pantalla OLED. Al apretar el gatillo o cualquier botón se restablecerá la cuenta regresiva.

Uso remoto

1. Acople el cortador a la pértiga aislante.
 - i. Retire la batería antes de acoplar el soporte de la pértiga aislante a la herramienta. Pueden producirse lesiones graves como consecuencia de la activación inesperada del ciclo de corte.
 - ii. Desatornille la tuerca mariposa para abrir el montaje.
 - iii. Abra el montaje y colóquelo alrededor de la carcasa del cortador remoto en línea. Alinee la bisagra con el gatillo. (Fig. 2)



Figura 2

- iv. Cierre el montaje alrededor de la manija de modo que la bisagra haga presión hacia abajo sobre el gatillo.
- v. Apriete la tuerca mariposa y el tornillo de manera que el montaje esté seguro y ejerciendo presión hacia abajo sobre el gatillo. (Fig. 3)



Figura 3

- vi. Alinee el cabezal de la pértiga aislante y el adaptador universal de la pértiga aislante. (Fig. 4)



Figura 4

- vii. Inserte la perilla de montaje de la pértiga aislante desde el lado de la herramienta y enrósquela lo suficiente para fijarla al extremo de la pértiga aislante. Deje la perilla lo suficientemente floja para permitir el ajuste de la posición y luego apriete para enganchar los dientes y mantener el cortador en su posición. (Fig. 5)



Figura 5

2. Inserte la batería una vez que la herramienta está asegurada en la pértiga aislante.
3. Mantenga las manos alejadas del cabezal de corte y de la herramienta de soporte para mirar la pantalla OLED. Mantenga pulsados ambos botones para ver la pantalla User Select (Selección de usuario). Repase las pantallas con el botón derecho para desplazarse hacia el perfil Remote (Remoto).
4. Presione el interruptor de palanca en el control remoto para activar el modo remoto. La luz LED azul del control remoto comenzará a parpadear.
5. Espere a que aparezca la identificación del control remoto en la pantalla y, a continuación, presione el botón situado junto al nombre en la pantalla OLED. La identificación del control remoto se encuentra encima del adhesivo de señal del control remoto.

FOUND REMOTE
B0Z2sPo0
Connect?
Yes Next

Figura 6

6. Cuando la pantalla de herramientas lo solicite, presione el interruptor de palanca en el control remoto para completar el emparejamiento. El emparejamiento está completo cuando la luz LED azul deja de parpadear y permanece fija.

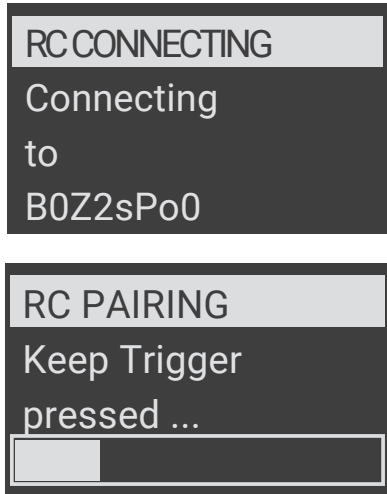


Figura 7

7. Haga doble clic en **Extend (Extender)** en el interruptor de palanca para activar la operación remota. (Fig. 8) Para probar la conexión, haga doble clic y mantenga presionado el interruptor de palanca. La cuchilla se abrirá automáticamente al final de un ciclo de corte.

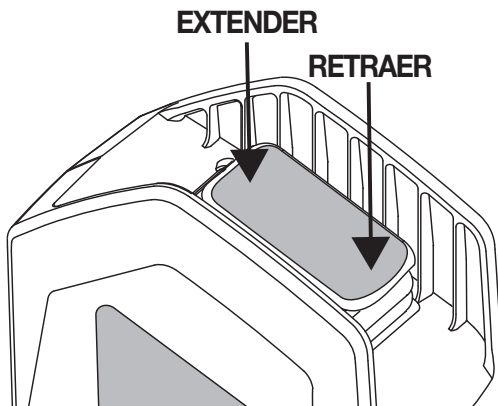


Figura 8

La luz LED verde en el control remoto parpadeará mientras la cuchilla esté en movimiento.

8. Localice un lugar de soporte que proporcione una vista clara del cable que pretende cortar y que no esté directamente debajo del cable.

9. Sostenga la pértiga aislante con ambas manos y sujete el extremo de la pértiga aislante con el pie o la pared de la canasta para reducir el riesgo de torcedura o pérdida del control remoto de la herramienta. Extienda la pértiga aislante y manténgala apenas inclinada delante suyo (Fig. 9).

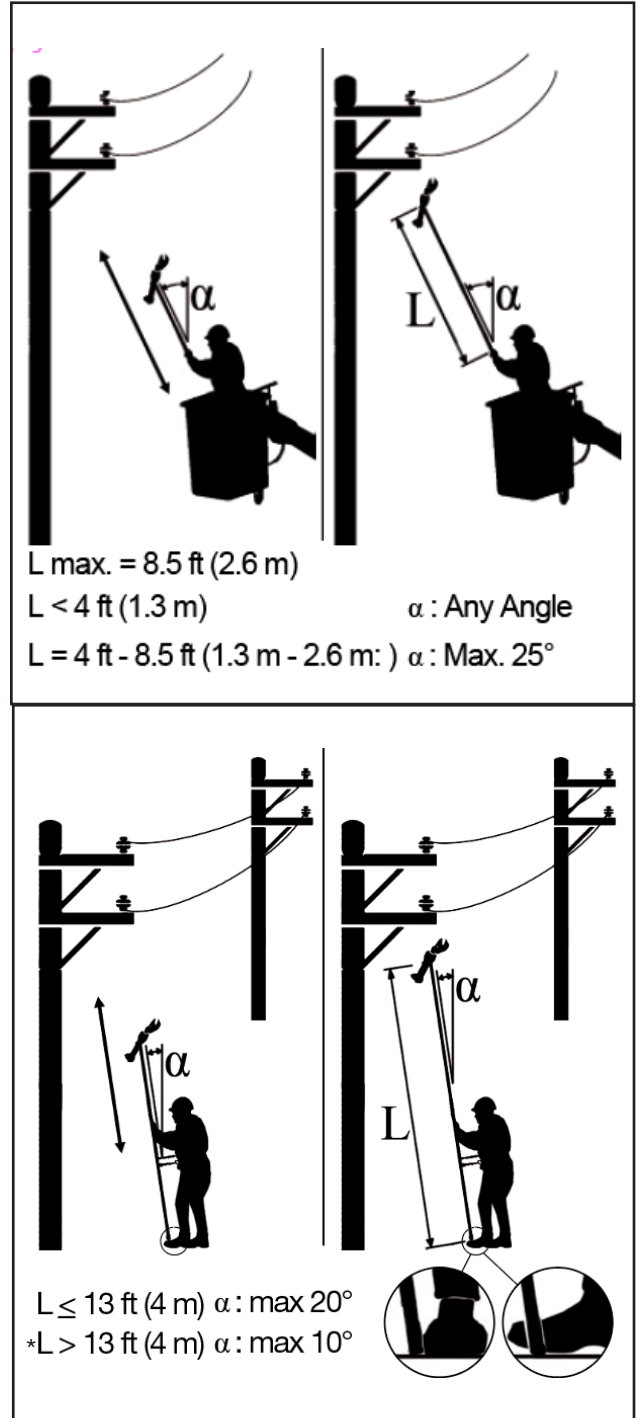


Figura 9

**Esta herramienta no está certificada para utilizarse con pértigas aisladas de más de 13 ft (4 m). Requiere más fuerza para controlar la herramienta en una pértiga aislante más larga. Mantenga la pértiga aislante más cerca del cuerpo para reducir el riesgo de perder el control remoto y provocar lesiones.*

10. Coloque la herramienta en un ángulo de 90° al cable (Fig. 10).

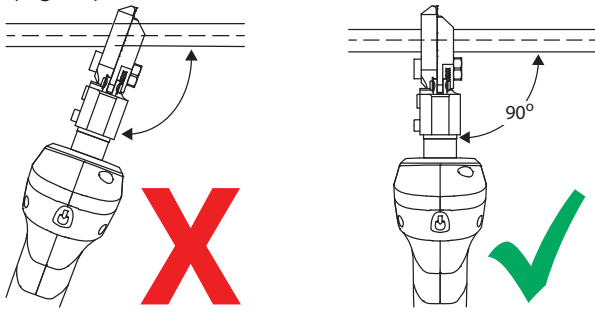


Figura 10

11. Haga doble clic en **Extend (Extender)** en el interruptor del control remoto hasta que el corte esté completo. El proceso de corte puede interrumpirse en cualquier momento soltando el interruptor y retraerse si se mantiene presionado el botón **Retract (Retraer)**.

Si va a cortar cables aéreos largos que puedan tener corriente, preste atención al flujo de corriente y corte el cable de una manera que reduzca el riesgo de caída del extremo del cable con corriente. (Fig. 11)

Si un cable cae al suelo y tiene corriente, pueden existir niveles letales de electricidad en el suelo alrededor de donde cayó el cable. Esto crea un área de trabajo energizada que contiene una tensión de paso potencialmente mortal. La tensión de paso

ocurre cuando una persona se encuentra dentro del embudo de tensión (Fig. 12). Se electrocuta si toca el suelo cargado con el pie. La diferencia en la capacidad eléctrica hace que la electricidad pase a través del cuerpo desde el pie que tiene mayor tensión hacia el pie con menor tensión.

El suelo dispersará la electricidad, lo que significa que cuanto más lejos esté una persona de donde se encuentra el cable energizado que toca el suelo, menor será el riesgo de presencia de niveles letales de electricidad. El tamaño del área de trabajo energizada depende de la tensión del cable y aumentará su tamaño con una mayor tensión. La regla 441* (Tabla 3) de distancias mínimas de aproximación en áreas de trabajo energizadas del NESC proporciona orientación sobre la distancia que el operador y los transeúntes deben mantener fuera de la potencial área de trabajo energizada al cortar el cable.

Si un área está potencialmente energizada, siga todos los protocolos de seguridad descritos por su empleador y las organizaciones nacionales de seguridad para alejarse del área de trabajo energizada hacia la zona aledaña y remota.

Retire la batería antes de preparar otro corte.

Nota: La herramienta se apagará automáticamente después de 30 minutos de inactividad cuando esté en modo remoto. Aparecerá una cuenta regresiva en la pantalla OLED y se restablecerá cuando se utilice o desconecte el control remoto.

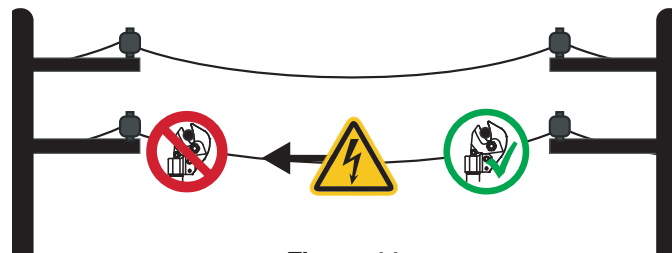


Figura 11

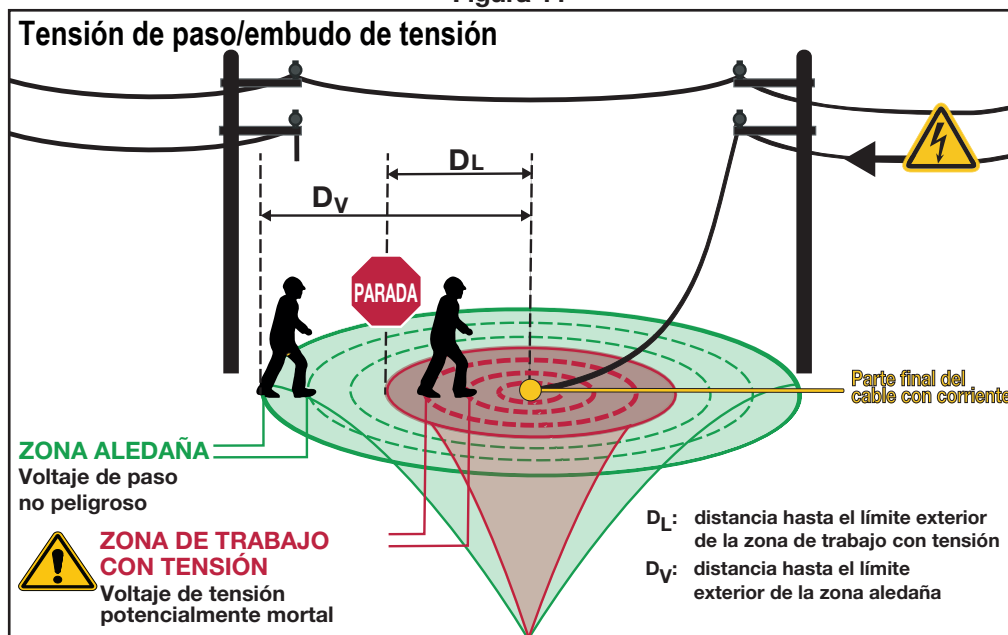


Figura 12

*Estas tablas y cifras están hechas para proporcionar orientación sobre las distancias de funcionamiento y no sustituyen la capacitación adecuada ni las políticas de seguridad del empleador en zonas de trabajo de alta tensión.

Tabla 3: Distancia mínima de aproximación en áreas de trabajo con CA (Consulte la regla 441 del NESC en su totalidad para obtener más detalles)							
Fase a $\square \diamond \triangle$ fase (kV)		Distancia al empleado*					
Mín.	Máx.	Fase a tierra		Fase a fase ⁺			
		(m)	(ft-in)	(m)	(ft-in)		
0	0,050 \square	No se especifica		No se especifica			
0,051	0,300 \square	Evite el contacto		Evite el contacto			
0,301	0,750 \square	0,32	1-1				
0,751	15,0	0,64	2-2	0,67		2-3	
15,1	36,0	0,73	2-5	0,87		2-10	
36,1	46,0	0,79	2-7	0,94		3-1	
46,1	72,5	0,89	2-11	1,15		3-9	

Fase a $\circ \bullet \blacksquare$ fase (kV)		Distancia al empleado desde la pieza energizada*					
Máx.	Mín.	Sin herramientas $\diamond \triangle$ Fase a tierra		Con herramientas Fase a tierra		Con herramientas Fase a fase	
		(m)	(ft-in)	(m)	(ft-in)	(m)	(ft-in)
72,6	121,0	0,94	3-1	1,01	3-4	1,37	4-7
121,1	145,0	1,07	3-7	1,15	3-10	1,62	5-4
145,1	169,0	1,20	4-0	1,29	4-3	1,88	6-3
169,1	242,0	1,58	5-2	1,71	5-8	2,77	9-2
242,1	362,0	2,56	8-5	2,75	9-1	4,32	14-3
362,1	550,0	3,38	11-1	3,61	11-11	6,01	19-2
550,1	800,0	4,54	14-11	4,82	15-10	8,87	29-2

*Las distancias enumeradas corresponden a condiciones atmosféricas estándar. La información utilizada para formular esta tabla se obtuvo de los datos de prueba tomados con condiciones atmosféricas estándar. Las condiciones atmosféricas estándar se definen como temperaturas superiores al congelamiento, vientos inferiores a 15 mil/h o 24 km/h, aire no saturado, barómetro normal, aire no contaminado y aislantes limpios y secos. Hay que tener mucho cuidado si no existen condiciones atmosféricas estándar.

\square Para sistemas monofásicos, utilice la tensión más alta disponible.

\diamond Para líneas monofásicas fuera de los sistemas trifásicos, utilice la tensión fase a fase del sistema.

\triangle Los factores de movimiento inadvertidos utilizados en estas tablas son los siguientes:

0,301 kV a 0,750 kV = 1 ft

0,751 kV a 72,5 kV = 2 ft

72,6 kV a 800 kV = 1 ft

\circ Para tensiones superiores a 72,5 kV, las distancias se basan en altitudes inferiores a 900 m (3000 ft) sobre el nivel del mar. Para altitudes superiores a 900 m (3000 ft), se aplica la regla 441A6.

\bullet Las distancias se calcularon utilizando los siguientes valores de TOV:

72,6 kV a 362 kV = 3,0

362,1 kV a 550 kV = 2,4

550,1 kV a 800 kV = 2,0

\blacksquare En el caso de trabajo manual sin protección en el que el empleado está en el potencial eléctrico, esta distancia es hacia un objeto con un potencial diferente.

\blacklozenge Las distancias para las herramientas de trabajo en líneas energizadas en la brecha aérea se calcularon agregando un factor de herramienta al componente eléctrico (factor de herramienta IEEE 516 C2 1.1).

\blacktriangle Con herramientas significa una herramienta de trabajo en líneas energizadas que acorta la brecha aérea de la pieza con corriente al empleado.

+ Los valores de la brecha aérea en la línea energizada de fase a fase no están disponibles. De existir esta situación, se debe realizar una evaluación de ingeniería.

Resolución de problemas

1. Compruebe que la batería esté cargada. Si la batería se agotó, cárguela y vuelva a comprobarla tras unos minutos para asegurarse de que no esté perdiendo la carga.
2. Quite la batería de la herramienta.
3. Revise la herramienta, consulte Inspección previa a la operación.
4. Vuelva a instalar la batería y verifique la herramienta nuevamente.

Consulte las siguientes tablas para obtener soluciones para resolver posibles problemas que la herramienta pueda tener. Para colaborar con la resolución de problemas, en la tabla de luces LED indicadoras de la herramienta (pág. 8) se explican las señales de la luz LED roja de la herramienta que pueden producirse.

Problema	Causa posible	Solución	
La herramienta no se activa al presionar el gatillo.	Contaminantes (suciedad, óxido, etc.) en el cabezal de corte.	Retire la batería y limpie exhaustivamente el cabezal de la herramienta.	
	Los componentes están gastados o dañados	Envíe la herramienta a mantenimiento.	
	El motor no funciona		Revise la batería y cámbiela si es necesario.
			Revise si los componentes del interruptor están rotos y envíelos a mantenimiento.
	Juego de herramientas en perfil remoto	Cambie el perfil a manual.	
	La batería está baja o vencida	Cargue o reemplace la batería.	
La herramienta no se activa al presionar el interruptor del control remoto.	Piezas rotas	Envíe la herramienta a mantenimiento.	
	Herramienta en perfil Manual	Cambie el perfil a Remoto.	
	Receptor inalámbrico dañado	Envíe la herramienta a mantenimiento.	
El motor funciona, pero la herramienta no completa un ciclo.	Otro control remoto está emparejado con la herramienta	Retire y reemplace la batería para restablecer y siga los pasos para configurar el perfil Remoto.	
	Nivel de aceite bajo	Envíe la herramienta a mantenimiento.	
	Aire en el sistema hidráulico	Presione el gatillo y oprima el botón de retracción simultáneamente. Déjela en funcionamiento durante 10 segundos y, a continuación, vuelva a intentar el corte. Si el problema no se soluciona, póngase en contacto con el servicio de atención al cliente de Greenlee al 800-435-0786 para consultas sobre el servicio de garantía o reparaciones.	
La luz LED roja se enciende durante 20 segundos.	Aceite frío	Presione el gatillo y oprima el botón de retracción simultáneamente durante 10-20 segundos para calentar el aceite. Presione el gatillo y complete un ciclo. Repita hasta que la herramienta complete un ciclo correctamente.	
	Batería baja	Cargue la batería o sustitúyala.	
La herramienta pierde aceite.	Sello dañado	Envíe la herramienta a mantenimiento.	

Código de error	Significado	Procedimiento
1	Fusible de sobrecorriente	Realice mantenimiento
2	Comparador de sobrecorriente	Realice mantenimiento
3	Placa de circuito sobrecalentada	Enfríe la herramienta
4	Batería sobrecalentada	Enfríe la batería
5	Batería vacía: se detiene la operación	Cargue la batería
6	Corte defectuoso; ciclo completo	Realice mantenimiento
7	Corte defectuoso; ciclo incompleto	Realice mantenimiento
8	Batería baja	Cargue la batería
9	Batería vacía	Cargue la batería
10	Batería de reloj en tiempo real baja	Realice mantenimiento
11	Herramienta desactivada	Realice mantenimiento
12	Servicio necesario	Realice mantenimiento
13	Reloj en tiempo real no encontrado	Vuelva a insertar la batería Realice mantenimiento
14	Unidad Bluetooth® no encontrada	Vuelva a insertar la batería Realice mantenimiento
15	[No utilizado]	
16	Sensor de presión no encontrado	Realice mantenimiento
17	Presión excedida	Realice mantenimiento
18	Temperatura de la batería demasiado baja	Caliente la batería
21	Batería de control remoto baja	Reemplace la batería

Transporte y almacenamiento

Retire la herramienta de la pértiga aislante y la batería de la herramienta antes de transportarla o almacenarla. Guarde la herramienta en un lugar fresco y seco en la caja suministrada con el control remoto.

Servicio

⚠ ADVERTENCIA

- **Solo técnicos calificados deben realizar el servicio de la herramienta.** El servicio o mantenimiento hecho por personal no calificado puede provocar riesgo de lesiones.
- **Cuando le dé servicio a la herramienta, solo utilice repuestos idénticos.** El uso no autorizado de piezas o no seguir las instrucciones de servicio pueden dar lugar a una descarga eléctrica o lesiones.

En 3 años o 10.000 ciclos, programe un servicio de mantenimiento de fábrica. El servicio de fábrica incluye inspecciones generales, reemplazo de aceite hidráulico dieléctrico de la herramienta y pruebas de la herramienta a cargo de técnicos capacitados.

Cuando se acerque o se cumpla la fecha del servicio de fábrica, comuníquese con el Servicio de Atención al Cliente de Greenlee. El envío acelerado está disponible.

Mantenimiento

⚠ ADVERTENCIA

- **Retire la batería antes de tocar el cabezal de corte o de conectar/quitar el adaptador de la pértiga aislante.** Existe riesgo de aplastamiento, fractura o amputación de los dedos o las manos si quedan atrapados en el cabezal de la herramienta o entre el cabezal de la herramienta y otros objetos.
- **Realice el mantenimiento de esta herramienta de acuerdo con estos procedimientos.** No haga ningún tipo de mantenimiento aparte del descrito en este manual. Puede provocar lesiones o dañar la herramienta.
- **No modifique la herramienta.** Hacer una modificación puede ocasionar lesiones personales y daños a la herramienta. Una herramienta con un cabezal de corte que haya sido soldado, molido, perforado o modificado de cualquier manera puede romperse durante el uso y arrojar piezas que podrían ocasionar lesiones graves o la muerte.

Retire la batería antes de realizar cualquier mantenimiento.

Utilice un trapo húmedo y detergente suave para limpiar la carcasa después de cada uso. Deje que la herramienta se seque completamente antes de reemplazar la batería.

No intente abrir la herramienta. Contiene piezas que no necesitan mantenimiento por parte del usuario.

Equipamiento opcional y piezas de repuesto

Kits de reparación

N.º de CAT.	Descripción
BTC3-CK	KIT CONV. BHT
BTC3GL	CONTROL REMOTO, CONTROL BHT
BTC3-TJ	ADAPTADOR PARA PÉRTIGA AISLANTE
52177	BATERÍA, IONES DE LITIO DE 18 V, 2.0 AH (PAQ.)
52178	CARGADOR, BATERÍA DE 120 V (EMPAQ.)
52179	CARGADOR, BATERÍA DE 230 V (EMPAQ.)
52180	CARGADOR, BATERÍA DE 12 V (EMPAQ.)
CP1	MORRAL (EMPAQ.)

Eliminación

Las piezas de estas herramientas contienen materiales valiosos que se pueden reciclar. Hay empresas que se especializan en el reciclaje y que se pueden encontrar localmente. Deseche los componentes de acuerdo con todas las normas vigentes. Comuníquese con la autoridad local de gestión de residuos para obtener más información.



Para países de la UE: no deseche los equipos eléctricos con desechos domésticos. De acuerdo con la Norma Europea 2012/19/EU para Desechos de Equipos Eléctricos o Electrónicos y su implementación en la legislación nacional, el equipo eléctrico que ya no se puede utilizar se debe recolectar por separado y desechar de forma adecuada, respetando el medio ambiente.

Declaraciones obligatorias

Modelo ES20LXR — Id. de FCC: RFR-S50; Id. de IC: 4957A-S50

Requisitos de EE. UU.:

Responsable: Greenlee Tools, Inc. Rockford, IL 61109, EE. UU.

Aviso: Este equipo fue probado y se ha determinado que cumple con los límites para un dispositivo digital de Clase A, de acuerdo con la Parte 15 de las normas de la FCC. Estos límites están diseñados para ofrecer protección razonable contra interferencias perjudiciales cuando el equipo opera en un ambiente comercial. Este equipo genera, utiliza y puede irradiar energía de radiofrecuencia y, si no se instala y utiliza de acuerdo con el manual de instrucciones, puede ocasionar interferencias perjudiciales a las radiocomunicaciones. Es probable que el uso de este equipo en una zona residencial ocasione interferencias perjudiciales, en cuyo caso, será la responsabilidad del usuario corregir la interferencia por cuenta propia.

Este dispositivo cumple con los requisitos de exención de la prueba SAR de exposición a RF para dispositivos portátiles, si se mantiene una distancia de separación mínima. Sin embargo, el dispositivo debe utilizarse de tal manera que se minimice la posibilidad de contacto humano durante la operación normal.

Requisitos de Canadá:

Este dispositivo cumple con los estándares RSS exentos de licencia de Industry Canada. El funcionamiento está sujeto a las siguientes dos condiciones:

- (1) este dispositivo no puede causar interferencia; y*
- (2) este dispositivo debe aceptar cualquier interferencia, incluida la interferencia que puede causar funcionamiento no deseado del dispositivo.*

Le présent appareil est conforme aux CNR d'Industrie Canada applicables aux appareils radio exempts de licence. L'exploitation est autorisée aux deux conditions suivantes:

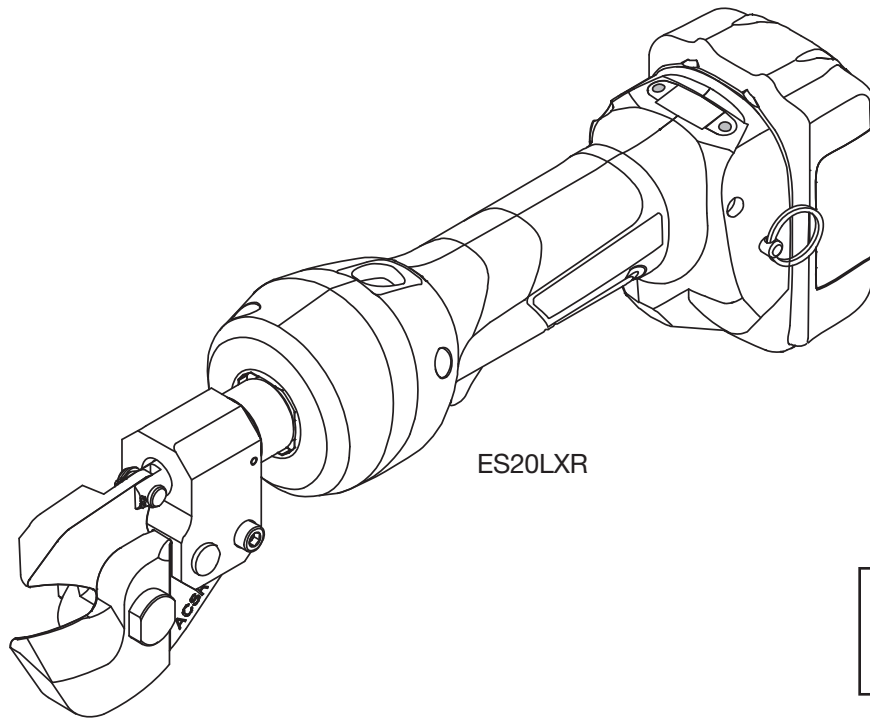
- 1) l'appareil ne doit pas produire de brouillage;*
- 2) l'utilisateur de l'appareil doit accepter tout brouillage radioélectrique subi, même si le brouillage est*

MODE D'EMPLOI

COPIE DE INSTRUCTIONS D'ORIGINE



Noter le numéro de série ici



ES20LXR

English	1-20
Español	21-40
Português	61-80

Coupe-câble à distance en ligne avec télécommande sans fil



Lire et assimiler toutes les instructions et tous les renseignements de sécurité de ce mode d'emploi avant d'utiliser cet outil ou d'en effectuer l'entretien.

CONSERVER CE MODE D'EMPLOI

Table des matières

Liste explicative des symboles de sécurité.....	43
Mises en garde générales*	44
Renseignements de sécurité propres à l'outil	45
Coordonnées Greenlee	46
Description de l'outil.....	47
Spécifications	47
Identification de l'outil	48
Autocollants et emplacements.....	49
Signaux à DEL de l'indicateur de l'outil.....	50
Signaux à DEL à distance	50
Écran DELO.....	50
Application I-Press	51
Formation et qualifications	51
Inspection avant utilisation.....	51
Préparation de la zone de travail et de l'outil	52
Fonctionnement de l'outil.....	53
Portable	53
À distance.....	54
Dépannage	58
Transport et entreposage	59
Réparation	59
Entretien	59
Équipement et pièces de rechange en option.....	59
Mise au rebut.....	60
Déclarations requises	60

CONSERVER CES INSTRUCTIONS

Liste explicative des symboles de sécurité

Dans le présent mode d'emploi et sur le produit, des symboles de sécurité et des mots indicateurs sont utilisés pour communiquer des renseignements importants de sécurité. L'objet de la présente section est d'améliorer la compréhension de ces mots indicateurs et symboles.



Il s'agit du symbole d'avertissement. Il est utilisé pour mettre l'utilisateur en garde contre les risques de blessures corporelles. Respecter tous les messages de sécurité qui suivent ce symbole pour éviter d'éventuelles blessures, voire le décès.

⚠ DANGER

Indique une situation dangereuse qui, si elle n'est pas évitée, ENTRAÎNERA des blessures graves, voire mortelles.

⚠ AVERTISSEMENT

Indique une situation dangereuse qui, si elle n'est pas évitée, PEUT entraîner des blessures graves, voire mortelles.

⚠ AVERTISSEMENT

Indique des dangers ou des pratiques dangereuses qui, s'ils ne sont pas évités, SONT SUSCEPTIBLES d'entraîner des blessures ou des dommages matériels.



Ce symbole signifie qu'il faut lire attentivement le mode d'emploi avant d'utiliser l'équipement. Le mode d'emploi contient des renseignements importants sur la sécurité et le bon fonctionnement de l'équipement.



Ce symbole signifie qu'il faut toujours porter des lunettes de protection à écrans latéraux ou des lunettes de sécurité lors de la manipulation ou de l'utilisation de cet équipement afin de réduire le risque de blessures oculaires.



Toujours porter des gants lors de la manutention ou de l'utilisation de cet équipement pour réduire le risque de blessures.



Ce symbole signifie qu'il faut toujours porter des protections auditives lors de l'utilisation de cet équipement pour réduire les risques de blessure.



Ce symbole indique un risque de choc électrique.



Ce symbole indique le risque d'éclat d'arc électrique.



Ce symbole indique que des composants peuvent se rompre et heurter le personnel à proximité.



Ce symbole indique le risque qu'un tuyau ou une corde fouette et cause des blessures par coups.



Ce symbole indique qu'il y a un risque de blessure suite à une chute d'objets.



Ce symbole indique que les mains, les doigts ou d'autres parties du corps peuvent être coupés ou gravement blessés s'ils sont coincés entre des éléments tranchants.

Mises en garde générales*

AVERTISSEMENT


Lire tous les avertissements de sécurité, les instructions, les illustrations et les spécifications fournies avec cet outil électrique. Veiller à respecter toutes les instructions ci-dessous pour écarter les risques de décharge électrique, d'incendie et de blessure grave.

CONSERVER TOUTES LES MISES EN GARDE ET TOUTES LES INSTRUCTIONS POUR CONSULTATION ULTÉRIEURE.

Dans les mises en garde, le terme « outil électrique » fait référence à un outil électrique fonctionnant sur le courant secteur (à fil) ou à un outil électrique à batterie (sans fil).

SÉCURITÉ DE L'AIRE DE TRAVAIL

- **Garder la zone de travail propre et bien éclairée.** Les endroits sombres et encombrés favorisent les accidents.
- **Ne pas utiliser les outils électriques dans des atmosphères explosives, notamment en présence de liquides, gaz ou poussières inflammables.** Les outils électriques produisent des étincelles susceptibles d'enflammer les poussières ou les vapeurs.
- **Tenir les enfants et autres personnes présentes à l'écart durant l'utilisation d'un outil.** Les distractions peuvent provoquer une perte de contrôle.

SÉCURITÉ EN MATIÈRE D'ÉLECTRICITÉ

- **La fiche de l'outil électrique doit correspondre au type de prise. Ne jamais modifier la fiche d'une quelconque manière.** Ne pas utiliser de fiche d'adaptation sur des outils électriques à prise de terre. L'utilisation de la fiche d'origine et d'une prise appropriée contribue à réduire le risque de décharge électrique.
- **Éviter tout contact corporel avec des surfaces reliées à la masse ou à la terre, notamment les tuyaux, radiateurs, cuisinières et réfrigérateurs.** La mise à la terre du corps accroît le risque de décharge électrique.
- **Ne pas exposer les outils électriques à la pluie ou à l'humidité.** L'infiltration d'eau dans un outil électrique accroît le risque de décharge électrique.
- **Ne pas maltraiter le cordon. Ne jamais se servir du cordon pour porter, tirer ou débrancher l'outil électrique.** Tenir le cordon à l'écart de sources de chaleur, d'huile, d'arêtes coupantes ou de pièces mobiles. Un cordon endommagé ou emmêlé accroît le risque de décharge électrique.
- **Lors de l'utilisation d'un outil électrique à l'extérieur, utiliser un cordon de rallonge prévu pour l'extérieur.** L'utilisation d'un cordon prévu pour l'extérieur réduit le risque de décharge électrique.
- **Si un outil électrique doit absolument être utilisé dans un endroit humide, utiliser une alimentation électrique protégée par détecteur de fuite à la terre (DFT).** L'utilisation d'un DFT réduit le risque de décharge électrique.

SÉCURITÉ INDIVIDUELLE

- **Faire preuve de vigilance, de concentration et de bon sens lors de l'utilisation d'un outil électrique.** Ne pas utiliser un outil électrique si l'on est fatigué ou sous l'emprise de drogues, d'alcool ou de médicaments. Un instant d'inattention durant l'utilisation d'un outil électrique peut entraîner des blessures graves.
- **Utiliser un équipement de protection individuelle (EPI).** Toujours porter des lunettes de sécurité. Les équipements protecteurs tels qu'un masque anti-poussière, des chaussures de sécurité antidérapantes, un casque ou une protection auditive utilisés dans des conditions appropriées réduisent les risques de blessure.
- **Éviter tout démarrage accidentel.** S'assurer que l'interrupteur est en position d'arrêt avant de raccorder l'outil à une prise de courant ou à une BATTERIE, de le saisir ou de le transporter. Le fait de porter un outil électrique avec le doigt sur l'interrupteur ou de mettre sous tension un outil électrique avec l'interrupteur en position de marche favorise les accidents.
- **Veiller à enlever toute clé ou tout outil de réglage avant de mettre l'outil électrique en marche.** Une clé ou un outil laissés attachés à une pièce rotative de l'outil électrique peuvent entraîner des blessures corporelles.
- **Ne pas travailler à bout de bras.** Toujours maintenir un bon appui et un bon équilibre. Cela permet un meilleur contrôle de l'outil électrique en cas de situations inattendues.
- **Porter une tenue appropriée.** Ne pas porter de vêtements amples ni de bijoux. Tenir les cheveux, les vêtements et les gants à l'écart des pièces en mouvement. Les vêtements amples, les bijoux et les cheveux longs peuvent se prendre dans les pièces en mouvement.
- **Si des mécanismes sont prévus pour le raccordement à des équipements d'extraction et de collecte de poussière, s'assurer qu'ils sont raccordés et utilisés comme il se doit.** L'utilisation d'un dispositif de captation des poussières peut réduire les dangers liés à la poussière.
- **Ne pas laisser la familiarité acquise par une utilisation fréquente de l'outil entraîner une baisse de la vigilance ou le non-respect des principes de sécurité.** Un geste imprudent peut entraîner des blessures graves en une fraction de seconde.

UTILISATION ET ENTRETIEN DE L'OUTIL ÉLECTRIQUE

- **Ne pas forcer sur l'outil.** Utiliser l'outil électrique adapté au travail à effectuer. L'outil électrique adapté assure un travail plus correct et plus sûr, au régime pour lequel il a été conçu.
- **Ne pas utiliser l'outil électrique si l'interrupteur ne le met pas en marche et à l'arrêt.** Tout outil électrique qui ne peut pas être commandé au moyen de l'interrupteur est dangereux et doit être réparé.
- **Débrancher la fiche de la source de courant ou la BATTERIE, si amovible, de l'outil électrique avant d'effectuer des ajustements, de changer d'accessoire ou de ranger l'outil électrique.** Ces mesures préventives réduisent le risque de démarrage accidentel de l'outil électrique.

- **Ranger les outils électriques inutilisés hors de la portée des enfants et interdire l'utilisation aux personnes non familiarisées avec l'outil électrique ou avec ces instructions.** Les outils électriques sont dangereux dans les mains d'utilisateurs inexpérimentés.
- **Entretenir les outils électriques et les accessoires.** Vérifier que l'outil électrique ne présente pas de pièces mobiles grippées ou désaxées, de pièces cassées ou d'autres problèmes susceptibles d'entraver son bon fonctionnement. En cas de dommage, faire réparer l'outil électrique avant de l'utiliser. De nombreux accidents sont causés par des outils électriques mal entretenus.
- **Garder les outils de coupe propres et affûtés.** Les outils de coupe bien entretenus et aux arêtes tranchantes sont moins susceptibles de se bloquer et sont plus faciles à maîtriser.
- **Utiliser l'outil électrique, les accessoires, les outils de coupe, etc. conformément à ces instructions, en tenant compte des conditions de travail et de la tâche à effectuer.** L'utilisation de l'outil électrique pour des travaux autres que ceux prévus peut donner lieu à des situations dangereuses.
- **Garder les poignées et les surfaces de prise sèches, propres et sans traces d'huile et de graisse.** Les poignées ou les surfaces de prise glissantes ne permettent pas une manipulation et un contrôle sécuritaires de l'outil lors de situations inattendues.

UTILISATION ET ENTRETIEN DE L'OUTIL À BATTERIE

- **Recharger uniquement avec le chargeur indiqué par le fabricant.** Un chargeur prévu pour un type de BATTERIE donné peut présenter un risque d'incendie s'il est utilisé avec une BATTERIE différente.
- **Utiliser l'outil électrique exclusivement avec les modèles de BATTERIE indiqués.** L'utilisation de BATTERIES différentes peut présenter un risque de blessure et d'incendie.
- **Lorsque la BATTERIE n'est pas utilisée, la garder à l'écart de petits objets métalliques, tels que trombones, pièces de monnaie, clés, clous, vis et autres, susceptibles de créer un contact entre deux bornes.** Un court-circuit entre des bornes de BATTERIE peut provoquer des brûlures ou un incendie.
- **Dans des conditions d'utilisation abusive, du liquide peut être éjecté de la BATTERIE; éviter de le toucher.** En cas de contact accidentel, rincer à l'eau. En cas de contact du liquide avec les yeux, consulter en outre un médecin. Le liquide éjecté par la BATTERIE peut provoquer une irritation ou des brûlures.
- **Ne pas utiliser une BATTERIE ou un outil endommagé ou modifié.** Les batteries endommagées ou modifiées peuvent présenter un comportement imprévisible, entraînant des incendies, des EXPLOSIONS ou des risques de blessures.
- **Ne pas exposer une BATTERIE ou un outil à un feu ou à une température excessive.** Une exposition au feu ou à une température supérieure à 130 °C (265 °F) peut provoquer une explosion.
- **Suivre toutes les instructions de charge et ne pas charger la BATTERIE ou l'outil à une température en dehors de la plage spécifiée dans les instructions.** Une charge incorrecte ou à des températures en dehors de la plage spécifiée risque d'endommager la batterie et d'augmenter le risque d'incendie.

RÉPARATION

- **Confier l'outil électrique à un réparateur qualifié utilisant exclusivement des pièces de rechange identiques.** Cela préserve la sécurité de l'outil électrique.
- **Ne jamais réparer les batteries endommagées.** La réparation des batteries ne doit être effectuée que par le fabricant ou des prestataires agréés.

** Le texte utilisé dans la section Mises en garde générales concernant les outils électriques est exigé par la norme EN 62841-1 applicable en vertu de laquelle cet outil est testé. Cette section présente les pratiques générales de sécurité pour de nombreux types d'outils électriques différents. Toutes les précautions ne s'appliquent pas à chaque outil, d'autres peuvent ne pas s'appliquer à cet outil.*

Renseignements de sécurité propres à l'outil

⚠ DANGER



Lors de l'utilisation et de l'entretien des outils et de l'équipement Greenlee, la sécurité est essentielle. Les instructions de ce manuel et les inscriptions sur l'outil fournissent des renseignements qui permettent d'éviter les dangers et les manipulations dangereuses liés à l'utilisation de cet outil. Respecter toutes les consignes de sécurité fournies dans ce mode d'emploi.

Avant d'utiliser cet outil, veiller à lire et comprendre :

- le présent mode d'emploi,
- les instructions relatives à tout autre équipement utilisé avec cet outil,
- les marquages sur l'outil,
- les procédures de sécurité requises sur le chantier.

Veiller à respecter toutes les instructions et mises en garde pour écarter les risques de blessures graves.

- **Ne toucher aucune partie de l'outil quand il est en contact avec une haute tension.** L'outil doit être considéré comme étant soumis à la même tension que le circuit.
- **Toujours suivre les procédures de haute tension appropriées, comme l'utilisation d'équipements de protection individuelle, lorsque le travail est effectué à proximité ou autour d'équipements ou de conducteurs à haute tension. Rester en dehors de la limite de l'éclat d'arc électrique conformément à la norme NFPA 70E pour le conducteur coupé afin de réduire le risque de blessure grave.** En l'absence de formation et de connaissance des exigences en matière de chantier et d'EPI, ne pas utiliser cet outil.
- **Ne pas utiliser sur des lignes électriques sous tension en mode Portable.** Cet outil n'est pas isolé, des blessures graves ou la mort peuvent survenir en cas de choc électrique et de clignotement en arc.

- **Seul un individu formé pour travailler à proximité ou sur des systèmes électriques haute tension doit utiliser cet outil.** Les tensions de fonctionnement auxquelles ces instruments sont soumis sont considérées comme étant conductrices et dangereuses, et sont mortelles. Des blessures graves, voire mortelles, peuvent se produire en cas d'utilisation incorrecte.
- **Toujours utiliser une perche isolante et suivre des pratiques rigoureuses de travail de la perche isolante lors de l'utilisation de cet outil en mode à distance, pour réduire le risque de blessures.**
- **Ne jamais laisser un autre conducteur haute tension ou un point de mise à la terre entrer en contact avec l'instrument pendant l'utilisation.** Toujours garder le boîtier de l'outil à l'écart de tous les conducteurs pour éviter de court-circuiter le circuit et de provoquer un clignotement d'arc qui pourrait entraîner des blessures graves, voire mortelles.

Le non-respect de ces avertissements peut entraîner des blessures graves ou la mort.

⚠ AVERTISSEMENT



- **Éloigner les doigts et les mains de la tête de l'outil au cours du cycle de fonctionnement. Retirer la batterie avant de toucher la tête de coupe ou de fixer/retirer l'adaptateur de perche isolante.** Les doigts et les mains peuvent être broyés, fracturés ou amputés s'ils sont pris dans la tête de l'outil ou entre la tête de l'outil et d'autres objets.
- **Ne pas couper de câble sous tension.** Le câble peut fouetter et frapper lorsqu'il est coupé et entraîner des blessures graves ou la mort.
- **Ne pas se tenir directement sous les câbles suspendus et cet outil lorsqu'il est fixé à une perche isolante.** Le câble ou l'outil peut tomber et provoquer des blessures graves, voire mortelles.
- **Une personne doit contrôler le processus de travail et le fonctionnement de la machine.** Seul l'opérateur doit manipuler l'outil et à distance pour réduire le risque de blessure.
- **Ne pas modifier l'outil.** La modification de l'outil de quelque manière que ce soit peut entraîner des blessures corporelles et des dommages à l'outil. Un outil doté d'une tête de coupe soudée, mise à la terre, percée ou modifiée de quelque manière que ce soit peut se casser pendant l'utilisation et jeter des pièces qui pourraient entraîner des blessures graves, voire mortelles.
- **Avant l'utilisation, inspecter l'outil et corriger tout problème afin de réduire le risque de blessure et d'éviter d'endommager le produit.** Si, au cours de l'inspection, un dommage de l'outil est noté ou suspecté, ou si de l'huile hydraulique fuit, ne pas utiliser l'outil. De grandes forces sont générées lors de l'utilisation et peuvent briser ou projeter des pièces et causer des blessures.

- **Confirmer le bon fonctionnement avant et après chaque utilisation afin de réduire le risque de blessures.**
- **Configurer l'outil et aménager la zone de travail conformément aux procédures suivantes pour réduire le risque de blessure.**

Le non-respect de ces avertissements peut entraîner des blessures graves ou la mort.

Coordonnées Greenlee

Pour toute question, demande de service ou achat de pièces ou d'accessoires pour ce produit Greenlee/HDE : communiquer avec le distributeur Greenlee local ou le centre de service à la clientèle de Greenlee.

Des exemplaires supplémentaires de ce mode d'emploi sont disponibles en téléchargement sur www.greenlee.com

Service à la clientèle Greenlee

États-Unis : 1 800 435-0786 | Canada : 800 435-0786

International : +1 815 397 7070

GRNCustomerService@emerson.com

Adresse d'expédition :

Greenlee Factory Service Center

4411 Boeing Dr., Rockford, IL 61109

Description de l'outil

Le coupe-câble à distance en ligne ES20LXR avec télécommande sans fil peut couper des câbles en cuivre et en aluminium multibrins ainsi que des câbles ACSR portable et à distance. Cet outil peut être monté sur une perche isolante pour les travaux sur et autour des lignes d'alimentation haute tension.

Caractéristiques

- Profils d'exploitation portable et à distance
- Support à perches isolantes
- Télécommande sans fil
- Se connecte à l'application I-Press de Greenlee
- Écran DELO
- Bouton de rétraction
- Frein électromagnétique
- Retrait automatique de la lame
- Rotation de la tête de 330°

Spécifications

ES20LXR

Capacité de coupe :

- Câble en cuivre et en aluminium jusqu'à 20 mm (0,78 po)
- ACSR 336.4 Merlin
- Barre de renfort 10 mm (3/8 po) (calendrier de barre d'armature 60)
- Fil de type torsadé 10 mm (3/8 po)
- Tige fileté 10 mm (3/8 po)
- Ces outils ne sont pas destinés à être utilisés dans des applications marines.

Longueur (avec batterie) : 387,35 mm (15,25 po)

Largeur : 75 mm (2,95 po)

Profondeur (avec batterie) : 125 mm (4,92 po)

Poids (avec batterie) : 2,63 kg (5,8 lbs)

Plage de température de fonctionnement : -10 °C à 40 °C (14 °F à 104 °F)

Émissions de bruit * : $L_{pA} = 66 \text{ dB(A)}$, $K_{pa} = 1,5 \text{ dB(A)}$
 $L_{WA} = 77 \text{ dB(A)}$, $K_{WA} = 2,5 \text{ dB(A)}$

Batterie d'outil : 18 V MAKITA® LXT® BL 1820, BL 1830, BL 1840, BL 1850, BL 1860

Batterie à distance : AA (LR03)

Chargeur de batterie Lire les instructions fournies avec le chargeur de batterie.

* Les mesures sonores et vibratoires sont mesurées conformément à un test normalisé conforme à la norme EN62481-1.

Les émissions sonores et vibratoires peuvent varier en fonction de votre emplacement et de l'utilisation spécifique de ces outils.

L_{pA} ne dépasse pas 70 dB(A).

La valeur totale des vibrations ne dépasse pas 2,5 m/s².

Les niveaux quotidiens d'exposition aux bruits et aux vibrations doivent être évalués pour chaque application et les mesures de sécurité appropriées doivent être prises au besoin.

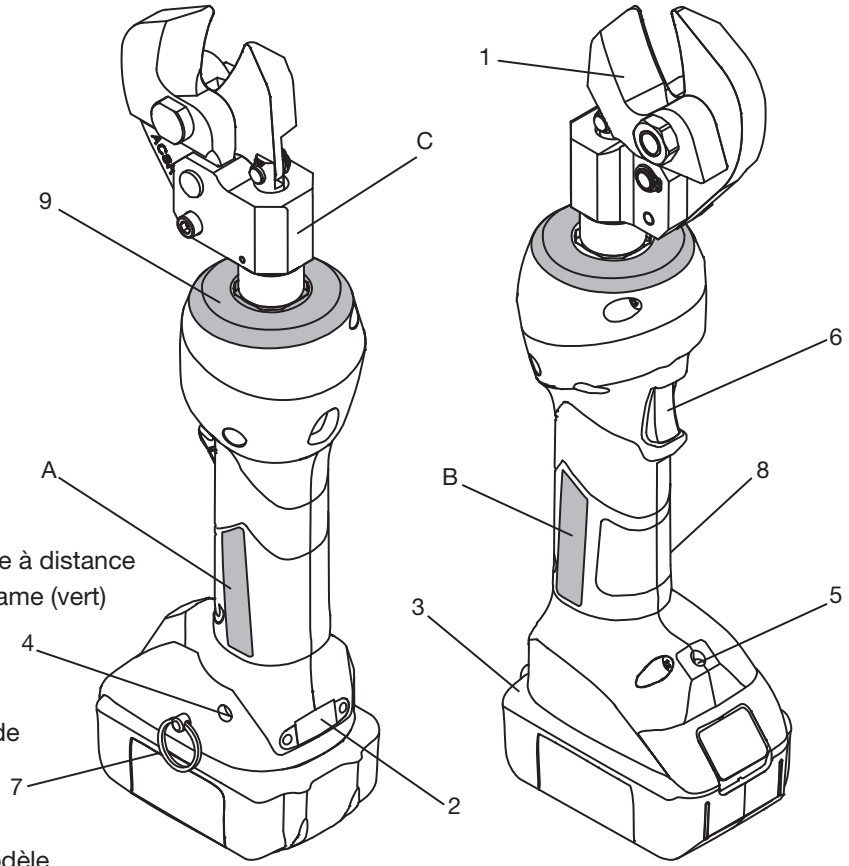
L'évaluation des niveaux d'exposition doit tenir compte de l'heure à laquelle un outil est éteint et non utilisé. Cela peut réduire considérablement le niveau d'exposition sur la période de travail totale.

GATOR est une marque américaine déposée de Greenlee Tools, Inc.

Toutes les spécifications sont nominales et peuvent changer en fonction des améliorations apportées à la conception.

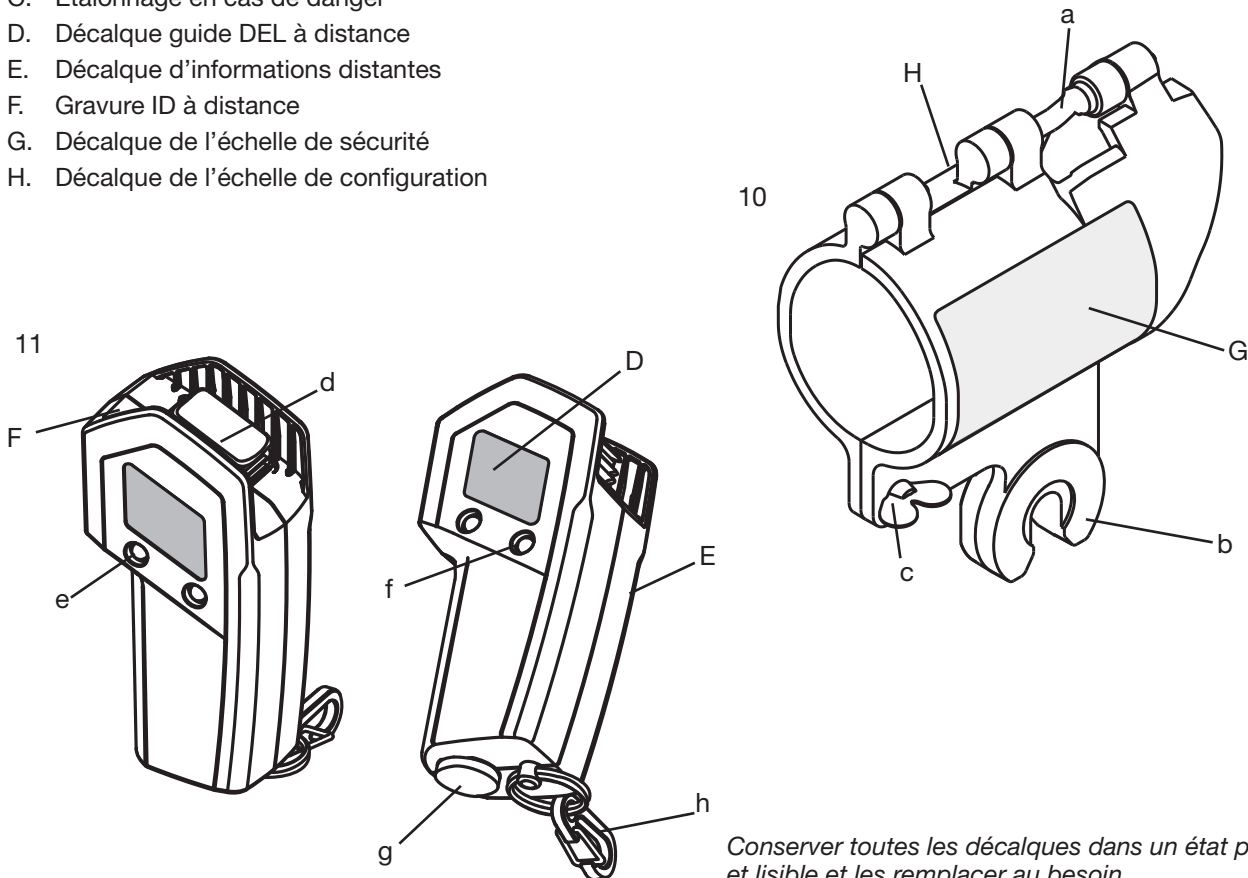
Identification de l'outil

1. Tête de coupe
2. Écran DELO
3. Batterie
4. Voyant à DEL (rouge)
5. Lampe de travail à DEL (blanche)
6. Gâchette
7. Anneau de dragonne
8. Boîtier
9. Bague d'identification de l'outil distant
10. Support à perches isolantes
 - a. Verrou de gâchette
 - b. Adaptateur à cannelure universelle
 - c. Verrouillage de l'écrou papillon
11. À distance
 - d. Interrupteur à bascule de commande à distance
 - e. Voyant à DEL de mouvement de la lame (vert)
 - f. Voyant à DEL de connectivité sans fil (bleu)
 - g. Couvercle du port de batterie
 - h. Clip de transport de la télécommande



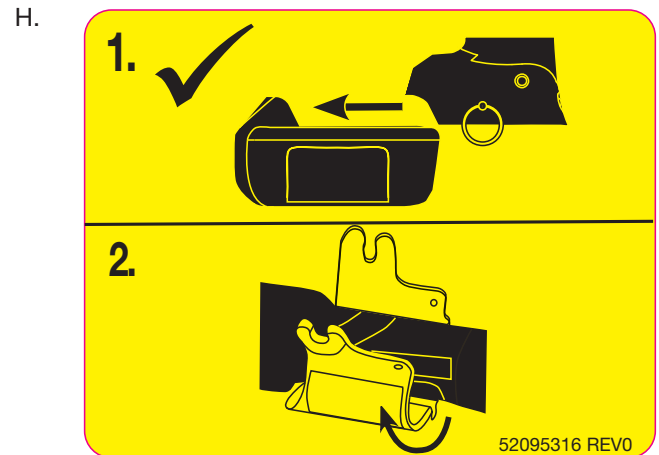
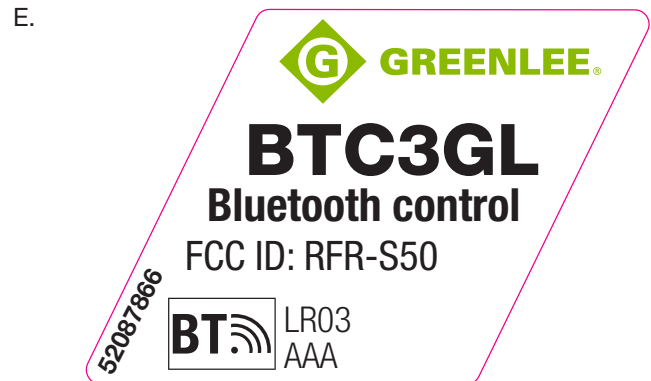
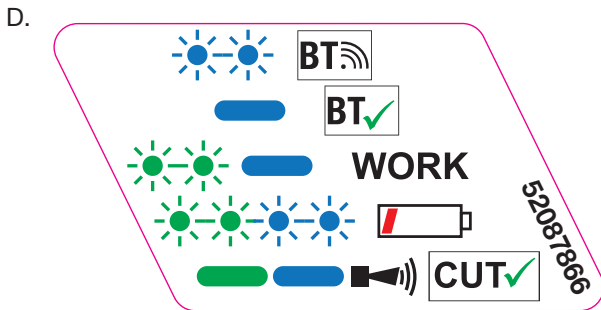
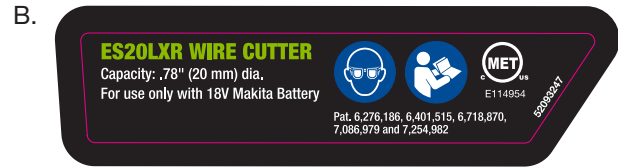
Décalques et marquages

- A. Décalque Gator®
- B. Valeur d'échelle des informations sur le modèle
- C. Étalonnage en cas de danger
- D. Décalque guide DEL à distance
- E. Décalque d'informations distantes
- F. Gravure ID à distance
- G. Décalque de l'échelle de sécurité
- H. Décalque de l'échelle de configuration



Conserver toutes les décalques dans un état propre et lisible et les remplacer au besoin.

Décalques et marquages (suite)



Tableaux des DEL et de l'écran DELO

Tableau 1 : Signaux à DEL de l'indicateur de l'outil







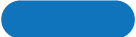




Signal	Voyant à DEL (rouge)	Signification	Action
Le voyant à DEL rouge reste allumé pendant 20 secondes après le relâchement de la gâchette.		Batterie déchargée	Changer ou charger la batterie.
Le voyant à DEL clignote pendant 20 secondes après le relâchement de la gâchette.		Le courant du moteur dépasse 20 A durant le cycle	Laisser l'outil refroidir
		L'outil est surchauffé	
Le voyant clignote pendant 20 secondes à la fin du cycle		Erreur interne	Envoyer pour réparation.


Tableau 2 : Signaux à DEL à distance

Signal	Voyant à DEL		Action
	Vert	Bleu	
Le voyant vert clignote. Le voyant vert reste éteint.			Recherche de signal sans fil.
Voyant bleu allumé en continu. Le voyant vert reste éteint.			Signal sans fil détecté et apparié.
Le voyant vert clignote et le voyant bleu est allumé en continu.			La lame de l'outil est en mouvement.
Les voyants verts et bleus clignent tous les deux.			La batterie de la télécommande est déchargée.
Voyant à DEL vert et bleu fixes.			La coupe est terminée. (Uniquement pour les produits équipés d'un capteur de position finale)

Écran DELO

L'écran DELO affiche des informations sur l'outil et permet de configurer les profils d'exploitation et d'afficher les codes d'erreur en cas de fonctionnement anormal (voir Dépannage). Allumer l'écran en insérant la batterie et en appuyant sur la gâchette.

Passer entre les divers affichages en utilisant les boutons de droite et de gauche des deux côtés de l'écran. Les écrans neycleront pas après l'appariage de la télécommande avec l'outil.

Affichage	Écran DELO	Information affichée
0		
1	P  PSI P PSI	État sans fils, charge de la batterie, pression actuelle, pression max. Garder enfoncés les deux boutons pour changer d'unité, sélectionner avec le bouton de droite et confirmer en actionnant l'outil.
2	INFO FW: 2.0 123456AB001	Version du microprogramme, numéro de série
3	CURRENT USER: 1 SINGLE CLICK MRS+	Écran de sélection du mode de profil pour choisir entre les fonctionnements de profil portable et à distance.
4	#ODS #DAYS	Cycles et jours jusqu'à la prochaine réparation.
5	TOTAL: T= 0.0h Q= 0.0Ah n= 0	Heures de fonctionnement écoulées (T), Ah utilisé (Q) et nombre de cycles (n) depuis la date de fabrication.

Application I-Press

Cet outil est doté de la fonctionnalité sans fils qui permet à l'outil de communiquer avec l'application I-Press Greenlee sur votre appareil intelligent.

1. Installer l'application « I-Press Klauke Software Solutions » à partir de l'App Store ou de Google Play. Ouvrir l'application sur votre appareil intelligent et sélectionner l'option « Greenlee ».
2. Se connecter à la fonction Bluetooth de son appareil intelligent et activer l'outil pour établir une connexion.

L'application permet de créer des projets, de personnaliser l'outil et d'afficher les mesures de pression de l'outil, la charge de la batterie, la date de la dernière réparation, etc.

Les instructions d'utilisation de l'application sont indiquées dans l'application I-Press elle-même; alternativement, demander une brochure MA6864 auprès de n'importe quel distributeur Greenlee.

Si l'outil est couplé à la télécommande, il ne se connectera pas à l'application.



i-Press est une marque déposée de Gustav Klauke GmbH

App Store est une marque déposée d'Apple Inc.

Google Play est une marque déposée de GOOGLE INC.

Formation et compétences

Ce produit est conçu pour être utilisé par des professionnels formés pour travailler sur des équipements électriques haute tension et à proximité. Les personnes non formées aux méthodes de travail requises pour un fonctionnement en toute sécurité ne doivent pas utiliser ce produit.

Toujours respecter toutes les consignes de formation et de sécurité du chantier relatives à l'électricité fournies par le secteur d'activité, le gouvernement et l'employeur. Voir également la norme OSHA pour la production, le transport et la distribution d'électricité (29 CFR 1910.269) et la norme NEC 70E : norme pour la sécurité électrique en milieu de travail.

Si nécessaire, par exemple pour l'installation, le retrait et la réparation de lignes alimentées à plus de 600 volts, s'assurer qu'au moins une deuxième personne formée et qualifiée est présente à une distance appropriée.

Inspection avant utilisation

AVERTISSEMENT



- **Retirer la batterie avant de toucher la tête de coupe ou de fixer/retirer l'adaptateur de perche isolante.** Les doigts et les mains peuvent être broyés, fracturés ou amputés s'ils sont pris dans la tête de l'outil ou entre la tête de l'outil et d'autres objets.
- **Avant l'utilisation, inspecter l'outil et corriger tout problème afin de réduire le risque de blessure et d'éviter d'endommager le produit.** Si pendant l'inspection, de l'huile hydraulique fuit de l'outil ou si des dommages à l'outil sont observés ou suspectés, ne pas utiliser l'outil. De grandes forces sont générées lors de l'utilisation et peuvent briser ou projeter des pièces et causer des blessures.

1. Enlever la batterie.
2. Nettoyer toute huile, graisse ou saleté du corps et de la tête de l'outil, y compris sur les poignées et les commandes. Un outil propre facilite l'inspection.
3. Vérifier l'absence d'usure et de dommages tels que fissures, entailles ou éclats dans le boîtier de l'outil. Ne pas utiliser l'outil si des pièces sont usées, corrodées, rouillées ou fissurées.
4. Vérifier les lames pour les copeaux ou les usure significatives. Remplacer les lames qui sont émoussées ou qui présentent des fissures, des rainures ou des copeaux avant de fonctionner pour une coupe propre. Ne pas aiguiser les lames, envoyer l'outil pour réparation.
5. Vérifier l'absence de fuites d'huile hydraulique. Ne pas utiliser si du plomb est détecté, envoyer pour réparation.
6. Tester la rotation de la tête, la tête doit être libre pour tourner presque un tour complet (330°). Si la tête fait une rotation de plus d'un tour complet, l'envoyer pour réparation.
7. Vérifier l'endommagement de l'adaptateur de perches isolantes et la présence de l'écrou papillon. Remplacer si l'adaptateur est endommagé ou si l'écrou papillon est manquant.
8. Vérifier que l'outil est assemblé correctement et est complet, ne pas l'utiliser si des pièces sont manquantes ou mal alignées.
9. Vérifier la présence et l'état des décalques.
10. Inspecter et entretenir tout autre équipement utilisé conformément à ses instructions pour s'assurer qu'il fonctionne correctement.

Si des problèmes sont détectés, ne pas utiliser l'outil tant qu'ils n'ont pas été corrigés.

Préparation de la zone de travail et de l'outil

AVERTISSEMENT



- **Confirmer le bon fonctionnement avant et après chaque utilisation afin de réduire le risque de blessures.**
- **Configurer l'outil et aménager la zone de travail conformément aux procédures suivantes pour réduire le risque de blessure.**
- **Ne pas modifier l'outil.** La modification de l'outil de quelque manière que ce soit peut entraîner des blessures corporelles et l'annulation de la garantie de l'outil. Une tête qui a été soudée, mise à la terre, percée ou modifiée de quelque manière que ce soit peut s'arrêter en cours d'utilisation. Pour réduire les risques de blessures, remplacer l'ensemble de la tête endommagée, jamais les composants individuels. Jeter les têtes endommagées à l'aide de méthodes d'élimination appropriées.

1. Toujours porter un EPI approprié pour réduire le risque de blessure.
2. Confirmer la sécurité des zones de travail (inspecter le chantier conformément aux exigences de spécifications de travail de l'OSHA et de l'employeur et consulter les avertissements généraux de sécurité des outils électriques). Travailler dans un endroit dégagé, plat, stable et sec.
3. Confirmer que le circuit est hors tension ou correctement mis à la terre. Respecter toutes les procédures du lieu de travail pour le contrôle de l'énergie dangereuse afin d'éviter toute activation involontaire pendant le travail. Toujours manipuler la ligne comme si elle était sous tension. Couper des câbles sous tension peut provoquer un éclat d'arc électrique ou entraîner la mort.
4. Inspecter le câble pour confirmer que le câble peut être coupé par cet outil, couper le mauvais type de câble peut endommager l'outil ou causer des blessures corporelles (voir Spécifications).
5. S'assurer que le chantier est facilement reconnaissable par les observateurs extérieurs afin d'éviter que des personnes ne viennent dans la zone pendant que l'outil est utilisé. Les barrières ou les cônes autour du chantier sont quelques-unes des façons de le faire.
6. Pour une utilisation à distance, identifier la perche isolante appropriée pour le fonctionnement et inspecter conformément aux directives de l'industrie.
7. S'assurer que tous les autres équipements ont été correctement inspectés.

Fonctionnement de l'outil

⚠ DANGER



- **Ne toucher aucune partie de l'outil quand il est en contact avec une haute tension.** L'outil doit être considéré comme étant soumis à la même tension que le circuit.
- **Toujours suivre les procédures de haute tension appropriées, comme l'utilisation d'équipements de protection individuelle, lorsque le travail est effectué à proximité ou autour d'équipements ou de conducteurs à haute tension. Rester en dehors de la limite de l'éclat d'arc électrique conformément à la norme NFPA 70E pour le conducteur coupé afin de réduire le risque de blessure grave.** En l'absence de formation et de connaissance des exigences en matière de chantier et d'EPI, ne pas utiliser cet outil.
- **Ne pas utiliser sur des lignes électriques sous tension en mode Portable.** Cet outil n'est pas isolé, des blessures graves ou la mort peuvent survenir en cas de choc électrique et de clignotement en arc.
- **Seul un individu formé pour travailler à proximité ou sur des systèmes électriques haute tension doit utiliser cet outil.** Les tensions de fonctionnement auxquelles ces instruments sont soumis sont considérées comme étant conductrices et dangereuses, et sont mortelles. Des blessures graves, voire mortelles, peuvent se produire en cas d'utilisation incorrecte.
- **Toujours utiliser une perche isolante et suivre des pratiques rigoureuses de travail de la perche isolante lors de l'utilisation de cet outil en mode à distance, pour réduire le risque de blessures.**
- **Ne jamais laisser un autre conducteur haute tension ou un point de mise à la terre entrer en contact avec l'instrument pendant l'utilisation.** Toujours garder le boîtier de l'outil à l'écart de tous les conducteurs pour éviter de court-circuiter le circuit et de provoquer un clignotement d'arc qui pourrait entraîner des blessures graves, voire mortelles.

⚠ AVERTISSEMENT



- **Éloigner les doigts et les mains de la tête de l'outil au cours du cycle de fonctionnement. Retirer la batterie avant de toucher la tête de coupe ou de fixer/retirer l'adaptateur de perche isolante.** Les doigts et les mains peuvent être broyés, fracturés ou amputés s'ils sont pris dans la tête de l'outil ou entre la tête de l'outil et d'autres objets.
- **Ne pas couper de câble sous tension.** Le câble peut fouetter et frapper lorsqu'il est coupé et entraîner des blessures graves ou la mort.

- **Ne pas se tenir directement sous les câbles suspendus et cet outil lorsqu'il est fixé à une perche isolante.** Le câble ou l'outil peut tomber et provoquer des blessures graves, voire mortelles.
- **Une personne doit contrôler le processus de travail et le fonctionnement de la machine.** Seul l'opérateur doit manipuler l'outil et à distance pour réduire le risque de blessure.

L'ES20LXR dispose de deux profils de coupe, portable et à distance. Un fonctionnement portable peut être utilisé pour couper le câble électrique ou les types appropriés de tiges et de fils métalliques. (voir Spécifications) Le fonctionnement à distance permet à l'opérateur d'être physiquement séparé de l'outil de coupe lors d'une coupe à l'aide d'une télécommande appariée spéciale et d'une perche isolante appropriée.

Portable

Avant l'utilisation, confirmer que les lignes à couper sont hors tension ou correctement mis à la terre.

1. Insérer la batterie
2. Tenir l'outil du côté de la batterie avec les deux mains pour regarder l'écran DELO sur l'outil. Appuyer et maintenir les deux boutons enfoncés pour afficher l'écran de sélection de l'utilisateur. Faire défiler les écrans à l'aide du bouton droit pour atteindre le profil souhaité.
3. Appuyer sur la gâchette d'outil pour activer le profil portable.
4. Soutenir l'outil et tenir les mains à l'écart de la tête de coupe, double-cliquer et maintenir la gâchette enfoncée pendant un cycle complet pour tester l'outil. Le voyant à DEL blanc restera allumé pendant le fonctionnement et pendant 10 secondes après la libération de la gâchette.
5. La tête de coupe s'ouvrira automatiquement à la fin d'un cycle de coupe. La lame ne bougera pas dans le profil à distance sans entrée de la télécommande.
6. Si nécessaire, appuyer et maintenir le bouton Rétracter enfoncé pour remettre la lame en position ouverte. Positionner l'outil de sorte que le câble soit dans la tête de coupe ouverte.
7. Maintenir l'outil stable et positionner l'outil à 90° au câble (Fig. 1). Ne pas tordre la pièce de travail ou l'outil pendant le fonctionnement de la coupe, cela pourrait entraîner une défaillance de la lame.

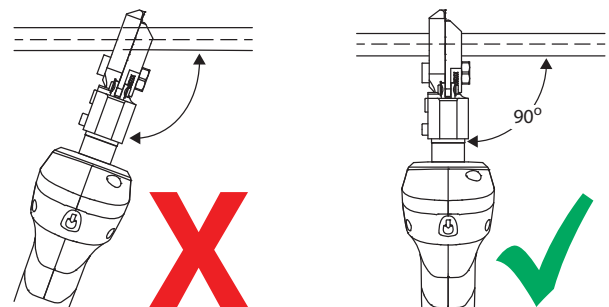


Figure 1

8. Appuyer deux fois et maintenir la gâchette jusqu'à ce que la coupe soit terminée. Le processus de coupe peut être interrompu à tout moment en libérant la gâchette et la lame peut être rétractée avec le bouton de rétractation sur l'outil.
9. Retirer la batterie avant de configurer une autre coupe ou de ranger l'outil.

Remarque : l'outil s'éteint automatiquement lorsqu'il reste inactif pendant 15 minutes. Ceci sera indiqué par un compte à rebours sur l'écran DELO. Appuyer sur la gâchette ou sur n'importe quel bouton pour réinitialiser le compte à rebours.

À distance

1. Fixer le coupe-câble sur la perche isolante.
 - i. Retirer la batterie avant de fixer le support à perches isolantes à l'outil. Des blessures graves peuvent résulter de l'activation inattendue du cycle de coupe.
 - ii. Dévisser l'écrou papillon pour ouvrir le support.
 - iii. Ouvrir le montage et le placet autour du boîtier du coupe-câble à distance en ligne. Aligner la charnière avec la gâchette (Fig. 2).

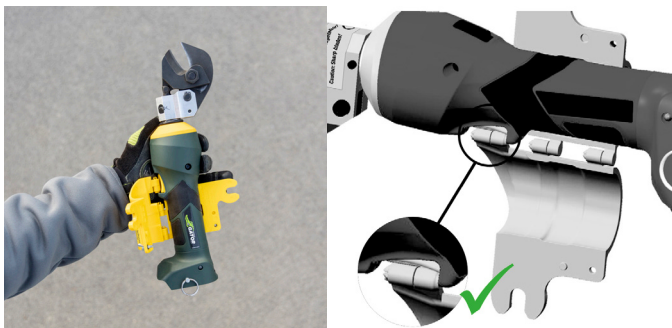


Figure 2

- iv. Fermer le support autour de la poignée de sorte que la charnière appuie sur la gâchette.
- v. Serrer l'écrou d'aile et la vis de façon à ce que le montage soit bien fixé et appuyer sur la gâchette (Fig. 3).



Figure 3

- vi. Aligner la tête de perche isolante et l'adaptateur universel à cannelure à perches isolantes (Fig. 4).



Figure 4

- vii. Insérer le bouton de montage de la perche isolante du côté de l'outil et tourner suffisamment pour le fixer à l'extrémité de la perche isolante. Desserrer suffisamment le bouton pour permettre le réglage de la position, puis serrer pour engager les dents afin de maintenir le coupe-câble en position (Fig. 5).



Figure 5

2. Insérer la batterie une fois que l'outil est fixé à la perche isolante.
3. Garder les mains à l'écart de la tête de coupe et de l'outil de support pour regarder l'écran DELO. Appuyer et maintenir les deux boutons enfoncés pour afficher l'écran de sélection de l'utilisateur. Faire défiler les écrans à l'aide du bouton droit pour atteindre le profil à distance.
4. Appuyer sur le commutateur à bascule sur la télécommande pour activer le mode à distance. Le voyant à DEL bleu de la télécommande commence à clignoter.
5. Attendre que l'identifiant de la télécommande apparaisse sur l'écran, puis appuyer sur le bouton situé à côté du nom de l'écran DELO. L'identifiant de la télécommande se trouve en face du dessus de l'étiquette de signal de la télécommande.

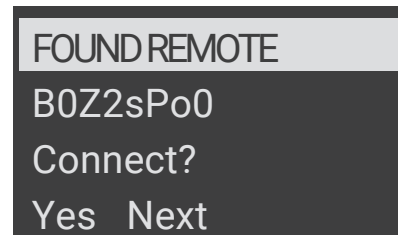


Figure 6

- À l'invite de l'écran de l'outil, appuyer sur le commutateur de télécommande pour terminer l'appariement. L'appariement est terminé avec le voyant à DEL bleu qui s'arrête de clignoter et reste fixe.

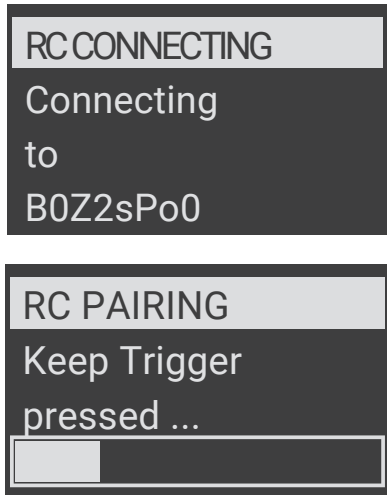


Figure 7

- Appuyer deux fois sur **Extend** (Étendre) sur le commutateur de télécommande pour activer le fonctionnement à distance (Fig. 8). Tester la connexion en double-cliquant et en maintenant le commutateur de télécommande enfoncé. À la fin d'un cycle de coupe, la lame s'ouvrira automatiquement.

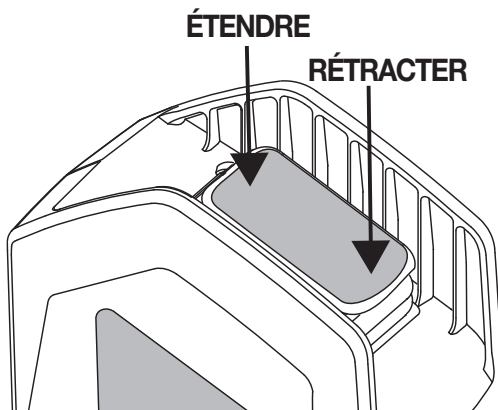


Figure 8

Lorsque la lame se déplace, le voyant à DEL vert de la télécommande clignote.

- Localiser un endroit pour se tenir qui offre une vue claire du câble à couper et qui ne se trouve pas directement sous le câble.
- Maintenir la perche isolante avec les deux mains et fixer l'extrémité de la perche isolante avec votre pied ou la paroi du panier pour réduire le risque de torsion ou de perte de contrôle de l'outil. Étendre la perche isolante et maintenir le bâtonnet incliné légèrement devant vous (Fig. 9).

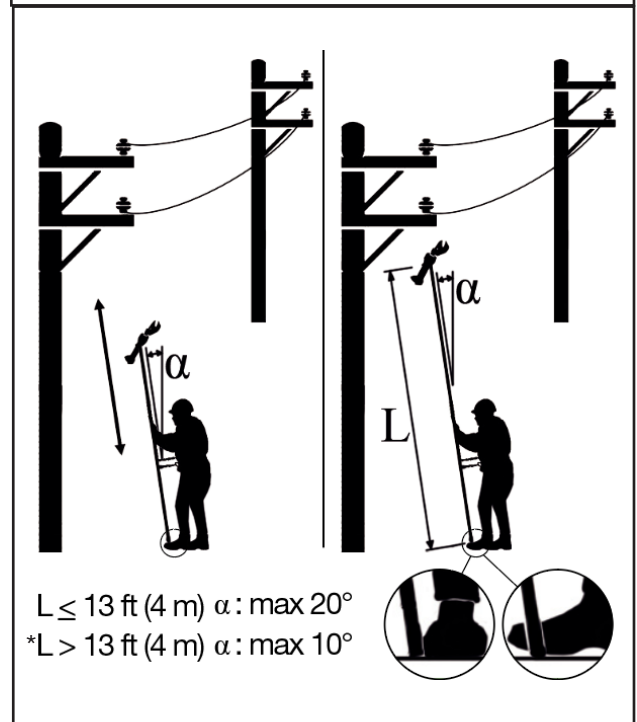
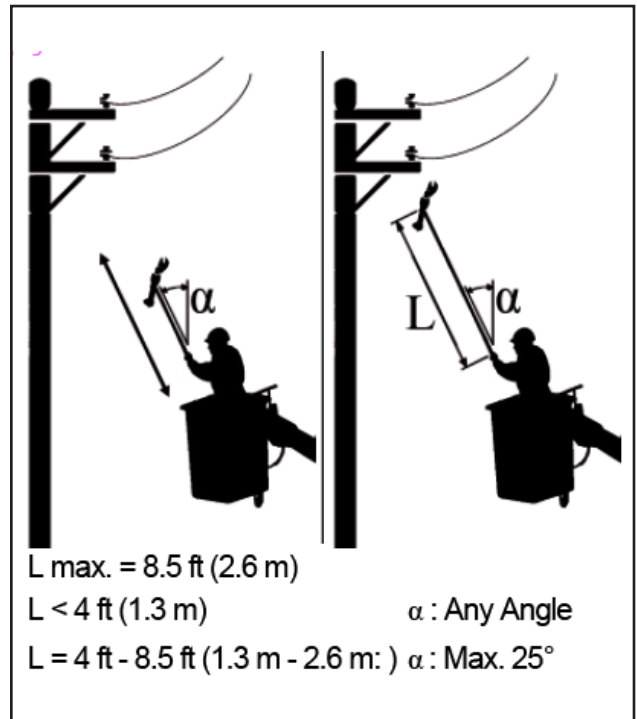


Figure 9

**Cet outil n'est pas certifié pour une utilisation avec des perches isolantes de plus de 4 m (13 pi). Il faut plus de résistance pour contrôler l'outil sur une perche isolante plus longue. Maintenir la perche isolante plus près du corps pour réduire le risque de perte de contrôle et de blessures.*

10. Positionner l'outil à 90° angle par rapport au câble (Fig. 10).

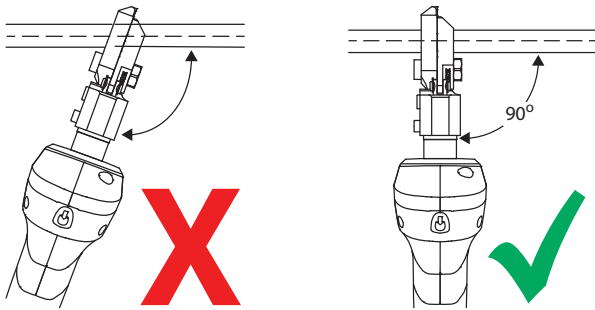


Figure 10

11. Appuyer deux fois sur **Extend** (Étendre) sur le commutateur de télécommande jusqu'à ce que la coupe soit terminée. Le processus de coupe peut être interrompu à tout moment en libérant le commutateur et la lame peut être rétractée en appuyant et en maintenant le bouton **Retract** (Rétracter) enfoncé sur le commutateur.

Si de longs câbles suspendus potentiellement sous tension sont coupés, faire attention au flux de courant et couper le câble d'une manière qui réduit le risque de chute de l'extrémité sous tension du câble (Fig. 11).

Si un câble tombe au sol et est sous tension, des niveaux mortels d'électricité peuvent être présents dans le sol autour de l'endroit où le câble est tombé.

Cela crée une zone de travail en direct contenant une tension d'étape potentiellement mortelle. La tension d'étape se produit lorsqu'une personne marche dans l'entonnoir de tension (Fig. 12). Ils sont électrocutés lorsqu'ils posent le pied vers le bas. La différence dans le potentiel électrique fait passer l'électricité à travers leur corps du pied de tension plus élevée au pied avec une tension inférieure.

Le sol dispersera l'électricité, ce qui signifie que plus une personne est éloignée de l'endroit où le câble sous tension touche le sol, plus le risque d'électricité mortelle est faible. La taille de la zone de travail en direct dépend de la tension du câble et augmentera en taille avec une tension plus élevée. La norme NESC 441* (Tableau 3) fournit des conseils sur la distance que l'opérateur et les spectateurs doivent prendre pour se trouver en dehors de la zone de travail en direct potentielle lors de la découpe du câble.

Si une zone est potentiellement sous tension, suivre tous les protocoles de sécurité définis par votre employeur et les organisations nationales de sécurité pour vous éloigner de la zone de travail en direct vers la zone de proximité et plus loin.

Retirer la batterie avant de configurer une autre coupe.

Remarque : l'outil s'arrêtera automatiquement après 30 min d'inactivité lorsqu'il est en mode à distance. Un compte à rebours s'affiche sur l'écran DELO et se réinitialise lorsque la télécommande est utilisée ou déconnectée.

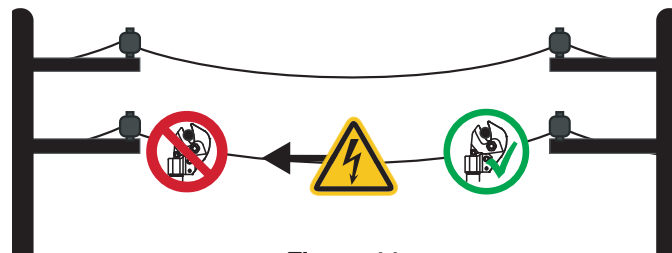


Figure 11

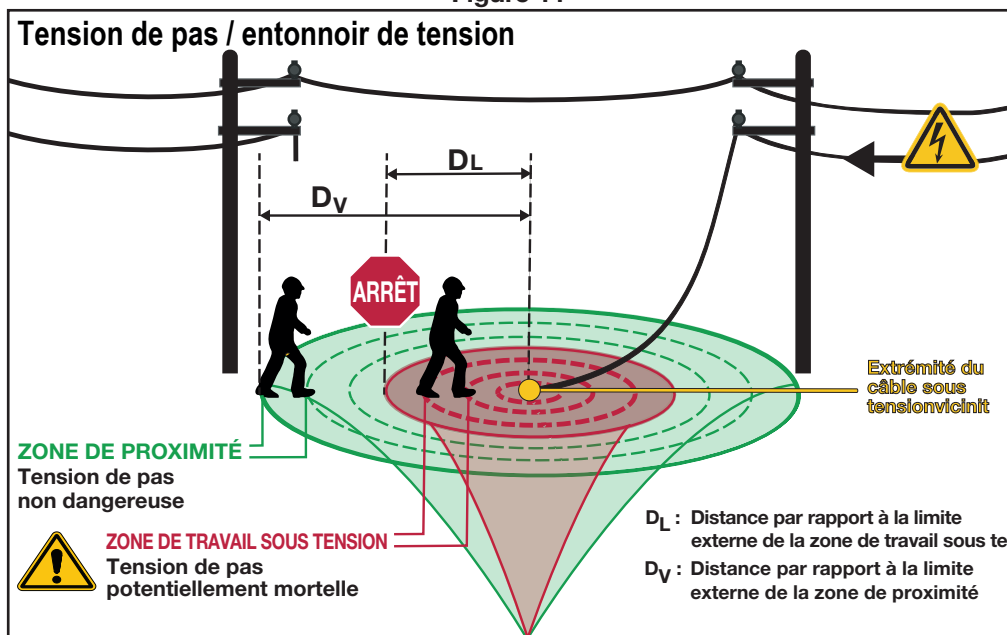


Figure 12

*Ces tableaux et chiffres sont destinés à fournir des conseils sur les distances de fonctionnement et ne remplacent pas une formation adéquate ou des politiques de sécurité de l'employeur dans les zones de travail à haute tension.

Tableau 3 : Distance d'approche minimale pour le travail en direct c.a. (Voir la règle NESC 441 dans son intégralité pour plus de détails)							
Phase à ◻◊▲ phase (kV)		Distance par rapport à l'employé*					
		Phase à terre		Phase à phase ⁺			
Min	Max	(m)	(pi-po)	(m)	(pi-po)	(m)	(pi-po)
0	0,050 ◻	Non spécifié		Non spécifié			
0,051	0,300 ◻	Éviter tout contact		Éviter tout contact			
0,301	0,750 ◻	0,32	1-1				
0,751	15,0	0,64	2-2	0,67		2-3	
15,1	36,0	0,73	2-5	0,87		2-10	
36,1	46,0	0,79	2-7	0,94		3-1	
46,1	72,5	0,89	2-11	1,15		3-9	
Distance entre l'employé et la pièce sous tension*							
Phase à ◻●■ phase (kV)		Distance entre l'employé et la pièce sous tension*					
		Sans outils Phase à terre		Avec outils ◊▲ Phase à terre		Avec outils Phase à phase	
Max	Min	(m)	(pi-po)	(m)	(pi-po)	(m)	(pi-po)
72,6	121,0	0,94	3-1	1,01	3-4	1,37	4-7
121,1	145,0	1,07	3-7	1,15	3-10	1,62	5-4
145,1	169,0	1,20	4-0	1,29	4-3	1,88	6-3
169,1	242,0	1,58	5-2	1,71	5-8	2,77	9-2
242,1	362,0	2,56	8-5	2,75	9-1	4,32	14-3
362,1	550,0	3,38	11-1	3,61	11-11	6,01	19-2
550,1	800,0	4,54	14-11	4,82	15-10	8,87	29-2

*Les distances indiquées correspondent à celles mesurées dans des conditions atmosphériques standard. Les données utilisées pour établir ce tableau proviennent de données de test relevées dans des conditions atmosphériques standard. Les conditions atmosphériques standard sont définies comme des températures supérieures au gel, des vents inférieurs à 15 mi/h ou 24 km/h, de l'air insaturé, du baromètre normal, de l'air non contaminant et des isolateurs propres et secs. Si les conditions atmosphériques standard n'existent pas, il convient de prendre des précautions supplémentaires.

◻ Pour les systèmes monophasés, utiliser la tension la plus élevée disponible.

◊ Pour les lignes monophasées partant de systèmes triphasés, utiliser les tensions de phase du système

▲ Les facteurs de mouvement accidentels utilisés dans ces tableaux sont les suivants :

0,301 kV à 0,750 kV = 1 pi

0,751 kV à 72,5 kV = 2 pi

72,6 kV à 800 kV = 1 pi

◊ Pour les tensions supérieures à 72,5 kV, les distances sont basées sur des altitudes inférieures à 900 m (3 000 pi) au-dessus du niveau de la mer. Pour les altitudes supérieures à 900 m (3 000 pi), la règle 441A6 s'applique.

● Les distances ont été calculées à l'aide des valeurs TOV suivantes :

72,6 kV à 362 kV = 3,0

362,1 kV à 550 kV = 2,4

550,1 kV à 800 kV = 2,0

■ Pour un travail à main nue où l'employé est au potentiel de ligne, cette distance est à un objet à un potentiel différent.

◆ Les distances pour les outils en ligne sous tension dans l'intervalle d'air ont été calculées en ajoutant un facteur d'outil au composant électrique (facteur d'outil IEEE 516 C2 1.1).

▲ Avec les outils signifie un outil de travail sous tension qui comble l'écart entre l'air et l'employé de la pièce sous tension.

+ Les valeurs d'écart d'air entre phase et phase ne sont pas disponibles. Si cette situation existe, une évaluation technique doit être effectuée.

Dépannage

1. Vérifier que la batterie est chargée. Si elle est déchargée, charger et revérifier la batterie après plusieurs minutes pour s'assurer qu'elle tient sa charge.
2. Retirer la batterie de l'outil.
3. Vérifier l'outil, voir Inspection avant utilisation.
4. Remettre la batterie en place et revérifier l'outil.

Consulter les tableaux ci-dessous pour trouver des solutions pour résoudre les problèmes possibles auxquels l'outil peut faire face. Pour faciliter le dépannage, le tableau DEL indicateur d'outil (p. 8) explique les signaux du voyant à DEL rouge sur l'outil qui peuvent survenir.

Problème	Cause possible	Solution	
L'outil ne s'active pas en appuyant sur la gâchette.	Contaminants (saleté, rouille, etc.) dans la tête de coupe.	Retirer soigneusement la batterie et nettoyer complètement la tête d'outil.	
	Pièces de l'outil usées ou endommagées.	Envoyer pour réparation.	
	Le moteur ne fonctionne pas.	Vérifier la charge de la batterie et la changer si nécessaire.	
		Vérifier la présence de composants de commutateur cassés et les envoyer pour réparation.	
	Profil de l'outil défini en mode À distance.	Passer le profil en mode Portable.	
	Batterie faible ou expirée.	Changer ou charger la batterie.	
L'outil ne s'active pas en appuyant sur le commutateur de télécommande.	Pièces cassées.	Envoyer pour réparation.	
	Profil de l'outil en mode Portable.	Passer le profil en mode À distance.	
	Récepteur sans fil endommagé.	Envoyer pour réparation.	
Le moteur tourne, mais l'outil n'exécute pas un cycle complet.	Une autre télécommande est associée à l'outil.	Retirer puis remplacer la batterie pour la réinitialiser et suivre les étapes pour configurer le profil distant.	
	Niveau d'huile bas	Envoyer pour réparation.	
	Air dans le circuit hydraulique.	Appuyer sur la gâchette et enfoncer simultanément le bouton de rétraction. Tenir environ 10 secondes, puis essayer de couper. Si cette opération ne réussit pas, contacter le service à la clientèle de Greenlee au 800-435-0786 pour obtenir une intervention de service ou de réparation au titre de la garantie.	
Le voyant à DEL rouge s'allume pendant 20 secondes.	Liquide hydraulique froid.	Appuyer sur la gâchette et enfoncer simultanément le bouton de rétraction pendant 10 à 20 secondes pour chauffer le liquide. Appuyer sur la gâchette et terminer un cycle. Répéter l'opération jusqu'à ce que l'outil termine un cycle avec succès.	
	Batterie faible	Charger ou changer la batterie.	
L'outil perd du liquide hydraulique.	Joint endommagé.	Envoyer pour réparation.	

Code d'erreur	Signification	Action
1	Surintensité du fusible	Demander une réparation
2	Surintensité du comparateur	Demander une réparation
3	Surchauffe du circuit imprimé	Refroidir l'outil
4	Surchauffe de la batterie	Refroidir la batterie
5	Batterie épuisée : le fonctionnement cesse	Charger la batterie
6	Coupe incorrecte; cycle complété	Demander une réparation
7	Coupe incorrecte; cycle non complété	Demander une réparation
8	Batterie faible	Charger la batterie
9	Batterie vide	Charger la batterie
10	Batterie d'horloge en temps réel faible	Demander une réparation
11	Outil désactivé	Demander une réparation
12	Réparation requise	Demander une réparation
13	Horloge en temps réel introuvable	Réinsérer la batterie Demander une réparation
14	Unité Bluetooth® sans fil introuvable	Réinsérer la batterie Demander une réparation
15	[Non utilisé]	
16	Capteur de pression introuvable	Demander une réparation
17	Pression dépassée	Demander une réparation
18	Température de la batterie trop faible	Chauffer la batterie
21	Batterie de télécommande faible	Changer la batterie

Transport et entreposage

Retirer l'outil de la perche isolante et la batterie de l'outil avant de le transporter ou de le conserver. Conserver l'outil dans un endroit frais et sec dans le boîtier fourni avec le dispositif à distance.

Réparation

⚠ AVERTISSEMENT

- **La réparation de l'outil doit être effectuée uniquement par un technicien qualifié.** Toute réparation ou toute opération d'entretien effectuée par du personnel non qualifié peut entraîner des blessures.
- **Lors de la réparation d'un outil, utiliser uniquement des pièces de rechange identiques.** L'utilisation de pièces non autorisées ou le non-respect des instructions d'entretien peut entraîner un risque de décharge électrique ou de blessure.

À 3 ans ou 10 000 cycles, planifier une maintenance d'usine. L'entretien en usine comprend des inspections générales, le remplacement de l'huile hydraulique diélectrique de l'outil et le test de l'outil par des techniciens formés.

Lorsque la date de l'entretien en usine approche ou arrive, contacter le service clientèle de Greenlee. Des expéditions accélérées sont disponibles.

Entretien

⚠ AVERTISSEMENT

- **Retirer la batterie avant de toucher la tête de coupe ou de fixer/retirer l'adaptateur de perche isolante.** Les doigts et les mains peuvent être broyés, fracturés ou amputés s'ils sont pris dans la tête de l'outil ou entre la tête de l'outil et d'autres objets.
- **Entretien cet outil conformément aux procédures suivantes.** N'effectuer aucune opération d'entretien autre que celles décrites dans ce manuel. Cela pourrait entraîner des blessures ou des dommages à l'outil.
- **Ne pas modifier l'outil.** La modification de l'outil de quelque manière que ce soit peut entraîner des blessures corporelles et des dommages à l'outil. Un outil doté d'une tête de coupe soudée, mise à la terre, percée ou modifiée de quelque manière que ce soit peut se casser pendant l'utilisation et jeter des pièces qui pourraient entraîner des blessures graves, voire mortelles.

Retirer la batterie avant d'effectuer toute maintenance.

Nettoyer le boîtier avec un chiffon humide et un détergent doux après utilisation. Laisser l'outil sécher complètement avant de remplacer la batterie.

Ne pas tenter d'ouvrir l'outil. Il ne contient aucune pièce réparable par l'utilisateur.

Équipement et pièces de rechange en option

Kits de réparation	
N°. CAT.	Description
BTC3-CK	KIT DE CONV. BHT
BTC3GL	COMMANDE À DISTANCE, COMMANDE BHT
BTC3-TJ	ADAPTATEUR DE PERCHE ISOLANTE
52177	BATTERIE, 18 V LI ION 2.0 AH (EMBAL.)
52178	CHARGEUR DE BATTERIE 120 V (EMBAL.)
52179	CHARGEUR DE BATTERIE 230 V (EMBAL.)
52180	CHARGEUR DE BATTERIE 12 V (EMBAL.)
CP1	POCHE (EMBAL.)

Mise au rebut

Certaines parties de ces outils contiennent des matériaux précieux et peuvent être recyclées. Il existe des entreprises spécialisées dans le recyclage localement. Éliminer les composants en conformité avec toutes les réglementations applicables. Communiquer avec l'organisme de gestion des déchets local pour plus de renseignements.



Pour les pays de l'UE : Ne pas jeter d'équipements électriques avec les ordures ménagères. Conformément à la directive européenne 2012/19/UE relative aux déchets provenant des équipements électriques et électroniques et à sa mise en œuvre dans la législation nationale, les équipements électriques qui ne sont plus utilisables doivent être collectés séparément et mis au rebut de manière appropriée.

Déclarations requises

Modèle ES20LXR—FCC ID : RFR-S50; IC ID : 4957A-S50

Exigences américaines :

Partie responsable : Greenlee Tools, Inc. Rockford, IL 61109, États-Unis

Remarque : Ce matériel a été contrôlé et déclaré conforme aux limites fixées pour les dispositifs numériques de Classe A, en vertu de la partie 15 de la réglementation FCC. Ces limites sont destinées à offrir une protection raisonnable contre les brouillages préjudiciables lorsque le matériel est utilisé dans un environnement commercial. Ce matériel produit, utilise et peut rayonner de l'énergie haute fréquence et, s'il n'est pas installé et utilisé conformément au mode d'emploi, pourrait causer un brouillage préjudiciable aux communications radio. L'utilisation de ce matériel dans une zone résidentielle est susceptible de causer un brouillage préjudiciable, auquel cas l'utilisateur devra corriger le brouillage à ses propres frais.

Ce dispositif respecte les conditions d'exclusion du test du débit d'absorption spécifique (SAR) relatif à l'exposition à la radiofréquence (RF) s'appliquant aux dispositifs portatifs, si une distance minimale est observée. Toutefois, le dispositif doit être utilisé de sorte que, lors de son fonctionnement normal, le risque de contact avec l'être humain soit réduit au maximum.

Exigences canadiennes :

Cet appareil est conforme aux normes RSS d'exemption de licence d'Industrie Canada. L'exploitation est autorisée aux deux conditions suivantes :

- (1) L'appareil ne doit pas produire de brouillage, et*
- (2) L'appareil doit accepter tout brouillage reçu, y compris le brouillage susceptible de provoquer un fonctionnement indésirable de l'appareil.*

Le présent appareil est conforme aux CNR d'Industrie Canada applicables aux appareils radio exempts de licence. L'exploitation est autorisée aux deux conditions suivantes :

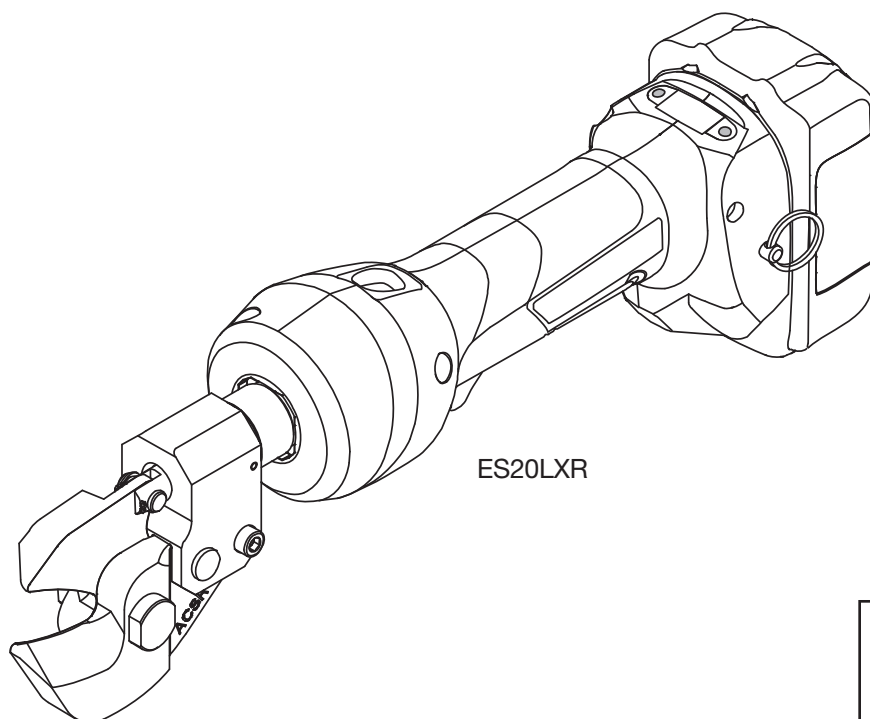
- 1) l'appareil ne doit pas produire de brouillage;*
- 2) l'utilisateur de l'appareil doit accepter tout brouillage radioélectrique subi, même si le brouillage est susceptible d'en diminuer le fonctionnement.*

MANUAL DE INSTRUÇÕES

COPIA DE INSTRUÇÕES ORIGINAIS



Registre o número de série aqui



ES20LXR

English	1-20
Español	21-40
Français	41-60

Cortador de cabos à distância em linha com controle remoto sem fio



Antes de operar ou realizar manutenção nesta ferramenta, **leia e compreenda** todas as instruções e informações de segurança deste manual.

GUARDE ESTE MANUAL

Índice

Tecla de símbolos de segurança.....	63
Avisos gerais de segurança*	64
Informações específicas de segurança da ferramenta	65
Informações de contato da Greenlee.....	66
Descrição da ferramenta.....	67
Especificações	67
Identificação da ferramenta.....	68
Adesivos e locais.....	69
Sinais do LED indicador da ferramenta.....	70
Sinais de LED do controle remoto	70
Tela OLED.....	70
Aplicativo I-Press	71
Treinamento e qualificações.....	71
Inspeção pré-operação	71
Área de trabalho e configuração da ferramenta.....	72
Operação da ferramenta	73
Manual.....	73
À distância.....	74
Resolução de problemas	78
Transporte e armazenamento.....	79
Manutenção	79
Manutenção	79
Equipamentos opcionais e peças para reparo.....	79
Descarte	80
Declarações necessárias.....	80

GUARDE ESTAS INSTRUÇÕES

Tecla de símbolos de segurança

Neste manual do operador e no produto, são usados símbolos de segurança e sinalizações para comunicar informações importantes sobre segurança. Esta seção é disponibilizada para melhorar a compreensão desses símbolos e sinalizações.



Este é o símbolo do alerta de segurança. Ele é usado para alertá-lo sobre possíveis riscos de lesões corporais. Obedeça a todas às mensagens de segurança que acompanham este símbolo a fim de evitar possíveis ferimentos ou morte.

PERIGO

indica uma situação perigosa que, se não evitada, RESULTARÁ em morte ou ferimentos graves.

AVISO

indica uma situação perigosa que, se não evitada, PODERIA resultar em morte ou ferimentos graves.

ATENÇÃO

indica riscos ou práticas perigosas que, se não forem evitados, PODEM resultar em ferimentos ou danos à propriedade.



Este símbolo significa ler o manual do operador cuidadosamente antes de usar o equipamento. O manual do operador contém informações importantes sobre a operação segura e adequada do equipamento.



Este símbolo indica o uso constante de óculos de segurança com proteções laterais, ou óculos de proteção, ao manusear ou usar este equipamento a fim de reduzir o risco de lesões oculares.



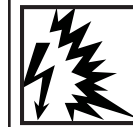
Sempre use luvas ao manusear ou usar este equipamento para reduzir o risco de ferimentos.



Este símbolo indica o uso constante de protetores auriculares ao usar este equipamento para reduzir o risco de lesões.



Este símbolo indica o risco de choque elétrico.



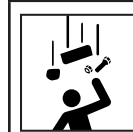
Este símbolo indica o risco de arco elétrico.



Este símbolo indica o risco de componentes se soltarem e atingirem pessoas nas proximidades.



Este símbolo indica o risco de uma mangueira ou corda chicotear e causar ferimentos.



Este símbolo indica que há risco de ferimentos causados por objetos que caem.



Este símbolo indica o risco de as mãos, os dedos ou outras partes do corpo serem cortadas ou ficarem gravemente presas entre os elementos cortantes.

Avisos de segurança gerais*

⚠ AVISO



Leia todos os avisos de segurança, instruções, ilustrações e especificações fornecidas com esta ferramenta elétrica. O não cumprimento de todas as instruções listadas abaixo pode resultar em choque elétrico, incêndio e/ou ferimentos graves.

GUARDE TODOS OS AVISOS E INSTRUÇÕES PARA REFERÊNCIA FUTURA.

O termo “ferramenta elétrica” que consta nos avisos refere-se à ferramenta de alimentação acionada por corrente elétrica (com fio) ou ferramenta de alimentação acionada por bateria (sem fio).

SEGURANÇA NA ÁREA DE TRABALHO

- **Mantenha a sua área de trabalho limpa e bem iluminada.** Áreas desorganizadas ou escuras causam acidentes.
- **Não opere as ferramentas elétricas em atmosferas explosivas, como na presença de líquidos inflamáveis, gases ou poeira.** As ferramentas elétricas geram faíscas que podem causar ignição em contato com poeira ou fumaça.
- **Mantenha as crianças e os espectadores afastados durante a operação de uma ferramenta elétrica.** As distrações podem fazer com que você perca o controle.

SEGURANÇA ELÉTRICA

- **Os plugues da ferramenta elétrica devem corresponder à tomada. Não modifique o plug sob nenhuma circunstância.** Não use plugues com adaptadores nas ferramentas elétricas aterradas. Plugues não modificados e tomadas correspondentes reduzirão o risco de choque elétrico.
- **Evite o contato do corpo com superfícies aterradas, como tubulações, radiadores, estufas e refrigeradores.** Há um aumento de risco de choque elétrico se o seu corpo estiver aterrado.
- **Não exponha as ferramentas elétricas a condições de chuva ou de umidade.** A entrada de água em uma ferramenta elétrica aumentará o risco de choque elétrico.
- **Não use o cabo de forma inadequada. Nunca use o cabo para transportar, puxar ou desconectar a ferramenta elétrica.** Mantenha o cabo longe de calor, óleo, bordas afiadas ou peças móveis. Cabos danificados ou emaranhados aumentam o risco de choque elétrico.
- **Ao operar uma ferramenta elétrica em ambientes externos, use um cabo de extensão adequado para uso externo.** O uso de um cabo adequado para uso externo reduz o risco de choque elétrico.
- **Se for inevitável a operação de uma ferramenta elétrica em um local úmido, use uma fonte protegida por um disjuntor diferencial residual (DDR).** O uso de um DDR reduz o risco de choque elétrico.

SEGURANÇA PESSOAL

- **Permaneça alerta, observe o que está fazendo e use o bom senso ao operar uma ferramenta elétrica.** Não use uma ferramenta elétrica quando estiver cansado ou sob a influência de drogas, álcool ou medicamentos. Um momento de desatenção durante a operação das ferramentas elétricas pode resultar em lesões corporais graves.
- **Use equipamento de proteção pessoal (EPI).** Sempre use proteção para os olhos. Equipamentos de proteção como máscara contra poeira, calçados de segurança antiderrapantes, capacete ou proteção auricular usados para condições adequadas reduzirão lesões corporais.
- **Evite acionamento não intencional.** Verifique se o interruptor está na posição desligada antes de fazer a conexão com a fonte de alimentação e/ou a BATERIA, reposicionar ou transportar a ferramenta. Transportar ferramentas elétricas com o dedo no interruptor ou energizá-las com o interruptor ligado pode causar acidentes.
- **Remova quaisquer chaves de ajuste antes de ligar a ferramenta elétrica.** Uma chave deixada presa a uma parte giratória da ferramenta elétrica pode resultar em lesões corporais.
- **Não ultrapasse os limites.** Mantenha sempre a posição dos pés e o equilíbrio adequados. Isso permite um melhor controle da ferramenta elétrica em situações inesperadas.
- **Vista-se adequadamente.** Não use roupas soltas ou joias. Mantenha seu cabelo, roupas e luvas longe das partes móveis. Roupas soltas, joias ou cabelos longos podem se prender em partes móveis.
- **Se forem disponibilizados dispositivos para conexão de instalações para extração e coleta de poeira, certifique-se de que eles estejam conectados e que serão usados corretamente.** O uso da coleta de poeira pode reduzir os riscos relacionados à poeira.
- **Não permita que a familiaridade obtida com o uso frequente de ferramentas o torne negligente e o faça ignorar os princípios de segurança da ferramenta.** Uma ação desatenta pode causar lesões graves em uma fração de segundo.

USO E CUIDADO DA FERRAMENTA ELÉTRICA

- **Não force a ferramenta elétrica.** Use a ferramenta elétrica correta para a sua aplicação. A ferramenta elétrica correta realizará o trabalho melhor e de forma mais segura na velocidade para a qual foi projetada.
- **Não use a ferramenta elétrica se o interruptor não a ligar ou desligar.** Toda ferramenta elétrica que não possa ser controlada com o interruptor é perigosa e deve ser reparada.
- **Desconecte o plugue da fonte de alimentação e/ou remova a BATERIA, se removível, da ferramenta elétrica antes de fazer qualquer ajuste, trocar acessórios ou armazenar ferramentas elétricas.** Essas medidas preventivas de segurança reduzem o risco de acionar a ferramenta elétrica acidentalmente.
- **Guarde as ferramentas elétricas que não estejam sendo utilizadas fora do alcance de crianças e não permita que pessoas não familiarizadas com a ferramenta elétrica ou com essas instruções operem a ferramenta elétrica.** As ferramentas

elétricas são perigosas nas mãos de usuários não treinados.

- **Manutenção de ferramentas elétricas e acessórios.** Verifique se há desalinhamento ou peças móveis emperradas, peças danificadas e qualquer outra condição que possa afetar o funcionamento da ferramenta elétrica. Se estiver danificada, repare a ferramenta elétrica antes do uso. Muitos acidentes são causados por ferramentas elétricas mal conservadas.
- **Mantenha as ferramentas de corte afiadas e limpas.** Ferramentas de corte mantidas com bordas de corte afiadas de forma adequada têm menos probabilidade de emperrar e são mais fáceis de controlar.
- **Use a ferramenta elétrica, acessórios e as pontas de ferramenta etc. de acordo com estas instruções, considerando as condições de trabalho e o trabalho a ser realizado.** O uso da ferramenta elétrica para operações diferentes das propostas pode resultar em uma situação perigosa.
- **Mantenha as alças e as superfícies de preensão secas, limpas e livres de óleo e graxa.** Alças e superfícies de preensão escorregadias não permitem o manuseio seguro e o controle da ferramenta em situações inesperadas.

USO E CUIDADO DA BATERIA DA FERRAMENTA

- **Recarregue somente com o carregador especificado pelo fabricante.** Um carregador adequado para um tipo de BATERIA pode criar um risco de incêndio quando usado com outro conjunto de BATERIAS.
- **Use a ferramenta elétrica somente com os conjuntos de BATERIA especificamente designados.** O uso de qualquer outro conjunto de BATERIAS pode criar um risco de lesão e incêndio.
- **Quando a BATERIA não estiver em uso, mantenha-a afastada de outros objetos metálicos, como clipe de papel, moedas, chaves, pregos, parafusos ou outros pequenos objetos metálicos que possam fazer uma conexão de um terminal para outro.** O curto-circuito dos terminais da BATERIA pode causar queimaduras ou incêndio.
- **Sob condições abusivas, o líquido pode ser ejetado da BATERIA; evite o contato.** Se ocorrer o contato acidentalmente, enxágue com água. Se o líquido entrar em contato com os olhos, procure ajuda médica. O líquido ejetado da BATERIA pode causar irritação ou queimaduras.
- **Não use uma BATERIA ou ferramenta que esteja danificada ou modificada.** Baterias danificadas ou modificadas podem apresentar comportamento imprevisível, resultando em incêndio, EXPLOSÃO ou risco de lesão.
- **Não exponha uma BATERIA ou ferramenta ao fogo ou à temperatura excessiva.** A exposição ao fogo ou à temperatura acima de 130°C (265°F) pode causar explosão.
- **Siga todas as instruções de carregamento e não carregue a BATERIA ou a ferramenta fora da faixa de temperatura especificada nas instruções.** O carregamento indevido ou temperaturas fora do intervalo especificado podem danificar a bateria e aumentar o risco de incêndio.

MANUTENÇÃO

- **A sua ferramenta elétrica deve ser reparada por um técnico qualificado, usando apenas peças de reposição idênticas.** Isso garantirá que a segurança da ferramenta elétrica será mantida.
- **Nunca repare conjuntos de baterias danificados.** A manutenção dos conjuntos de baterias deve ser realizada apenas pelo fabricante ou prestadores de serviços autorizados.

** O texto usado na seção "Avisos gerais de segurança das ferramentas elétricas" deste manual é exigido pela norma EN 62841-1 aplicável, para a qual esta ferramenta foi testada. Esta seção contém práticas gerais de segurança para muitos tipos diferentes de ferramentas elétricas. Nem toda precaução se aplica a toda ferramenta e algumas podem não se aplicar a esta ferramenta.*

Informações específicas de segurança da ferramenta

⚠ PERIGO



A segurança é essencial no uso e manutenção de ferramentas e equipamentos Greenlee. Este manual de instruções e todas as marcações na ferramenta fornecem informações para evitar riscos e práticas perigosas relacionadas ao uso desta ferramenta. Observe todas as informações de segurança fornecidas neste manual.

Antes de operar esta ferramenta, leia e compreenda:

- Este manual do operador
- As instruções para qualquer outro equipamento ou material usado com esta ferramenta
- Marcações na ferramenta
- Procedimentos de segurança necessários no local de trabalho

O não cumprimento de todas as instruções e advertências pode resultar em ferimentos graves.

- **Nunca toque em peças da ferramenta enquanto estiver em contato com a alta tensão.** A ferramenta deve ser considerada com a mesma tensão do circuito.
- **Sempre use procedimentos adequados para alta tensão, incluindo o uso de equipamentos de proteção pessoal, ao trabalhar próximo ou ao redor de equipamentos ou condutores de alta tensão. Permaneça fora do limite do arco elétrico, de acordo com a NFPA 70E/, para o condutor que está sendo cortado, a fim de reduzir o risco de ferimentos graves.** Se não estiver treinado e familiarizado com o local de trabalho adequado e com os requisitos de EPI, não use esta ferramenta.
- **Não a use em linhas elétricas energizadas no modo manual.** Esta ferramenta não é isolada, podem ocorrer lesões graves ou morte em virtude de choque elétrico e arco elétrico.

- **Esta ferramenta deve ser usada somente por uma pessoa treinada para trabalhar em sistemas elétricos de alta tensão.** As tensões em que estes instrumentos operam devem ser consideradas energizadas, perigosas e letais. Podem ocorrer lesões graves ou morte se forem usadas incorretamente.
 - **Sempre use uma vara de manobra e siga as rigorosas práticas de trabalho ao usar esta ferramenta no modo à distância, para reduzir o risco de ferimentos.**
 - **Nunca permita que outro condutor de alta tensão ou ponto aterrado entre em contato com o instrumento durante o uso.** Mantenha o invólucro da ferramenta sempre livre de todos os condutores para evitar curto-circuito e causar um arco elétrico que pode resultar em ferimentos graves ou morte.
- O não cumprimento dessas advertências resultará em ferimentos graves ou morte.

⚠ AVISO



- **Mantenha os dedos e as mãos afastados da ponta da ferramenta durante o ciclo de operação. Remova a bateria antes de tocar no cabeçote de corte ou conectar/remover o adaptador da vara de manobra.** Seus dedos ou mãos podem ser triturados, fraturados ou amputados se ficarem presos na ponta da ferramenta ou entre a ponta da ferramenta e outros objetos.
- **Não corte o cabo sob tensão.** O cabo pode chicotear e golpear quando cortado e causar ferimentos graves ou morte.
- **Não fique diretamente sob os cabos aéreos e sob esta ferramenta quando conectada a uma vara de manobra.** O cabo ou ferramenta pode cair e causar ferimentos graves ou morte.
- **O processo de trabalho e a operação da máquina devem ser controlados por uma pessoa.** Somente o operador deve manusear a ferramenta e o controle remoto a fim de reduzir o risco de ferimentos.
- **Não modifique a ferramenta.** Modificar a ferramenta de qualquer maneira pode resultar em lesões corporais e danos à ferramenta. Uma ferramenta com cabeça de corte que foi soldada, aterrada, perfurada ou modificada de qualquer forma pode quebrar durante o uso e arremessar peças que podem resultar em ferimentos graves ou morte.
- **Inspeccione a ferramenta e corrija todos os problemas antes de usá-la para reduzir o risco de ferimentos e evitar danos ao produto.** Se durante a inspeção, for observado ou houver suspeita de vazamento de óleo hidráulico ou dano à ferramenta, não a utilize. São geradas forças intensas durante o uso, que podem quebrar ou arremessar peças e causar lesões.

- **Confirme o funcionamento adequado antes e depois de cada uso para reduzir o risco de ferimentos.**
- **Configure a ferramenta e a área de trabalho de acordo com esses procedimentos para reduzir o risco de ferimentos.**

O não cumprimento dessas advertências pode resultar em ferimentos graves ou morte.

Informações de contato da Greenlee

Em caso de dúvidas, é necessário providenciar o reparo ou aquisição de peças ou acessórios para este produto Greenlee/HDE: entre em contato com o seu distribuidor local Greenlee ou com a Central de atendimento ao cliente da Greenlee.

Cópias adicionais deste manual estão disponíveis para download em www.greenlee.com

Central de atendimento ao cliente Greenlee

EUA: 1-800-435-0786 | Canadá: 800-435-0786

Internacional: 1-815-397-7070

GRNCustomerService@emerson.com

Endereço de envio:

Greenlee Factory Service Center

4411 Bridge Dr., Rockford, IL 61109

Descrição da ferramenta

O cortador de cabos à distância em linha ES20LXR com controle remoto sem fio pode cortar cabos de cobre e alumínio trançados, bem como cabos ACSR, tanto à distância quanto manualmente. Esta ferramenta pode ser montada em uma vara de manobra para trabalhar em linhas de energia de alta tensão e ao redor delas.

Características

- Perfis de operação à distância e manual
- Suporte da vara de manobra
- Controle remoto sem fio
- Conecta-se ao aplicativo Greenlee I-Press
- Tela OLED
- Botão retrair
- Freio solenoide magnético
- Retração automática da lâmina
- Rotação de 330° do cabeçote

Especificações

ES20LXR

Capacidade de corte:

- Cabo de cobre e alumínio de até 20 mm (0,78 pol.)
- 336.4 Merlin ACSR
- 10 mm (3/8 pol.) barra de reforço (Sch 60 vergalhão)
- 10 mm (3/8 pol.) cabo de suporte trançado
- 10 mm (3/8 pol.) Haste rosqueada
- Essas ferramentas não se destinam ao uso em aplicações marítimas

Comprimento (com bateria):	387,35 mm (15,25 pol.)
Largura:	75 mm (2,95 pol.)
Profundidade (com bateria):	125 mm (4,92 pol.)
Peso (com bateria):	2,63 kg (5,8 lb.)
Faixa de temperatura operacional:	-10 °C a 40 °C (14 °F a 104 °F)
Emissões de ruído*	$L_{pA} = 66 \text{ dB(A)}$, $K_{pa} = 1.5 \text{ dB(A)}$ $L_{WA} = 77 \text{ dB(A)}$, $K_{WA} = 2.5 \text{ dB(A)}$
Bateria da ferramenta:	18 V MAKITA® LXT® BL 1820, BL 1830, BL 1840, BL 1850, BL 1860
Bateria do controle remoto:	AA (LR03)
Carregador de bateria	Leia as instruções fornecidas com o carregador de bateria.

* As medições de som e vibração são avaliadas de acordo com um teste padronizado segundo a norma EN62481-1.

Em virtude da sua localização e do uso específico dessas ferramentas, as emissões de som e vibração podem variar.

L_{pA} não exceder 70 dB(A).

O valor total da vibração não excede 2,5 m/s².

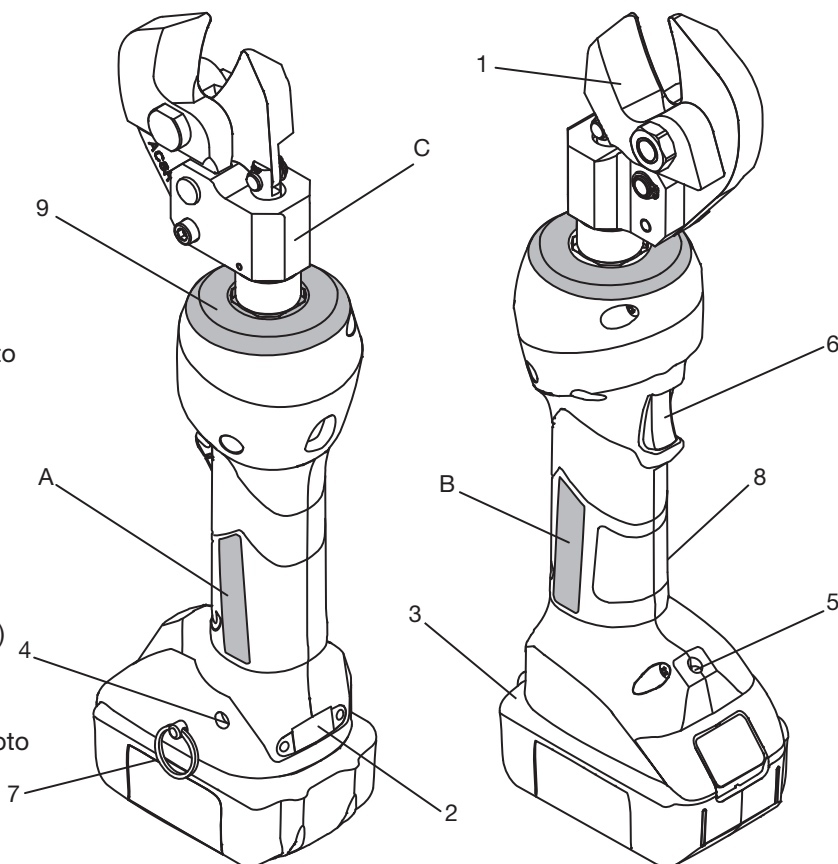
Os níveis diários de exposição ao som e vibração precisam ser avaliados para cada aplicação e as medidas de segurança adequadas devem ser tomadas quando necessário. A avaliação dos níveis de exposição deve considerar o período em que uma ferramenta fica DESLIGADA e não está em uso. Isso pode reduzir significativamente o nível de exposição ao longo do período de trabalho total.

GATOR é uma marca norte-americana registrada da Greenlee Tools, Inc.

Todas as especificações são nominais e podem mudar à medida que ocorrem melhorias no projeto.

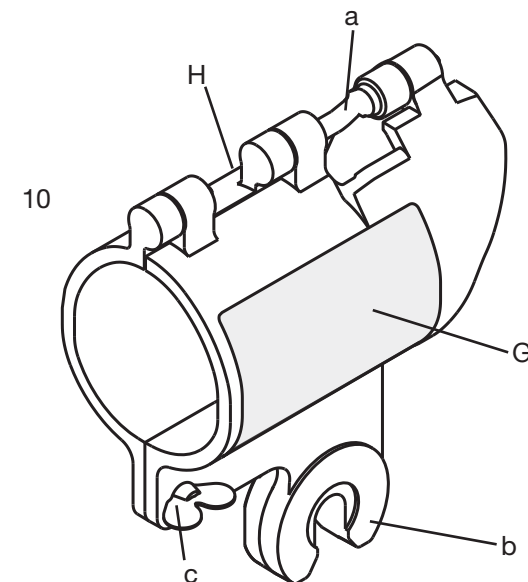
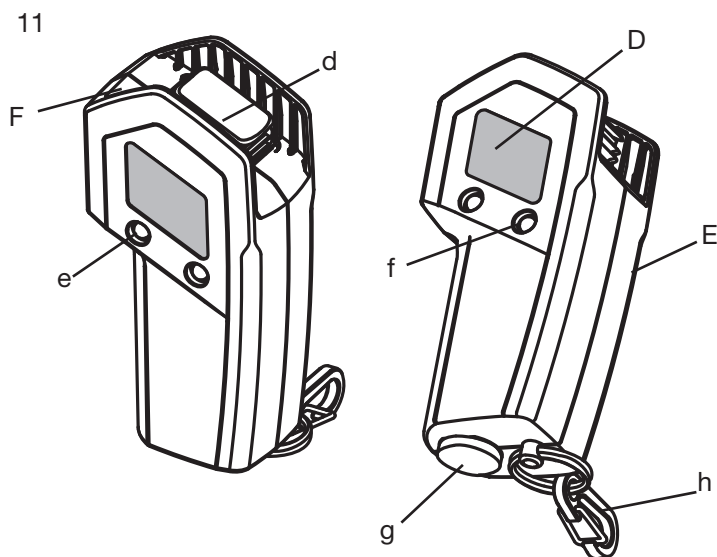
Identificação da ferramenta

1. Cabeçote de corte
2. Tela OLED
3. Bateria
4. Indicador LED (vermelho)
5. Luz LED de trabalho (branco)
6. Acionador
7. Anel do cordão de segurança
8. Compartimento
9. ID do anel da ferramenta do controle remoto
10. Suporte da vara de manobra
 - a. Trava de acionamento;
 - b. Adaptador de chave spline universal
 - c. Travamento da porca borboleta
11. Controle remoto
 - d. Interruptor para alternar operação à distância
 - e. LED de movimento da lâmina (verde)
 - f. LED de conectividade sem fio (azul)
 - g. Tampa da porta da bateria
 - h. Clipe de transporte do controle remoto



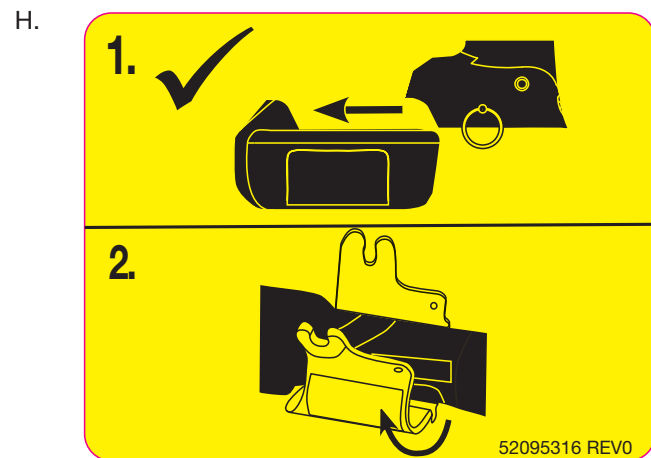
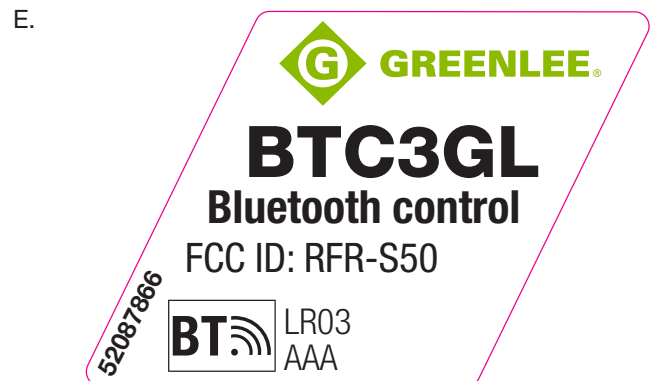
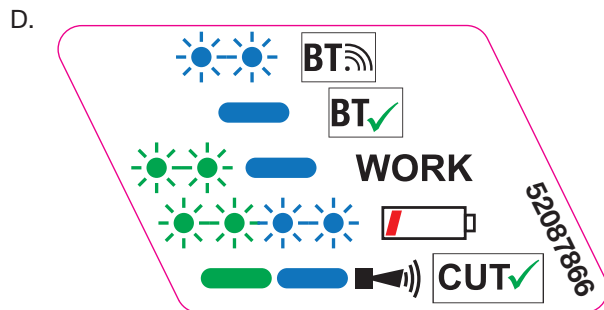
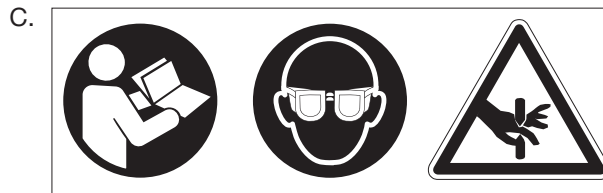
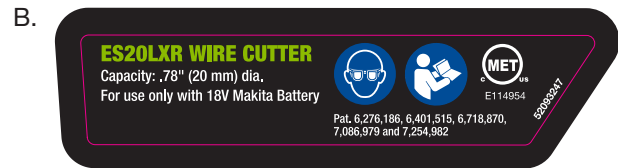
Adesivos e marcações

1. Adesivo Gator®
- B. Adesivo de informações do modelo
- C. Adesivo de perigo
- D. Adesivo do guia de LED do controle remoto
- E. Adesivo de informações do controle remoto
- F. Gravação da ID do controle remoto
- G. Adesivo de segurança de montagem
- H. Adesivo de configuração da montagem



Mantenha todos os adesivos limpos e legíveis e substitua-os quando necessário.

Adesivos e marcações (continuação)



Tabelas de LED e tela OLED

Tabela 1: indicador da ferramenta e sinais de LED












Sinal	LED (vermelho)	Significado	Ação
O LED vermelho permanece aceso por 20 segundos após o acionador ser liberado.		Carga da bateria fraca	Troque ou carregue a bateria.
O LED piscará por 20 segundos após o acionador ser liberado.		A corrente do motor excede 20 A durante o ciclo	Deixe a ferramenta esfriar.
		Ferramenta superaquecida	
Luz piscando por 20 segundos ao final do ciclo.		Erro interno	Enviar para manutenção.


Tabela 2: sinais de LED do controle remoto

Sinal	LED		Ação
	Verde	Azul	
A luz azul pisca. Verde permanece desligado.			Buscando sinal sem fio.
Azul claro contínuo. Verde permanece desligado.			Sinal sem fio encontrado e emparelhado.
A luz verde pisca e a luz azul fica contínua.			A lâmina da ferramenta está se movendo.
As luzes verde e azul piscam.			A bateria do controle remoto está fraca.
LEDs verde e azul sólidos.			O corte está concluído. <small>(Somente para produtos equipados com sensor de posição final)</small>

Tela OLED

A tela OLED exibe informações sobre a ferramenta e é usada para configurar perfis operacionais e exibir códigos de erro em caso de operação anormal (consulte Solução de problemas). Ligue a tela inserindo a bateria e pressionando o acionador.

Percorra os diversos mostradores usando os botões esquerdo e direito em cada lado da tela. Não será possível percorrer as telas após o controle remoto estar emparelhado com a ferramenta.

Display	Tela OLED	Informações exibidas
0		
1	P  PSI P PSI	Status sem fio, carga da bateria, pressão atual, pressão máxima. Pressione e segure os dois botões para alterar as unidades, selecione com o botão direito e confirme movendo a ferramenta.
2	INFO FW: 2.0 123456AB001	Versão do firmware, número de série
3	CURRENT USER: 1 SINGLE CLICK MRS+	Modo Perfil - Selecione a tela para escolher entre operações de perfil à distância e manual.
4	#ODS #DAYS	Ciclos e dias até a próxima manutenção.
5	TOTAL: T= 0.0h Q= 0.0Ah n= 0	Horas de operação decorridos (T), Ah usado (Q) e número de ciclos (n) desde a data de fabricação.

Aplicativo I-Press

Esta ferramenta tem capacidade sem fio que permite a comunicação com o aplicativo Greenlee I-press em seu dispositivo inteligente.

1. Instale o aplicativo “i-press Klauke Software Solutions” a partir da App Store ou Google Play. Abra o aplicativo no seu dispositivo inteligente e selecione a opção “Greenlee”.
2. Ative a função sem fio em seu dispositivo inteligente e a ferramenta para estabelecer uma conexão.

O aplicativo permitirá a criação de projetos, personalização da sua ferramenta, exibição de leituras de pressão da ferramenta, carga da bateria, a última data de manutenção e muito mais.

As instruções sobre como usar o aplicativo são mostradas no próprio aplicativo I-press; alternativamente, solicite o folheto MA6864 de qualquer distribuidor Greenlee.

Se a ferramenta estiver emparelhada com o controle remoto, ela não se conectará ao aplicativo.



i-Press é uma marca registrada de Gustav Klauke GmbH
App Store é uma marca registrada da Apple Inc.
Google Play é uma marca registrada da GOOGLE INC.

Treinamento e qualificações

Este produto foi projetado para ser usado por profissionais treinados para trabalhar em equipamentos elétricos de alta tensão. Caso você não seja treinado quanto aos métodos de trabalho necessários para uma operação segura, não use este produto.

Siga sempre todo o treinamento e as precauções adequadas de segurança do local de trabalho quanto à eletricidade descritas por seu setor, governo e empregador. Consulte também a norma OSHA para geração, transmissão e distribuição de energia elétrica (29 CFR 1910.269) e NEC 70E: norma de segurança elétrica para o local de trabalho.

Quando necessário, como no caso de instalação, remoção e reparo de linhas energizadas a mais de 600 V, certifique-se de que pelo menos uma segunda pessoa treinada e qualificada esteja presente a uma distância adequada.

Inspeção pré-operação

⚠ AVISO



- **Remova a bateria antes de tocar no cabeçote de corte ou conectar/remover o adaptador da vara de manobra.** Seus dedos ou mãos podem ser triturados, fraturados ou amputados se ficarem presos na ponta da ferramenta ou entre a ponta da ferramenta e outros objetos.
- **Inspeccione a ferramenta e corrija todos os problemas antes de usá-la para reduzir o risco de ferimentos e evitar danos ao produto.** Se durante a inspeção, for observado ou houver suspeita de vazamento de óleo hidráulico ou dano à ferramenta, não a utilize. São geradas forças intensas durante o uso, que podem quebrar ou arremessar peças e causar lesões.

1. Retire a bateria.
2. Limpe todo o óleo, graxa ou sujeira do corpo da ferramenta e do cabeçote, incluindo alças e controles. Uma ferramenta limpa ajuda na inspeção.
3. Verifique se há desgaste e danos, como rachaduras, ranhuras ou lascas no invólucro da ferramenta. Não use se houver peças gastas, corroídas, enferrujadas ou rachadas.
4. Verifique se há rachaduras, ranhuras ou lascas ou desgaste significativo nas lâminas. Para que o corte seja limpo, substitua as lâminas que estiverem cegas ou com lascas antes de operar. Não afie as lâminas. Envie-as para manutenção.
5. Verifique se há vazamento de óleo hidráulico. Se for detectado chumbo, envie o equipamento para manutenção.
6. Teste a rotação do conjunto do cabeçote. Ele deve estar livre para girar quase uma volta completa (330°). Se o cabeçote girar além de uma volta completa, envie-o para manutenção.
7. Verifique o adaptador da vara de manobra quanto a danos e a presença da porca borboleta. Faça a substituição se o adaptador estiver danificado ou se não encontrar a porca borboleta.
8. Verifique quanto à montagem e integridade adequadas. Não utilize a ferramenta se houver peças ausentes ou desalinhadas.
9. Verifique a presença e condição dos adesivos.
10. Inspeccione e faça a manutenção de todos os outros equipamentos sendo usados de acordo com as instruções, verificando se estão funcionando corretamente.

Se algum problema for encontrado, não use a ferramenta até que ele seja corrigido.

Área de trabalho e configuração da ferramenta

⚠ AVISO

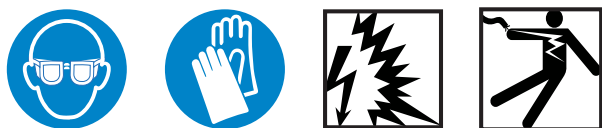


- **Confirme o funcionamento adequado antes e depois de cada uso para reduzir o risco de ferimentos.**
- **Configure a ferramenta e a área de trabalho de acordo com esses procedimentos para reduzir o risco de ferimentos.**
- **Não modifique a ferramenta.** Modificar a ferramenta de qualquer maneira pode resultar em lesões corporais e anulação da garantia. Um cabeçote que foi soldado, aterrado, perfurado ou modificado de alguma forma pode quebrar durante o uso. Substitua todo o cabeçote danificado e nunca os componentes individuais, para reduzir o risco de ferimentos. Descarte os cabeçotes danificados usando os métodos adequados.

1. Use sempre o EPI adequado para reduzir o risco de ferimentos.
2. Confirme a segurança da área de trabalho (inspecione o local de trabalho de acordo com os requisitos de especificação de trabalho da OSHA e do empregador e consulte os Avisos gerais de segurança da ferramenta elétrica). Opere em um local claro, nivelado, estável e seco.
3. Confirme se o circuito está desenergizado ou aterrado corretamente. Siga todos os procedimentos do local de trabalho para controlar energia perigosa e evitar a ativação não intencional durante o trabalho. Sempre manuseie a linha como se ela estivesse energizada. Cortar cabos energizados pode resultar em arco elétrico, eletrocussão ou morte.
4. Inspecione o cabo para confirmar se ele pode ser cortado por esta ferramenta, pois cortar o tipo errado de cabo pode danificar a ferramenta ou causar ferimentos. (Consulte, Especificações).
5. Verifique se o local de trabalho está facilmente reconhecível a observadores externos para impedir que as pessoas acessem a área enquanto a ferramenta está sendo usada. Barreiras ou cones em torno do local de trabalho são algumas das maneiras de fazer isso.
6. Para uso à distância, identifique a vara de manobra adequada para a operação e inspecione-a de acordo com as diretrizes do setor.
7. Verifique se todos os outros equipamentos foram devidamente inspecionados.

Operação da ferramenta

⚠ PERIGO



- **Nunca toque em peças da ferramenta enquanto estiver em contato com a alta tensão.** A ferramenta deve ser considerada com a mesma tensão do circuito.
- **Sempre use procedimentos adequados para alta tensão, incluindo o uso de equipamentos de proteção pessoal, ao trabalhar próximo ou ao redor de equipamentos ou condutores de alta tensão. Permaneça fora do limite do arco elétrico, de acordo com a NFPA 70E/, para o condutor que está sendo cortado, a fim de reduzir o risco de ferimentos graves.** Se não estiver treinado e familiarizado com o local de trabalho adequado e com os requisitos de EPI, não use esta ferramenta.
- **Não a use em linhas elétricas energizadas no modo manual.** Esta ferramenta não é isolada, podem ocorrer lesões graves ou morte em virtude de choque elétrico e arco elétrico.
- **Esta ferramenta deve ser usada somente por uma pessoa treinada para trabalhar em sistemas elétricos de alta tensão.** As tensões em que estes instrumentos operam devem ser consideradas energizadas, perigosas e letais. Podem ocorrer lesões graves ou morte se forem usadas incorretamente.
- **Sempre use uma vara de manobra e siga as rigorosas práticas de trabalho ao usar esta ferramenta no modo à distância, para reduzir o risco de ferimentos.**
- **Nunca permita que outro condutor de alta tensão ou ponto aterrado entre em contato com o instrumento durante o uso.** Mantenha o invólucro da ferramenta sempre livre de todos os condutores para evitar curto-circuito e causar um arco elétrico que pode resultar em ferimentos graves ou morte.

⚠ AVISO



- **Mantenha os dedos e as mãos afastados da ponta da ferramenta durante o ciclo de operação. Remova a bateria antes de tocar no cabeçote de corte ou conectar/remover o adaptador da vara de manobra.** Seus dedos ou mãos podem ser triturados, fraturados ou amputados se ficarem presos na ponta da ferramenta ou entre a ponta da ferramenta e outros objetos.
- **Não corte o cabo sob tensão.** O cabo pode chicotear e golpear quando cortado e resultar em ferimentos graves ou morte.

- **Não fique diretamente sob os cabos aéreos e sob esta ferramenta quando conectada a uma vara de manobra.** O cabo ou ferramenta pode cair e causar ferimentos graves ou morte.
- **O processo de trabalho e a operação da máquina devem ser controlados por uma pessoa.** Somente o operador deve manusear a ferramenta e o controle remoto a fim de reduzir o risco de ferimentos.

O ES20LXR possui dois perfis de corte, à distância e manual. A operação manual pode ser usada para cortar cabos elétricos ou tipos de hastes e cabos metálicos adequados (consulte as especificações). A operação à distância permite que o operador esteja fisicamente longe da ferramenta ao fazer um corte, usando um controle remoto especial e uma vara de manobra adequada.

Manual

Antes do uso, confirme se as linhas a serem cortadas estão desenergizadas ou aterradas corretamente.

1. Insira a bateria.
2. Apoie a ferramenta pela extremidade da bateria com as duas mãos para olhar para a tela OLED na ferramenta. Pressione e segure os dois botões para visualizar a tela de seleção de usuário. Passe pelas telas usando o botão direito para rolar até o perfil desejado.
3. Pressione o acionador da ferramenta para ativar o perfil manual.
4. Apoie a ferramenta e mantenha as mãos afastadas do cabeçote de corte, clique duas vezes e segure o acionador por um ciclo completo para testar a ferramenta. A luz de LED branca permanecerá ligada durante a operação e por 10 segundos após o acionador ser liberado.
5. O cabeçote de corte abrirá automaticamente ao final de um ciclo de corte. A lâmina não se moverá no perfil à distância sem a entrada do controle remoto.
6. Se necessário, pressione e segure o botão de retração para retornar a lâmina à posição aberta. Posicione a ferramenta de modo que o cabo fique no cabeçote de corte aberto.
7. Mantenha a ferramenta estável e posicione a ferramenta a um ângulo de 90° para o cabo (Fig.1). Não torça a peça ou ferramenta durante a operação de corte para não provocar falha na lâmina.

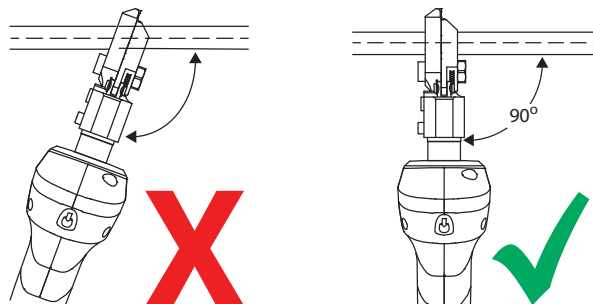


Figura 1

8. Clique duas vezes e segure o acionador até que o corte seja concluído. O processo de corte pode ser interrompido a qualquer momento liberando o acionador, e a lâmina pode ser retraída com o botão de retração na ferramenta.
9. Remova a bateria antes de configurar outro corte ou armazenar a ferramenta.

Nota: a ferramenta será desligada automaticamente quando sem uso por 15 minutos. Isso será indicado pela contagem regressiva na tela OLED. Pressionar o acionador ou qualquer botão irá redefinir a contagem regressiva.

Controle remoto

1. Prenda o cortador à vara de manobra.
 - i. Remova a bateria antes de prender o suporte da vara de manobra à ferramenta. A ativação inesperada do ciclo de corte pode resultar em ferimentos graves.
 - ii. Solte a porca borboleta para abrir o suporte.
 - iii. Abra o suporte e coloque-o ao redor do invólucro do cortador à distância em linha. Alinhe a dobradiça com o acionador. (Fig. 2)

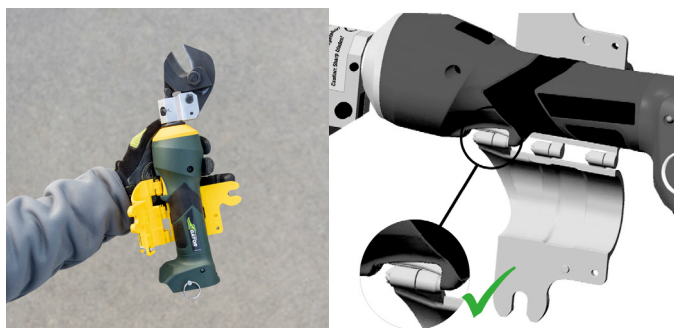


Figura 2

- iv. Feche o suporte ao redor do cabo de modo que a dobradiça faça pressão para baixo no acionador.
- v. Aperte a porca borboleta e o parafuso de modo que o suporte esteja preso e fazendo pressão para baixo no acionador. (Fig. 3)



Figura 3

- vi. Alinhe o cabeçote da vara de manobra e o adaptador spline universal. (Fig. 4)



Figura 4

- vii. Insira o botão do suporte da vara de manobra na lateral da ferramenta e gire o suficiente para prendê-lo na extremidade da vara de manobra. Deixe o botão solto o suficiente para permitir o ajuste da posição e, em seguida, aperte para encaixar os dentes, a fim de manter o cortador na posição. (Fig. 5)

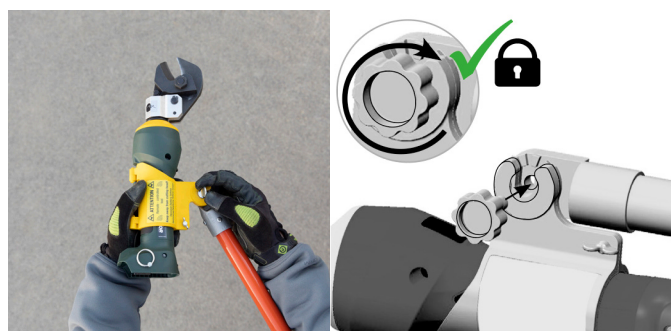


Figura 5

2. Insira a bateria assim que a ferramenta estiver presa à vara de manobra.
3. Mantenha as mãos afastadas do cabeçote de corte e apoie a ferramenta para olhar para a tela OLED. Pressione e segure os dois botões para visualizar a tela de seleção de usuário. Percorra as telas usando o botão direito para rolar até o perfil à distância.
4. Pressione a chave seletora no controle remoto para ativar o modo à distância. O LED azul do controle remoto começará a piscar.
5. Aguarde até que a ID do controle remoto apareça na tela e, em seguida, pressione o botão ao lado do nome na tela OLED. A ID do controle remoto está na frente do adesivo de sinal do controle remoto.

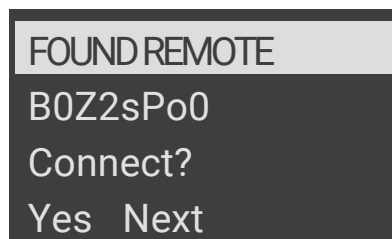


Figura 6

6. Quando solicitado pela tela da ferramenta, pressione a chave seletora do controle remoto para concluir o emparelhamento. O emparelhamento estará completo quando o LED azul parar de piscar e permanecer contínuo.

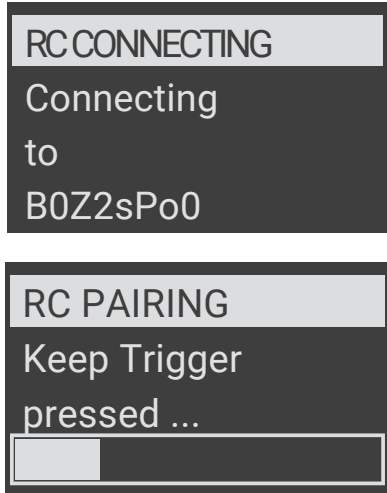


Figura 7

7. Clique duas vezes em **Estender** na chave seletora para ativar a operação à distância. (Fig. 8) Teste a conexão clicando duas vezes e mantendo a chave seletora pressionada. A lâmina abrirá automaticamente ao final de um ciclo de corte.

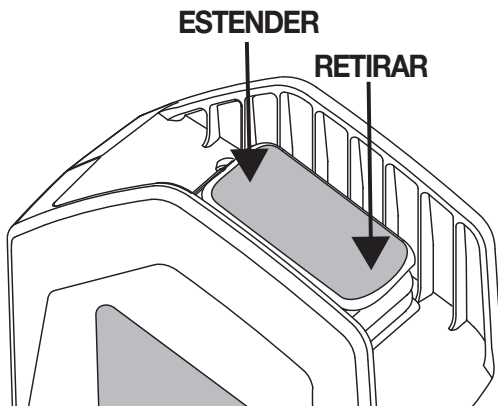
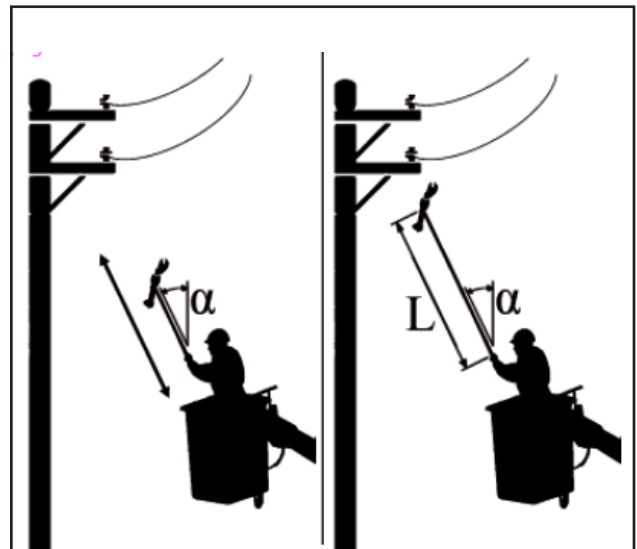


Figura 8

Enquanto a lâmina estiver se movendo, o LED verde no controle remoto piscará.

8. Encontre um lugar para ficar que proporcione uma visão clara do cabo a ser cortado e não fique diretamente abaixo do cabo.

9. Segure a vara de manobra com as duas mãos e trave a extremidade dela com o pé ou a parede da cesta a fim de reduzir o risco de torção ou perda do controle da ferramenta. Estenda a vara de manobra e mantenha-a ligeiramente na sua frente (Fig. 9).

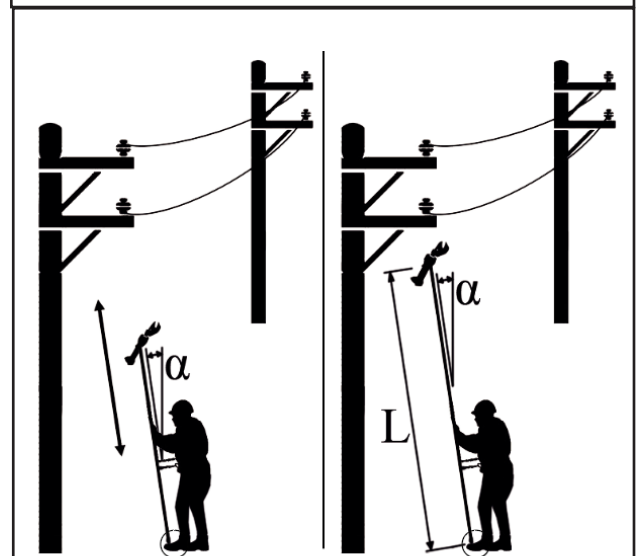


L max. = 8.5 ft (2.6 m)

L < 4 ft (1.3 m)

α : Any Angle

L = 4 ft - 8.5 ft (1.3 m - 2.6 m :) α : Max. 25°



L ≤ 13 ft (4 m) α : max 20°

*L > 13 ft (4 m) α : max 10°

Figura 9

**Esta ferramenta não é certificada para uso com varas de manobra maiores que 4 m (13 pés). É necessário mais força para controlar a ferramenta em uma vara de manobra mais longa. Mantenha a vara de manobra mais próxima do corpo para reduzir o risco de perda de controle e evitar ferimentos.*

10. Posicione a ferramenta em um ângulo de 90° em relação ao cabo (Fig. 10).

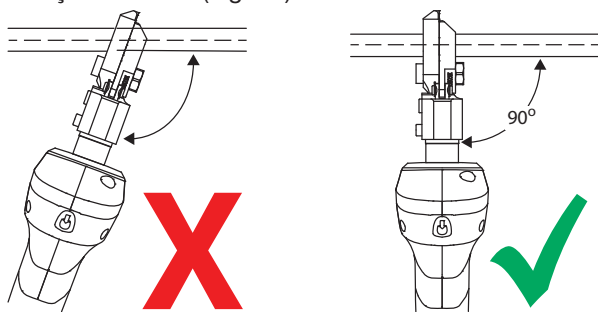


Figura 10

11. Clique duas vezes em **Estender** na chave seletora até que o corte esteja concluído. O processo de corte pode ser interrompido a qualquer momento soltando e retraindo a alavanca, pressionando e segurando **Retrair**.

Caso corte cabos aéreos longos que estejam potencialmente energizados, preste atenção ao fluxo de corrente e corte o cabo de maneira a reduzir o risco de queda da extremidade energizada do cabo. (Fig. 11)

Se um cabo cair no chão e for energizado, podem estar presentes níveis letais de eletricidade no chão ao redor de onde o cabo caiu. Isso cria uma área de trabalho energizada contendo tensão de passo

potencialmente fatal. A tensão de passo ocorre quando uma pessoa caminha no funil de tensão (Fig. 12). A pessoa é eletrocutada ao colocar o pé no chão. A diferença no potencial elétrico faz com que a eletricidade passe pelo corpo, desde o pé de tensão mais alta para o pé com menor tensão.

O aterramento dispersa a eletricidade, o que significa que, se mais uma pessoa vir de onde o cabo energizado toca o solo, menor será o risco de níveis letais de eletricidade. O tamanho da área de trabalho energizada depende da tensão do cabo e aumenta em tamanho com maior tensão. As distâncias mínimas de abordagem da área de trabalho energizada, da regra NESC 441* (Tabela 3), fornecem orientação sobre a distância que o operador e os transeuntes devem estar fora da possível área de trabalho energizada ao cortar o cabo.

Se uma área estiver potencialmente energizada, siga todos os protocolos de segurança descritos por seu empregador e pelas organizações nacionais de segurança para se afastar da área de trabalho energizada para a área afastada ou além.

Remova a bateria antes de configurar outro corte.

Nota: quando estiver no modo à distância, a ferramenta desligará automaticamente após 30 minutos sem uso. Será exibida uma contagem regressiva na tela OLED e será redefinida quando o controle remoto for usado ou desconectado.

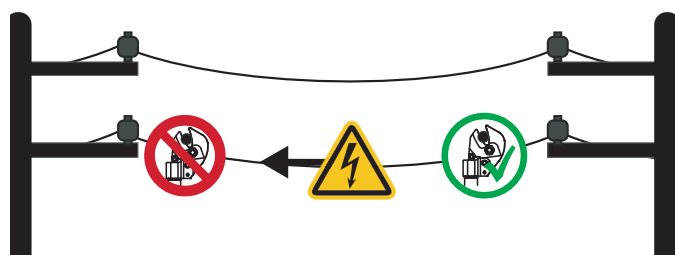


Figura 11

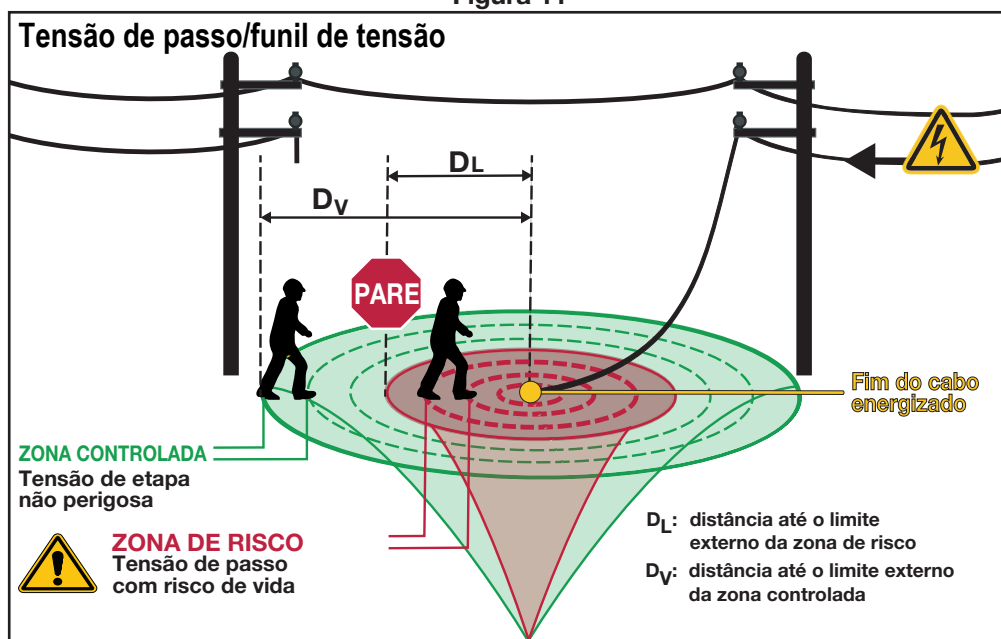


Figura 12

*Essas tabelas e figuras fornecem orientação sobre distâncias operacionais e não substituem o treinamento adequado ou as políticas de segurança do empregador em áreas de trabalho de alta tensão.

Tabela 3: distância mínima de abordagem da área de trabalho energizada AC (Consulte a Regra NESC 441 na íntegra para obter mais detalhes)							
Fase a ^{□◇△}		Distância para o funcionário*					
fase (kV)		Fase para o terra		Fase a fase ⁺			
Mín.	Máx.	(m)	(pés-pol.)	(m)	(pés-pol.)	(m)	(pés-pol.)
0	0,050 [□]	Não especificado		Não especificado			
0,051	0,300 [□]	Evite contato		Evite contato			
0,301	0,750 [□]	0,32	1-1				
0,751	15,0	0,64	2-2	0,67		2-3	
15,1	36,0	0,73	2-5	0,87		2-10	
36,1	46,0	0,79	2-7	0,94		3-1	
46,1	72,5	0,89	2-11	1,15		3-9	
Fase a ^{○●■}		Distância do funcionário da parte energizada*					
fase (kV)		Sem ferramentas ^{◇△}		Com ferramentas		Com ferramentas	
		Fase para o terra		Fase para o terra		Fase a fase	
Máx.	Mín.	(m)	(pés-pol.)	(m)	(pés-pol.)	(m)	(pés-pol.)
72,6	121,0	0,94	3-1	1,01	3-4	1,37	4-7
121,1	145,0	1,07	3-7	1,15	3-10	1,62	5-4
145,1	169,0	1,20	4-0	1,29	4-3	1,88	6-3
169,1	242,0	1,58	5-2	1,71	5-8	2,77	9-2
242,1	362,0	2,56	8-5	2,75	9-1	4,32	14-3
362,1	550,0	3,38	11-1	3,61	11-11	6,01	19-2
550,1	800,0	4,54	14-11	4,82	15-10	8,87	29-2

*As distâncias listadas são para condições atmosféricas padrão. Os dados usados para formular esta tabela foram obtidos a partir dos dados de teste obtidos em condições atmosféricas padrão. As condições atmosféricas padrão são definidas como temperaturas acima do congelamento, vento inferior a 15 mil/h ou 24 km/h, ar insaturado, barômetro normal, ar não descontaminado e isoladores limpos e secos. Se as condições atmosféricas padrão não existirem, deve-se ter cuidado extra.

□ Para sistemas monofásicos, use a tensão mais alta disponível.

◇ Para linhas monofásicas fora dos sistemas trifásicos, use a tensão de fase do sistema

△ Os fatores de movimento inadvertido usados nestas tabelas são os seguintes:

0,301 kV a 0,750 kV = 1 pé

0,751 kV a 72,5 kV = 2 pés

72,6 kV a 800 kV = 1 pé

○ Para tensões acima de 72,5 kV, as distâncias são baseadas em altitudes abaixo de 900 m (3000 pés) acima do nível do mar. Para altitudes acima de 900 m (3000 pés), aplica-se a Regra 441A6.

● As distâncias foram calculadas usando-se os seguintes valores TOV:

72,6 kV a 362 kV = 3,0

362,1 kV a 550 kV = 2,4

550,1 kV a 800 kV = 2,0

■ Para o trabalho sem luvas, em que o funcionário está em potencial de linha, essa distância se aplica a um objeto com um potencial diferente.

◆ As distâncias para ferramentas de linha energizada na lacuna de ar foram calculadas adicionando-se um fator de ferramenta ao componente elétrico (fator de ferramenta IEEE 516 C2 1.1).

▲ Com ferramentas significa uma ferramenta em linha energizada que faz a conexão entre a lacuna de ar e o funcionário da parte energizada.

+ Os valores de linha energizada fase-a-fase na lacuna de ar não estão disponíveis. Se essa situação existir, uma avaliação de engenharia deverá ser realizada.

Resolução de problemas

1. Verifique se a bateria está carregada. Se estiver descarregada, carregue-a e verifique-a novamente após vários minutos para certificar-se de que a bateria está mantendo a carga.
2. Remova a bateria da ferramenta.
3. Verifique a ferramenta. Consulte Inspeção pré-operação.
4. Reinstale a bateria e verifique a ferramenta novamente.

Consulte as tabelas abaixo quanto a soluções para possíveis problemas que a ferramenta possa enfrentar. Para auxiliar na resolução de problemas, a Tabela do indicador de LED das ferramentas (pg. 8) explica os sinais do LED vermelho que podem ocorrer na ferramenta.

Problema	Causa possível	Solução
A ferramenta não é ativada ao pressionar o acionador.	Contaminantes (sujeira, ferrugem, etc.) no cabeçote de corte.	Remova a bateria e limpe completamente o cabeçote da ferramenta.
	Componentes gastos ou danificados	Envie para manutenção.
	O motor não está funcionando	Verifique a carga da bateria e troque a bateria, se necessário.
		Verifique se há componentes de interruptores quebrados e envie para manutenção.
	Ferramenta definida para o perfil à distância	Altere o perfil para manual
	Bateria fraca ou vencida	Troque ou carregue a bateria.
Componentes quebrados	Envie para manutenção.	
A ferramenta não é ativada ao pressionar ativação à distância.	Ferramenta no perfil manual	Altere o perfil para “à distância”.
	Receptor sem fio danificado	Envie para manutenção.
	Outro controle remoto está emparelhado com a ferramenta	Remova e, em seguida, substitua a bateria para redefinir e siga as etapas para configurar o perfil à distância.
O motor funciona, mas a ferramenta não conclui um ciclo.	Óleo baixo	Envie para manutenção.
	Ar no sistema hidráulico	Pressione o acionador e segure o botão retrair simultaneamente. Coloque em funcionamento por aproximadamente 10 segundos e tente cortar. Se não tiver sucesso, entre em contato com a Central de atendimento ao cliente da Greenlee pelo número 800-435-0786 para obter serviços de garantia ou reparos.
	Óleo frio	Pressione o acionador e segure o botão retrair simultaneamente de 10 a 20 segundos para aquecer o óleo. Pressione o acionador e conclua um ciclo. Repita até que a ferramenta conclua um ciclo com sucesso.
O LED vermelho acende por 20 segundos.	Bateria fraca	Troque ou carregue a bateria.
A ferramenta perde óleo.	Vedação danificada	Envie para manutenção.

Código de erro	Significado	Ação
1	Fusível de excesso de corrente	Faça manutenção
2	Comparador de excesso de corrente	Faça manutenção
3	Placa do circuito superaquecida	Ferramenta de refrigeração
4	Bateria superaquecida	Bateria fria
5	Bateria vazia: operação interrompida	Carregue a bateria.
6	Corte de falha; ciclo completo	Faça manutenção
7	Corte de falha; ciclo incompleto	Faça manutenção
8	Bateria fraca	Carregue a bateria.
9	Bateria vazia	Carregue a bateria.
10	Bateria do relógio em tempo real baixa	Faça manutenção
11	Ferramenta desativada	Faça manutenção
12	Manutenção necessária	Faça manutenção
13	Relógio em tempo real não encontrado	Reinstale a bateria. Faça manutenção
14	Bluetooth sem fio® unidade não encontrada	Reinstale a bateria. Faça manutenção
15	[Não usado]	
16	Sensor de pressão não encontrado	Faça manutenção
17	Pressão excedida	Faça manutenção
18	Temperatura da bateria muito baixa	Bateria quente
21	Bateria do controle remoto fraca	Substitua a bateria

Transporte e armazenamento

Remova a ferramenta da vara de manobra e a bateria da ferramenta antes de transportá-la ou armazená-la. Armazene a ferramenta dentro da caixa fornecida com o controle remoto, em um local fresco e seco.

Manutenção

⚠ AVISO

- **A manutenção da ferramenta deve ser realizada somente por pessoal qualificado.** A realização de reparo ou manutenção por pessoal não qualificado pode resultar em risco de lesão.
- **Use apenas peças de reposição idênticas ao realizar manutenção em uma ferramenta.** O uso de peças não autorizadas ou o não cumprimento das instruções de manutenção podem gerar risco de choque elétrico ou ferimentos.

Agende um serviço de manutenção de fábrica em 3 anos ou 10.000 ciclos. A manutenção de fábrica inclui inspeções gerais, substituição do óleo hidráulico dielétrico da ferramenta e teste da ferramenta por técnicos treinados.

Quando a data da manutenção de fábrica estiver próxima ou chegar, entre em contato com o Atendimento ao Cliente da Greenlee. O envio rápido está disponível.

Manutenção

⚠ AVISO

- **Remova a bateria antes de tocar no cabeçote de corte ou conectar/remover o adaptador da vara de manobra.** Seus dedos ou mãos podem ser triturados, fraturados ou amputados se ficarem presos na ponta da ferramenta ou entre a ponta da ferramenta e outros objetos.
- **Faça a manutenção desta ferramenta de acordo com estes procedimentos.** Não realize nenhuma manutenção além da descrita neste manual. Podem ocorrer lesões corporais ou danos à ferramenta.
- **Não modifique a ferramenta.** Modificar a ferramenta de qualquer maneira pode resultar em lesões corporais e danos à ferramenta. Uma ferramenta com cabeçote de corte que foi soldada, aterrada, perfurada ou modificada de qualquer forma pode quebrar durante o uso e arremessar peças que podem resultar em ferimentos graves ou morte.

Remova a bateria antes de realizar qualquer manutenção.

Limpe o invólucro com um pano úmido e detergente suave após cada uso. Deixe a ferramenta secar completamente antes de substituir a bateria.

Não tente abrir a ferramenta. Ela contém peças cuja manutenção não pode ser realizada pelo usuário.

Equipamentos opcionais e peças para reparo

Kits de reparo	
CAT #	Descrição
BTC3-CK	BHT CONV KIT
BTC3GL	CONTROLE REMOTO, CONTROLE BHT
BTC3-TJ	ADAPTADOR DA VARA DE MANOBRA
52177	BATERIA, ÍON-LÍTIO 18V 2,0AH(PKG)
52178	CARREGADOR, BATERIA 120V (PKG)
52179	CARREGADOR, BATERIA 230V (PKG)
52180	CARREGADOR, BATERIA 12V (PKG)
CP1	EMBALAGEM (PKG)

Descarte

As peças dessas ferramentas contêm materiais valiosos e podem ser recicladas. Há empresas especializadas em reciclagem que podem ser encontradas localmente. Descarte os componentes em conformidade com todas as normas aplicáveis. Entre em contato com a autoridade local de gestão de resíduos para obter mais informações.



Para países da UE: não descarte equipamentos elétricos junto com resíduos domésticos! De acordo com a Diretriz Europeia 2012/19/UE para Resíduos de Equipamentos Elétricos e Eletrônicos e sua implementação na legislação nacional, os equipamentos elétricos que não forem mais utilizáveis devem ser coletados separadamente e descartados de maneira ambientalmente correta.

Requisitos necessários

Modelo ES20LXR—ID FCC: RFR-S50; ID da IC: 4957A-S50

Requisitos dos EUA:

Parte responsável: Greenlee Tools, Inc. Rockford, IL 61109 EUA

Nota: este equipamento foi testado e cumpre os limites para um dispositivo digital Classe A, de acordo com a parte 15 das Regras da FCC. Esses limites são projetados para fornecer proteção razoável contra interferências prejudiciais quando o equipamento é operado em um ambiente comercial. Este equipamento gera, usa e pode irradiar energia de radiofrequência e, se não for instalado e usado de acordo com o manual de instruções, pode causar interferência prejudicial às comunicações de rádio. A operação deste equipamento em área residencial pode causar interferência prejudicial e, nesse caso, o usuário terá que corrigir a interferência às suas custas.

Este dispositivo está em conformidade com os requisitos de exclusão do teste SAR de exposição a RF para dispositivos portáteis se for mantida uma distância mínima de separação. No entanto, o dispositivo deve ser usado de tal forma que o potencial de contato humano seja minimizado durante o funcionamento normal.

Requisitos do Canadá:

Este dispositivo está em conformidade com RSSs isentos de licença da indústria do Canadá. A operação está sujeita às duas condições a seguir:

(1) Este dispositivo não pode causar interferência; e

(2) Este dispositivo deve aceitar qualquer interferência, inclusive interferência que possa causar operação indesejada do dispositivo.

Le présent appareil est conforme aux CNR d'Industrie Canada applicables aux appareils radio exempts de licence. L'exploration est autorisée aux deux conditions suivantes:

1) l'appareil ne doit pas produire de brouillage;

2) l'utilisateur de l'appareil doit accepter tout brouillage radioélectrique subi, même si le brouillage est