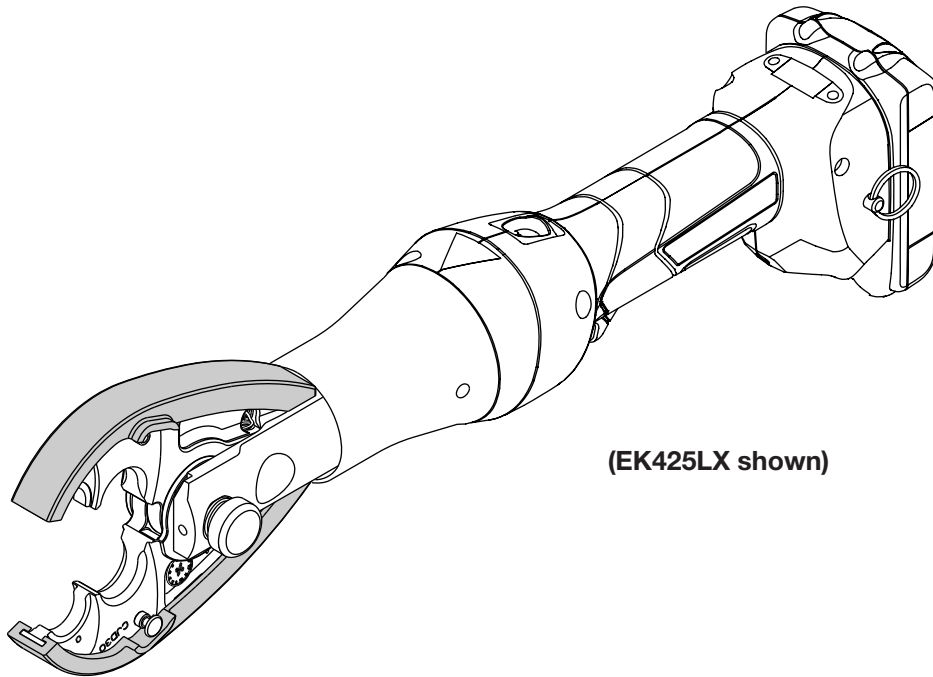


SERVICE MANUAL



(EK425LX shown)

GATOR[®] **Battery-powered** **In-line X Tools**



Read and understand all of the instructions and safety information in this manual before operating or servicing this tool.

Register this product at www.greenlee.com

Table of Contents

Safety	2
Purpose of this Manual	2
Other Publications	2
Important Safety Information	3
Main Illustrations—All Tools	4–6
Main Parts List—All Tools.....	7–8
Head and Ram Illustrations and Parts Lists	
EK6ATILX	9
EK6ATILX	10
EK6IDLX, EK6IDCLX.....	11
EK410LX	12
EK425LX, EK628LX	13–16
EK622LX	17
ES20LX, ES32LX, ES32FLX.....	18
ESC25LX.....	19
ESC35LX.....	20
ESC35HLX	21
ESC50LX.....	22
ESG25LX	23
ESG45LX	24
ETS8LX	25
ETS12LX	26
LS100X	27

Safety

Safety is essential in the use and maintenance of Greenlee tools and equipment. This manual and any markings on the tool provide information for avoiding hazards and unsafe practices related to the use of this tool. Observe all of the safety information provided.

Purpose of this Manual

This manual is intended to familiarize authorized Greenlee service personnel with the service parts for the Greenlee Battery-powered In-line X Tools listed on this page.

Keep this manual available to all personnel.

Replacement manuals are available upon request at no charge at www.greenlee.com.

Other Publications

Operation Manuals

- EK6ATILX 52080022
- EK6FTILX 52080023
- EK6IDCLX 52080021
- EK6IDLX 52080021
- EK410LX 52080011
- EK425LX 52080010
- EK622LX 52080013
- EK628LX 52080012
- ES20LX 52080507
- ES32LX 52080507
- ES32FLX 52080507
- ESC25LX 52080507
- ESC35HLX 52080507
- ESC35LX 52080507
- ESC50LX 52080507
- ESG25LX 52080507
- ESG45LX 52080507
- ETS8LX 52080507
- ETS12LX 52080507
- LS100X 52085706



Do not discard this product or throw away!

For recycling information, go to www.greenlee.com.

All specifications are nominal and may change as design improvements occur. Greenlee Tools, Inc. shall not be liable for damages resulting from misapplication or misuse of its products. GATOR is a registered trademark of Greenlee Tools, Inc.

KEEP THIS MANUAL

IMPORTANT SAFETY INFORMATION



SAFETY ALERT SYMBOL

This symbol is used to call your attention to hazards or unsafe practices which could result in an injury or property damage. The signal word, defined below, indicates the severity of the hazard. The message after the signal word provides information for preventing or avoiding the hazard.

⚠️ DANGER

Immediate hazards which, if not avoided, **WILL** result in severe injury or death.

⚠️ WARNING

Hazards which, if not avoided, **COULD** result in severe injury or death.

⚠️ CAUTION

Hazards or unsafe practices which, if not avoided, **MAY** result in injury or property damage.



⚠️ WARNING

Skin injection hazard:

Do not use hands to check for oil leaks. Oil under pressure easily punctures skin. If injured, seek medical attention immediately to remove oil.

Failure to observe this warning could result in serious injury, gangrene, or death.



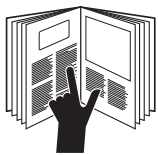
⚠️ WARNING

Do not use solvents or flammable liquids to clean the tool body. Solvents or flammable liquids could ignite and cause serious injury or property damage.

⚠️ WARNING

Do not dispose of batteries in a fire. They will vent fumes and may explode.

Failure to observe this warning could result in severe injury from harmful fumes or burns from flying debris.



⚠️ WARNING

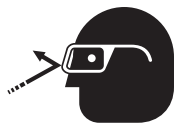
Read and understand all of the instructions and safety information in this manual before operating or servicing this tool. Refer also to the Operation Manual, which is listed under "Other Publications."

Failure to observe this warning could result in severe injury or death.

⚠️ CAUTION

Do not perform any service or maintenance other than as described in this manual. Injury or damage to the tool may result.

Failure to observe this precaution may result in injury and property damage.



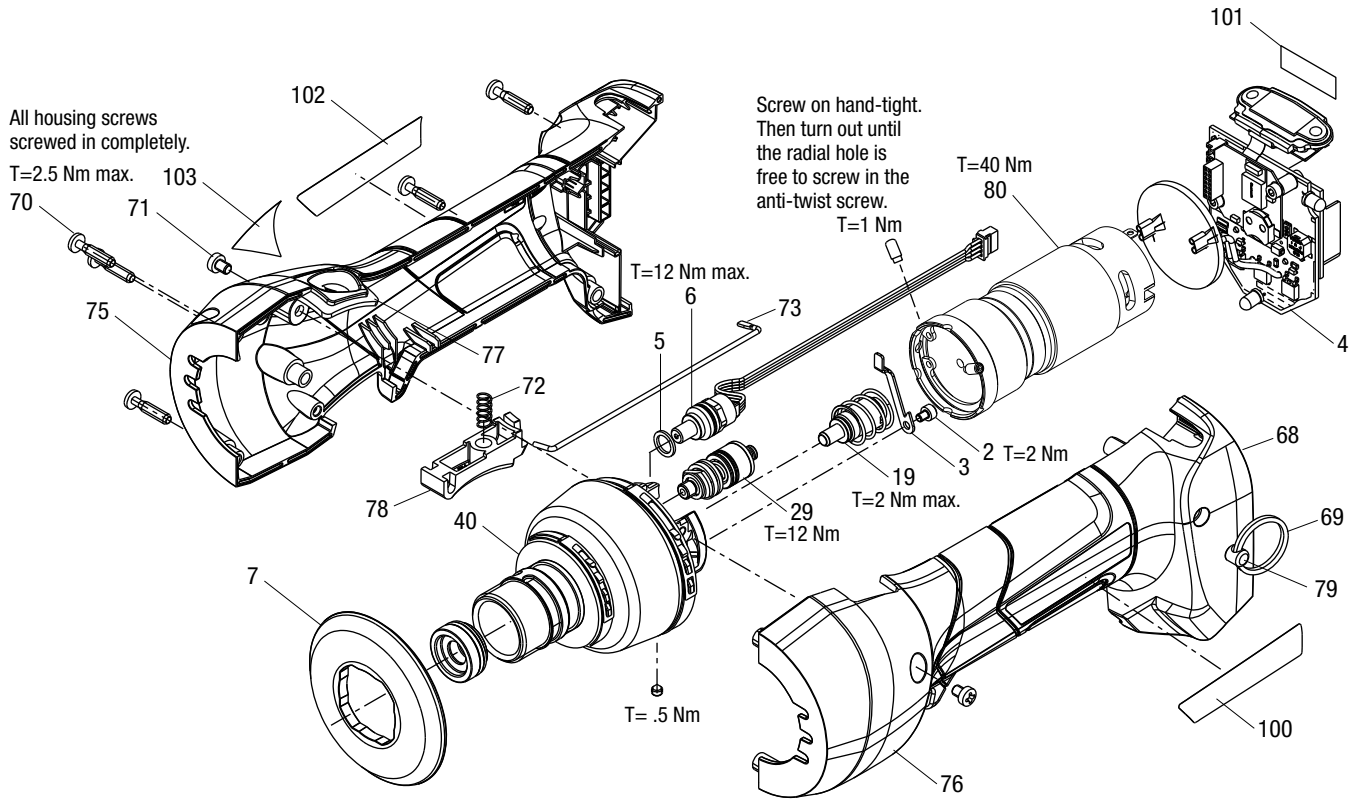
⚠️ WARNING

Wear eye protection when operating or servicing this tool.

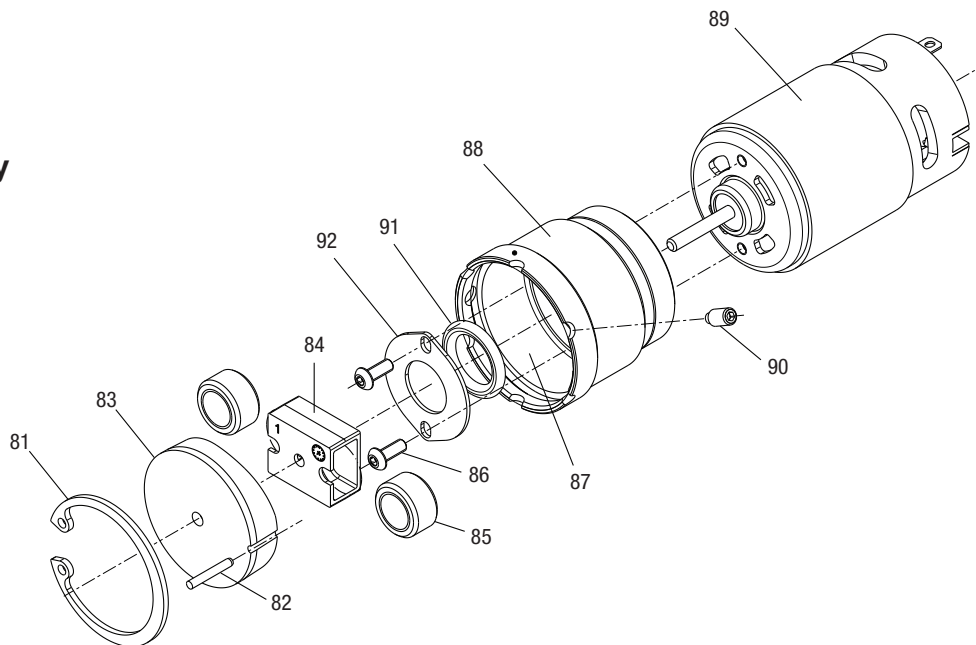
Failure to wear eye protection could result in serious eye injury from flying debris or hydraulic oil.

Note: Keep all decals clean and legible, and replace when necessary.

Main Illustrations—All Tools

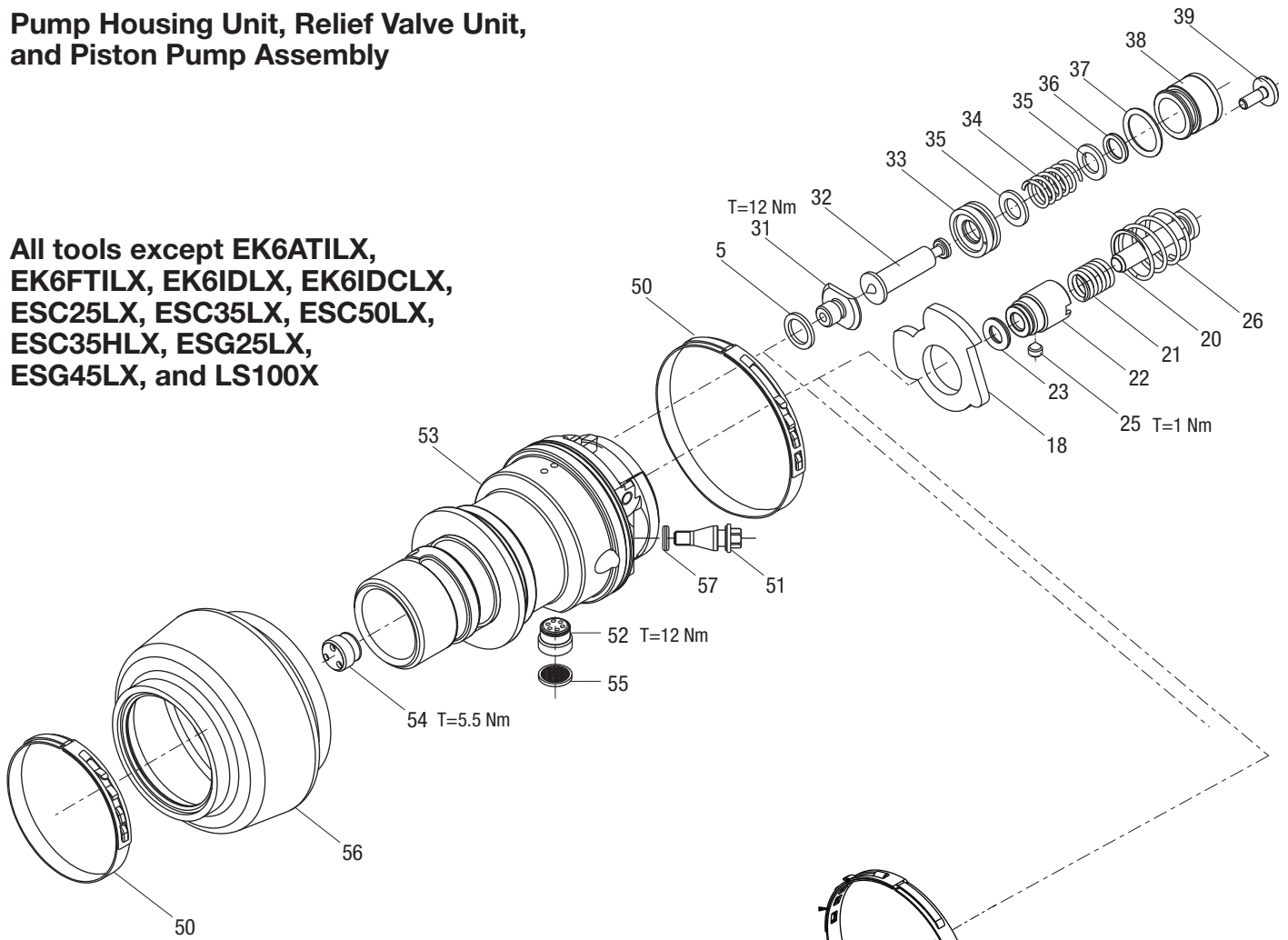
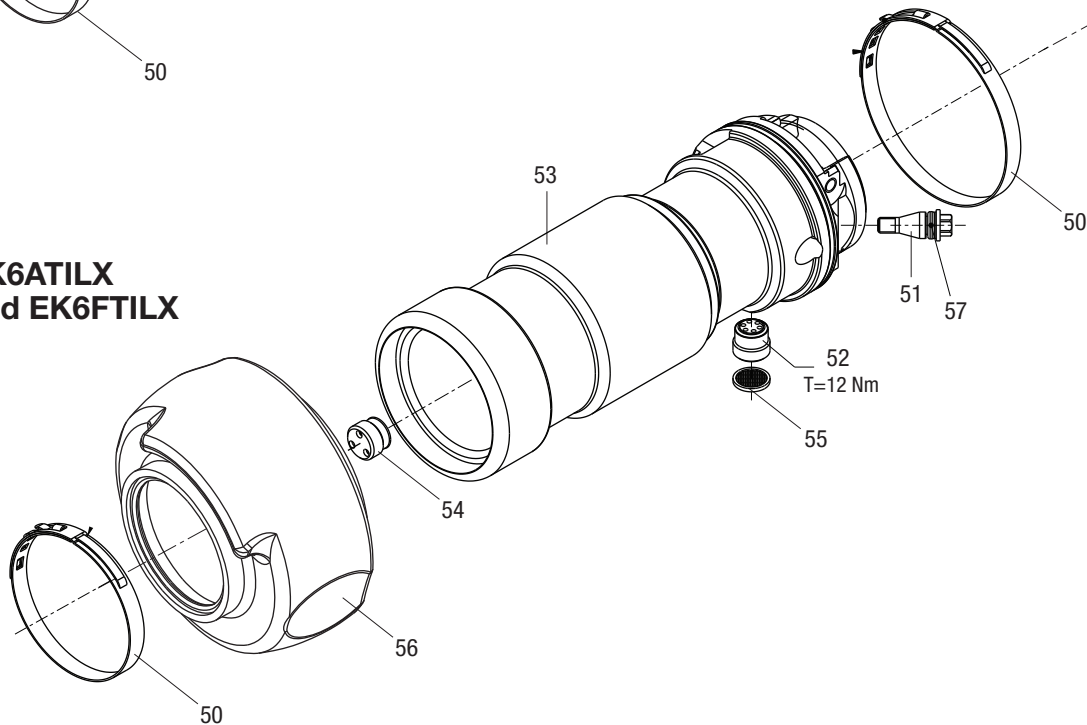


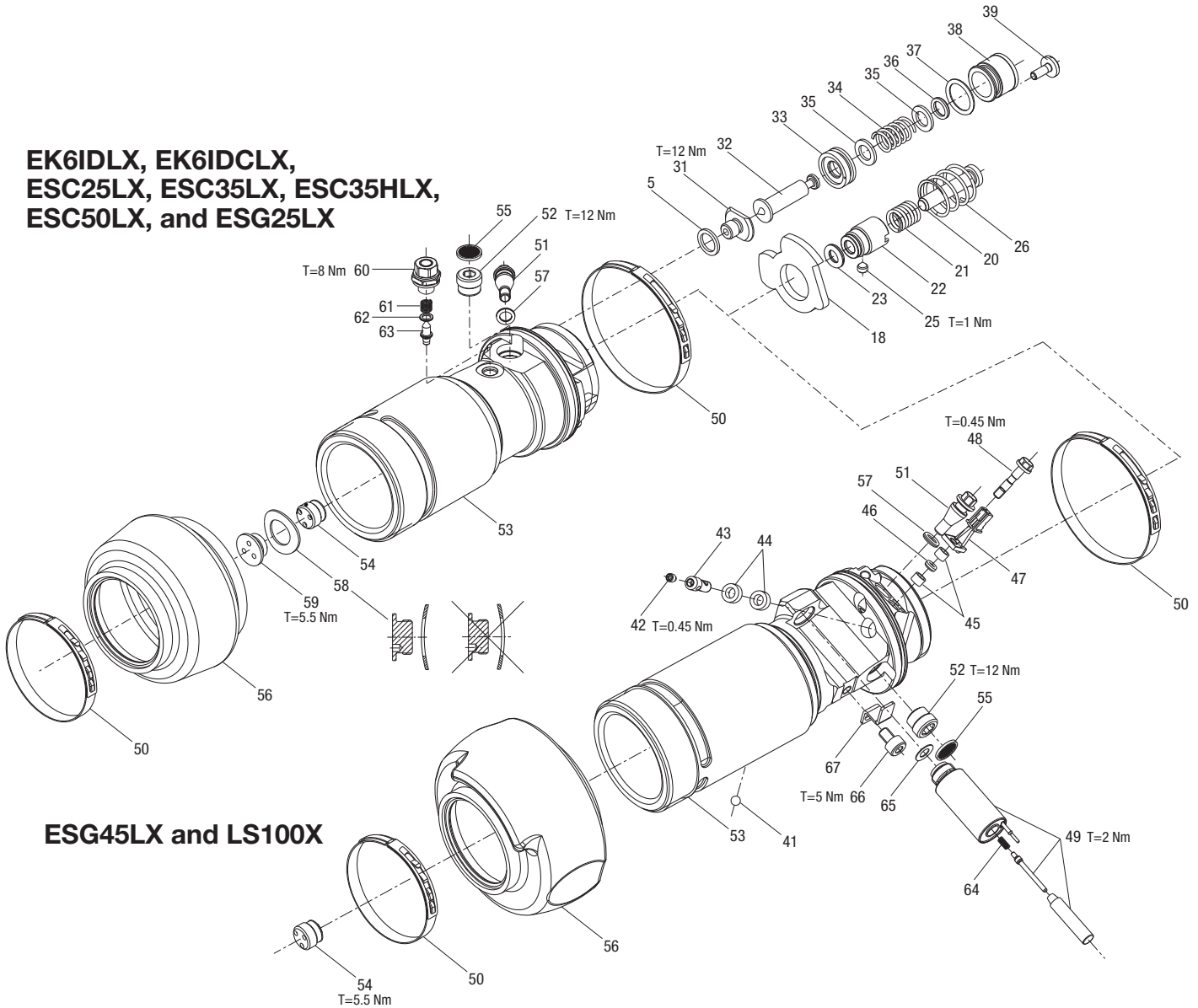
Motor Assembly



Main Illustrations—All Tools (cont'd)
**Pump Housing Unit, Relief Valve Unit,
and Piston Pump Assembly**

All tools except EK6ATILX,
EK6FTILX, EK6IDLX, EK6IDCLX,
ESC25LX, ESC35LX, ESC50LX,
ESC35HLX, ESG25LX,
ESG45LX, and LS100X


**EK6ATILX
and EK6FTILX**


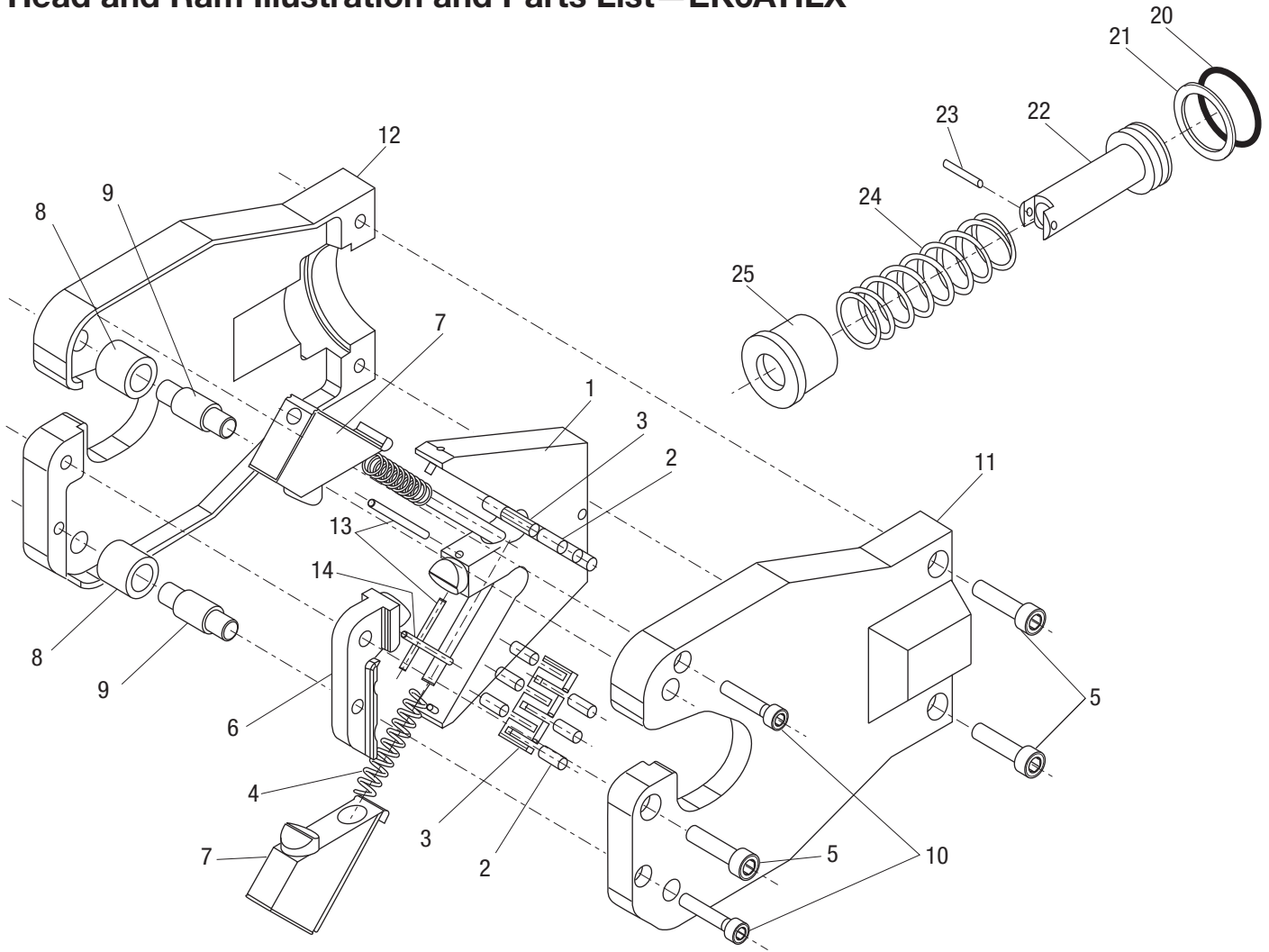
Main Illustrations—All Tools (cont'd)
**Pump Housing Unit, Relief Valve Unit,
and Piston Pump Assembly**
**EK6IDLX, EK6IDCLX,
ESC25LX, ESC35LX, ESC35HLX,
ESC50LX, and ESG25LX**

ESG45LX and LS100X

Main Parts List—All Tools

Key	Part No.	Description	Qty	Key	Part No.	Description	Qty
	52055860	Relief lever kit (includes 2, 3)		31	52072070	Valve seat	1
2		Screw	1	32		Needle valve.....	1
3		Relief valve lever	1	33		Plunger	1
4	52082185	Control Board (EK425LX, EK628LX)	1	34		Spring.....	1
	52082186	Control Board (EK410LX)	1	35		Washer	5
	52082187	Control Board (EK622LX)	1	36*		O-ring	1
	52082190	Control Board (EK6IDLX, EK6IDCLX).....	1	37*		O-ring	1
	52082193	Control Board (ETS8LX, ETS12LX)	1	38		Pressure relief.....	1
	52082194	Control Board (ES32LX, ES32FLX,	1	39		Screw	1
		ES20LX, ESG25LX)		40	52057116	Pump housing unit (includes 18, 50–63) ...	1
	52082198	Control Board (ESG45LX).....	1			(EK6IDLX, ESC35LX, ESG25LX, ESC50LX,	
	52082199	Control Board (ESC35LX, ESC50LX,	1			ESC25LX, EK6IDCLX)	
		ESC35HLX)		52054796		Pump housing unit (includes 18, 50–57) ...	1
	52085809	Control board (EK6ATILX, EK6FTILX).....	1			(EK410LX, ETS12LX)	
	52082200	Control board (LS100X).....	1	52048120		Pump housing unit (includes 18, 50–57) ...	1
	52079478	Display Screen (LS100X).....	1			(EK425LX, EK628LX, ETS8LX)	
5*		Seal	2	52054795		Pump housing unit (includes 18, 50–57) ...	1
6	52049205	Sensor (crimpers, LS100X).....	1			(EK622LX)	
	50121839	Screw (cutters)	1	52072068		Pump housing unit (includes 18, 50–63) ...	1
7	52080885	Ring (EK6IDLX, EK410LX, EK6IDCLX,	1			(ES20LX, ES32LX, ES32FLX)	
		EK622LX,ESC25LX, ESC35LX, ESG25LX,		52080598		Pump housing unit	1
		ESG45LX, ETS12LX, ESC35HLX, ESC50LX)				(includes 18, 41–57, 64–67) (ESG45LX)	
	52080884	Ring (EK425LX, EK628LX, ETS8LX).....	1	52079407		Pump housing unit	1
	52080891	Ring (ES20LX, ES32LX, ES32FLX,	1			(includes 18, 41–57, 64–67) (LS100X)	
		LS100X)		52085803		Pump Housing Unit (includes 18, 50–57)	
	52085804	Ring (EK6ATILX, EK6FTILX).....	1			(EK6ATILX, EK6FTILX).....	1
18*		Felt seal.....	1	41		Ball	1
19	52085796	Piston Pump Assembly ø 6.2mm	1	42		Screw	1
		(EK425LX) (Includes 20–26)		43		Shaft.....	1
	50018990	Piston pump assembly ø 5.5mm	1	44		Bushing	2
		(all others) (includes 20–26)		45		Bearing	2
20		Piston pump.....	1	46		O-ring	1
21		Spring.....	1	47		Plate	1
22		Piston pump housing	1	48		Screw	2
23*		Piston seal.....	1	49		Solenoid	1
25		Screw	1	52055861		Clamp, nylon, 10 pack	1
26		Spring.....	1	50		Clamp.....	2
29	50018922	Relief valve unit (includes 31–39)		51		Screw	1
		(all except EK6IDLX, EK622LX, EK6IDCLX,		52	50109162	Threaded bushing	1
		EK6ATILX, EK6FTILX, ESC25LX, ESC35LX,		53		Pump block	1
		ESC35HLX, ESC50LX, ESG25LX,		54	50109308	Threaded bushing	1
		ESG45LX, ETS12LX, LS100X).....	1	55	50109316	Screen	1
	52054799	Relief valve unit (includes 31–39)		56	52049296	Reservoir (all others).....	1
		(EK6ATILX, EK6FTILX, EK6IDCLX,				Reservoir (ESG45LX, LS100X,	1
		ESC50LX, EK6IDLX, EK622LX,				EK6ATILX, EK6FTILX)	
		ETS12LX, ESC25LX)	1	57*		O-ring	1
	52072069	Relief valve unit (includes 31–39)		58		Washer	1
		(ESC35LX, ESG25LX, ESC35HLX).....	1	59		Threaded bushing	1
	52080599	Relief valve unit (includes 31–39)					
		(ESG45LX, LS100X).....	1				

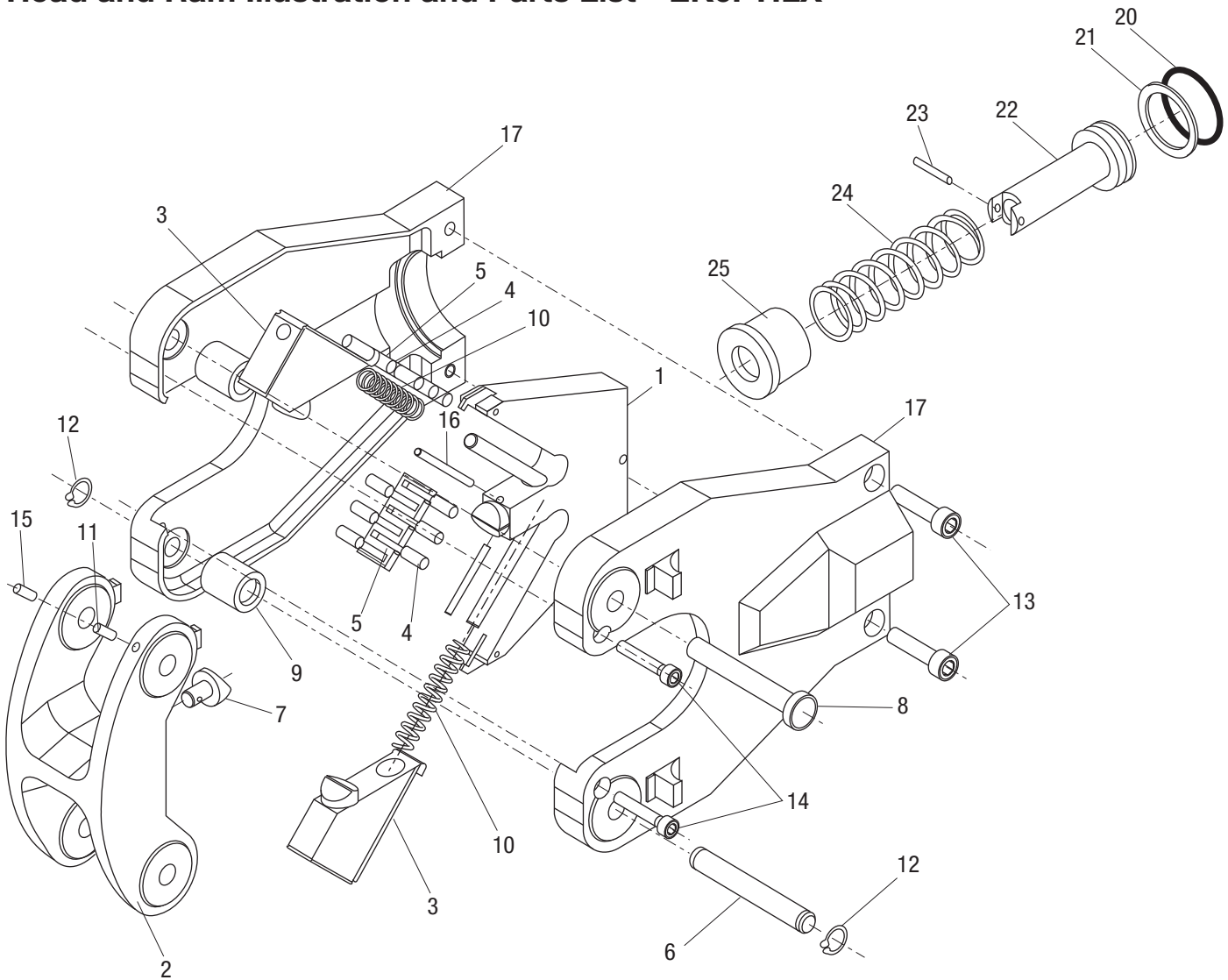
Main Parts List—All Tools (cont'd)

Key	Part No.	Description	Qty	Key	Part No.	Description	Qty
	52082059	Valve kit (includes 60–63)			52079251	Identification decal (EK410LX)	1
60		Valve seat	1		52079249	Identification decal (EK425LX)	1
61		Spring	1		52079255	Identification decal (EK622LX)	1
62		Washer	1		52079253	Identification decal (EK628LX)	1
63		Needle valve	1		52079291	Identification decal (ES20LX)	1
64		Spring	1		52079287	Identification decal (ES32LX)	1
65		Washer	1		52079289	Identification decal (ES32FLX)	1
66		Screw	1		52085047	Identification decal (ESC25LX)	1
67		Top	1		52083256	Identification decal (ESC35HLX)	1
68	52080591	Housing unit (includes 69–79) (all except LS100X)	1		52079312	Identification decal (ESC35LX)	1
	52079476	Housing unit (includes 70–78) (LS100X)	1		52083129	Identification decal (ESC50LX)	1
69		Ring	1		52079293	Identification decal (ESG25LX)	1
70		Screw	5		52079303	Identification decal (ESG45LX)	1
71	50019767	Screw	2		52079283	Identification decal (ETS8LX)	1
72		Compression spring, DA5.5 x L14.0	1		52079285	Identification decal (ETS12LX)	1
73		Trigger link	1	103	52068571	Warning decal, crimping tool	1
75		Housing half	1		52025832	Warning decal, cutter	1
76		Housing half	1		50122746	Carrying strap	
77		Relief valve button	1		52080038	Carrying case (All others)	
78		Trigger cover	1		52085961	Carrying case (EK6ATILX, EK6FTILX)	
79		Stud	1		52082147	Carrying case (ESG45LX)	
80	52085483	Motor assembly (includes 81–92) (ESC25LX)	1		52080165	Carrying case (LS100X)	
	52048132	Motor assembly (includes 81–90) (ALL OTHERS)	1		52022041	Carrying pouch (EK425LX)	
81		Retaining ring	1		52081371	Connector compatibility decal (EK6ATILX)	
82	50019589	Pin	1		52081372	Connector compatibility decal (EK6FTILX)	
83		Motor cap	1		52067905	Connector compatibility decal (EK6IDLX, EK6IDCLX)	
84		Disc housing	1		52047649	Connector compatibility decal (EK410L)	
85		Disc	2		52067054	Connector compatibility tag (EK425L)	
86		Screw	2		52081370	Connector compatibility decal (EK622L, EK628L)	
87		Gear lube, 1.5 g	1	*	50047957	Seal kit (includes items marked with an asterisk, bushings not included)	
88		Motor adapter	1		52049190	18 V battery 2.0 Ah	
89		Electric motor	1		52070023	18 V battery 4.0 Ah	
90		Screw	1		52049201	18 V charger 120 VAC	
91		O-ring	1		52049202	18 V charger 230 VAC	
92		Plate	1		52049204	18 V charger 12 VDC	
100	52079315	In-line GATOR decal	1		52047087	18 V corded adapter 120 VAC	
	52081566	In-line Intelli-PUNCH decal (LS100)	1		52047088	18 V corded adapter 230 VAC	
101	52080505	FCC X version decal	1		52057878	Biodegradable hydraulic fluid	
102	52083252	Identification decal (EK6IDCLX)	1				
	52085520	Identification decal (EK6ATILX)	1				
	52085521	Identification decal (EK6FTILX)	1				
	52079271	Identification decal (EK6IDLX)	1				

Head and Ram Illustration and Parts List—EK6ATILX


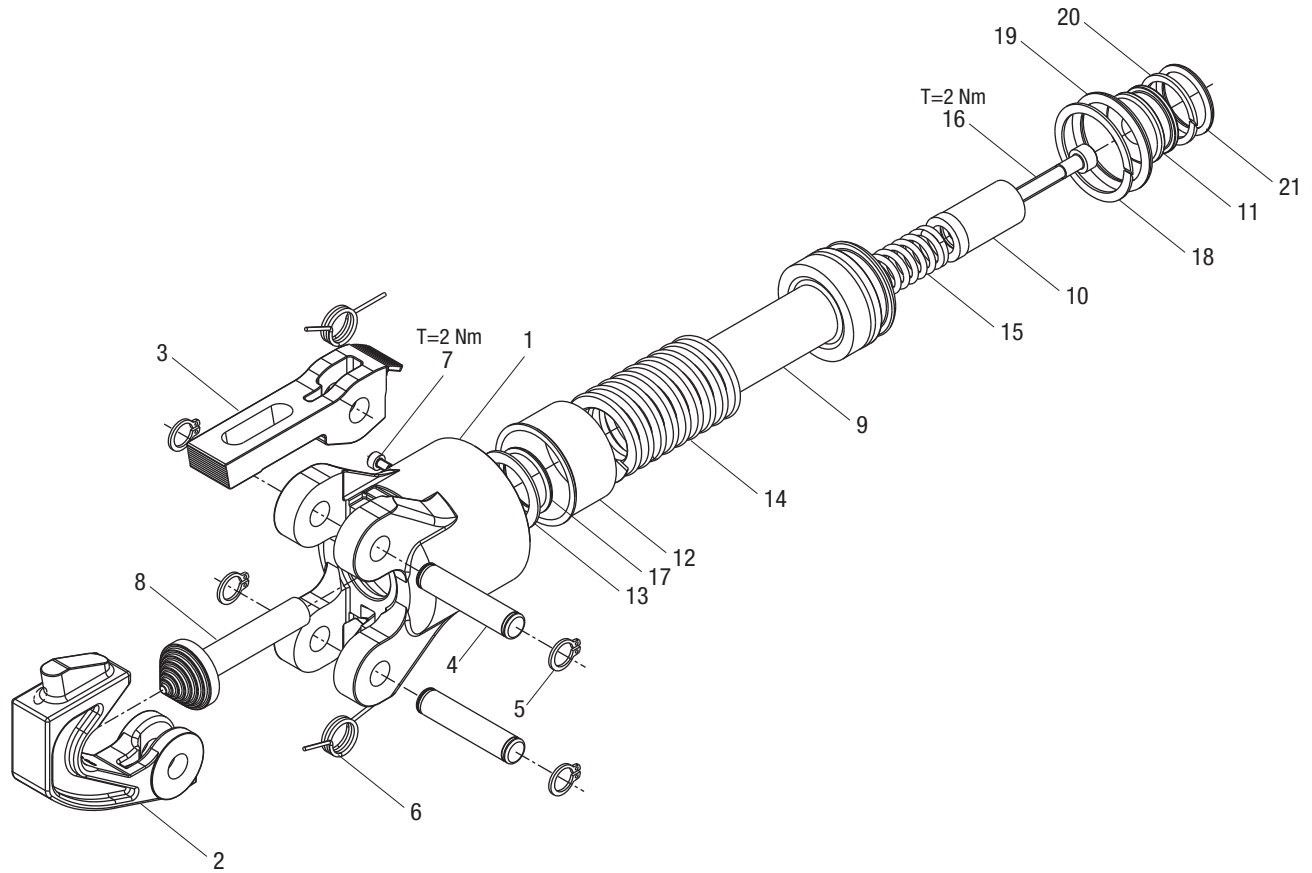
Key	Part No.	Description	Qty
	50017284	Quad point head assembly (includes 1–14)	
1	50017292	Cam yoke assembly.....	1
2		Roller bearings	12
3		Bearing retainers	2
4	50060910	Compression spring.....	3
5	50061003	Screw	2
6	50060848	Fixed jaw	1
7	50060856	Moving jaw	2
8	50060864	Pivot roller	2
9	50060872	Pivot pin	2
10	50061011	Screw	2

Key	Part No.	Description	Qty
	50060953	Head kit (includes 11, 12)	
11		Head cover (LH)	1
12		Head cover (RH).....	1
13	50017276	Spring pin.....	2
14	50017349	Spring pin.....	1
20*		O-ring (included in 50047957).....	1
21*		Backup ring (included in 50047957).....	1
22	50063812	Piston	1
23	50063405	Pin	1
24	50058398	Compression spring.....	1
25	50063820	Sleeve.....	1
	50061291	Bearing retainer kit (includes 2, 3)	

Head and Ram Illustration and Parts List—EK6FTILX


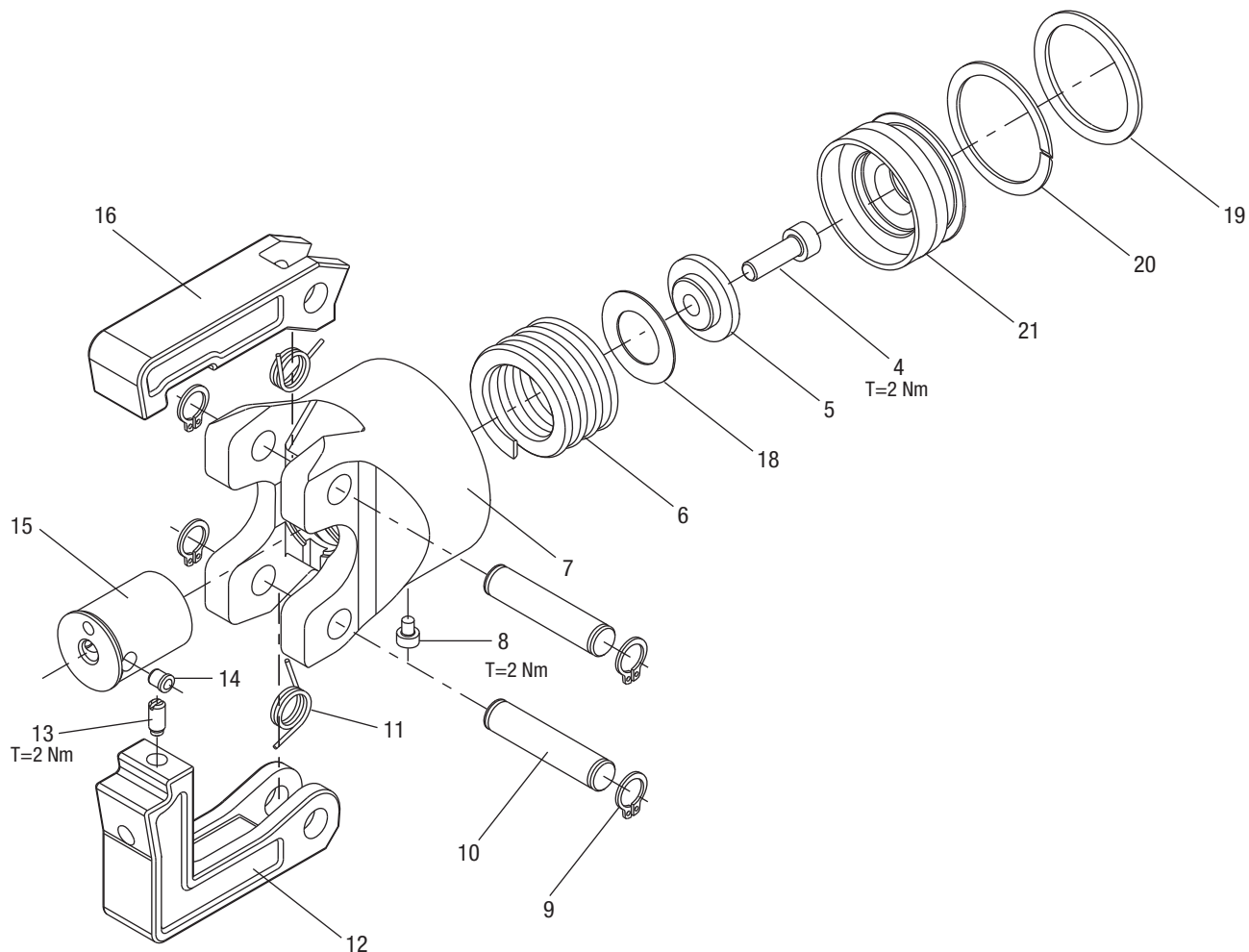
Key	Part No.	Description	Qty
	50017225	Quad point flip-top head assembly (includes 1–17)	
1	50017233	Cam yoke assembly.....	1
2	50061178	Latch (includes 7).....	1
3	50061275	Moving jaw.....	2
4		Roller bearing.....	12
5		Bearing retainer.....	2
6	50061216	Latch mounting pin.....	1
7		Latch nib (included in 50061178).....	1
8	50061240	Lock pin.....	1
9	50061160	Side jaw roller.....	2
10	50060910	Compression spring.....	2
11	50060961	Ball screw.....	1

Key	Part No.	Description	Qty
12	50061224	Snap ring.....	2
13	50061003	Screw.....	2
14	50061038	Screw.....	2
15	50103458	Set screw.....	1
16	50017276	Spring pin.....	2
17	52023662	Head cover.....	2
20*		O-ring (included in 50047957).....	1
21*		Backup ring (included in 50047957).....	1
22	50063812	Piston.....	1
23	50063405	Pin.....	1
24	50058398	Compression spring.....	1
25	50063820	Sleeve.....	1
	50061291	Bearing retainer kit (includes 4, 5)	

Head and Ram Illustration and Parts List—EK6IDLX, EK6IDCLX


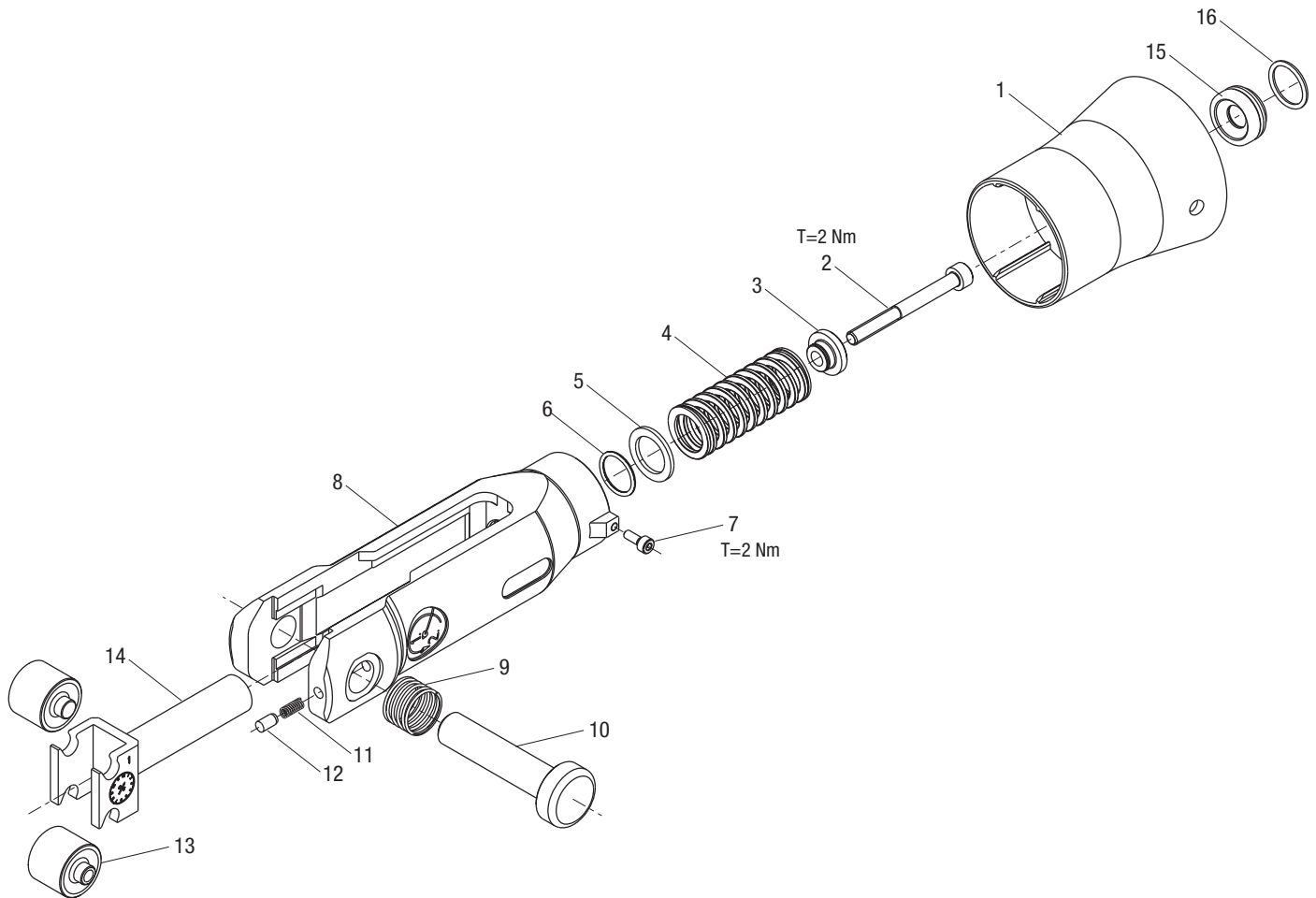
Key	Part No.	Description	Qty
	52067839	Head and ram (includes 1-21)	
	52083810	Head and ram, PVC coated (includes 1-21)	
1	52067891	Fixed head	
	52084043	Fixed head, PVC coated	1
	52067894	Head and latch kit (includes 2, 3)	
	52084100	Head and latch kit, PVC coated (includes 2, 3)	
2		Fixed head	1
3		Latch head	1
	52068196	Fastener kit (includes 4-7)	
	52084099	Fastener kit, PVC coated (includes 4-7)	
4		Pin	2
5		Retaining ring	4
6		Spring	2
7		Screw	1
8	52067893	Cone die	1
	52068197	Ram kit (includes 9-13)	

Key	Part No.	Description	Qty
9		Ram	1
10		Sleeve	1
11	52067840	Piston cup, small	1
12		Bushing	1
13		Adapter disk	1
	52068199	Spring kit (includes 14, 15)	
14		Compression spring	1
15		Spring	1
16	52068200	Hex screw, M5 x 3	1
17*		O-ring (included in 50047957)	1
18*		Piston backup ring (included in 50047957)	1
19*		O-ring, 28.17 x 3.53 N870 (included in 50047957)	1
20*		Backup ring (included in 50047957)	1
21*		O-ring (included in 50047957)	1
	52084447	Head kit, PVC coated Coated (includes 2-7)	

Head and Ram Illustration and Parts List—EK410LX


Key	Part No.	Description	Qty
	50018981	Head and ram (includes 4–18)	
	52055863	Ram kit (includes 4–6, 14, 15, 18)	
4		Shoulder bolt.....	1
5		Disc	1
6		Spring.....	1
7	50019180	Fixed head.....	1
	52055864	Hardware kit (includes 8–11, 13, 14)	
8		Screw	1
9		Retaining ring	4
10		Pin	2
11		Spring.....	2

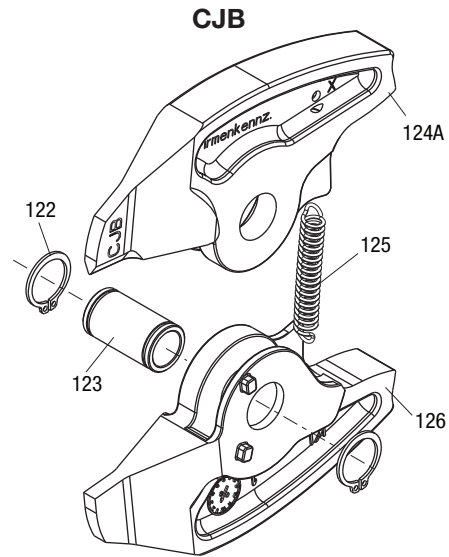
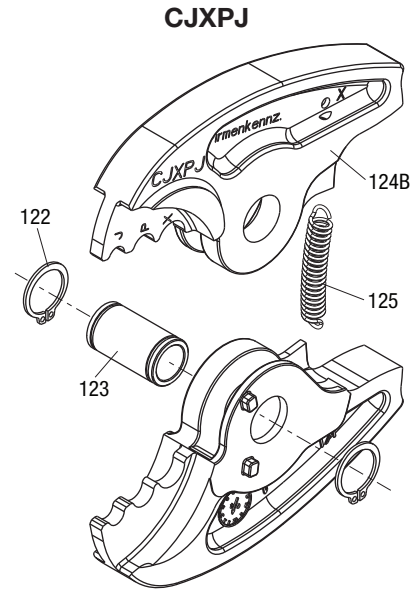
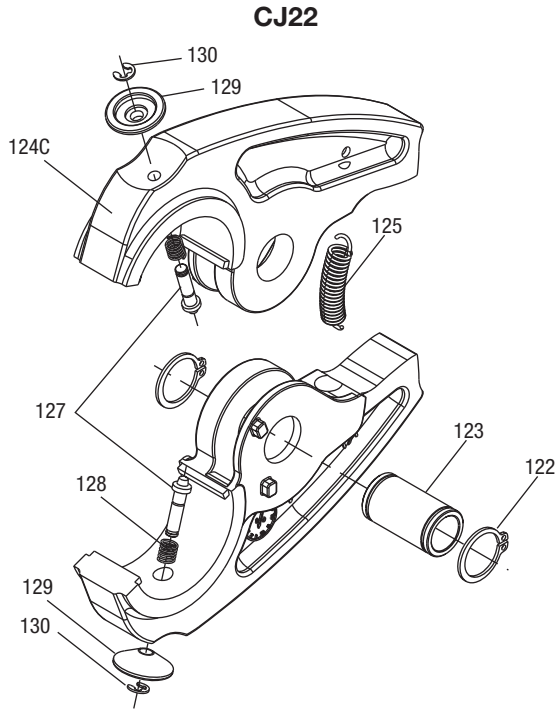
Key	Part No.	Description	Qty
	52040994	Head and latch kit (includes 12, 16)	
12		Movable head.....	1
13		Screw	1
14		Pin	1
15		Ram adapter.....	1
16		Latch head	1
18		Washer	1
19*		O-ring (included in 50047957).....	1
20*		Piston backup ring (included in 50047957)	1
21	50019082	Bushing	1

Ram Illustration and Parts List—EK425LX and EK628LX


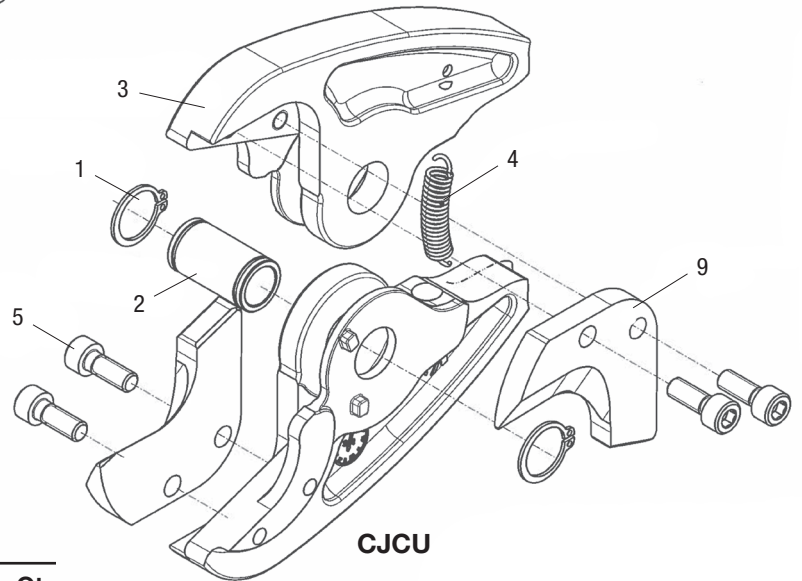
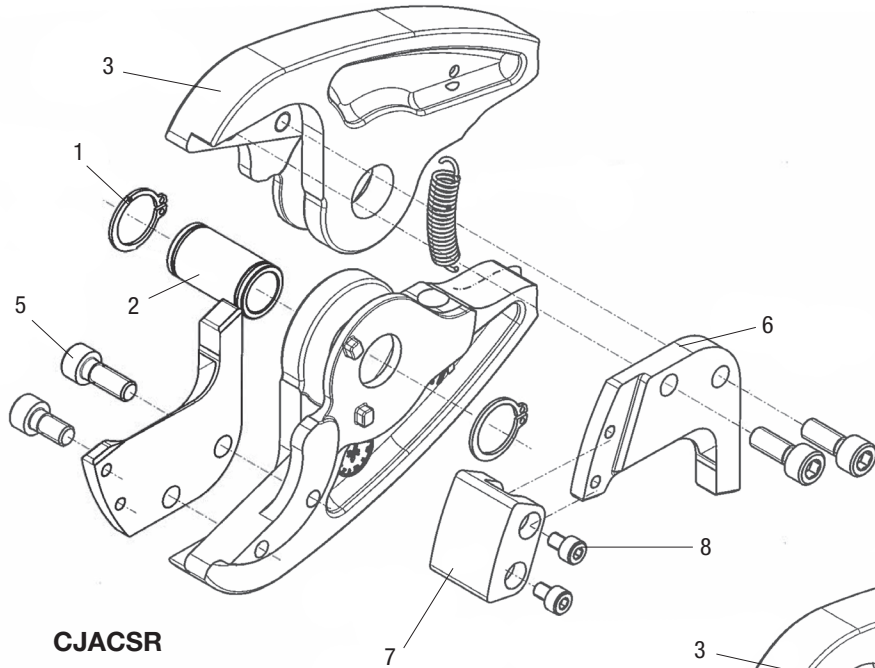
Key	Part No.	Description	Qty
	52080600	Ram unit (includes 1-14)	1
1	52080623	Sheath	1
	52049399	Spring kit (includes 2-6)	
2		Shoulder bolt.....	1
3		Disc	1
4		Compression spring.....	1
5		Washer	1
6*		O-ring (included in 50047957).....	1
7	52057496	Screw	1
8		Jaw holder.....	1

Key	Part No.	Description	Qty
	52049400	Latch kit (includes 9-12)	
9		Compression spring.....	1
10		Locking pin.....	1
11		Compression spring.....	1
12		Pin	1
	52049401	Roller kit (includes 13, 14)	
13		Roller	2
14		Ram.....	1
15	50120050	Bushing with seal	1
16*		Seal bushing (included in 50047957)	1

Jaw Units Illustration and Parts List

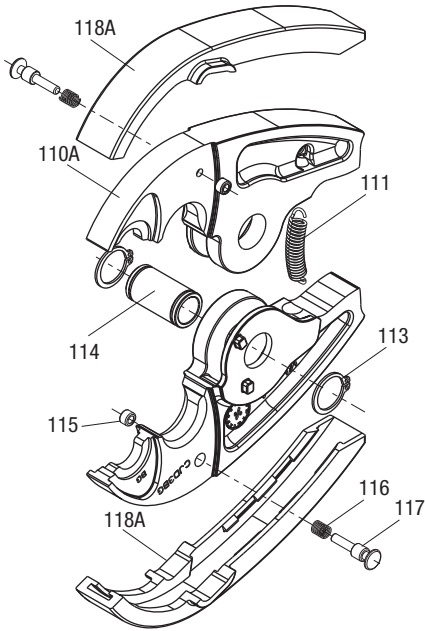
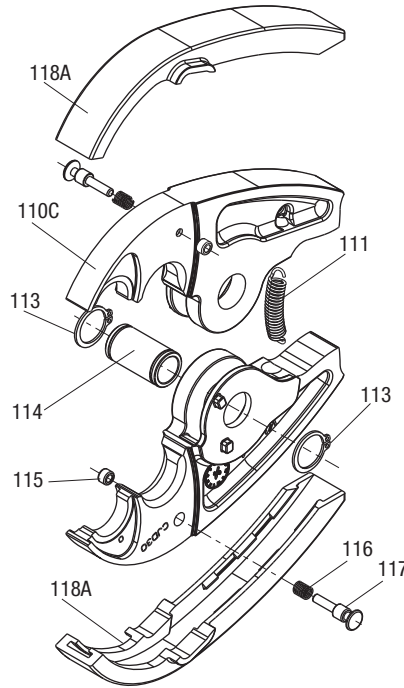
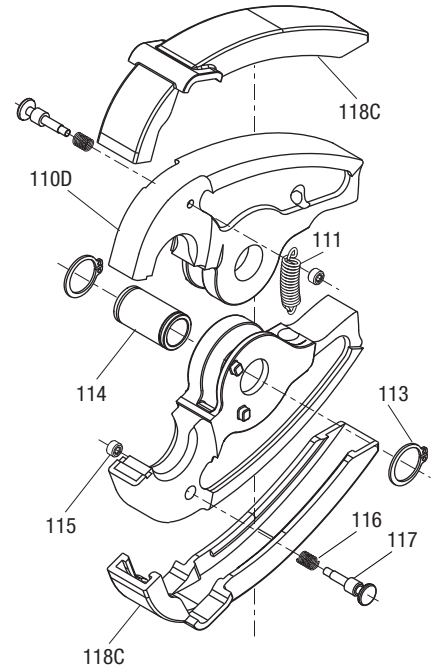
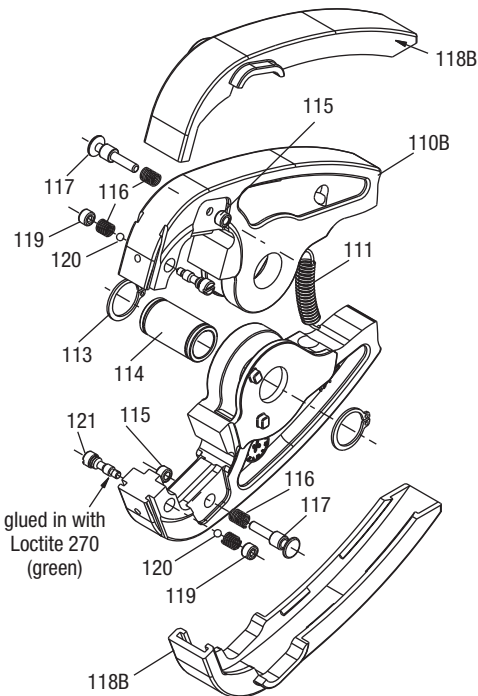


Key	Part No.	Description	Qty
	52024683	CJ22 crimping jaw unit for cUL and UL classified crimps	
	52025649	CJXPJ crimping jaw unit (includes 122-125)	
	52025648	CJB single-use lock cutter (includes 122-126)	
	52049402	Jaw pivot kit (includes 122, 123)	
122		Retaining ring	2
123		Pivot pin	1
124A		Jaw, sharp—CJB	1
124B		Jaw, CJXPJ	2
124C		Jaw, CJ22.....	2
125	52022544	Extension spring.....	1
126		Jaw, flat—CJB.....	1
	52023623	Die retaining pin kit (includes 127–130)	
127		Die retaining pin	2
128		Compression spring	2
129		Release button	2
130		Retaining ring	2

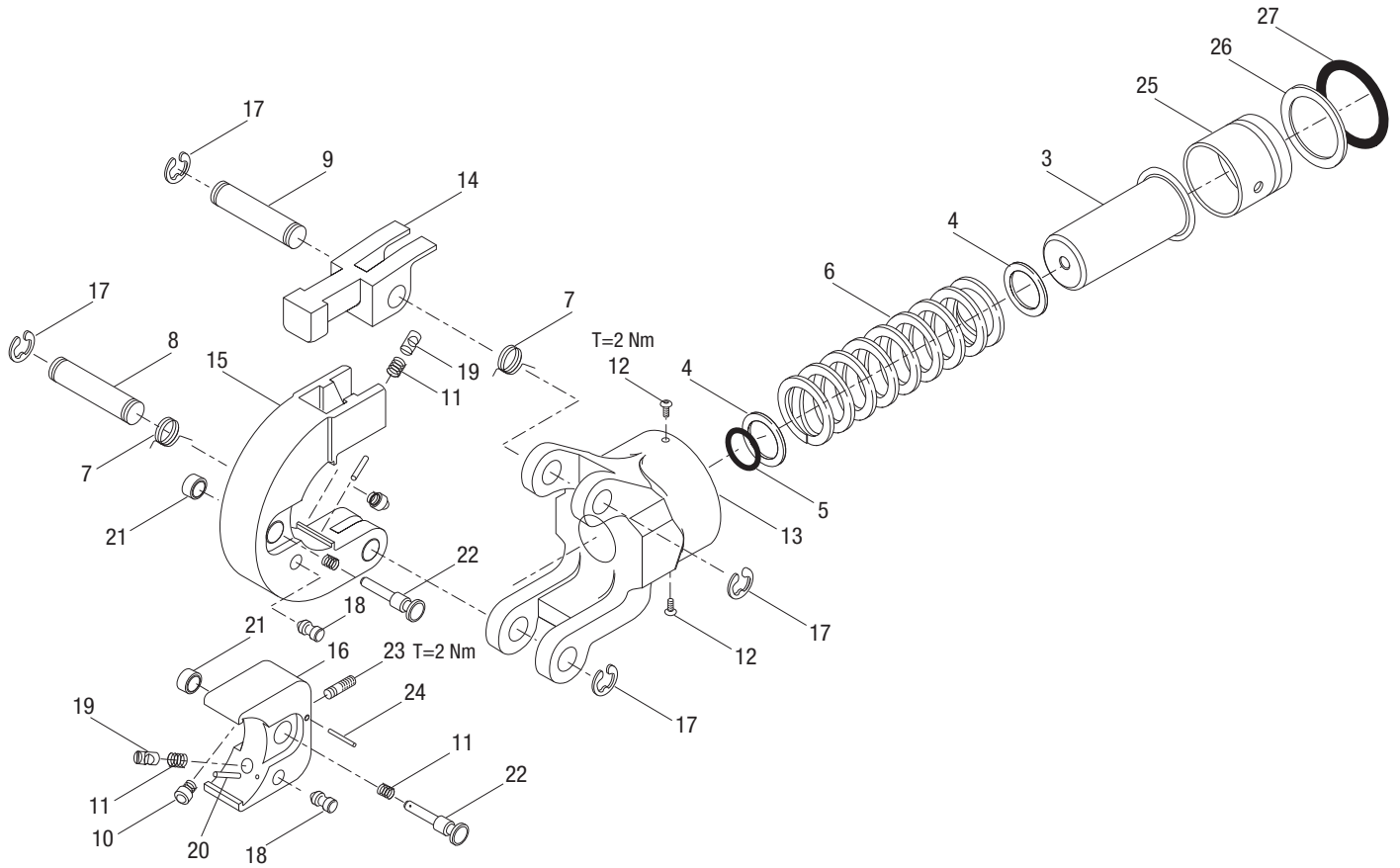
Jaw Units Illustration and Parts List—(cont'd)


Key	Part No.	Description	Qty
	52083942	Jaw Assembly Cu/Al	
	52083943	Jaw Assembly ACSR	
1		Retaining ring	2
2		Pivot pin	1
3		Jaw	2
4	52022544	Extension spring.....	1
5		Screw	4
6		Blade, ACSR	2
7		Blade, Guide.....	1
8		Screw	2
9		Blade Cu/Al	2
	52084453	Blade Kit, Cu/Al (includes 5, 9)	
	52084454	Blade Kit, ACSR (includes 5–8)	

Jaw Units Illustration and Parts List (cont'd)

CJD3BG

CJD30

CJD3

CJK Kearney


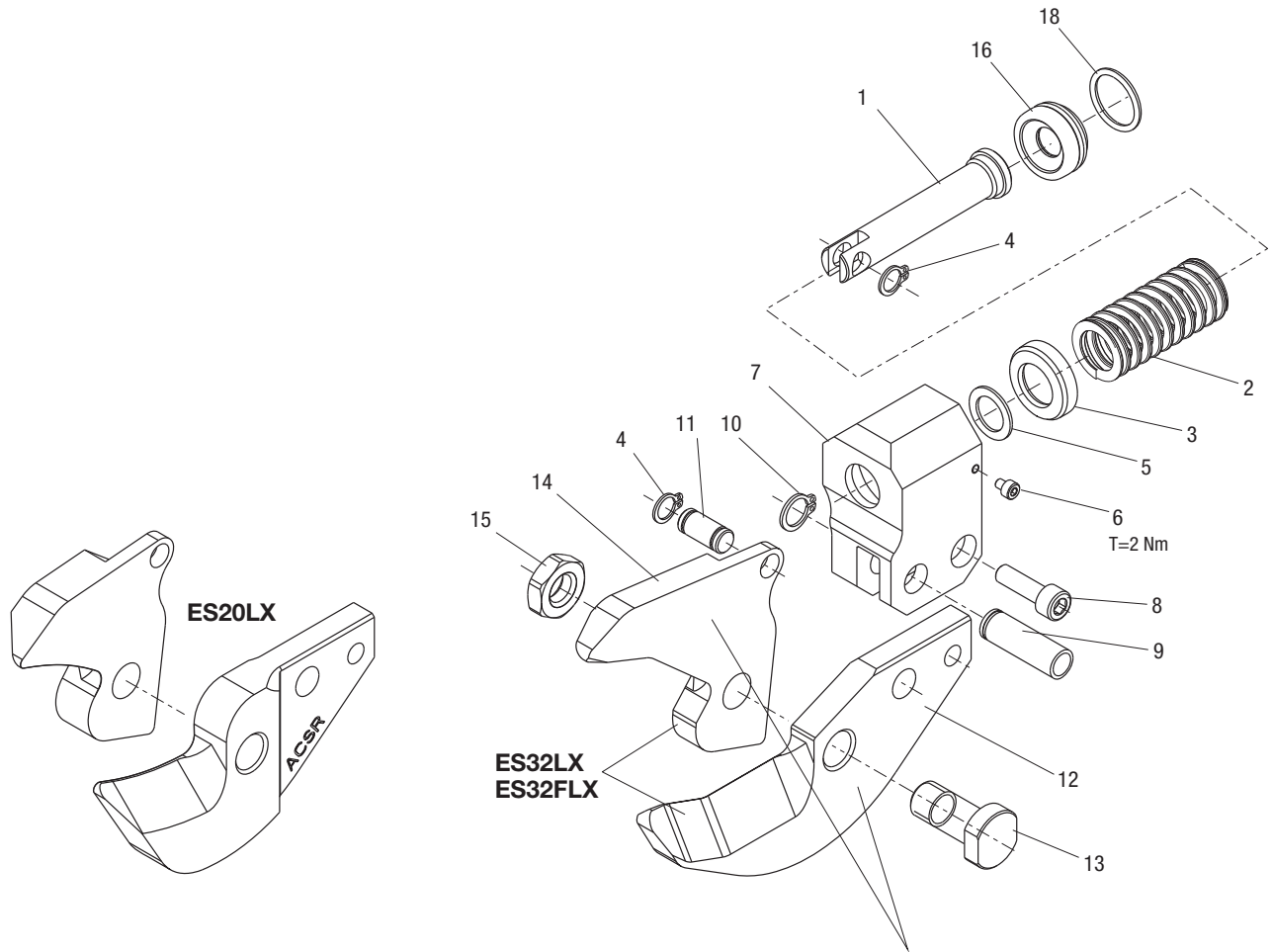
Key	Part No.	Description	Qty
	52027121	CJD3BG crimping jaw unit (includes 110–118)	
	52027122	CJD30 crimping jaw unit (includes 110–118)	
	52024068	CJD3 crimping jaw unit (includes 110–118)	
	52020114	CJK Kearney crimping jaw unit (includes 110–118, 119–121)	
110A		Jaw, CJD3BG.....	2
110B		Jaw, CJK.....	2
110C		Jaw, CJD30.....	2
110D		Jaw, CJD3.....	2
111	52022544	Extension spring.....	1
	52049402	Jaw pivot kit (includes 113, 114)	
113		Retaining ring.....	2
114		Pin pivot.....	1
115		Bushing.....	2
116		Compression spring.....	2
117		Lock adapter.....	2
118A	52025125	Jaw covers, CJD30/CJD3BG (set of 2)....	1
118B	52022386	Jaw covers, CJK (set of 2).....	1
118C	52021086	Jaw covers, CJD3 (set of 2).....	1
119		Bushing.....	2
120		Ball, 3 mm.....	2
121		Locking pin.....	1
	50103750	Die pin kit, "W"-style dies (includes 115–117)	
	50105108	Die pin kit, Kearney-style dies (includes 116, 119–121)	

Head and Ram Illustration and Parts List—EK622LX


Key	Part No.	Description	Qty
	52054798	Head and ram (includes 3–24)	
3	52055797	Ram	1
4	52080214	Adapter disk	2
5*		O-ring (included in 50047957).....	1
6	50058398	Compression spring	1
	52055866	Pin kit (includes 7–9, 17)	
7		Spring.....	2
8		Pin	1
9		Pin	1
	52055867	Die retainer kit (includes 10, 11, 18–22)	
10		Die retainer	2
11		Compression spring	4
12	50041681	Screw	2
13	50058304	Bottom crimp head	1
14	50121693	Latch	1

Key	Part No.	Description	Qty
15	50121731	Top die holder.....	1
16	50121715	Bottom die holder	1
17		Retaining ring	4
18		Die release button	2
19		Die retainer	2
20		Roll Pin	2
21		Die release button	2
22		Locking pin.....	2
	52055865	Die holder kit (includes 23, 24)	
23		Threaded stud.....	1
24		Pin	1
25	52020648	Piston cup	1
26*		Backup ring (included in 50047957).....	1
27*		O-ring (included in 50047957).....	1

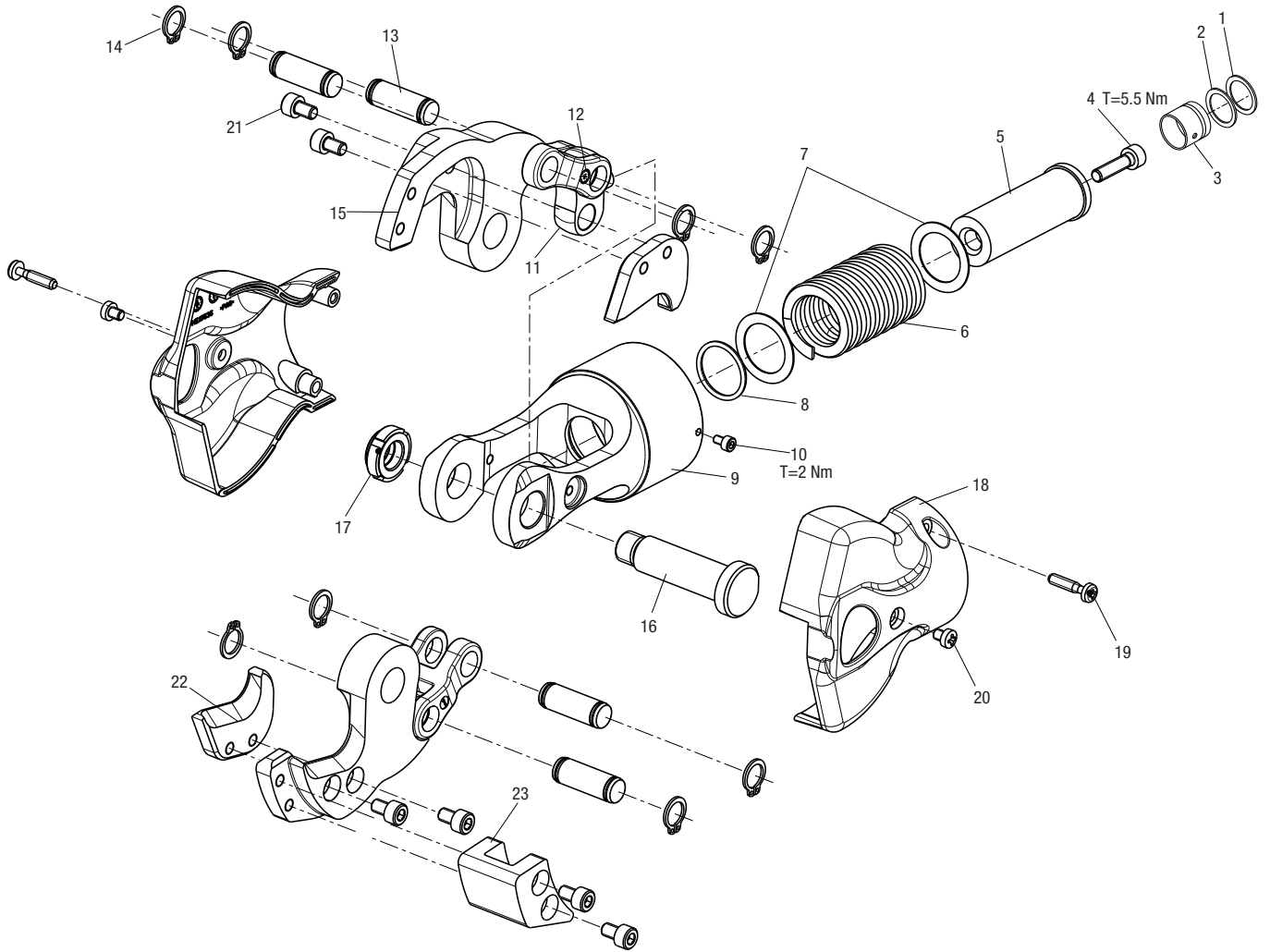
Head and Ram Illustration and Parts List—ES20LX, ES32LX, and ES32FLX



NOTE: ES32FLX blades have a dimple for identification

Key	Part No.	Description	Qty
	52084517	Head assembly, ES20LX (includes 1–15)	
	50121197	Head assembly, ES32LX (includes 1–15)	
	52056587	Head assembly, ES32FLX (includes 1–15)	
	52055868	Ram kit (includes 1–3, 5)	
1		Piston	1
2		Coil spring	1
3		Steel washer.....	1
	52055870	Hardware kit (includes 4, 8–11, 13, 15)	
4		Retaining clip.....	2
5		Steel washer.....	1
6	50019295	Screw	1

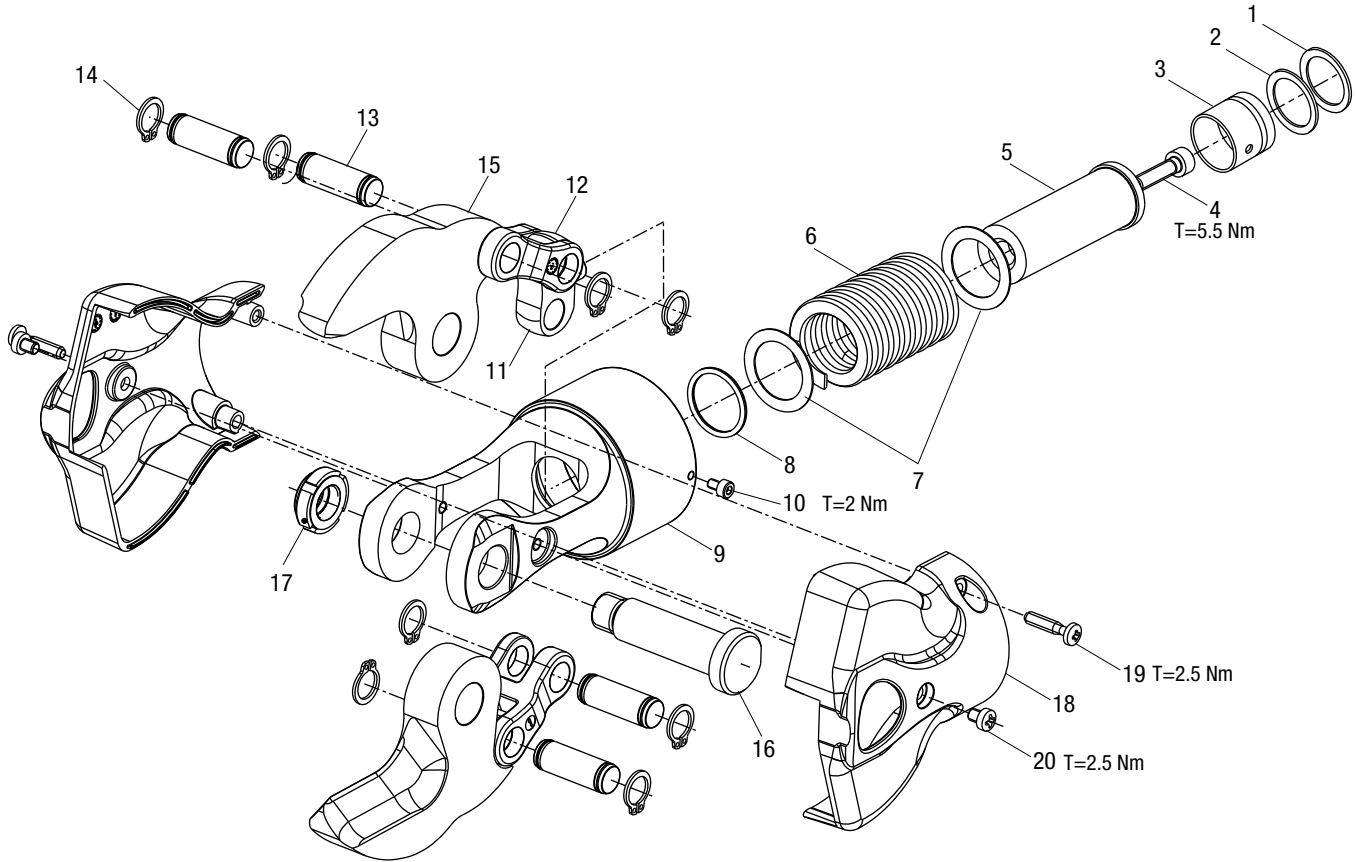
Key	Part No.	Description	Qty
7	50120913	Aluminum head	1
8		Screw	1
9		Pivot	1
10		Retaining clip.....	1
11		Pivot	1
	52055869	Blade kit, ES32LX (includes 12–15)	
	52056589	Blade kit, ES32FLX (includes 12–15)	
	52057271	Blade kit, ES20LX (includes 12–15)	
12		Fixed blade.....	1
13		Pivot bolt	1
14		Movable blade.....	1
15		Hex nut.....	1
16	50120050	Bushing with seal	1
18*		Seal bushing (included in 50047957)	1

Head and Ram Illustration and Parts List—ESC25LX


Key	Part No.	Description	Qty
	52085484	Head assembly (includes 4–23)	
1*		Backup ring (included in 50047957).....	1
2*		O-ring (included in 50047957).....	1
3	52020648	Piston cup	1
	52086134	Ram Kit (includes 4–7).....	1
4		Screw	1
5		Piston rod.....	1
6		Spring.....	1
7		Shim	2
8*		O-ring (included in 50047957).....	1
9	52081525	Base	1
10	52057106	Screw	1
11	52081524	Block.....	1
12	52081528	Link.....	2

Key	Part No.	Description	Qty
	52086135	Hardware Kit (includes 13, 14)	1
13		Pin	4
14		Ring, retaining	8
15	52085485	Blade holder	2
16	52081527	Pivot pin	1
17	52081530	Nut.....	1
	52085983	Blade Cover Kit (includes: 18, 19, 20)	1
18		Cover.....	2
19		Screw	2
20		Screw	2
	52085984	Blade Kit (includes 21, 22, 23).....	1
21		Screw	6
22		Blade	2
23		Guide.....	1

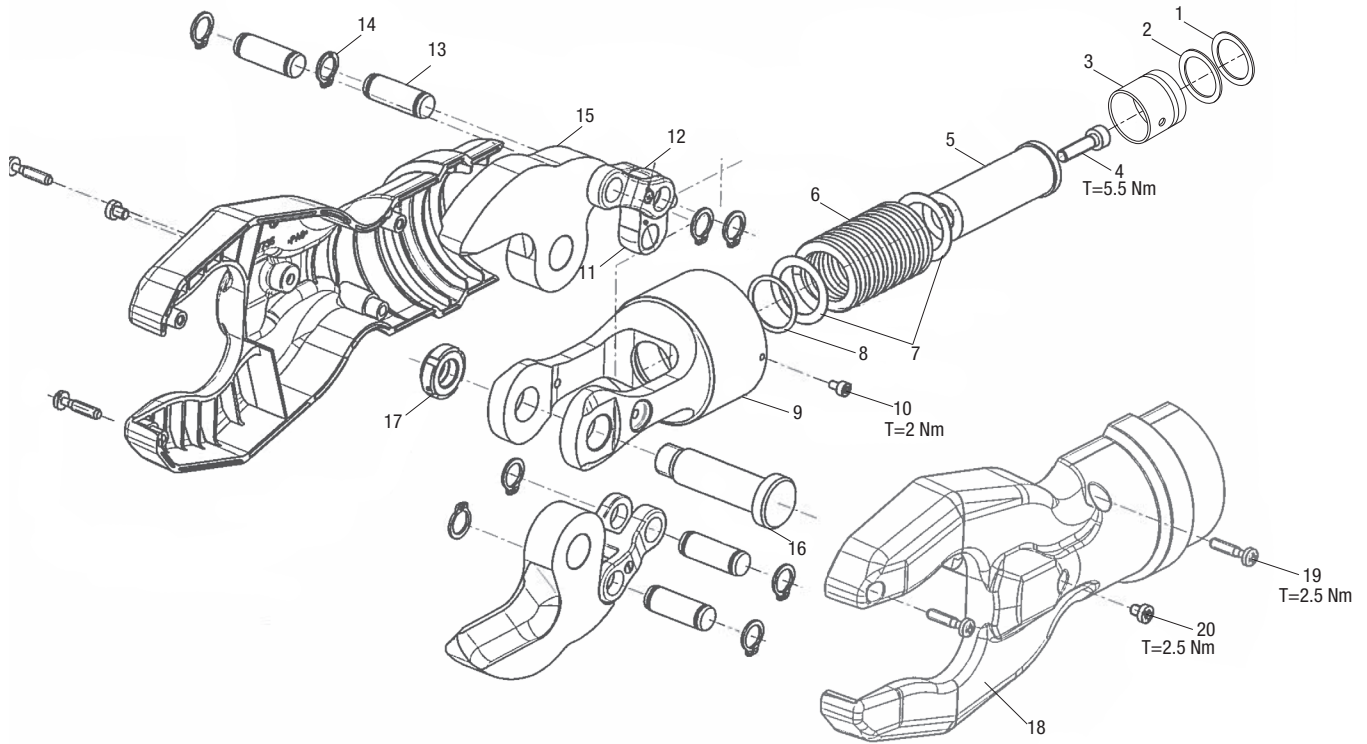
Head and Ram Illustration and Parts List—ESC35LX



Key	Part No.	Description	Qty
	52081523	Head assembly (includes 4–20)	
1*		Backup ring (included in 50047957).....	1
2*		O-ring (included in 50047957).....	1
3	52020648	Piston cup	1
	52086134	Ram kit (includes 4–7)	1
4		Screw	1
5		Piston rod.....	1
6		Spring.....	1
7		Shim	2
8*		O-ring (included in 50047957).....	1
9	52081525	Base	1
10	52057106	Screw	1
11	52081524	Block	1

Key	Part No.	Description	Qty
12	52081528	Link.....	2
	52086135	Hardware kit (includes 13, 14).....	1
13		Pin	4
14		Ring, retaining	8
15	52086485	Blade holder	2
16	52081527	Pivot pin	1
17	52081530	Nut.....	1
	52085983	Blade Cover Kit (includes 18, 19, 20).....	1
18		Cover.....	2
19		Screw	2
20		Screw	2

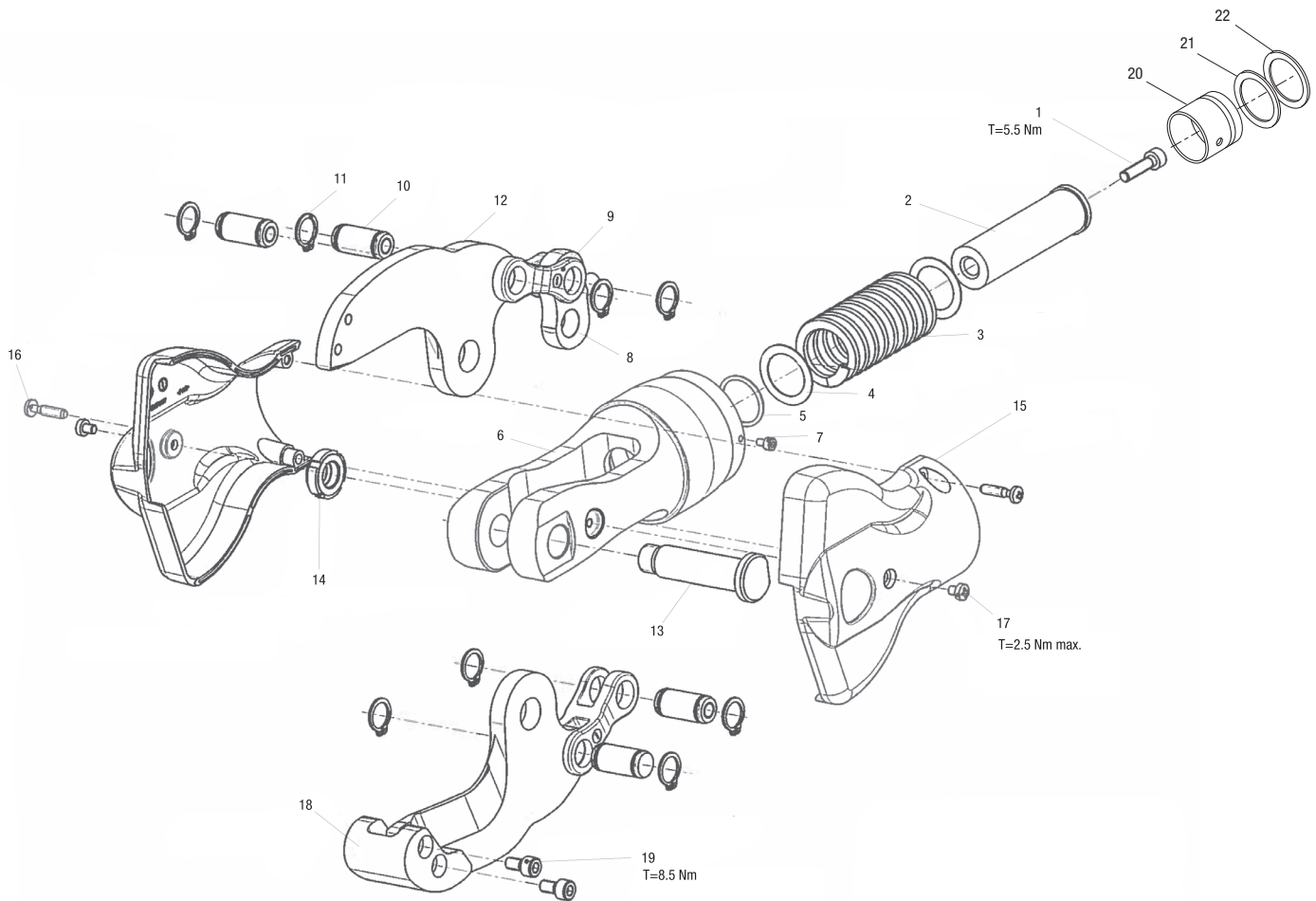
Head and Ram Illustration and Parts List—ESC35HLX



Key	Part No.	Description	Qty
	52083804	Head assembly (includes 4–20)	
	52084446	Hood kit (includes 18–20)	
1*		Backup ring (included in 50047957).....	1
2*		O-ring (included in 50047957).....	1
3	52020648	Piston cup	1
	52086134	Ram kit (includes 4–7)	1
4		Screw	1
5		Piston rod.....	1
6		Spring.....	1
7		Shim	2
8*		O-ring (included in 50047957).....	1
9	52081525	Base	1
10	52057106	Screw	1
11	52081524	Block	1

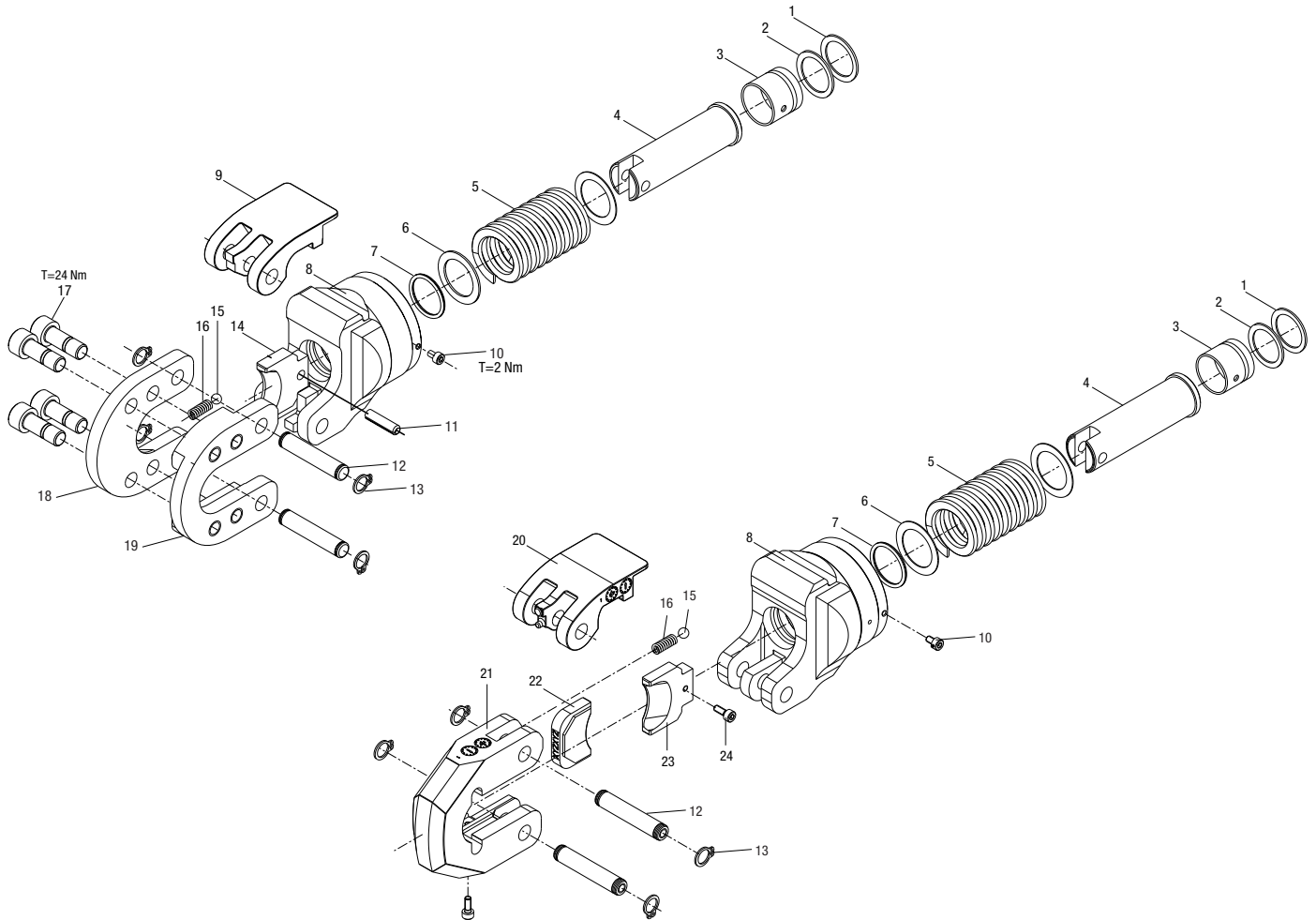
Key	Part No.	Description	Qty
12	52081528	Link.....	2
	52086135	Hardware kit (includes 13,14).....	1
13		Pin	4
14		Ring, retaining	8
15	52081521	Blade	2
16	52081527	Pivot pin	1
17	52081530	Nut.....	1
18	52083805	Cover.....	2
19	52024232	Screw	4
20	50019767	Screw	2

Head and Ram Illustration and Parts List—ESC50LX



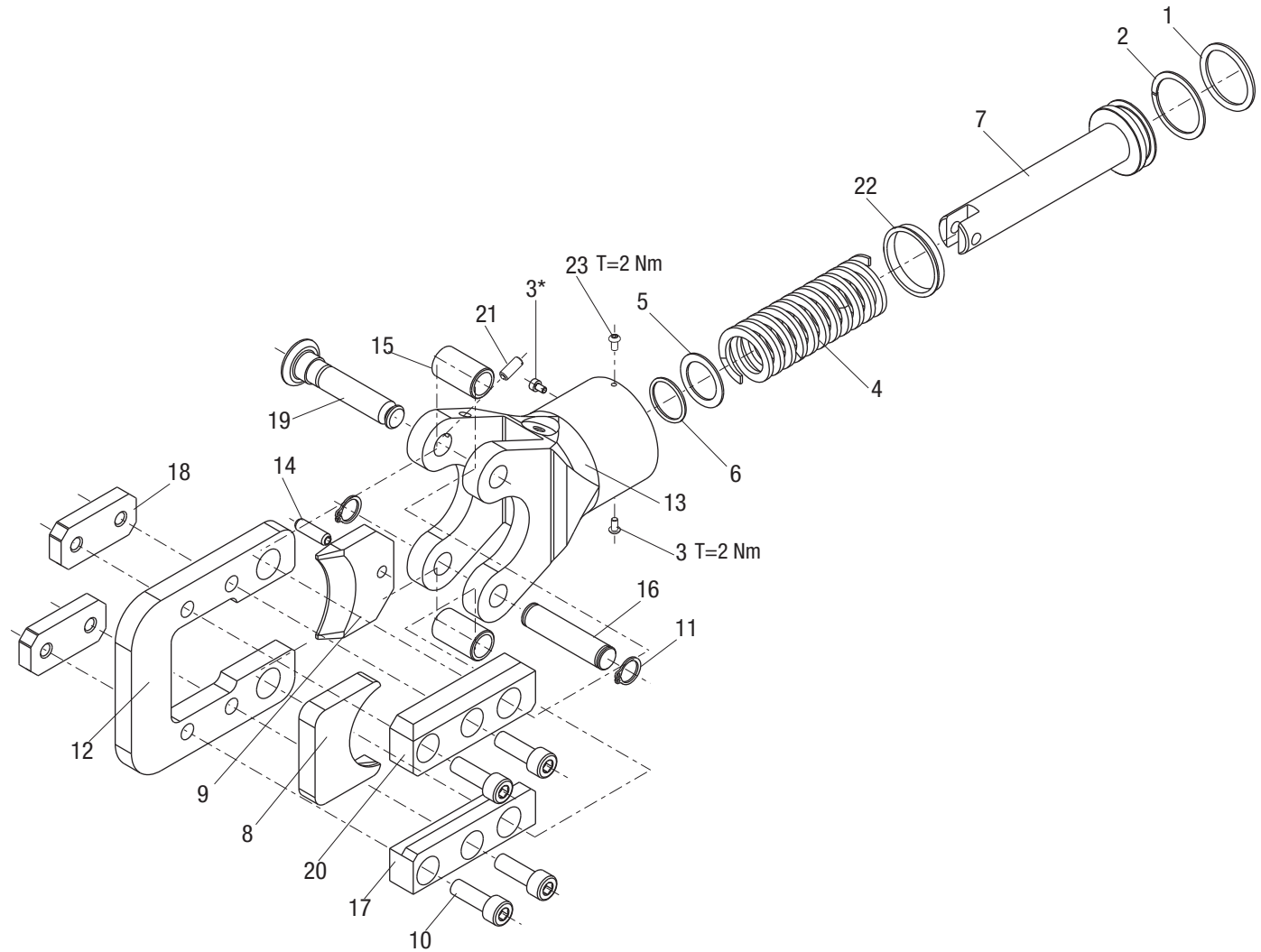
Key	Part No.	Description	Qty
	52083565	Head assembly (includes 1–19)	
1	52081532	Screw	1
2	52083592	Piston rod.....	1
3	50058398	Spring.....	1
4	52080214	Shim	2
5*		O-ring (included in 50047957).....	1
6	52083567	Base	1
7	52057106	Screw	1
8	52083570	Block	1
9	52083568	Link.....	2
10	52083593	Pin	4

Key	Part No.	Description	Qty
11	50104004	Ring, retaining	8
12	52083566	Blade.....	2
13	52083591	Pivot pin	1
14	52081530	Nut.....	1
15	52083594	Cover.....	2
16	52024232	Screw	2
17	50019767	Screw	2
18	52083569	Guide.....	1
19	50043676	Screw	2
20	52020648	Piston cup	1
21*		Bu ring (included in 50047957)	1
22*		O-ring (included in 50047957).....	1

Head and Ram Illustration and Parts List—ESG25LX


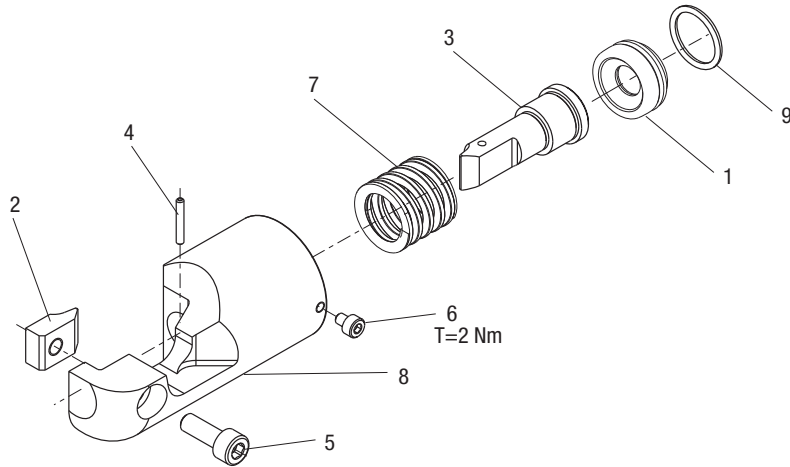
Key	Part No.	Description	Qty
	52057103	Head assembly (includes 4–19)	
1*		Backup ring (included in 50047957).....	1
2*		O-ring (included in 50047957).....	1
3	52020648	Piston cup	1
4	52057107	Ram	1
5	50058398	Compression spring	1
6	52080214	Adapter disk.....	1
7*		O-ring (included in 50047957).....	1
8	52057109	Base	1
9		Latch	1
10	52057106	Screw	1
11	52057111	Blade pin	1
12	52057115	Pivot pin	2
13	50121014	Retaining clip.....	4
14	52057105	Movable blade.....	1

Key	Part No.	Description	Qty
15	52057114	Ball	1
16	52057113	Spring.....	1
17	50103997	Screw	4
18		Fixed blade.....	1
19		Guide plate.....	1
20	52057108	Latch	1
21	52086155	Head.....	1
22	52086157	Blade, fixed	1
23	52086158	Blade, movable	1
24	52057496	Screw	2
	52086125	Full head assembly kit (ESG25-FHK)	1
		(includes 4–8, 10, 12, 13, 15, 16, 20–24)	
	52086126	Conversion assembly kit (ESG25-CK)	1
		(includes 12, 13, 15, 16, 20–24)	
	52086127	Blade kit (ESG25-BK) (includes 22–24).....	1

Head and Ram Illustration and Parts List—ESG45LX


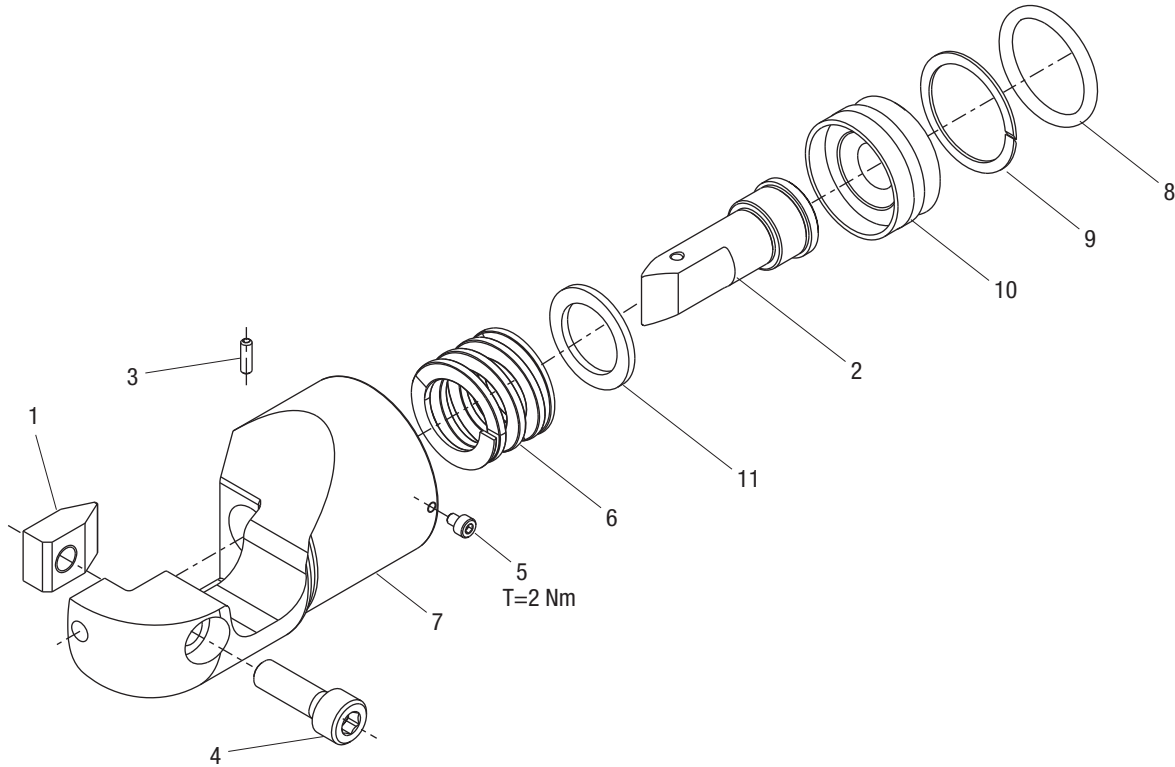
Key	Part No.	Description	Qty
	52080213	Head and ram (includes 8–21)	
1*		O-ring (included in 50047957).....	3
2*		Piston backup ring (included in 50047957).....	1
3		Screw, M3x6 mm button hd cap (units without item 22).....	2
4	50058258	Compression spring.....	2
5		Adapter disk.....	2
6*		O-ring (included in 50047957).....	1
7	50103962	Piston.....	1
8		Stationary blade.....	1
9		Cutting blade.....	1
10		Screw.....	4
11		Snap ring.....	2
12		Cutting head.....	1
13		Cutting head base.....	1

Key	Part No.	Description	Qty
14		Pin, 8 x 20.....	1
15		Sleeve.....	2
16		Pin.....	1
17		Guide plate.....	1
18		Side plate.....	2
19		Pull pin.....	1
20		Brace plate.....	1
21		Screw.....	1
22	52065822	Stroke adjustor (used in models with M3x5 mm screw, key 23).....	1
23	52057106	Screw, M3x5 mm socket hd cap (units with item 22).....	1
	52065824	Plate kit (includes 12, 13, 17, 18, 20).....	1
	52065826	Blade kit (includes 8, 9, 14).....	1
	52065825	Fastener kit (includes 3, 5, 10, 11, 14-16, .. 19, 21-23)	1

Head and Ram Illustration and Parts List—ETS8LX


Key	Part No.	Description	Qty
	52024562	Head and ram (includes 2–8)	
1	50120050	Bushing with seal	1
	52024565	Cutter blade kit (includes 2–5)	
2		Cutter plate	1
3		Cutting rod	1
4		Spring-type straight pin	1
5		Socket head cap screw, m5-14	1

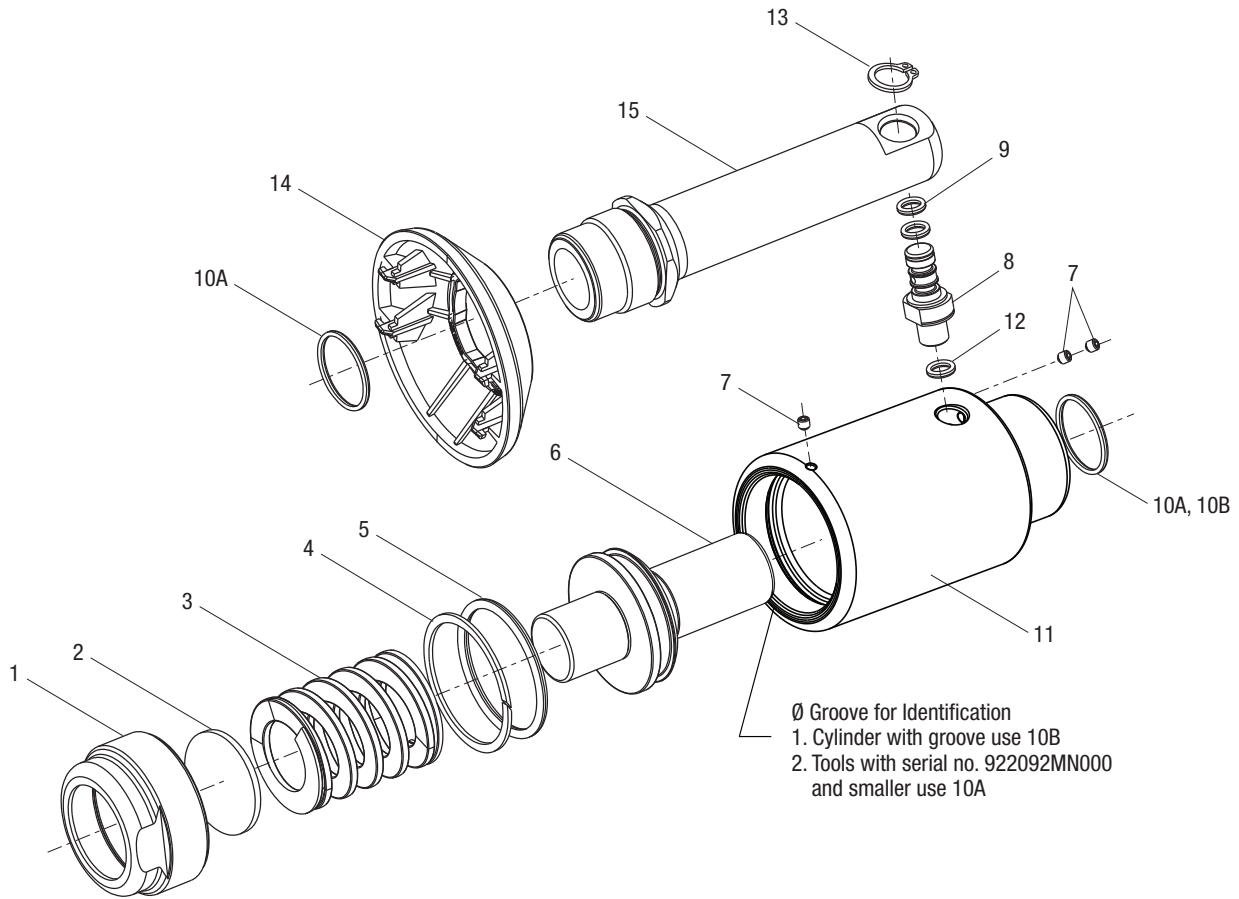
Key	Part No.	Description	Qty
6	50019295	Hex head cap screw, m3x4.....	1
7	50019120	Compression spring.....	1
8	52026760	Cutter head	1
9*		Seal bushing (included in 50047957)	1

Head and Ram Illustration and Parts List—ETS12LX


Key	Part No.	Description	Qty
	52033626	Head assembly (includes 1–7, 11)	
	52033628	Cutter blade kit (includes 1–4).....	1
1		Fixed blade.....	1
2		Movable blade.....	1
3		Roll pin	1
4		Socket head cap screw.....	1
5	50019295	Hex head cap screw, m3x4.....	1

Key	Part No.	Description	Qty
6	50019236	Compression spring.....	1
7		Cutter head	1
8*		O-ring (included in 50047957).....	1
9*		Piston backup ring (included in 50047957)	1
10	50019082	Bushing	1
11	52080214	Washer	1

Head and Ram Illustration and Parts List—LS100X



Key	Part No.	Description	Qty
	52079409	Punch head assembly (includes 1–12)	
1	52068308	Cylinder cap	1
2	52068309	Cylinder cap cover	1
3	50066919	Spring, 40 mm.....	1
4		Backup ring.....	1
5		O-ring, 44 x 3 mm (black).....	1
6	52081110	Piston	1
7		Screw, set hex socket (DIN 916 M4 x 4) ...	3
8		Cylinder adapter.....	1
9		O-ring, 6.7 x 2 mm (green)	2
10A		O-ring, 26 x 2 mm (green)	2

Key	Part No.	Description	Qty
10B		O-ring, 26, 2x3	1
11	52081122	Cylinder	1
12		O-ring	1
13		Retaining ring	1
14	52080891	Cover.....	1
15	52079480	Pump block extension.....	1
	52069044	Seal kit (includes 4, 5, 7, 9, 10, 12, 13)	
	52079983	Adapter kit (includes 7(2), 8, 9, 12, 13)	

