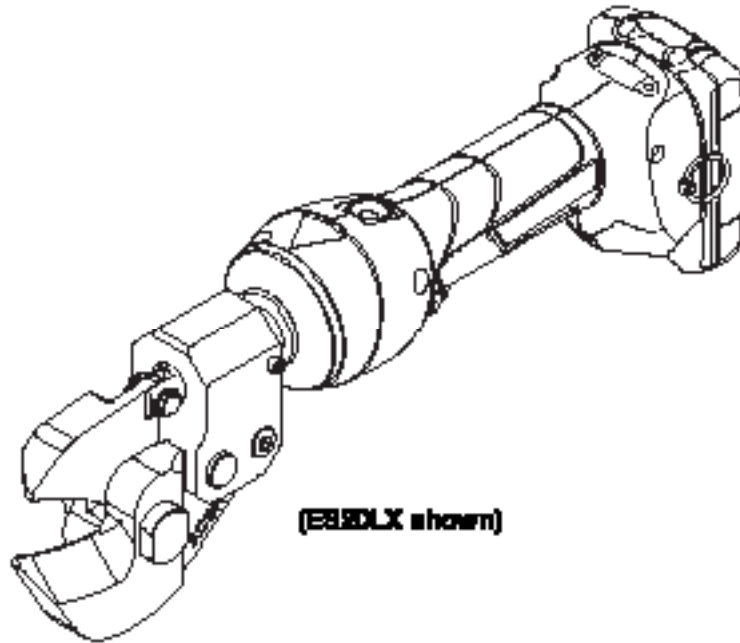


OPERATION MANUAL



Serial Number



Français..... 21
Español..... 41

GATOR[®] **Battery-powered** **In-line Cutters**



Read and understand all of the instructions and safety information in this manual before operating or servicing this tool.

Register this product at www.greenlee.com

Table of Contents

Description	2
Safety	3
Purpose of this Manual	3
Important Safety Information.....	4-5
General Safety Warning*	6-7
Identification.....	8-10
Specifications.....	11-14
Operation.....	15-17
LCD Screen	18
Maintenance.....	19
Troubleshooting.....	20

Description

Greenlee's Battery-powered In-line Cutters are hand-held, self-contained cutting tools intended to cut the following:

- **EK425LXCJACSR Cutter:** ACSR and guy strand (EHS)
- **EK425LXCJUAL Cutter:** Aluminum and copper cable up to 1-3/8" (35 mm)
- **ES20LX ACSR Cutter:** Copper and aluminum cable up to 3/4" (19 mm), 336 ACSR, 3/8" reinforcement bar (rebar), and 3/8" stranded guy wire. It is not intended for use on EHS guy wire.
- **ES32LX Cable Cutter:** Aluminum and copper cable only.
- **ES32FLX Cable Cutter:** Fine stranded cable only.
- **ESC25LX ACSR Cutter:** Copper and aluminum cable up to 1" (25 mm), 557 ACSR, and 3/8" stranded guy wire. It is not intended for use on EHS guy wire.
- **ESC35LX Cable Cutter:** Regular and fine stranded aluminum and copper cable.
- **ETS8LX Cable Tray Cutter:** Wire, basket-style cable trays up to 0.31" (8.0 mm) diameter.
- **ETS12LX Single Use Lock Cutter and Bolt Cutter:** Bolts, steel rods, one-time disposable locks, and sea container seals or similar soft metal devices.
- **ESG25LX Cable Cutter:** Copper and aluminum cable up to 1" (25 mm), 636 ACSR, 3/8" reinforcement bar (rebar), 5/8" stranded guy wire and 1/2" wire rope. It is not intended for use on EHS guy wire.
- **ESG45LX Cable Cutter:** ACSR and guy strand.
- **ESC50LX Cable Cutter:** Aluminum and copper cable up to 2" (50 mm).
- **ESC35HLX Cable Cutter:** Aluminum and copper cable up to 1-3/8" (35 mm).

The tool has a Bluetooth® connectivity and an LCD screen.

These tools are protected by U.S. Patent No. 6,276,186, 6,401,515, 6,718,870, 7,086,979, and 7,254,982.

Model X—FCC ID: RFRMS42; IC ID: 4957A-MS42

USA requirements:

*Responsible party: Greenlee Tools, Inc.
Rockford, IL 61109 USA*

Note: This equipment has been tested and found to comply with the limits for a Class A digital device, pursuant to Part 15 of the FCC Rules. These limits are designed to provide reasonable protection against harmful interference when the equipment is operated in a commercial environment. This equipment generates, uses, and can radiate radio frequency energy and, if not installed and used in accordance with the instruction manual, may cause harmful interference to radio communications. Operation of this equipment in a residential area is likely to cause harmful interference in which case the user will be required to correct the interference at his own expense.

This device complies with the RF exposure SAR test exclusion requirements for portable devices, if a minimum separation distance is kept. However, the device shall be used in such a manner that the potential for human contact during normal operation is minimized.

Canada requirements:

This device complies with Industry Canada's license-exempt RSSs. Operation is subject to the following two conditions:

- (1) This device may not cause interference; and*
- (2) This device must accept any interference, including interference that may cause undesired operation of the device.*

Le présent appareil est conforme aux CNR d'Industrie Canada applicables aux appareils radio exempts de licence. L'exploitation est autorisée aux deux conditions suivantes:

- 1) l'appareil ne doit pas produire de brouillage;*
- 2) l'utilisateur de l'appareil doit accepter tout brouillage radioélectrique subi, même si le brouillage est susceptible d'en compromettre le fonctionnement.*

KEEP THIS MANUAL

Safety

Safety is essential in the use and maintenance of Greenlee tools and equipment. This manual and any markings on the tool provide information for avoiding hazards and unsafe practices related to the use of this tool. Observe all of the safety information provided.

Purpose of this Manual

This manual is intended to familiarize all personnel with the safe operation and maintenance procedures for the following Greenlee tools:

- EK425LXCJACSR Battery-powered ACSR Cutter
- EK425LXCJUAL Battery-powered Cable Cutter
- ES20LX Battery-powered ACSR Cutter
- ES32LX Battery-powered Cable Cutter
- ES32FLX Battery-powered Cable Cutter
- ESC25LX Battery-powered ACSR Cutter
- ESC35LX Battery-powered Cable Cutter
- ESC50LX Battery-powered Cable Cutter
- ESC35HLX Battery-powered Cable Cutter
- ETS8LX Battery-powered Cable Tray Cutter
- ETS12LX Battery-powered Single Use Lock Cutter and Bolt Cutter
- ESG25LX Battery-powered Cable Cutter
- ESG45LX Battery-powered Cable Cutter

Keep this manual available to all personnel.

Replacement manuals are available upon request at no charge at www.greenlee.com.



Do not discard this product or throw away!


For recycling information, go to www.greenlee.com.


All specifications are nominal and may change as design improvements occur. Greenlee Tools, Inc. shall not be liable for damages resulting from misapplication or misuse of its products.


GATOR is a registered trademark of Greenlee Tools, Inc.

Bluetooth is a registered trademark of Bluetooth SIG, Inc.


IMPORTANT SAFETY INFORMATION


	<h3>SAFETY ALERT SYMBOL</h3>
<p>This symbol is used to call your attention to hazards or unsafe practices which could result in an injury or property damage. The signal word, defined below, indicates the severity of the hazard. The message after the signal word provides information for preventing or avoiding the hazard.</p>	
<div style="background-color: black; color: white; padding: 5px; width: fit-content; margin: 0 auto;"> ! WILL </div>	
<p>Immediate hazards which, if not avoided, WILL result in severe injury or death.</p>	
<div style="border: 1px solid black; padding: 5px; width: fit-content; margin: 0 auto;"> ! WARNING </div>	
<p>Hazards which, if not avoided, COULD result in severe injury or death.</p>	
<div style="border: 1px solid black; padding: 5px; width: fit-content; margin: 0 auto;"> ! CAUTION </div>	
<p>Hazards or unsafe practices which, if not avoided, MAY result in injury or property damage.</p>	


	<h3>! WARNING</h3>
<p>Read and understand all of the instructions and safety information in this manual before operating or servicing this tool.</p>	
<p>Failure to observe this warning could result in severe injury or death.</p>	

	<h3>! WARNING</h3>
<p>Electric shock hazard: This tool is not insulated. When using this unit near energized electrical lines, use proper personal protective equipment.</p>	
<p>Failure to observe this warning could result in severe injury or death.</p>	

	<h3>! WARNING</h3>
<p>Wear eye protection when operating or servicing this tool.</p>	
<p>Failure to wear eye protection could result in serious eye injury from flying debris or hydraulic oil.</p>	

	<h3>! WARNING</h3>
<p>Skin injection hazard:</p>	
<p>Do not use hands to check for oil leaks. Oil under pressure easily punctures skin. If injured, seek medical attention immediately to remove oil.</p>	
<p>Failure to observe this warning could result in serious injury, gangrene, or death.</p>	

	<h3>! WARNING</h3>
<p>Do not use solvents or flammable liquids to clean the tool body. Solvents or flammable liquids could ignite and cause serious injury or property damage.</p>	

	<h3>! WARNING</h3>
<p>Cutting hazard:</p>	
<ul style="list-style-type: none"> • Remove battery before changing dies, adapters, or jaws. • Keep hands away from the cutting head when cutting. 	
<p>Failure to observe these warnings could result in severe injury or death.</p>	

<h3>! WARNING</h3>
<p>Do not dispose of batteries in a fire. They will vent fumes and may explode.</p>
<p>Failure to observe this warning could result in severe injury from harmful fumes or burns from flying debris.</p>

IMPORTANT SAFETY INFORMATION

⚠ WARNING

- Inspect tool and blades before use. Replace any worn or damaged parts. A damaged or improperly assembled tool can break and strike nearby personnel.
- Carrying strap is for carrying only, not to be used to hang or suspend tool.

Failure to observe these warnings could result in severe injury or death.

⚠ CAUTION

- Do not operate the tool without cutting blades. Damage to the ram or cutting head can result.
- Do not twist work piece or tool during cutting operation. Blade failure could result.
- This tool is not designed for continuous use. After 100 cutting cycles, allow the cutting tool to cool for 15 minutes.
- Do not secure this tool in a vise. This tool is designed for hand-held operation.
- This tool may be used in damp or wet environments; however, air-drying is recommended before use if the tool becomes soaked. Damage may result when the tool is operated prior to thorough drying when electrical components are soaked.
- Use this tool for the manufacturer's intended purpose only.

Failure to observe these precautions may result in injury or property damage.

⚠ CAUTION

Do not allow anything to contact the battery terminals.

- Do not immerse the batteries in liquid. Liquid may create a short circuit and damage the battery. If batteries are immersed, contact your service center for proper handling.
- Do not place the battery into a pocket, tool pouch, or tool box with conductive objects. Conductive objects may create a short circuit and damage the battery.
- Do not place a battery on moist ground or grass. Moisture may create a short circuit and damage the battery.

Failure to observe these precautions may result in injury or property damage.

⚠ CAUTION

- Do not store the battery at more than 122 °F (50 °C) or less than -4 °F (-20 °C). Damage to the battery can result.
- Do not use another manufacturer's charger. Other manufacturers' chargers may overcharge and damage the battery.
- Do not attempt to open the battery. It contains no user-serviceable parts.

Failure to observe these precautions may result in injury or property damage.

⚠ CAUTION

Do not perform any service or maintenance other than as described in this manual. Injury or damage to the tool may result.

Failure to observe this precaution may result in injury and property damage.

Note: Keep all decals clean and legible, and replace when necessary.

General Safety Warnings***⚠ WARNING**

Read all safety warnings, instructions, illustrations and specifications provided with this power tool. Failure to follow all instructions listed below may result in electric shock, fire and/or serious injury.

SAVE ALL WARNINGS AND INSTRUCTIONS FOR FUTURE REFERENCE.

The term “power tool” in the warnings refers to your mains-operated (corded) power tool or battery operated (cordless) power tool.

WORK AREA SAFETY

- Keep work area clean and well lit. Cluttered or dark areas invite accidents.
- Do not operate power tools in explosive atmospheres, such as in the presence of flammable liquids, gases or dust. Power tools create sparks which may ignite the dust or fumes.
- Keep children and bystanders away while operating a power tool. Distractions can cause you to lose control.

ELECTRICAL SAFETY

- Power tool plugs must match the outlet. Never modify the plug in any way. Do not use any adapter plugs with earthed (grounded) power tools. Unmodified plugs and matching outlets will reduce risk of electric shock.
- Avoid body contact with earthed or grounded surfaces, such as pipes, radiators, ranges and refrigerators. There is an increased risk of electric shock if your body is earthed or grounded.
- Do not expose power tools to rain or wet conditions. Water entering a power tool will increase the risk of electric shock.
- Do not abuse the cord. Never use the cord for carrying, pulling or unplugging the power tool. Keep cord away from heat, oil, sharp edges or moving parts. Damaged or entangled cords increase the risk of electric shock.
- When operating a power tool outdoors, use an extension cord suitable for outdoor use. Use of a cord suitable for outdoor use reduces the risk of electric shock.
- If operating a power tool in a damp location is unavoidable, use a **RESIDUAL CURRENT DEVICE (RCD)** protected supply. Use of an RCD reduces the risk of electric shock.

PERSONAL SAFETY

- Stay alert, watch what you are doing and use common sense when operating a power tool. Do not use a power tool while you are tired or under the influence of drugs, alcohol or medication. A moment of inattention while operating power tools may result in serious personal injury.
- Use personal protective equipment (PPE). Always wear eye protection. Protective equipment such as dust mask, non-skid safety shoes, hard hat, or hearing protection used for appropriate conditions will reduce personal injuries.
- Prevent unintentional starting. Ensure the switch is in the off-position before connecting to power source and/or **BATTERY** pack, picking up or carrying the tool. Carrying power tools with your finger on the switch or energizing power tools that have the switch on invites accidents.
- Remove any adjusting key or wrench before turning the power tool on. A wrench or a key left attached to a rotating part of the power tool may result in personal injury.
- Do not overreach. Keep proper footing and balance at all times. This enables better control of the power tool in unexpected situations.
- Dress properly. Do not wear loose clothing or jewelry. Keep your hair, clothing and gloves away from moving parts. Loose clothes, jewelry or long hair can be caught in moving parts.
- If devices are provided for the connection of dust extraction and collection facilities, ensure these are connected and properly used. Use of dust collection can reduce dust-related hazards.
- Do not let familiarity gained from frequent use of tools allow you to become complacent and ignore tool safety principles. A careless action can cause severe injury within a fraction of a second.

POWER TOOL USE AND CARE

- Do not force the power tool. Use the correct power tool for your application. The correct power tool will do the job better and safer at the rate for which it was designed.
- Do not use the power tool if the switch does not turn it on and off. Any power tool that cannot be controlled with the switch is dangerous and must be repaired.
- Disconnect the plug from the power source and/ or remove the **BATTERY** pack, if detachable, from the power tool before making any adjustments, changing accessories, or storing power tools. Such preventive safety measures reduce the risk of starting the power tool accidentally.

- Store idle power tools out of the reach of children and do not allow persons unfamiliar with the power tool or these instructions to operate the power tool.
- Power tools are dangerous in the hands of untrained users.
- Maintain power tools and accessories. Check for misalignment or binding of moving parts, breakage of parts and any other condition that may affect the power tool's operation. If damaged, have the power tool repaired before use. Many accidents are caused by poorly maintained power tools.
- Keep cutting tools sharp and clean. Properly maintained cutting tools with sharp cutting edges are less likely to bind and are easier to control.
- Use the power tool, accessories and tool bits etc. in accordance with these instructions, taking into account the working conditions and the work to be performed. Use of the power tool for operations different from those intended could result in a hazardous situation.
- Keep handles and grasping surfaces dry, clean and free from oil and grease. Slippery handles and grasping surfaces do not allow for safe handling and control of the tool in unexpected situations.

BATTERY TOOL USE AND CARE

- Recharge only with the charger specified by the manufacturer. A charger that is suitable for one type of BATTERY pack may create a risk of fire when used with another BATTERY pack.
- Use power tool only with specifically designated BATTERY packs. Use of any other BATTERY packs may create a risk of injury and fire. When BATTERY pack is not in use, keep it away from other metal objects, like paper clip, coins, keys, nails, screws or other small metal objects, that can make a connection from one terminal to another. Shorting the BATTERY terminals together may cause burns or a fire.
- Under abusive conditions, liquid may be ejected from the BATTERY; avoid contact. If contact accidentally occurs, flush with water. If liquid contacts eyes, additionally seek medical help. Liquid ejected from the BATTERY may cause irritation or burns.
- Do not use a BATTERY pack or tool that is damaged or modified. Damaged or modified batteries may exhibit unpredictable behavior resulting in fire, EXPLOSION or risk of injury.
- Do not expose a BATTERY pack or tool to fire or excessive temperature. Exposure to fire or temperature above 265°F (130°C) may cause explosion.

- Follow all charging instructions and do not charge the BATTERY pack or tool outside the temperature range specified in the instructions. Charging improperly or at temperatures outside the specified range may damage the battery and increase the risk of fire.

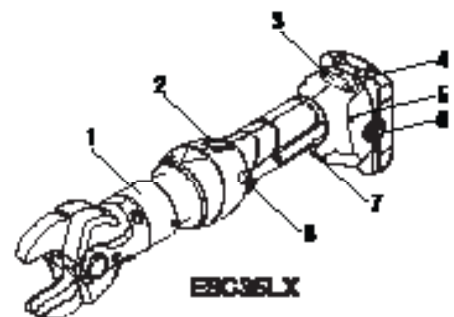
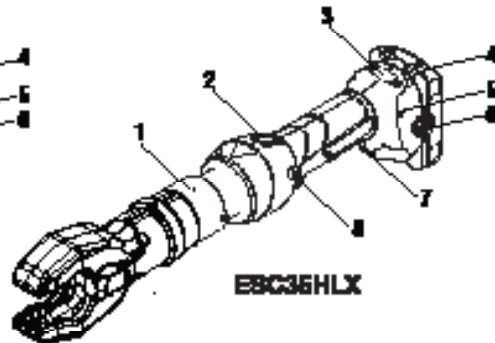
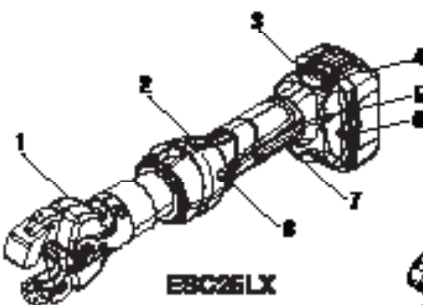
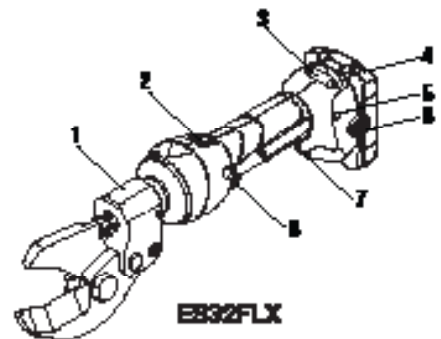
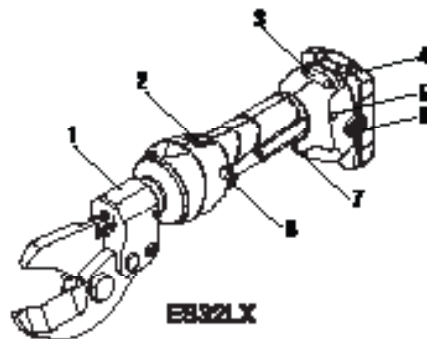
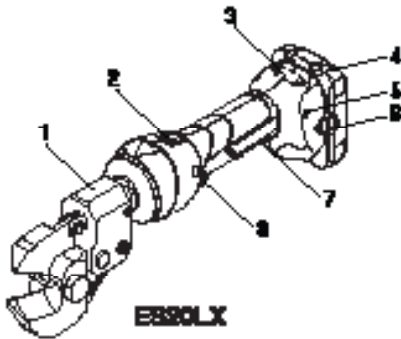
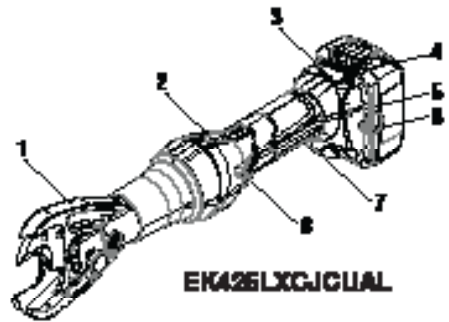
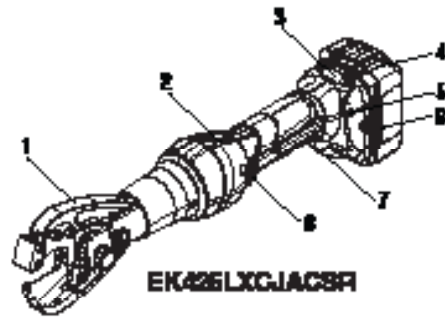
SERVICE

- Have your power tool serviced by a qualified repair person using only identical replacement parts. This will ensure that the safety of the power.

* The text used in the General Power Tool Safety Warnings section of this manual is required from the applicable EN 62841-1 standard to which this tool is tested. This section contains general safety practices for many different types of power tools. Not every precaution applies to every tool, and some may not apply to this tool.

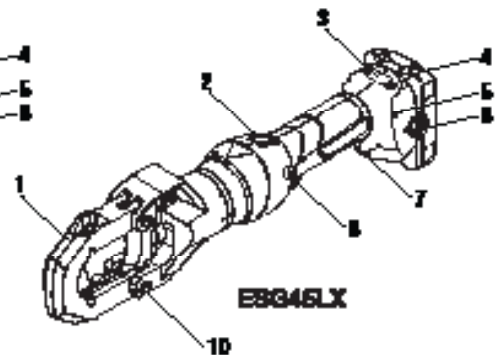
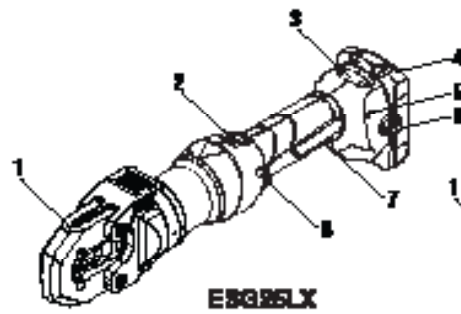
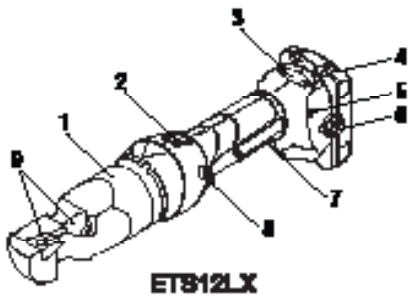
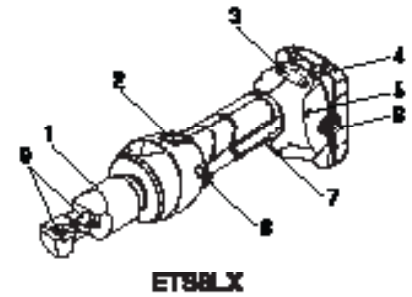
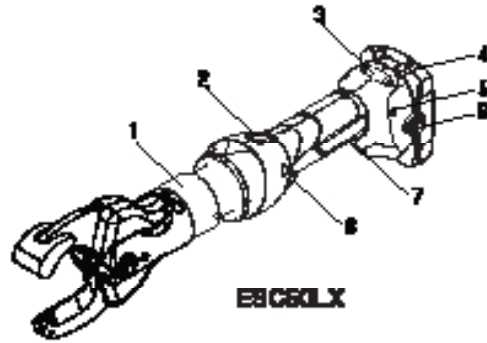
Identification

1. Cutting Head
2. Retract Button
3. LCD Screen
4. Battery Cartridge
5. LED Indicator (red)
6. Lanyard Ring
7. LED Work Light (white)
8. Trigger



Identification (cont'd)

1. Cutting Head
2. Retract Button
3. LCD Screen
4. Battery Cartridge
5. LED Indicator (red)
6. Lanyard Ring
7. LED Work Light (white)
8. Trigger
9. Cutting Blades (ETS8X and ETS12X)
10. Pull Pin (ESG45X)



Specifications

EK425LXCJACSR

Cutting Tool

Length (with battery).....	19.12" (486 mm)
Width	2.95" (75 mm)
Depth.....	4.92" (125 mm)
Weight.....	6.19 lb (2.81 kg)

Cutting Capacity

ACSR.....	Pelican 477 kcmil
Guy Strand (EHS)	5/16" dia.
Guy Strand (HS).....	3/8" (9 mm) dia.

EK425LXCJUAL

Cutting Tool

Length (with battery).....	18.87" (479 mm)
Width	2.95" (75 mm)
Depth.....	4.92" (125 mm)
Weight.....	6.11 lb (2.77 kg)

Cutting Capacity

Maximum Cable Cutting Diameter (copper and aluminum)	1.38" (35 mm)
--	---------------

ES20LX

Cutting Tool

Length (with battery).....	15.43" (392 mm)
Width	2.95" (75 mm)
Depth.....	4.92" (125 mm)
Weight.....	4.4 lb (2.0 kg)

Cutting Capacity

Maximum Cable Cutting Diameter (copper and aluminum)	3/4" (19 mm)
ACSR.....	Merlin ø11/16 (336 kcmil)
Guy Strand (not EHS)	3/8" (9 mm) dia.
Ground Rod	3/8" (9 mm) dia.
Rebar (Schedule 60)	3/8" (9 mm) dia.

ES32LX

Cutting Tool

Length (with battery).....	15.43" (392 mm)
Width	2.95" (75 mm)
Depth.....	4.92" (125 mm)
Weight.....	4.4 lb (2.0 kg)

Cutting Capacity

Maximum Cable Size with 2 Cutting Cycles	500 kcmil (MCM) (300 mm ²) (aluminum and copper)
Maximum Cable Size with 1 Cutting Cycle	400 kcmil (MCM) (240 mm ²) (aluminum and copper)

Specifications (cont'd)**ES32FLX**

Cutting Tool

Length (with battery).....	15.43" (392 mm)
Width	2.95" (75 mm)
Depth.....	4.92" (125 mm)
Weight.....	4.4 lb (2.0 kg)

Cutting Capacity

Fine Stranded Copper Cable only.....	ø1.25" (31.8 mm) max.
--------------------------------------	-----------------------

Not for cutting regular stranded cable or steel

ESC25LX

Cutting Tool

Length (with battery).....	18.49" (470 mm)
Width	2.95" (75 mm)
Depth.....	4.92" (125 mm)
Weight.....	5.69 lb (2.58 kg)

Cutting Capacity

Maximum Cable Cutting Diameter (copper and aluminum).....	1.00" (25 mm)
ACSR.....	Eagle (ø0.95") (557 kcmil)
Guy Strand	3/8" (9 mm) dia.

ESC35LX, ESC35HLX

Cutting Tool

Length (with battery).....	17.22" (438 mm)
Width	2.95" (75 mm)
Depth.....	4.92" (125 mm)
Weight.....	5.77 lb (2.62 kg)

Cutting Capacity

Maximum Cable Cutting Diameter (copper and aluminum, regular and fine).....	1.38" (35 mm)
--	---------------

Specifications (cont'd)

ESC50LX

Cutting Tool

Length.....	15.5" (394 mm)
Width	3.00" (76 mm)
Height.....	13.2" (336 mm)
Weight.....	9.9 lb (4.5 kg)

Cutting Capacity

Maximum Cable Cutting Diameter (copper and aluminum).....	2" (50 mm)
--	------------

ETS8LX

Cutting Tool

Length (with battery).....	12.44" (316 mm)
Width	2.95" (75 mm)
Depth.....	4.92" (125 mm)
Weight.....	3.5 lb (1.6 kg)

Cutting Capacity

Cable Tray (mild steel, zinc plated).....	1/16", 1/8", 3/16", 1/4", 5/16"
Cable Tray (stainless steel)	1/16", 1/8", 3/16", 1/4"
Threaded Rods	1/16", 1/8", 3/16", 1/4", 5/16"
Grade 2 Bolt	1/16", 1/8", 3/16", 1/4", 5/16"
Grade 8 Bolt	1/16", 1/8", 3/16"

Specifications (cont'd)

ETS12LX

Cutting Tool

Length (with battery).....	14.06" (357 mm)
Width	2.95" (75 mm)
Depth.....	4.92" (125 mm)
Weight.....	4.6 lb (2.1 kg)

Cutting Capacity

Common Bolt	1/2" dia.
Grade 5 Bolt	7/16" dia.
Grade 8 Bolt	5/16" dia.
Threaded Rod.....	1/2" dia.
One-Time Disposable Lock.....	4 AWG Alumoweld
Boa Lock	BL-9
Grade 40 Rebar	3/8" dia.
Steel Rod.....	3/8" dia. (1/2" dia. using two cycles)
Ground Rod.....	3/8" dia. (1/2" dia. using two cycles)
Copper and Aluminum Cable	2/0 AWG
ACSR.....	3/0 AWG Pigeon (4/0 AWG Penguin using two cuts)
Guy Strand	5/16" dia. (3/8" dia. using two cycles)
EHS Guy Strand	5/16" dia.
Aircraft Cable.....	1/4" dia.

Not recommended for fine stranded cables.

ESG25LX

Cutting Tool

Length (with battery).....	15.43" (392 mm)
Width	2.95" (75 mm)
Depth.....	4.92" (125 mm)
Weight.....	4.4 lb (2.0 kg)

Cutting Capacity

Maximum Cable Cutting Diameter (copper and aluminum)	1" (25 mm)
ACSR.....	Grosbeak 1" (636 kcmil)
Guy Strand (not EHS)	5/8" (16 mm) dia.
Ground Rod.....	3/8" (9 mm) dia.
Rebar (Schedule 60)	3/8" (9 mm) dia.
Wire Rope.....	1/2" (13 mm) dia.

Specifications (cont'd)

ESG45LX

Cutting Tool

Length.....	19.57" (497 mm)
Width	2.95" (75 mm)
Depth.....	4.94" (123 mm)
Weight.....	9.5 lb (4.3 kg)

Cutting Capacities

Maximum Cable Cutting Diameter (copper and aluminum).....	1.75" (45 mm)
ACSR.....	Falcon 54/19 (1590 kcmil)
Guy Strand	5/8" (16 mm) dia.
EHS Guy Strand	1/2" (13 mm) dia.
Ground Rod	5/8" (16 mm) dia.
Rebar (Schedule 60)	1/2" (13 mm) dia.
Wire Rope.....	5/8" (16 mm) dia.

All Models

Cutting Tool

Hydraulic Oil	52057878 biodegradable hydraulic fluid
Recommended Operating Temperature Range.....	5 °F to 122 °F (-15 °C to 50 °C)
Battery Charger	Read the instructions supplied with the battery charger
Battery Technology.....	MAKITA® LXT® Lithium ion BL1815, BL1820, BL1830, BL1840, BL1850

Operation

⚠ WARNING

- Inspect tool and blades before use. Replace any worn or damaged parts. A damaged or improperly assembled tool can break and strike nearby personnel.
- Carrying strap is for carrying only, not to be used to hang or suspend tool.

Failure to observe these warnings could result in severe injury or death.

⚠ WARNING



Electric shock hazard:
This tool is not insulated. When using this unit near energized electrical lines, use proper personal protective equipment.
Failure to observe this warning could result in severe injury or death.

⚠ WARNING



Wear eye protection when operating or servicing this tool.
Failure to wear eye protection could result in serious eye injury from flying debris or hydraulic oil.

⚠ WARNING



Cutting hazard:

- Remove battery before changing dies, adapters, or jaws.
- Keep hands away from the cutting head when cutting.

Failure to observe these warnings could result in severe injury or death.

⚠ CAUTION

- Do not operate the tool without cutting blades. Damage to the ram or cutting head can result.
- Do not twist work piece or tool during cutting operation. Blade failure could result.
- This tool is not designed for continuous use. After 100 cutting cycles, allow the cutting tool to cool for 15 minutes.
- Do not secure this tool in a vise. This tool is designed for hand-held operation.
- This tool may be used in damp or wet environments; however, air-drying is recommended before use if the tool becomes soaked. Damage may result when the tool is operated prior to thorough drying when electrical components are soaked.
- Use this tool for the manufacturer's intended purpose only.

Failure to observe these precautions may result in injury or property damage.

Charging the Battery

Read the instructions supplied with the battery charger.

LED Work Light (white)

This LED automatically turns on when the trigger is pulled. It remains on for 10 seconds after the trigger is released.

LED Indicator (red)

This tool is equipped with a special circuit board incorporating several important features to inform the user about the current status of the unit. The LED signals in the following cases:

What happens	Signal	What it means
Constant light for 20 seconds at end of cycle	■	Battery charge is below 17 V at beginning of cycle*
Tool will not start, and constant light for 20 seconds when trigger is released	■	Battery charge is below 16 V at beginning of cycle*
Tool will stop, and constant light for 20 seconds after trigger is released	■	Battery voltage drops below 13 V during cycle*
Tool will stop, and flashing light for 20 seconds when trigger is released	●●●●	Motor current exceeds 20 A during cycle Circuit has become too hot
Flashing light for 20 seconds at end of cycle	●●●●	Send tool in for service

* Running the battery below 16 V can damage the battery.

Operation (cont'd)

Important Features of All Models

- The hydraulic unit incorporates an automatic retraction, which returns the piston and movable blade to the starting position when the maximum cutting force is achieved.
- The unit is equipped with a special brake, which stops the forward motion of the piston when the trigger is released.
- The cutting heads have been designed to turn 350° around the longitudinal axis in order to gain the best access to tight corners and other difficult working areas.
- The cutting process can be interrupted at any moment by releasing the trigger. By actuating the retract slide, the piston and movable blade will return to the starting position.

Cutting Procedure—EK425LX

1. Insert the cable to be cut into the cutting head.
2. Pull the trigger to make the cut

Pressure Sensor

This tool is equipped with a pressure sensor that alerts the user when max force has not been reached.

- If the tool is manually retracted before completion of a cut the red LED and an audible beep will be active for 2 seconds.
- If the tool is unable to reach the factory preset force, the red LED, work light, and an audible beep will pulse until after the trigger is released.

Cutting Procedure—

ES20LX, ES32LX, ES32FLX, ESC25LX, ESC35LX, ESC50LX, and ESC35HLX

1. Insert the cable to be cut into the cutting head.
2. Pull the trigger to make the cut.
3. Hold the trigger down until the cutting tool achieves pressure relief, which is accompanied by an audible “pop”.
4. The cutting tool returns automatically.

Note (ES32LX only): For some cables more than one cutting cycle may be required to complete the cut. If the cable is not fully cut during the first cycle, move the cable as close to the jaw pivot as possible and cycle the tool again.

Cutting Procedure—ETS8LX and ETS12LX

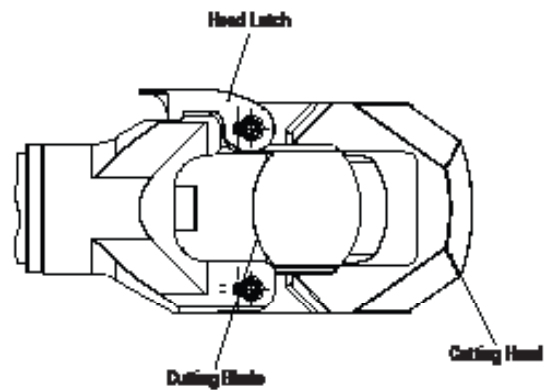
1. Check cutting head to ensure the piston and movable blade are fully retracted. If necessary, pull the retract slide in the direction of the arrow.
2. After positioning the wire/bolt between the open cutting blades, actuate the trigger to start the cutting cycle.

Note: Do not twist work piece or tool during cutting operation. Blade failure could result.

Operation (cont'd)**Cutting Procedure— ESG25LX, ESG45LX**

1. Lift the head latch to open the cutter.
2. Place the material to be cut between the jaws.
3. Close the head latch completely.
4. Align the material at a 90° angle to the blades.
5. Pull the trigger to make the cut.
6. Hold the trigger down until the cutting tool achieves pressure relief, which is accompanied by an audible “pop”.
7. The cutting tool returns automatically.

Note: If it is necessary to retract the ram before a cutting cycle is completed, push the retract button. Pushing the retract button will result in the complete retraction of the ram



LCD Screen


This tool has an LCD screen, which displays information about the tool. Turn on the screen by inserting the battery and jogging the tool. If there are any problems with the tool, an error code appears.


Error Code	Meaning
1	Overcurrent fuse
2	Overcurrent comparator
3	Overheated circuit board
4	Overheated battery
5	Battery empty; operation stops
6	Faulty cut; complete cycle
7	Faulty cut; incomplete cycle
8	Low battery
9	Battery empty; tool won't run
10	Real-time clock battery low
11	Tool deactivated
12	Service necessary
13	Real-time clock not found
14	Bluetooth® unit not found
15	
16	Pressure sensor not found
17	Burst pressure exceeded
18	Battery temperature too low


If there is no error code, cycle through the various displays using the left and right buttons on either side of the screen. There are seven displays in total.


Display	Information Shown
1	Bluetooth® status, battery charge, current pressure, max. pressure
2	Firmware, available firmware update, serial number
3	Current user. Press and hold both buttons to change user, select with right button, and confirm by jogging the tool.
4	
5	
6	Cycles until next service
7	Since manufacturing: operating hours, capacity, number of cycles

Maintenance

	⚠ WARNING
	<p>Wear eye protection when operating or servicing this tool.</p> <p>Failure to wear eye protection could result in serious eye injury from flying debris or hydraulic oil.</p>

	⚠ WARNING
	<p>Skin injection hazard:</p> <p>Do not use hands to check for oil leaks. Oil under pressure easily punctures skin. If injured, seek medical attention immediately to remove oil.</p> <p>Failure to observe this warning could result in serious injury, gangrene, or death.</p>

	⚠ WARNING
	<p>Do not use solvents or flammable liquids to clean the tool body. Solvents or flammable liquids could ignite and cause serious injury or property damage.</p>

	⚠ WARNING
	<p>Cutting hazard:</p> <ul style="list-style-type: none"> • Remove battery before changing dies, adapters, or jaws. • Keep hands away from the cutting head when cutting. <p>Failure to observe these warnings could result in severe injury or death.</p>

IMPORTANT
Relief valve adjustments must be done by an authorized service center.

Daily

Before use:

1. Inspect the tool for wear or damage, such as cracks, gouges, or chips.
2. Inspect the tool for damage or leaks.
3. Inspect the rotation of the head assembly. Fully retract the ram. The head should rotate no more than 360°. If damage is detected, contact Greenlee customer service at 800-435-0786 for warranty service or repair.

After use:

1. Use a damp cloth and mild detergent to clean the housing. Allow the housing to dry.
2. Fully retract the ram. Place the tool in the carrying case and store in a cool, dry place.
3. If necessary, recharge the batteries. Refer to the instructions supplied with the battery charger.

Monthly

Thoroughly clean all surfaces.

Annually or After 10,000 Cuts

Contact Greenlee customer service at 800-435-0786 for warranty service or repair, and hydraulic oil replacement.

Troubleshooting

Before You Begin

1. Make sure that the battery is charged. Recheck the battery after several minutes to make sure the battery is holding its charge.
2. Use a **nonflammable** contact cleaner or pencil eraser to clean the electrical contacts on the battery and tool.
3. Reinstall the battery and check the tool again.

Problem	Possible Cause	Probable Remedy
Tool is inoperative.	Dirt, contaminants, etc., in ram area of tool.	Clean tool.
	Tool components worn or damaged.	Contact Greenlee customer service at 800-435-0786 for warranty service or repair.
Motor is inoperative.	Low or uncharged battery.	Try known charged battery. Inoperative battery may be discharged or may have reached life expectancy.
	Broken switch components.	Contact Greenlee customer service at 800-435-0786 for warranty service or repair.
Motor runs but tool will not complete a cycle.	Oil level low.	Contact Greenlee customer service at 800-435-0786 for warranty service or repair.
	Air in hydraulic system.	Pull trigger and hold retract button simultaneously. Run for approximately 10 seconds, and then attempt to cut. If unsuccessful, contact Greenlee customer service at 800-435-0786 for warranty service or repair.
	Cold oil.	Pull trigger and hold retract button simultaneously to warm oil. Store tool in warm area.
LED glows for 20 seconds.	Battery charge low.	Charge or replace battery.
Tool loses oil.	Damaged seal.	Contact Greenlee customer service at 800-435-0786 for warranty service or repair.



4455 Durley Drive • Rockford, IL 61109-2908 • USA • 815-397-7070
©2021 Greenlee Tools, Inc. • An BUCHHEIM Company
www.greenlee.com

USA Tel: 800-435-0708
Fax: 800-467-2832

Canada Tel: 888-435-8708
Fax: 888-624-2068

International Tel: +1-815-397-7070
Fax: +1-815-397-8247