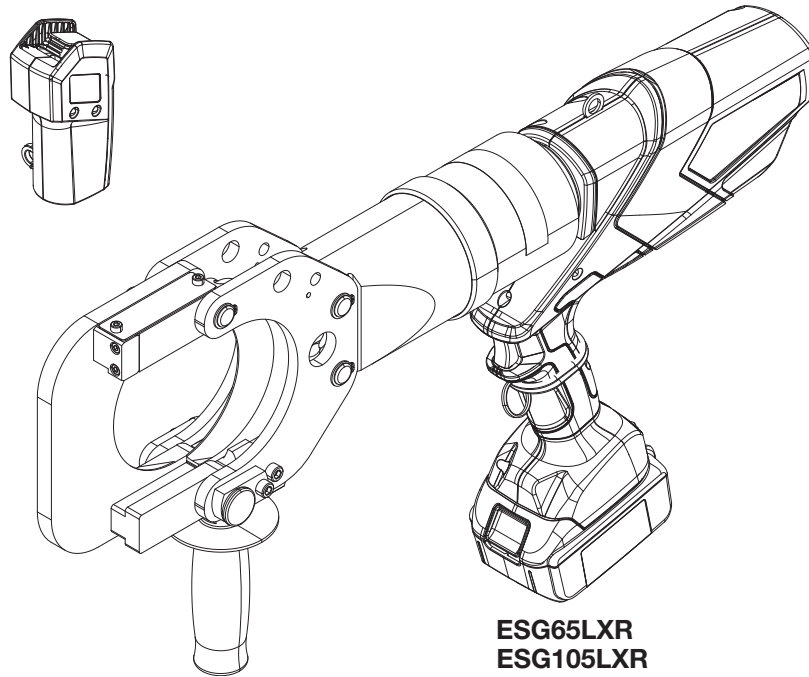


INSTRUCTION MANUAL



Record serial number here

(See OLED screen instr.)



E114954



REG F931

ESG65LXR
ESG105LXR

Remote Cable Cutter with End-Position Blade and Wireless Remote



Read and understand all of the instructions and safety information in this manual before operating or servicing this tool.

KEEP THIS MANUAL

Table of Contents

Cover Page.....	1
Table of Contents.....	2
Safety Symbols Key.....	3
General Power Tool Safety	4-5
Tool Specific Safety Information	6
Greenlee Contact Information	6
Tool Description.....	7
Important Features.....	7
Specifications.....	7
Tool Identification.....	8
Remote Identification	9
Decals & Locations.....	10
OLED Screen.....	11
Bluetooth/I-Press App	11
Training & Qualifications.....	12
Pre-Operation Inspection	12
Work Area & Tool Set-Up	12
Tool Operation.....	13
Cutting Profile Selection.....	13
Handheld Profile.....	13
Remote Operation.....	14
Maintenance.....	15
Storage.....	15
Service.....	15
Troubleshooting.....	16
Disposal	17
Statements & Warranty.....	17

KEEP THIS MANUAL

Safety Symbols Key

In this operator's manual and on the product, safety symbols and signal words are used to communicate important safety information. This section is provided to improve understanding of these signal words and symbols.



This is the safety alert symbol. It is used to alert you to potential personal injury hazards. Obey all safety messages that follow this symbol to avoid possible injury or death.

⚠ DANGER

indicates a hazardous situation which, if not avoided, WILL result in death or serious injury.

⚠ WARNING

indicates a hazardous situation which, if not avoided, COULD result in death or serious injury.

⚠ CAUTION

indicates hazards or unsafe practices which, if not avoided, MAY result in injury or property damage.



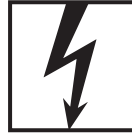
This symbol means read the operator's manual carefully before using the equipment. The operator's manual contains important information on the safe and proper operation of the equipment.



This symbol means always wear safety glasses with side shields or goggles when handling or using this equipment to reduce the risk of eye injury.



Always wear gloves when using this equipment to reduce the risk of injury.



This symbol indicates the risk of electrical shock.



This symbol indicates the risk of arc flash.



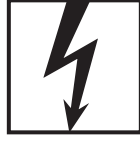
This symbol indicates the risk of hands, fingers or other body parts being cut or severed.



This symbol indicates the risk of striking injuries.



This symbol indicates the risk of striking injuries from whipping rope, cable or hoses.

General Power Tool Safety***⚠ WARNING**

Read all safety warnings, instructions, illustrations and specifications provided with this power tool. Failure to follow all instructions listed below may result in electric shock, fire and/or serious injury.

SAVE ALL WARNINGS AND INSTRUCTIONS FOR FUTURE REFERENCE.

The term “power tool” in the warnings refers to your mains-operated (corded) power tool or battery operated (cordless) power tool.

WORK AREA SAFETY

- **Keep your work area clean and well lit.** Cluttered or dark areas invite accidents.
- **Do not operate power tools in explosive atmospheres, such as in the presence of flammable liquids, gases or dust.** Power tools create sparks which may ignite the dust or fumes.
- **Keep children and bystanders away while operating a power tool.** Distractions can cause you to lose control.

ELECTRICAL SAFETY

- **Power tool plugs must match the outlet. Never modify the plug in any way.** Do not use any adapter plugs with earthed (grounded) power tools. Unmodified plugs and matching outlets will reduce risk of electric shock.
- **Avoid body contact with earthed or grounded surfaces, such as pipes, radiators, ranges and refrigerators.** There is an increased risk of electric shock if your body is earthed or grounded.
- **Do not expose power tools to rain or wet conditions.** Water entering a power tool will increase the risk of electric shock.
- **Do not abuse the cord. Never use the cord for carrying, pulling or unplugging the power tool.** Keep cord away from heat, oil, sharp edges or moving parts. Damaged or entangled cords increase the risk of electric shock.
- **When operating a power tool outdoors, use an extension cord suitable for outdoor use.** Use of a cord suitable for outdoor use reduces the risk of electric shock.
- **If operating a power tool in a damp location is unavoidable, use a RESIDUAL CURRENT DEVICE (RCD) protected supply.** Use of an RCD reduces the risk of electric shock.

PERSONAL SAFETY

- **Stay alert, watch what you are doing and use common sense when operating a power tool.** Do not use a power tool while you are tired or under the influence of drugs, alcohol or medication. A moment of inattention while operating power tools may result in serious personal injury.
- **Use personal protective equipment (PPE). Always wear eye protection.** Protective equipment such as dust mask, non-skid safety shoes, hard hat, or hearing protection used for appropriate conditions will reduce personal injuries.
- **Prevent unintentional starting.** Ensure the switch is in the off-position before connecting to power source and/or BATTERY pack, picking up or carrying the tool. Carrying power tools with your finger on the switch or energizing power tools that have the switch on invites accidents.
- **Remove any adjusting key or wrench before turning the power tool on.** A wrench or a key left attached to a rotating part of the power tool may result in personal injury.
- **Do not overreach.** Keep proper footing and balance at all times. This enables better control of the power tool in unexpected situations.
- **Dress properly.** Do not wear loose clothing or jewelry. Keep your hair, clothing and gloves away from moving parts. Loose clothes, jewelry or long hair can be caught in moving parts.
- **If devices are provided for the connection of dust extraction and collection facilities, ensure these are connected and properly used.** Use of dust collection can reduce dust-related hazards.
- **Do not let familiarity gained from frequent use of tools allow you to become complacent and ignore tool safety principles.** A careless action can cause severe injury within a fraction of a second.

POWER TOOL USE AND CARE

- **Do not force the power tool.** Use the correct power tool for your application. The correct power tool will do the job better and safer at the rate for which it was designed.
- **Do not use the power tool if the switch does not turn it on and off.** Any power tool that cannot be controlled with the switch is dangerous and must be repaired.
- **Disconnect the plug from the power source and/or remove the BATTERY pack, if detachable, from the power tool before making any adjustments, changing accessories, or storing power tools.** Such preventive safety measures reduce the risk of starting the power tool accidentally.

- **Store idle power tools out of the reach of children and do not allow persons unfamiliar with the power tool or these instructions to operate the power tool.**
- **Power tools are dangerous in the hands of untrained users.**
- **Maintain power tools and accessories.** Check for misalignment or binding of moving parts, breakage of parts and any other condition that may affect the power tool's operation.
- **If damaged, have the power tool repaired before use.** Many accidents are caused by poorly maintained power tools.
- **Keep cutting tools sharp and clean.** Properly maintained cutting tools with sharp cutting edges are less likely to bind and are easier to control.
- **Use the power tool, accessories and tool bits etc. in accordance with these instructions, taking into account the working conditions and the work to be performed.** Use of the power tool for operations different from those intended could result in a hazardous situation.
- **Keep handles and grasping surfaces dry, clean and free from oil and grease.** Slippery handles and grasping surfaces do not allow for safe handling and control of the tool in unexpected situations.

BATTERY TOOL USE AND CARE

- **Recharge only with the charger specified by the manufacturer.** A charger that is suitable for one type of BATTERY pack may create a risk of fire when used with another BATTERY pack.
- **Use power tool only with specifically designated BATTERY packs.** Use of any other BATTERY packs may create a risk of injury and fire. When BATTERY pack is not in use, keep it away from other metal objects, like paper clip, coins, keys, nails, screws or other small metal objects, that can make a connection from one terminal to another. Shorting the BATTERY terminals together may cause burns or a fire.
- **Under abusive conditions, liquid may be ejected from the BATTERY; avoid contact.** If contact accidentally occurs, flush with water. If liquid contacts eyes, additionally seek medical help. Liquid ejected from the BATTERY may cause irritation or burns.
- **Do not use a BATTERY pack or tool that is damaged or modified.** Damaged or modified batteries may exhibit unpredictable behavior resulting in fire, EXPLOSION or risk of injury.
- **Do not expose a BATTERY pack or tool to fire or excessive temperature.** Exposure to fire or temperature above 265°F (130°C) may cause explosion.

- **Follow all charging instructions and do not charge the BATTERY pack or tool outside the temperature range specified in the instructions.** Charging improperly or at temperatures outside the specified range may damage the battery and increase the risk of fire.

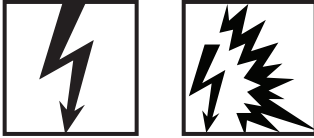
SERVICE

- **Have your power tool serviced by a qualified repair person using only identical replacement parts.** This will ensure that the safety of the power tools is maintained.
- **Never service damaged battery packs.** Service of battery packs should only be performed by manufacturer or authorized service providers.

** The text used in the General Power Tool Safety Warnings section of this manual is required from the applicable EN 62841-1 standard to which this tool is tested. This section contains general safety practices for many different types of power tools. Not every precaution applies to every tool, and some may not apply to this tool.*

Tool Specific Safety Information

⚠ WARNING



Before operating this tool, read and understand:

- This operation manual
- The instructions for any other equipment or material used with this tool
- Markings on the tool
- Required work-site safety procedures

Use the correct tool and accessories for your application. The correct tool will do the job better and safer at the rate for which it was designed. Use of the tool for operations different from those intended can result in a hazardous situation.

Failure to follow all instructions and warnings may result in serious injury or death.

- **Follow all appropriate and required work procedures and wear all required PPE when on jobsite working near energized electrical lines.** This tool is not insulated.
- **Do not use this tool if you are not trained and familiar with appropriate jobsite and PPE requirements.**
- **Do not use on live electrical lines.** This reduces the risk of electrical shock and arc flash.
- **Always ground the tool before cutting cable that could be energized.** This reduces the risk of electrical shock and arc flash.
- **Do not use lifting rings and harness to transport or lift tool.** Harness is used to only suspend tool during cutting. Prolonged suspension from the harness increases the risk of the harness breaking and causing striking injuries.
- **During remote usage of this tool, remain outside of the arc flash boundary in accordance with NFPA 70E for the conductor being cut to reduce the risk of severe injury.**
- **Do not cut cable under tension.** Cable can whip and strike when cut and result in severe injury or death.
- **Large forces are generated during use that can break or throw parts and cause injury.** Keep all unnecessary personnel away from work area and wear appropriate PPE.
- **Do not modify tool.** Modifying the tool in any manner may result in personal injury and voidance

of the tool's warranty. A head that has been welded, ground, drilled or modified in any manner can break during use. To reduce risk of injury, replace the whole damaged head never individual components. Discard damaged heads using proper disposal methods.

- **Keep your fingers and hands away from the tool head during the operating cycle.** Your fingers or hands can be crushed, fractured or amputated if they become caught in the tool head or between the tool head and other objects.
- **Remove battery before interacting with the cutting head.**
- **One person must control work process and machine operation.** Only the operator should be in the area when the tool is running.

Greenlee Contact Information

If you have any questions, need to arrange service or purchase parts or accessories for this Greenlee product: Contact your local Greenlee distributor or Greenlee's Customer Service Center.

Additional copies of this manual are available for download at www.greenlee.com

Greenlee Customer Service

USA: 1-800-435-0786 | Canada: 800-435-0786

International: 1-815-397-7070

GRNCustomerService@emerson.com

Shipping address:

Greenlee Factory Service Center

4411 Boeing Dr., Rockford, IL 61109

Tool Description

The Remote Cable Cutter with End-Position Blade and Wireless Remote is designed to allow cutting in two profiles, handheld and remote. It is intended to cut the following:

- ESG105LXR: Multi-Phase Cable up to 4.13 in. (10.5 cm) in diameter.
- ESG65LXR: Multi-Phase Cable up to 2.55" (65 mm) in diameter.

These tools are intended to cut most low- and medium-voltage stranded copper and aluminum cable as well as lead or soft steel armored cable found on job sites.

These tools are not intended for use on EHS guy wire, Steel Rod, Steel Cable or ACSR cable

These tools are protected by U.S. Patent No. 6,206,663, 6,276,186, 6,401,515, and 6,718,870. Patent pending.

Important Features

- Two usage profiles, traditional Handheld and Remote
 - Remote operation allows the operator to be physically separated from the cutting tool when making a cut. This feature is useful for keeping the operator out of arc flash range when cutting a cable where it is uncertain the line is de-energized.
 - The remote is equipped with a light and sound signal to inform the user when the blade is moving and when the cut has been completed.
- Bluetooth® connectivity to the Greenlee I-Press App
- OLED screen for a clear readout of tool information.
- An electric brake that stops the forward motion of the blade when the remote trigger is released.
- A retract button controlling a Mag-Lock Release Solenoid to retract the blade at any time in remote mode.
- The tool incorporates an automatic retraction that returns the blade to the starting position when the cut is finished in handheld mode.

- The cutting head has been designed to rotate 180° around the longitudinal axis in order to gain the best access to tight corners and other difficult working areas.

Specifications

Cable Materials: Multi-phase cable copper, aluminum, lead armored, and soft steel armored cable.

These tools are not intended for use in marine applications.

These tools are not intended for use on EHS guy wire, steel rod, steel cable or ACSR.

Operating Temperature Range:4 °F to 104 °F
(-20 °C to 40 °C)

Tool Battery: 18 V MAKITA® LXT® Lithium ion

Remote Battery: AA (LR03)

ESG105LXR Cutting Tool

Length:24.4 in. (620 mm)

Width:3 in. (76 mm)

Height (With battery):14.6 in. (371 mm)

Weight (With battery):22.3 lb (10.1 kg)

Max. Cable Cutting Diameter:4.13 in.(105 mm)

ESG65LXR Cutting Tool

Length:19 in. (483 mm)

Width:3 in. (7.6 mm)

Height (with battery) :12.5 in. (318 mm)

Weight (with battery) :13.5 lb (6.2 kg)

Max. Cable Cutting Diameter:2.55 in. (65 mm)

All specifications are nominal and may change as design improvements occur.

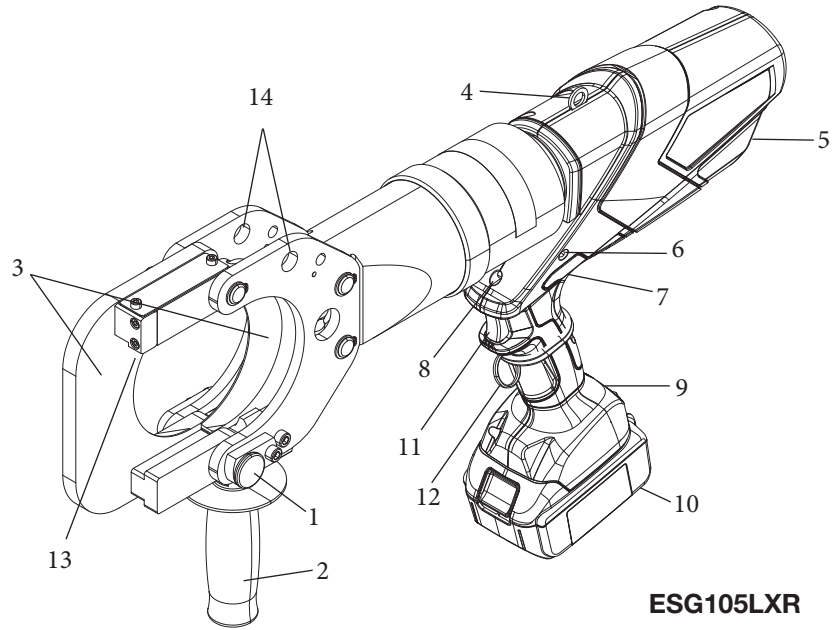
All specifications are nominal and may change as design improvements occur. Greenlee Tools, Inc. shall not be liable for damages resulting from misapplication or misuse of its products.

GATOR is a registered trademark of Greenlee Tools, Inc.

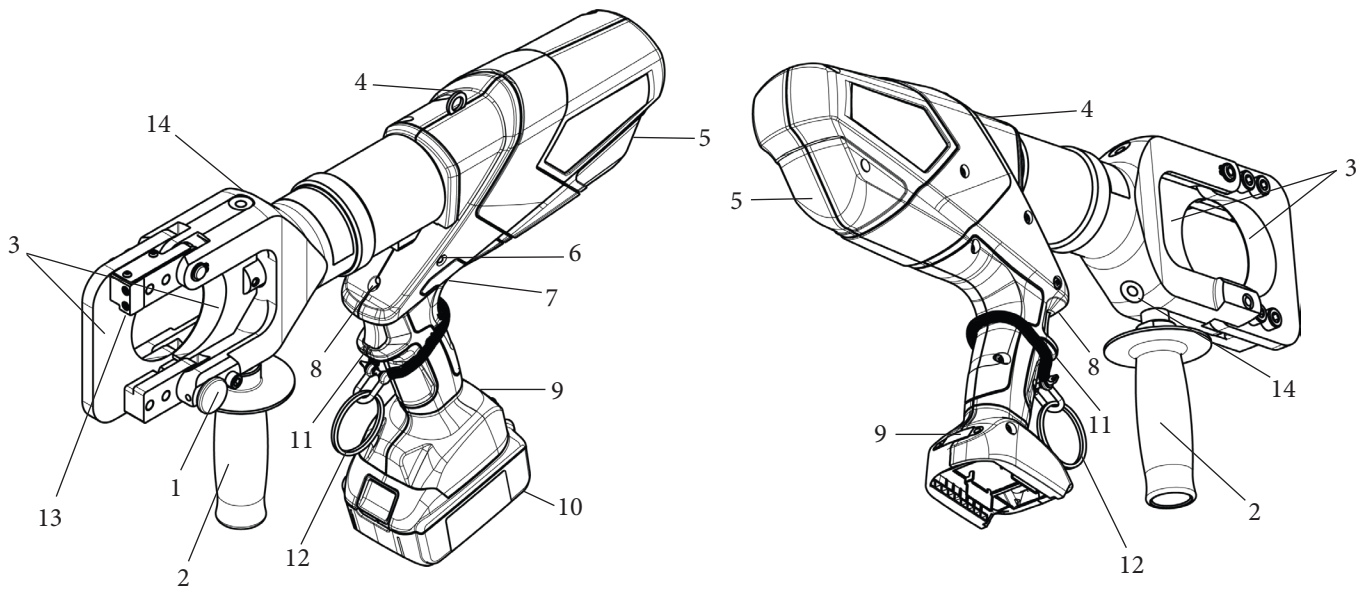
Bluetooth is a registered trademark of Bluetooth SIG, Inc.

Tool Identification

1. Pull Pin
2. Handle (removable)
3. Blades
4. Lifting Tie Offs
5. Housing
6. Tool Indicator LED (red)
7. Retract Button
8. Working Tool LED (white)
9. OLED Screen
10. Battery
11. Trigger
12. Trigger Lockout
13. Blade Position Sensor
14. Ground Points



ESG105LXR

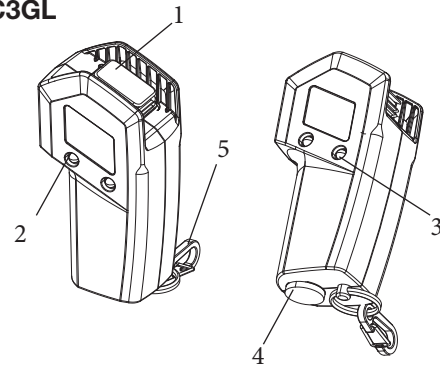


ESG65LXR

Remote Identification

1. Remote Operation Toggle Switch
2. Blade Movement LED (green)
3. Bluetooth Connectivity LED (blue)
4. Battery Port Cover
5. Carrying Strap Clip

BTC3GL



Tool Indicator LED Table

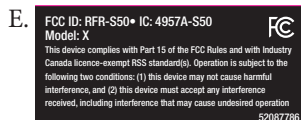
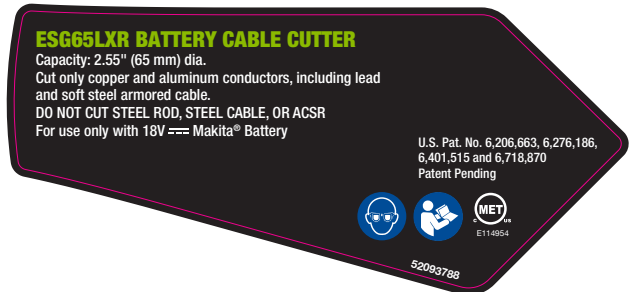
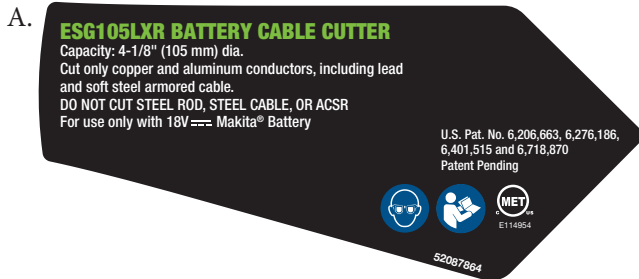
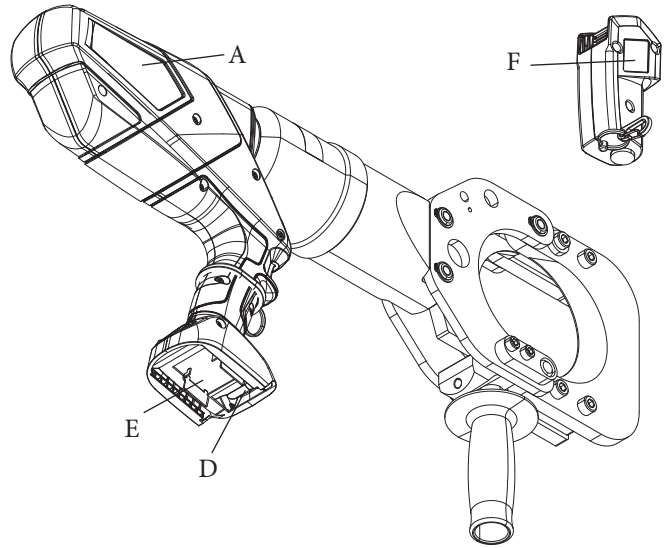
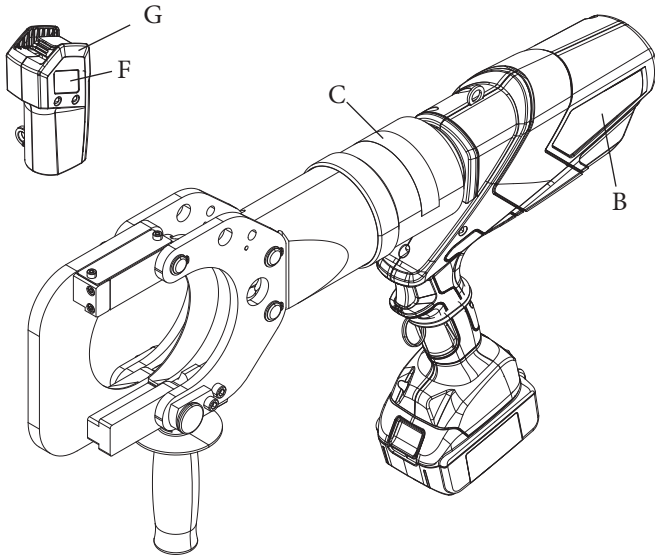
What happens	Signal Red	What it means	What to do
Tool will not start, and constant light for 20 seconds when trigger is released	■	Battery charge low	Change or charge battery
Tool will stop, and constant light for 20 seconds after trigger is released	■		
Tool will stop, and flashing light for 20 seconds when trigger is released	●●●●	Motor current exceeds 20 A during cycle Circuit has become too hot	Let tool cool
Flashing light for 20 seconds at end of cycle	●●●●	Something is wrong	Send tool in for service

Remote LED Signals Table

What happens	Signal		What it means
	Green	Blue	
Blue light flashes. Green remains off.		⚡	Searching for Bluetooth signal from tool.
Blue light solid. Green remains off.		■	Bluetooth signal found and paired.
Green light blinks and blue light is solid.	⚡	■	Tool blade is moving.
Green and blue lights both blink.	⚡	⚡	Battery power is low.
Green and blue lights are both solid. A sound is heard from remote.	■	■	Cut is complete and blade has retracted.

Decals & Locations

- A. Model Information (ESG65LXR/52093788, ESG105LXR/52087864)
- B. Brand and MFG Identification (52079313)
- C. Cutting Hazard (52024564)
- D. MFG Address Decal (52087869)
- E. FCC Certification (52087786)
- F. Remote Information (52087866)
- G. Remote ID Etching



OLED Screen



This tool has an OLED screen that displays information about the tool.

Turn on the screen by inserting the battery and clicking the trigger.

In the handheld profile, cycle through the various displays using the left and right buttons on either side of the screen. (see Figure 1) The screens will not cycle if the remote is paired with the tool.

The screen will also display error codes in the event of abnormal operation. See Troubleshooting section error code table.

Figure 1 - OLED Operation Screens

Display	OLED Screen	Information Shown
0	 GREENLEE.	
1	P  P PSI PSI	Bluetooth* status, battery charge, current pressure, max. pressure. Press and hold both buttons to change units, select with right button, and confirm by jogging the tool.
2	FW: INFO 2.0 123456AB001	Firmware version, serial number
3	CURRENT USER : 1	Profile Mode Select screen to choose between Remote and Handheld profile operations
4	# ODS # DAYS	Cycles and days until next service.
5	TOTAL: T= 0.0h Q= 0.0Ah n= 0	Elapsed operating hours (T), Ah used (Q), and number of cycles (n) since date of manufacture.

Bluetooth/i-Press App

This tool has Bluetooth capability that allows it to communicate with the Greenlee i-press App on your smart device.

1. Install the “i-press Klauke Software Solutions” app from the App Store or Google Play. Open the app on your smart device and select the “Greenlee” option.
2. Switch on the Bluetooth function on your smart device and activate the tool to establish a connection.
3. The app will allow you to create projects, personalize your tool, display tool pressure readings, battery charge, the last service date, and more.

Instructions how to use the app are shown in the i-press app itself; alternately, request MA6864 brochure from any Greenlee distributor.

If the tool is paired with the remote it will not connect with the app.



i-Press is a registered trademark of Gustav Klauke GmbH

App Store is a registered trademark of Apple Inc.

Google Play is a registered trademark of GOOGLE INC.

Training & Qualifications

This product is designed for use by professionals trained for working on and around high voltage electrical equipment. If you are not trained in the work methods required for safe operation, do not use this product.

It is recommended at least a second trained and qualified person is present at appropriate distance to respond if needed.

Follow all training and proper jobsite safety precautions outlined by your industry, government and employer. Make certain all other safety considerations have been identified, implemented and are in place prior to using this equipment.

Pre-Operation Inspection

⚠ WARNING

- **Before use, inspect your electrical tool and correct any problems to reduce the risk of serious injury from electric shock, crushing injures, equipment failure and other causes, and to prevent tool damage.**
- **If during inspection damage to tool is observed or suspected or if hydraulic oil has leaked from the tool, do not use the tool.** Tool safety could be compromised. Return tool immediately to Greenlee Factory Service Center for service or replacement.

Remove battery from tool.

Clean any oil, grease or dirt from the tool body and head, including handles and controls. A clean tool aids inspection and helps prevent the tool from slipping from your grip.

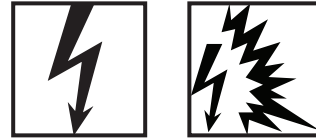
Always inspect the tool and remote before each use for issues:

- Look for wear or damage, such as cracks, gouges, or chips to housing.
- Look for leaking hydraulic oil.
- Inspect the rotation of the head assembly. Fully retract the ram. The head should be free to rotate 350°.
- Check the blades for any chips or significant wear. Replace blades that are dull or chipped before operating for a clean cut.
- Be sure the tool is clean, dry and free of contaminants.

If any issues are found, do not use the tool until corrected.

Work Area & Tool Set-Up





⚠ WARNING



- **Set up the tool and work area according to these procedures to reduce the risk of injury from electric shock, arc flash and reduce the risk of tool damage.**

1. Always ground the tool before cutting cable that could be energized. This reduces the risk of electrical shock and arc flash.
2. Always wear appropriate PPE to reduce the risk of injury.
3. Confirm work area safety (Inspect the jobsite in accordance with OSHA and Employer work specification requirements and see General Power Tool Safety Warnings). Operate in a clear, level, stable and dry location.
4. Confirm the circuit is de-energized. To the extent a live circuit can be de-energized, always de-energize the circuit before beginning work. Follow all workplace procedures for control of hazardous energy to prevent unintended energization while working. Always handle the line as though it is energized, even if it has been de-energized. Cutting live cables can result in arc flash or electrocution and death.
5. Inspect cable to confirm that the cable can be cut by this tool, cutting the wrong type of cable can damage the tool or cause personal injury. (See, tool Specifications).
6. Make sure the work site is easily recognizable to outside observers to prevent people from coming into the area while the tool is being used. Barriers or cones around work site are some of the ways to do this.
7. Make sure all equipment has been properly inspected.
8. If working remotely, identify an appropriate area for operation within range of the remote and outside of the NFPA ARC Flash distance to prevent injury from possible arc flash or whipping cables.
The Bluetooth signal can pass through most wall materials if the operator is located behind a barrier or around a corner while operating tool. (Figure 4)
9. Attach a grounding cable by screwing the bolt to one of the grounding points located on the cutting head and attaching the other end to ground. This will reduce the risk of electric shock and tool damage if the cable is energized.

Tool Operation

⚠ WARNING			
			
<ul style="list-style-type: none"> • Operate the tool according to these procedures to reduce the risk of injury from electric shock, arc flash and other causes and reduce the risk of tool damage. • Always wear appropriate PPE to reduce the risk of injury. • Do not use on energized electrical lines. • During remote usage of this tool, remain outside of the arc flash boundary in accordance with NFPA 70E for the conductor being cut. • Keep your fingers and hands away from the tool head during the operating cycle. Your fingers or hands can be crushed, fractured or amputated if they become caught in the tool head or between the tool head and other objects. 			

Before operation confirm all equipment has been properly inspected and the work area and tool are properly set-up.

Cutting Profile Selection

Remote Cable Cutter with End-Position Blade and Wireless Remote is designed to allow cutting in two profiles, handheld and remote. Remote operation allows the operator to be physically separated from the cutting tool when making a cut. This is useful when the line being cut is believed to be de-energized but cannot be fully confirmed. Always handle the line as though it is energized, even if it has been de-energized.

1. If necessary, remove trigger lockout from trigger.
2. Insert battery and click trigger to turn tool on.
3. Support tool with both hands to look at the OLED screen on the tool. Press the buttons to the sides of the screen to scroll to Current User Screen.
4. Press and hold both buttons to view User Select Screen. Cycle through screens using the right button to scroll to the desired profile; Double-Click or Remote.
5. Click trigger to activate selected profile. Note: The Remote profile requires additional steps before tool is ready to use, see Remote Profile.

Handheld Profile

Before use, confirm lines to be cut are de-energized

1. Stay clear of moving parts, test operation of the tool by double clicking and holding the trigger to see if the blade will advance. The blade will not advance when holding the trigger if it is in the Remote profile without input from the remote. The trigger activates a white LED light that will remain on during operation and for 10 seconds after trigger is released.
2. If needed, press and hold the retract button to return the blade to start position. At the end of a full cutting cycle the blade will automatically retract to the start position.
3. Open head by pulling the Pull Pin out.
4. Position the tool so the cable is in the open cutting head.
5. Close Cutting Head and fully insert Pull Pin. Partial Pin insertion can cause a bad cut.
6. Hold tool steady with both hands and maintain a stable stance. Keep the tool at a 90-degree angle to the cable (Fig. 3). to ensure a straight cut. Do not twist work piece or tool during cutting operation, blade failure could result.
7. Double click and hold trigger until the cut is complete. The cutting process can be interrupted at any time by releasing the trigger and the blade can be retracted with the retract button on the tool.
8. Remove the battery before setting up for another cut or placing tool in storage

Note: Tool will automatically shut off when idle for 15 min. This will be indicated by countdown on the LCD screen. Pressing the trigger or any buttons on the OLED screen will reset the countdown.

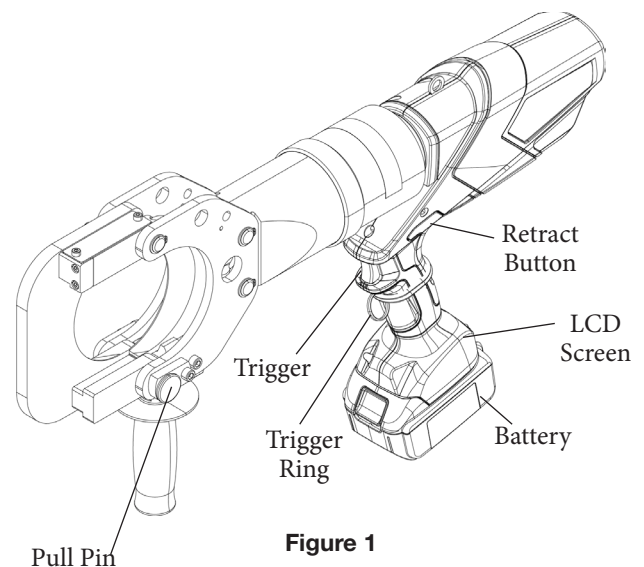


Figure 1

Operation

1. After selecting the Remote profile, secure the tool trigger in depressed position by moving the trigger ring over it.
2. Click the toggle switch on the remote, the blue LED will start blinking.
3. When the ID of the remote appears on the screen, confirm “Yes” by pressing the button on the tool next to it. The ID of the remote is found above the remote’s signal decal.
4. When prompted by the tool screen, complete remote pairing by clicking the toggle switch, the blue LED on the remote will turn solid once a connection is made.
5. Double click Extend on toggle switch to activate remote operation. (Fig. 2)

BTC3GL

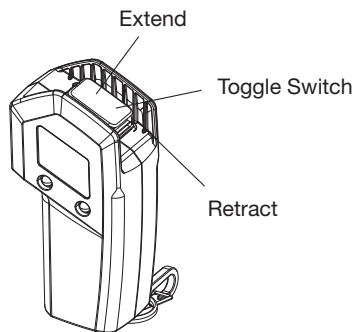


Figure 2

6. Test the tool by double clicking the remote again and holding Extend on the toggle switch to advance the blade to test the wireless connection to the tool. The green LED on the remote will start blinking and stay blinking while the tool blade is moving.
7. Single click and hold Retract on the toggle switch or press red Retract Button on tool to return blade to starting position.
8. Open head by using the pull pin. (Figure 1)
9. Position the tool so the cable is in the open cutting head. (Figure 1)
10. Close Cutting Head and fully insert Pull Pin. Partial Pin insertion can cause a bad cut.
11. Set up the tool at a 90-degree angle to cable (Figure 3) to ensure a straight cut, making sure the area is clear. Secure tool to limit shifting and twisting during operation and to keep tool from falling during operation.

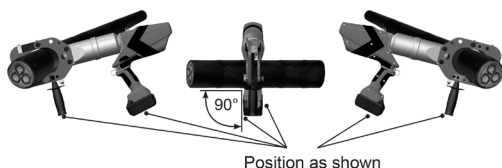


Figure 3

Examples:

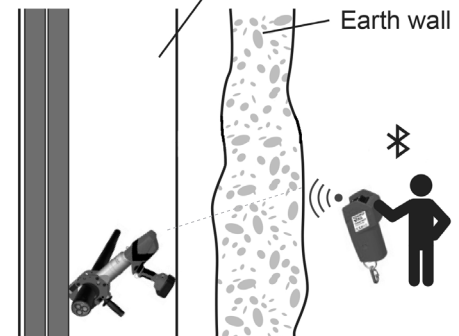
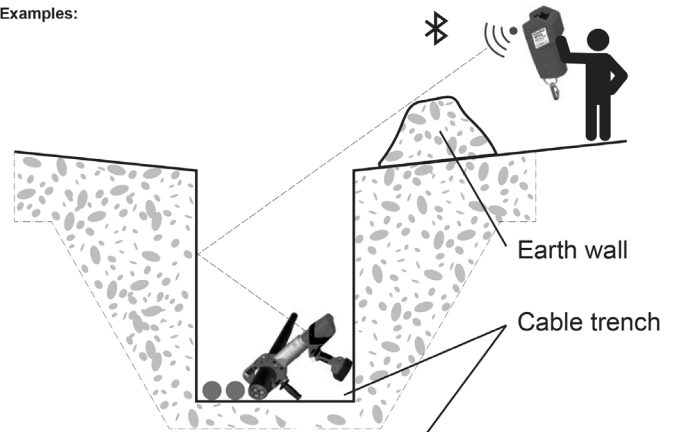


Figure 4

12. Move away from the cutter and to the area identified outside of potential arc flash range. (Figure 4)
13. Double click and hold “Extend” on toggle switch, the green LED will start blinking. When the cut is complete, both the blue and green LEDs will be solid and an audible sound will be heard from the remote. The cutting process can be interrupted at any time by releasing the toggle and the blade can be retracted by pressing and holding “Retract” on toggle switch.
14. After the remote signals the cut is complete, move to retrieve the tool checking the area around the tool before moving closer to the tool. If the operator was located out of sight while using the remote, the area may now have new hazards as a result of cutting the cable.
15. Remove the battery before setting up for another cut or placing tool in storage

Note: The tool will automatically shut down after 30 min of idleness when in Remote mode. A countdown will show on the OLED screen and will reset when the remote is used or disconnected.

Maintenance

⚠ WARNING

- **Do not perform any maintenance other than as described in this manual.** Personal injury or damage to the tool may result.
- **Do not open the tool.** It contains no user-serviceable parts

- Clean the housing with a damp cloth and mild detergent after every use. Dry completely, remove the battery and fully retract the blade before storing.
- Do not sharpen blades, send in for service to replace blades.

Storage

Remove batteries from the tool and remote before extended storage. If necessary, recharge the batteries. Refer to the instructions supplied with the battery charger.

Catalog Number	Description
05167	BATTERY, 18V LI-ION 4.0AH
52178	CHARGER, BATTERY - 120V
52180	CHARGER, BATTERY - 12V
52179	CHARGER, BATTERY - 230V
BTC3-LH	RMT CNTRL, BHT LIFT HARNESS
BTC3-LR	RMT CNTRL, BHT LIFT RING
BTC3GL	REMOTE CONTROL
BTC3-CK	RMT CNTRL KIT
BTC3-GR	RMT CNTRL, BHT GRND RING

Service

⚠ WARNING

- **Failure to follow required service schedule could compromise the tool and result in serious injury.**

At either 3 years or 10,000 cycles, the tool will stop working and factory service of the tool must be completed before tool will resume working. Factory service includes general inspections, replacement of tool's di-electric hydraulic oil and testing of tool by trained technicians.

When the Factory Service Date is approaching or arrived, contact Greenlee Customer Service. Expedited shipping is available.

Use this schedule to help track when your tool is due in for factory service.

Routine Service Calendar	Service Date	Notes
Date Placed into Service		
Date of First Factory Service		
Date of Second Factory Service		
Date of Third Factory Service		
Date of Fourth Factory Service		
Date of Fifth Factory Service		
Date of Sixth Factory Service		
Date of Seventh Factory Service		
Date of Eighth Factory Service		
Date of Ninth Factory Service		
Date of Tenth Factory Service		

Troubleshooting

Before You Begin

1. Make sure that the battery is charged. Recheck the battery after several minutes to make sure the battery is holding its charge.
2. Remove battery from tool.
3. Check the tool, see Pre-Operation Inspection.
4. Reinstall the battery and check the tool over again.

Consult the tables below for solutions to troubleshoot possible issues the tool may face. To aid troubleshooting, The Tool Indicator LED Table (pg. 8) explains signals from the red LED on the tool that may occur.

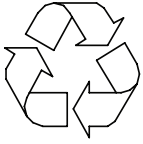
Tool Operation Troubleshooting Table

Problem	Possible Cause	Probable Remedy
Tool is inoperative.	Contaminants in ram area of tool.	Clean tool.
	Tool parts worn or damaged.	Send tool in for service.
Motor is inoperative.	Low or uncharged battery.	Try known charged battery. Inoperative battery may be discharged or may have reached life expectancy.
	Broken switch components.	Send tool in for service.
Motor runs but tool will not complete a cycle.	Oil level low.	Send tool in for service.
	Air in hydraulic system.	Pull trigger and hold retract button together for about 10 seconds, attempt cut again. If unsuccessful, send tool in for service.
	Cold oil.	Pull trigger and hold retract button together for about 10 seconds to warm oil.
Tool loses oil.	Damaged seal.	Send tool in for service.

Tool Error Code Table

Error Code	Meaning	Action
1	Overcurrent fuse	Seek Service
2	Overcurrent comparator	Seek Service
3	Overheated circuit board	Cool Tool
4	Overheated battery	Cool Battery
5	Battery empty; operation stops	Charge Battery
6	Faulty cut; complete cycle	Seek Service
7	Faulty cut; incomplete cycle	Seek Service
8	Low battery	Charge Battery
9	Battery empty	Charge Battery
10	Real-time clock battery low	Seek Service
11	Tool deactivated	Seek Service
12	Service necessary	Seek Service
13	Real-time clock not found	1. Re-insert Battery 2. Seek Service
14	Bluetooth [®] unit not found	1. Re-insert Battery 2. Seek Service
15	[Not Used]	
16	Pressure sensor not found	Seek Service
17	Pressure exceeded	Seek Service
18	Battery temperature too low	Warm Battery
21	Remote control battery low	Replace Battery

Disposal



This tool contains a lithium-ion battery and can be recycled. Do not dispose of this item with regular waste.

Li-ion

Parts of these tools contain valuable materials and can be recycled. There are companies that specialize in recycling that may be found locally. Dispose of the components in compliance with all applicable regulations. Contact your local waste management authority for more information.

Warranty

The ESG105LXR and ESG65LXR tools are covered by the standard Greenlee Limited Warranty for a period of 7 years.

Visit our website to review the standard Greenlee Limited Warranty.

For warranty claims and/or factory service please contact Greenlee Customer Service

Reminder: Warranty claim is void if the tool is opened by anyone not authorized to service this tool.

Required Statements

Model X – FCC ID: RFR-S50; IC ID: 4957A-S50

USA requirements:

Responsible party: Greenlee Tools, Inc. Rockford, IL 61109 USA

Note: This equipment has been tested and found to comply with the limits for a Class A digital device, pursuant to Part 15 of the FCC Rules. These limits are designed to provide reasonable protection against harmful interference when the equipment is operated in a commercial environment. This equipment generates, uses, and can radiate radio frequency energy and, if not installed and used in accordance with the instruction manual, may cause harmful interference to radio communications. Operation of this equipment in a residential area is likely to cause harmful interference in which case the user will be required to correct the interference at his own expense.

This device complies with the RF exposure SAR test exclusion requirements for portable devices, if a minimum separation distance is kept. However, the device shall be used in such a manner that the potential for human contact during normal operation is minimized.

Canada requirements:

This device complies with Industry Canada's license-exempt RSSs. Operation is subject to the following two conditions:

- (1) This device may not cause interference; and*
- (2) This device must accept any interference, including interference that may cause undesired operation of the device.*

Le présent appareil est conforme aux CNR d'Industrie Canada applicables aux appareils radio exempts de licence. L'exploitation est autorisée aux deux conditions suivantes:

- 1) l'appareil ne doit pas produire de brouillage;*
- 2) l'utilisateur de l'appareil doit accepter tout brouillage radioélectrique subi, même si le brouillage est susceptible d'en compromettre le fonctionnement.*

