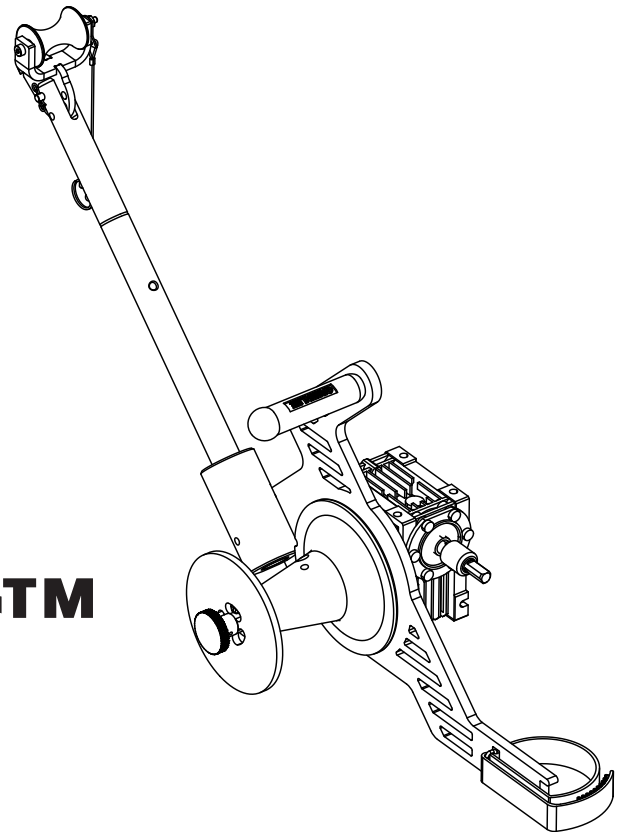


OPERATION MANUAL



G1 Versi-Tugger™ Drill-Powered Cable Puller

Español.....25-46
Français.....47-68



Read and understand all of the instructions and safety information in this manual before operating or servicing this tool.

Register this product at www.greenlee.com

Table of Contents

GENERAL SAFETY	3-4
SPECIFIC SAFETY	5-7
CABLE PULLING OVERVIEW	
Cable Pulling Glossary	8
Planning the Pull.....	8
FUNCTIONAL DESCRIPTION	
Identification	9-10
Specifications.....	11
OPERATION	
Mounting Cordless Drill to Puller.....	12
Head and Boom Operation	13
Puller Operation.....	14-15
Spooling Pulling Line/Mule Tape	14
Capstanning.....	15
Mounting a Monopod	16
Attaching a Boom Extension.....	17
EXPLODED VIEW AND PARTS LISTS	
G1 Versi-Tugger Puller.....	19-21

Description

The Greenlee G1 Versi-Tugger™ is intended to be used to pull cable through conduit and in tray. The G1 Versi-Tugger is an attachment for pistol grip style 12-20V cordless drills. The G1, coupled with a standard drill or hammer drill driver such as the Makita XFD07, will develop up to 1000lbs (4.45kN). Refer to a Greenlee catalog for sheaves, pulling rope, and other cable pulling accessories to create an entire cable pulling system. No single manual can provide instructions for every possible cable pulling application; this manual contains general information necessary to accomplish cable pulls of many different setups.

Safety

Safety is essential in the use and maintenance of Greenlee tools and equipment. This instruction manual and any markings on the tool provide information for avoiding hazards and unsafe practices related to the use of this tool. Observe all of the safety information provided.

Purpose of this Manual

This manual is intended to familiarize all personnel with the safe operation and maintenance procedures for the Greenlee G1 Versi-Tugger Drill-Powered Cable Puller.

Keep this manual available to all personnel.

Replacement manuals are available upon request at no charge at www.greenlee.com.

All specifications are nominal and may change as design improvements occur. Greenlee Tools, Inc. shall not be liable for damages resulting from misapplication or misuse of its products.

® Registered: The color green for cable pulling equipment is a registered trademark of Greenlee Tools, Inc.

KEEP THIS MANUAL

GENERAL SAFETY RULES

WARNING Read all safety warnings, instructions, illustrations and specifications provided with this power tool. Failure to follow all instructions listed below may result in electric shock, fire and/or serious injury.

SAVE ALL WARNINGS AND INSTRUCTIONS FOR FUTURE REFERENCE.

The term "power tool" in the warnings refers to your mains-operated (corded) power tool or BATTERY operated (cordless) power tool.

WORK AREA SAFETY

Keep work area clean and well lit. Cluttered or dark areas invite accidents.

Do not operate power tools in explosive atmospheres, such as in the presence of flammable liquids, gases or dust. Power tools create sparks which may ignite the dust or fumes.

Keep children and bystanders away while operating a power tool. Distractions can cause you to lose control.

ELECTRICAL SAFETY

Avoid body contact with earthed or grounded surfaces, such as pipes, radiators, ranges and refrigerators. There is an increased risk of electric shock if your body is earthed or grounded.

Do not expose power tools to rain or wet conditions. Water entering a power tool will increase the risk of electric shock.

PERSONAL SAFETY

Stay alert, watch what you are doing and use common sense when operating a power tool. Do not use a power tool while you are tired or under the influence of drugs, alcohol or medication. A moment of inattention while operating power tools may result in serious personal injury.

Use personal protective equipment. Always wear eye protection. Protective equipment such as dust mask, non-skid safety shoes, hard hat, or hearing protection used for appropriate conditions will reduce personal injuries.

Prevent unintentional starting. Ensure the switch is in the off-position before connecting to power source and or BATTERY pack, picking up or carrying the tool. Carrying power tools with your finger on the switch or energising power tools that have the switch on invites accidents.

Remove any adjusting key or wrench before turning the power tool on. A wrench or a key left attached to a rotating part of the power tool may result in personal injury.

Do not overreach. Keep proper footing and balance at all times. This enables better control of the power tool in unexpected situations.

Dress properly. Do not wear loose clothing or jewelry. Keep your hair, clothing and gloves away from moving parts. Loose clothes, jewelry or long hair can be caught in moving parts.

If devices are provided for the connection of dust extraction and collection facilities, ensure these are connected and properly used. Use of dust collection can reduce dust-related hazards.

Do not let familiarity gained from frequent use of tools allow you to become complacent and ignore tool safety principles. A careless action can cause severe injury within a fraction of a second.

POWER TOOL USE AND CARE

Do not force the power tool. Use the correct power tool for your application. The correct power tool will do the job better and safer at the rate for which it was designed.

Do not use the power tool if the switch does not turn it on and off. Any power tool that cannot be controlled with the switch is dangerous and must be repaired.

Disconnect the plug from the power source and/or remove the BATTERY pack, if detachable, from the power tool before making any adjustments, changing accessories, or storing power tools. Such preventive safety measures reduce the risk of starting the power tool accidentally.

Store idle power tools out of the reach of children and do not allow persons unfamiliar with the power tool or these instructions to operate the power tool. Power tools are dangerous in the hands of untrained users.

GENERAL SAFETY RULES (cont'd)

Maintain power tools and accessories. Check for misalignment or binding of moving parts, breakage of parts and any other condition that may affect the power tool's operation. If damaged, have the power tool repaired before use. Many accidents are caused by poorly maintained power tools.

Keep cutting tools sharp and clean. Properly maintained cutting tools with sharp cutting edges are less likely to bind and are easier to control.

Use the power tool, accessories and tool bits etc. in accordance with these instructions, taking into account the working conditions and the work to be performed. Use of the power tool for operations different from those intended could result in a hazardous situation.

Keep handles and grasping surfaces dry, clean and free from oil and grease. Slippery handles and grasping surfaces do not allow for safe handling and control of the tool in unexpected situations.

SERVICE

Have your power tool serviced by a qualified repair person using only identical replacement parts.

This will ensure that the safety of the power tool is maintained.

SPECIFIC SAFETY RULES AND SYMBOLS



SAFETY ALERT SYMBOL

This symbol is used to call your attention to hazards or unsafe practices which could result in an injury or property damage. The signal word, defined below, indicates the severity of the hazard. The message after the signal word provides information for preventing or avoiding the hazard.

⚠ DANGER

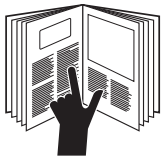
Immediate hazards which, if not avoided, **WILL** result in severe injury or death.

⚠ WARNING

Hazards which, if not avoided, **COULD** result in severe injury or death.

⚠ CAUTION

Hazards or unsafe practices which, if not avoided, **MAY** result in injury or property damage.



⚠ DANGER

Read and understand all of the instructions and safety information in this manual before operating or servicing this tool.

Failure to observe this warning will result in severe injury or death.



⚠ DANGER

Do not operate the cable puller in a hazardous environment. Hazards include flammable liquids and gases.

Failure to observe this warning will result in severe injury or death.

⚠ WARNING

Do not use this tool near live circuits. Shut off and lock out power when working near existing circuits



⚠ WARNING

Inspect and verify the maximum load-bearing capacity or maximum strength of all structural supports, pulling system components and anchoring systems before setting up the puller. Any component that cannot withstand the maximum cable pulling forces could break and strike nearby personnel with sufficient force to cause severe injury or death.



⚠ WARNING

Do not allow anything other than the pulling line to contact the capstan. A grip, swivel, or other component could break and strike nearby personnel with great force. Failure to observe this warning could result in severe injury or death.



⚠ WARNING

Do not stand directly under a vertical pull. Cable could fall suddenly from the conduit, injuring nearby personnel. Failure to observe this warning could result in severe injury or death.

⚠ WARNING

Only use approved pulling lines and inspect pulling lines before use. Never use pulling lines that are under rated for the application. Approved pulling lines include: mule tape, measuring tape, and pulling (poly) line. **DO NOT** use strings, lines or rope that are not intended for cable pulling such as general-purpose rope. Failure to observe this warning could result in severe injury or death.

SPECIFIC SAFETY RULES AND SYMBOLS (cont'd)

⚠ WARNING

An under-rated rope may break and whip violently. Use a cable pulling rope with the following characteristics:

- Maximum Rated Capacity: at least 1500 lb (6.7 kN)
- Average Breaking Strength: at least 6000 lb (26.7 kN)
- Rope Diameter Range: 1/4" to 1/2"

Failure to observe this warning could result in severe injury or death.

⚠ WARNING

- Check the condition of the entire rope before use. A worn or damaged rope can break under tension and whip violently.
- Do not maintain a stationary rope on a rotating capstan. The wear generated may cause the rope to break under tension and whip violently.

Failure to observe these warnings could result in severe injury or death.

⚠ WARNING

Attach the pulling rope to the cable with appropriate types of connectors. Select connectors with a maximum rated capacity of 1500 lb (6.7 kN). An under-rated connector can break under tension.

Failure to observe this warning could result in severe injury or death.



⚠ WARNING

Keep hands away from the capstan. Rope at the capstan can crush a hand. Failure to observe this warning could result in severe injury or death.



⚠ WARNING

Do not wrap rope around hands, arms, waist or other body parts. Do not stand in spent coils or tailed rope. Hold rope so that it may be released quickly. Failure to observe this warning could result in severe injury or death.

⚠ WARNING

Rope, cable, or a connecting device can break under tension, causing the rope to whip violently.

- Do not allow any unnecessary personnel to remain in the area during the pull.
- Do not allow any personnel to stand in line with the pulling rope.

Failure to observe these warnings could result in serious injury or death.

⚠ WARNING

- Do not allow the rope to overlap on the capstan. If the rope approaches the top of the angled part of the capstan, relax the tailing force. If an overlap does occur, shut off the puller immediately.

Failure to observe these warnings could result in severe injury or death.

⚠ WARNING

Only use the G1 Versi-Tugger with approved pistol grip style 12V-20V cordless drills. Do not use the G1 Versi-Tugger with corded drills, right angle cordless drills, D-handle or spade handle cordless drills, impact drills, or pistol grip style cordless drills whose voltage is rated higher than 20V.

⚠ WARNING

DO NOT exceed maximum rated pull force of 1000 lb. Failure to observe this warning could result in severe injury or death.

⚠ WARNING

Use this tool for manufacturer's intended purpose only. Do not use the cable puller as a hoist or winch.

- The cable puller cannot lower a load.
- The load may fall.

Failure to observe this warning could result in severe injury or death.

SPECIFIC SAFETY RULES AND SYMBOLS (cont'd)

⚠ WARNING

Inspect puller and accessories before use. Replace any worn or damaged components with Greenlee replacement parts. A damaged or improperly assembled item can break and strike nearby personnel with great force.

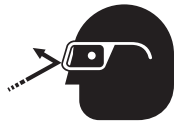
Failure to observe this warning could result in severe injury or death.

⚠ WARNING

Entanglement hazard:

- Do not operate the cable puller while wearing loose-fitting clothing.
- Retain long hair.

Failure to observe these warnings could result in severe injury or death.



⚠ WARNING

Wear eye protection when using this tool.

Failure to wear eye protection could result in severe eye injury from flying debris.



⚠ WARNING

Wear gloves when using this tool.

Failure to wear gloves could result in severe injury from flying debris.

⚠ WARNING

Do not alter or modify the G1 VersiTugger in any way. This includes but is not limited to artificially reinforcing components or using drive keys not provided by Greenlee.

⚠ WARNING

Do not pin or fix trigger in ON position. Do not mount or attach puller to any object.

CABLE PULLING OVERVIEW

Cable Pulling Glossary

Anchoring system

any item or group of items that keeps a cable pulling component in place during the cable pull

Capstan

the tapered cylinder of the cable puller that acts on the pulling rope to generate pulling force

Connector

any item, such as a wire grip, clevis, swivel, or pulling grip, that connects the rope to the cable

Direct line of pull

the areas next to the pulling rope and along its path; this includes the areas in front of, in back of, and underneath the rope

Maximum rated capacity

the amount of pulling tension that any component can safely withstand, rated in kilonewtons (metric) or pounds; the maximum rated capacity of every component must meet or exceed the maximum pulling force of the cable puller

Pulling grip

connects the rope to the cable; consists of a wire mesh basket that slides over the cable and grips the insulation

Pulling force

the amount of pulling tension developed by the cable puller, rated in newtons (metric) or pounds; a cable puller is usually described by the maximum pulling force that it can develop

Sheave

a pulley that changes the direction of the rope and cable

Support structure

any stationary object that a cable pulling system component is anchored to, such as a concrete floor (for the floor mount) or an I-beam (for a sheave)

Tail

the portion of the rope that the operator applies force to; this is the rope coming off of the capstan, and is not under the tension of the pull

Tailing the rope

the operator's main function; this is the process of applying force to the tail of the pulling rope—refer to the complete explanation under “Cable Pulling Principles”

Wire grip

connects the rope to the cable; some use a set screw to clamp onto the conductors of the cable

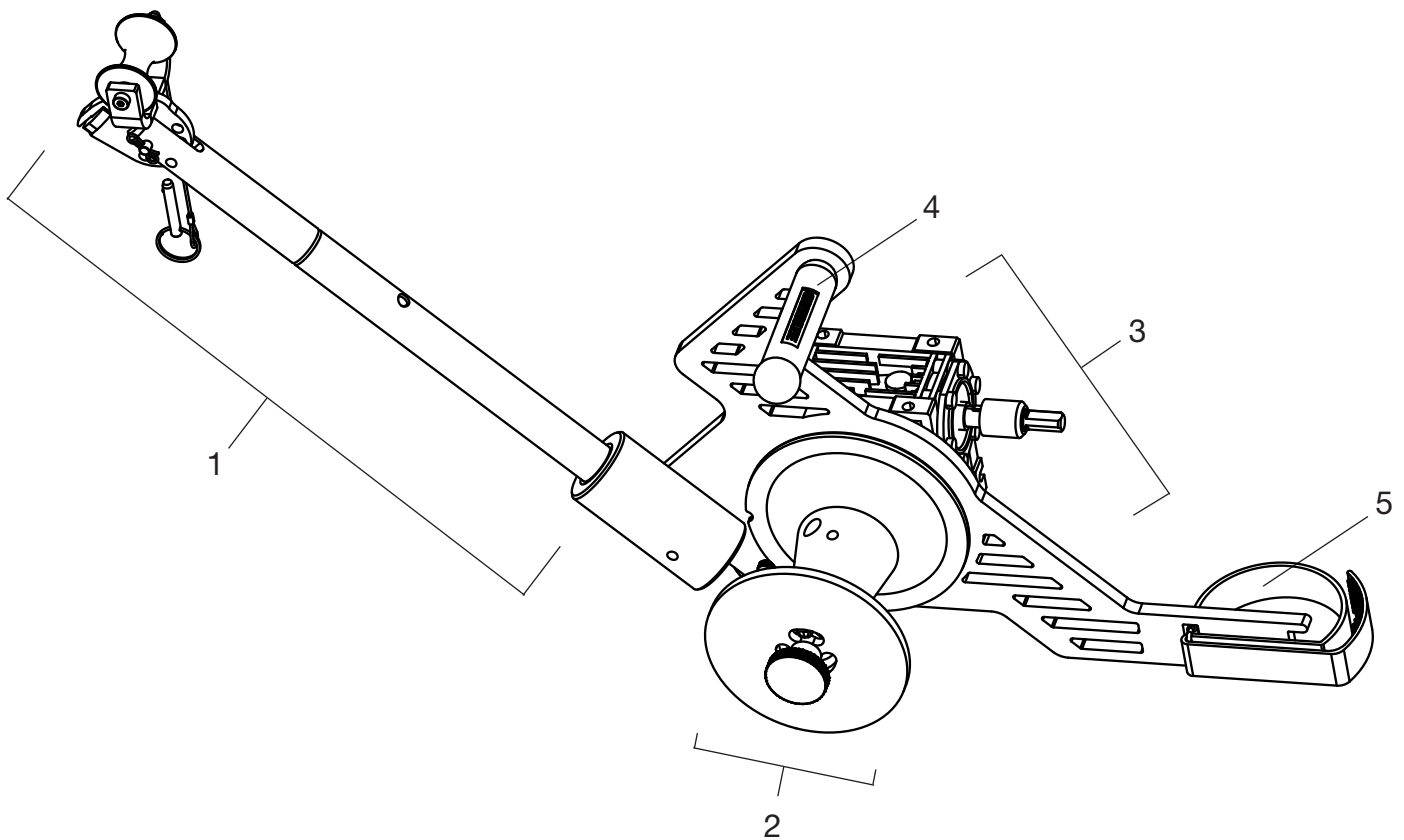
Planning the Pull

- Pull in a direction that will require the lowest amount of pulling force.
- Plan several shorter pulls rather than fewer longer pulls.
- Locate the puller as close to the end of the conduit as possible to minimize the amount of exposed rope under tension.
- Place each component so that the pulling forces are used effectively.
- Verify that each component has the proper load rating.
- Inspect the structural supports. Verify that they have enough strength to withstand the maximum forces that may be generated.

FUNCTIONAL DESCRIPTION

Identification

1. Boom Assembly
2. Capstan and Capstan Wall Assembly
3. Frame and Gearbox Assembly
4. Handle Assembly
5. Drill Strap

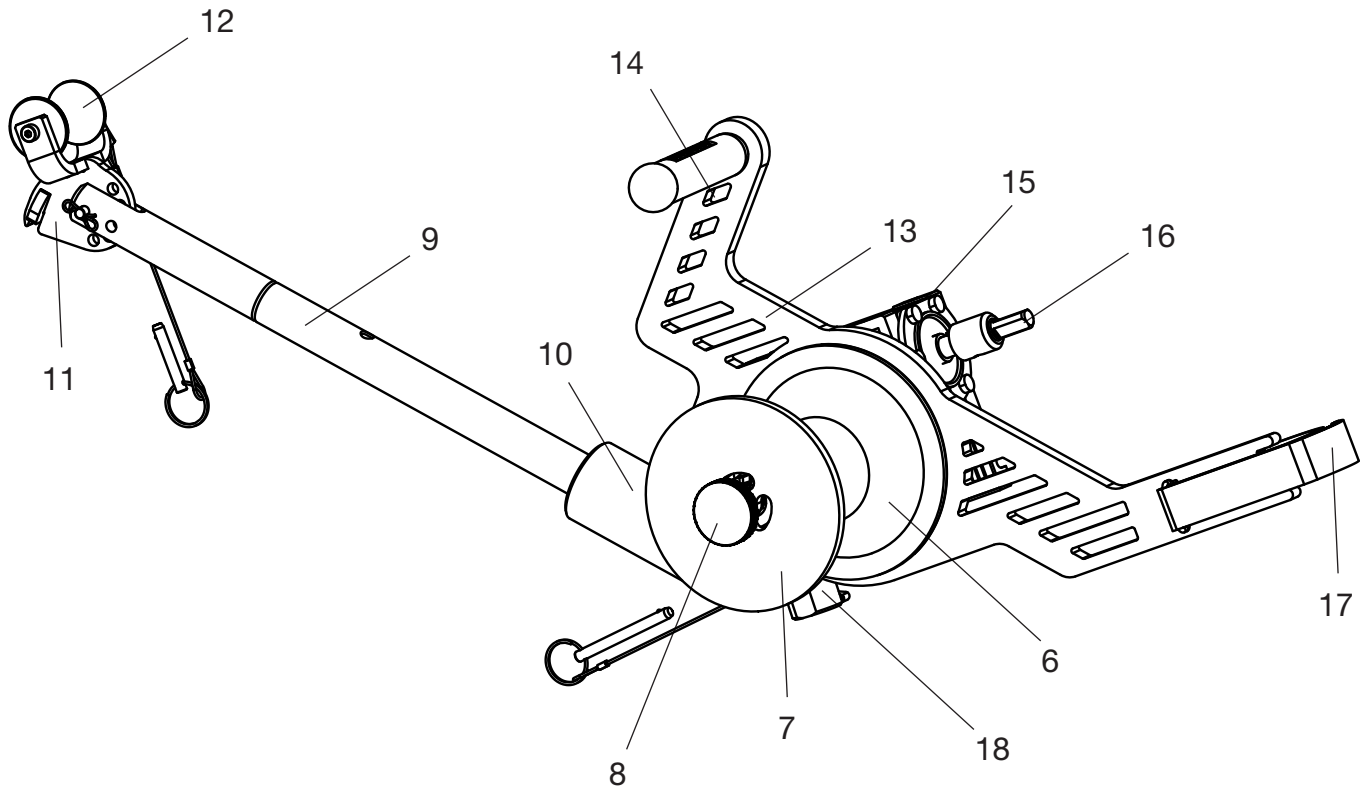


Note: for detailed exploded views, please see the Exploded Views and Parts Lists section of this manual or refer to the G1 Versi-Tugger Service Manual.

Identification (cont'd)

Assembly Components

- | | |
|------------------------|---------------------|
| 6. Capstan | 13. Frame |
| 7. Capstan Wall | 14. Handle |
| 8. Capstan Wall Knob | 15. Gearbox |
| 9. Boom | 16. Input Shaft |
| 10. Boom Adapter | 17. Drill Strap |
| 11. Puller Head | 18. Monopod Adapter |
| 12. Puller Head Sheave | |



Specifications

Weight (with boom).....	13.8 lb (6.3 kg)
Dimensions	
Length (with boom)	32.1 in (81.5 cm)
Width.....	9.7 in (24.6 cm)
Height.....	10.5 in (26.7 cm)
Fits conduit sizes	1/2"-4"
Compatible Pulling Rope/Line.....	Pulling line (poly line), polyaramid and polyester measuring tape (mule tape), pulling rope 1/4" to 1/2"

⚠ WARNING

<p>Only use the G1 Versi-Tugger with approved pistol grip style 12V-20V cordless drills. Do not use the G1 Versi-Tugger with corded drills, right angle cordless drills, D-handle or spade handle cordless drills, impact drills, or pistol grip style cordless drills whose voltage is rated higher than 20V.</p>
--

	LOW	HIGH
No-Load Speed* (Spooling 430 Poly line)	83 ft/min (25.3 m/min)	308 ft/min (93.9 m/min)

*Assumes drill output in low-speed = 500RPM and high-speed = 2000RPM *Note: pull speed is dependent on cordless drill performance*

Pulling Force

Max/Peak	1,000 lb
Constant.....	up to 600 lb

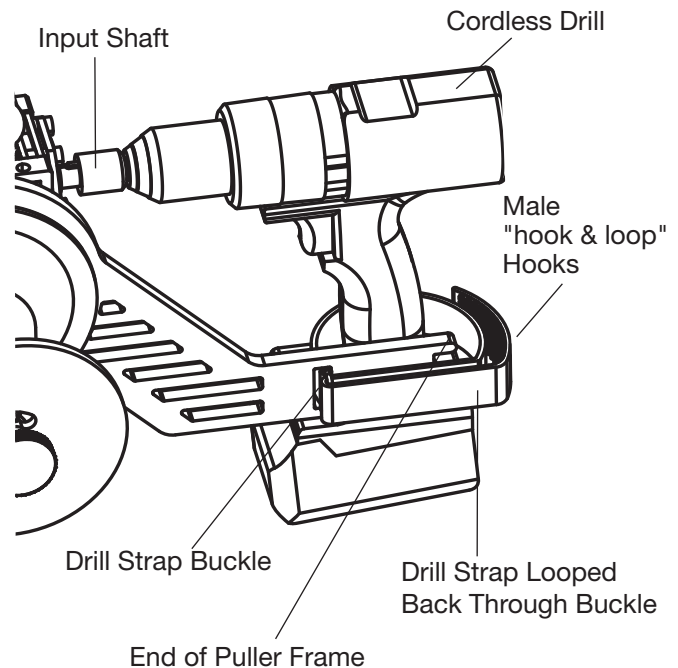
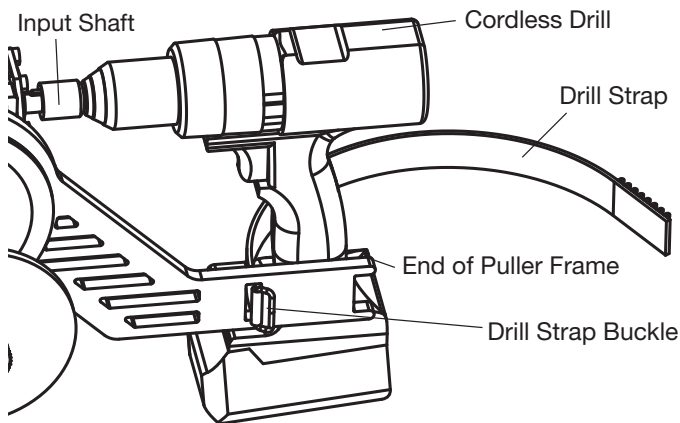
OPERATION

Mounting Cordless Drill to Puller

⚠ WARNING

Use of the drill strap with the G1 is mandatory for safe operation. Failure to observe this warning could result in injury.

1. Loosen the cordless drill chuck enough to accept the input shaft.
2. Tighten the cordless drill chuck onto the input shaft. Ensure the drill chuck is fully seated on the three flats of the input shaft.
3. Wrap the end of the hook and loop drill strap around the hand grip of the cordless drill and the end of the puller frame.
4. Insert the strap end through the buckle on the opposite side of the frame as the drill. Pull the end of the drill strap through the buckle.
5. Cinch the strap tight and fasten the hooks on the strap end to the loops on the body of the strap.
6. Ensure that the strap is free of damage and dirt and that the hooks are fully engaged with loops of the drill strap.



⚠ WARNING

Only use the G1 Versi-Tugger with approved pistol grip style 12V-20V cordless drills. Do not use the G1 Versi-Tugger with corded drills, right angle cordless drills, D-handle or spade handle cordless drills, impact drills, or pistol grip style cordless drills whose voltage is rated higher than 20V.

Head and Boom Operation

The G1 Versi-Tugger is equipped with a multi-position head and boom system. The puller head has 5 positions and the boom has 4 positions.

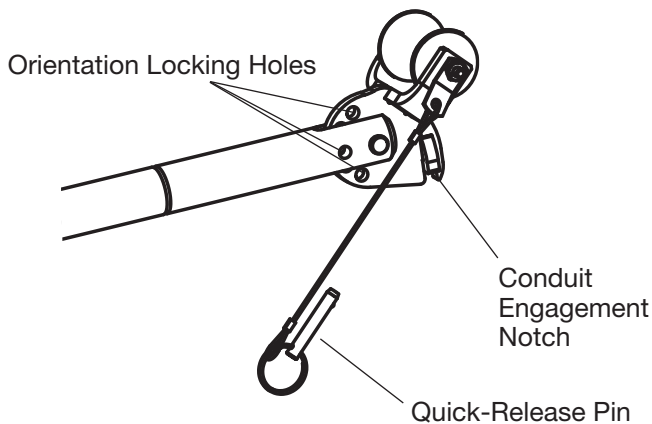
To adjust the position or orientation of the boom or puller head:

- Remove the respective quick release pin
- Reorient the component to its desired position
- Reinsert the quick release pin.

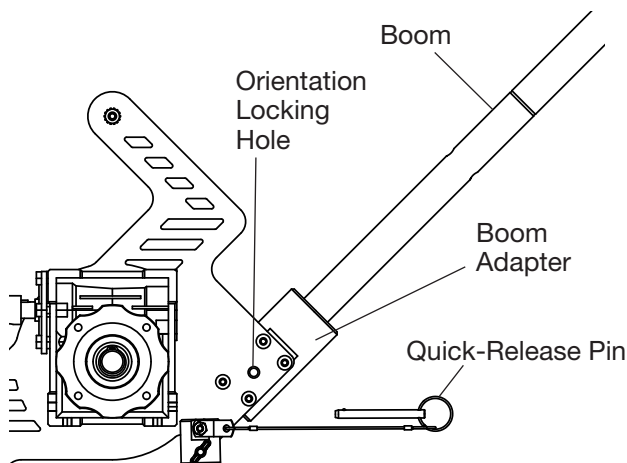
No matter the situation, always ensure that the conduit engagement notch properly interfaces with the conduit or conduit nut. In addition, always orient the head so the rope or pulling line is not rubbing on the edge of the conduit, or on stationary components of the puller.

Although each pulling situation has unique setup requirements, typical up-pull, down-pull, and side-pull positions are shown below:

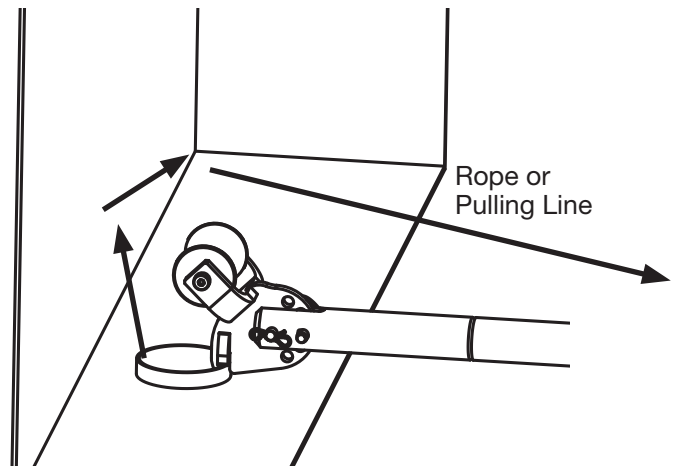
1. Head-Adjustment Pin and Conduit Engagement Notch



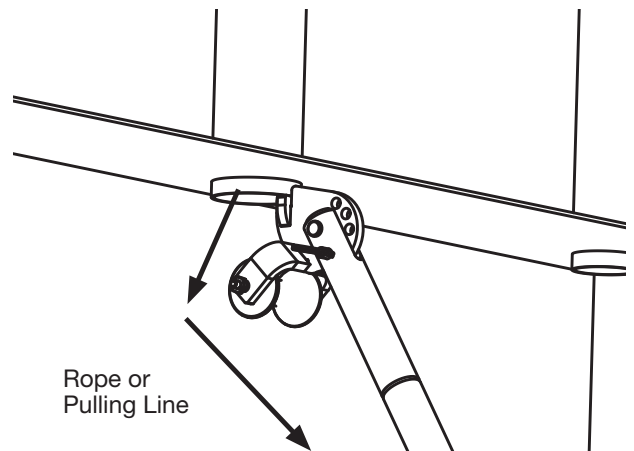
2. Boom Adjustment Pin



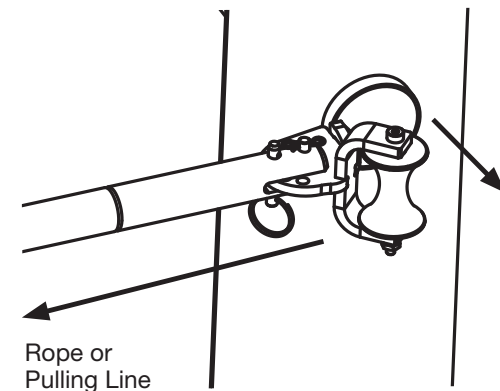
3. Up-Pull Head Orientation



4. Down-Pull Head Orientation



5. Side-Pull Orientation



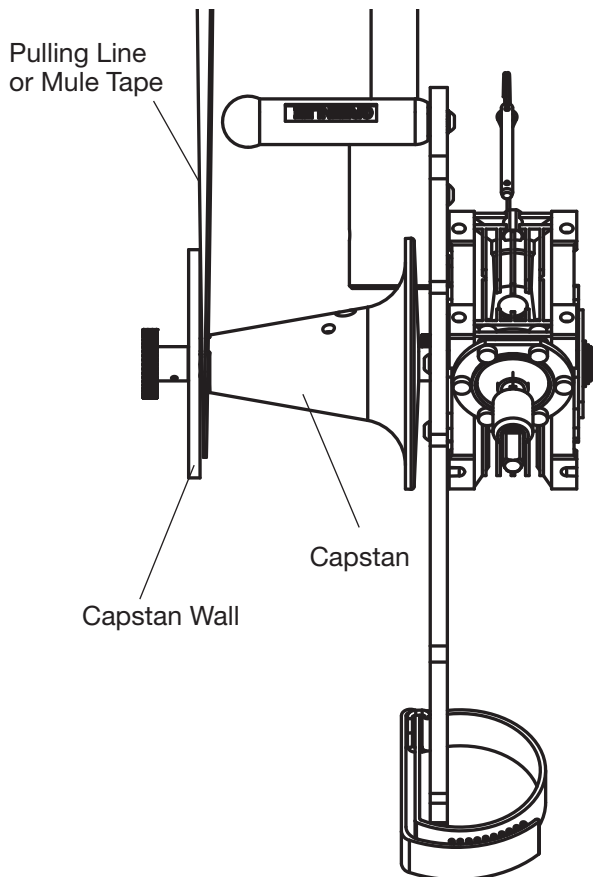
Note: The lines on the boom indicate the engagement point of each length when lined up with the top of the mount. You may need to rotate the boom to engage.

Puller Setup and Operation

Spooling Pulling Line/Mule Tape

SETUP

1. Anchor pulling line/tape to the capstan. There are two ways to anchor the line to the capstan listed below:
 - A. Thread the line through the large hole in the capstan and tie a knot.
 - OR-
 - B. Take the end of the line and clamp it between the capstan wall and the capstan. This can be accomplished by unscrewing the capstan wall about halfway. Then, take the end of the line and place it between the capstan wall and the capstan. Finally, screw the capstan wall firmly into place against the capstan.



2. Adjust the orientation and position of the head and boom if necessary, ensure the line/tape is anchored to the capstan. (see previous page 14 “Head and Boom Operation”). Remember to fully seat the conduit engagement notch against the conduit or conduit nut before beginning to pull.

OPERATION

1. Once the puller has been set up correctly, the pulling process can begin.
2. With the cordless drill attached to the G1 Versi-Tugger (see previous page 13 “Mounting Cordless Drill to Puller”) and the cordless drill direction set to the FORWARD or CLOCKWISE spinning position,* depress the trigger of the cordless drill and the capstan will begin to spin.
3. When the capstan spins, the pulling line or mule tape will begin to spool up.
 - DO NOT attempt to touch or shift the line while the capstan is spinning. If an adjustment is necessary, stop the drill and then make the adjustment.
 - It is recommended that when pulling wire or cable that the cordless drill be operated in LOW speed to avoid damage to the cable during the pulling process. Other low force cable pulling scenarios, like pulling rope into conduit with pulling line (as setup for a larger cable pull), can be run in HIGH speed if desired.
4. When the cable pull is complete, the pulling line or mule tape can be removed. First separate the pulling line or mule tape from the wire, cable, or rope that has been pulled.
5. To remove the pulling line/tape when the pull is complete, unscrew the knob of the capstan wall. Once fully unscrewed, remove the wall from the capstan.
6. The spool of line or tape can be removed from the capstan by grasping the line/tape and sliding it off the end of the capstan.
7. After the pulling line or mule tape has been removed from the capstan, screw the capstan wall back onto the capstan.



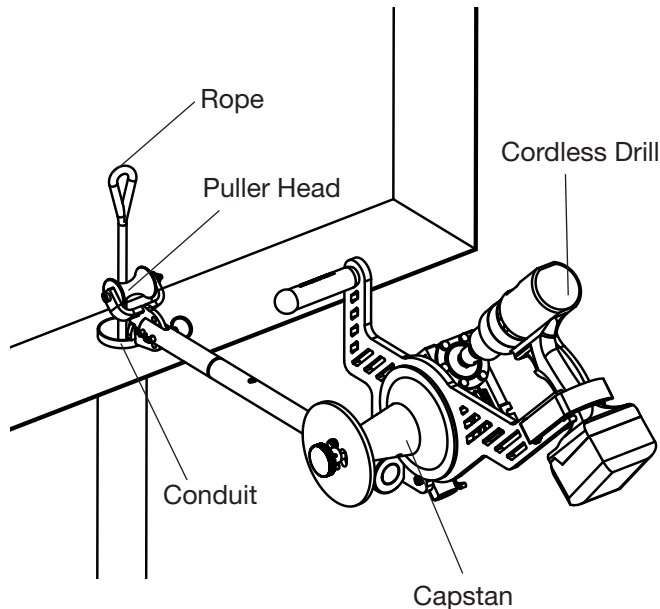
*See manufacturer instructions for your drill.

Puller Setup and Operation (cont'd)

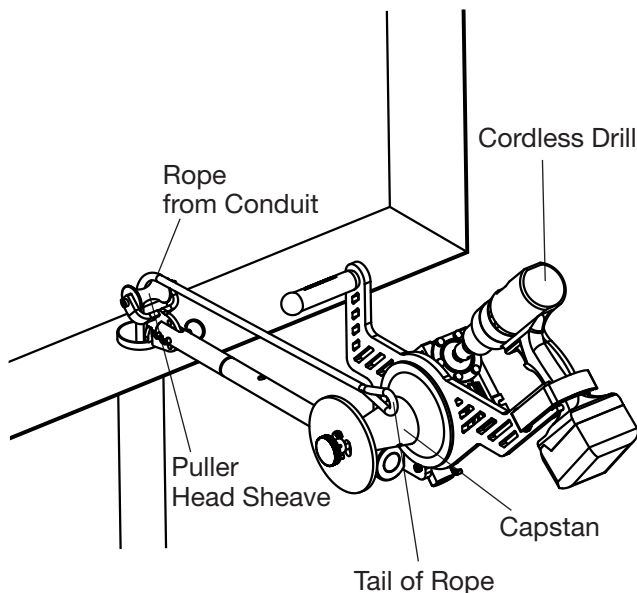
Capstanning — Pulling Rope or Mule Tape SETUP

To use the G1 Versi-Tugger to capstan rope (1/4" to 1/2" diameter), first set up the puller.

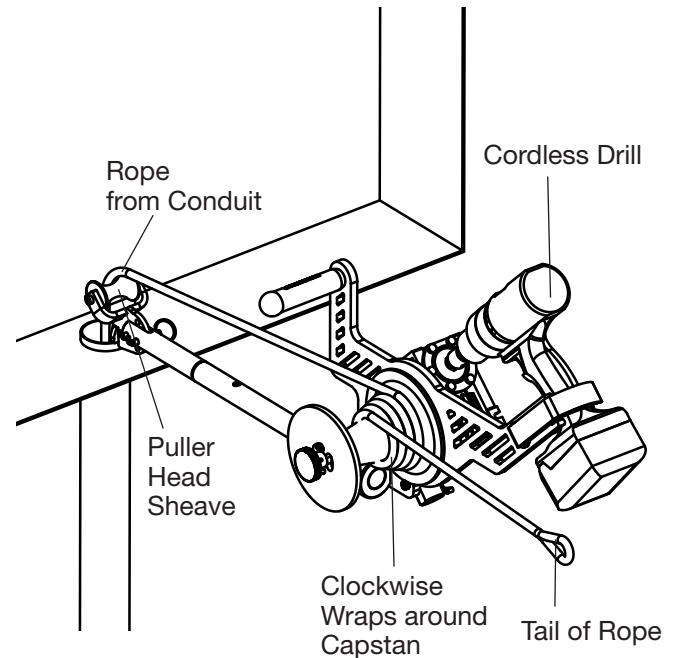
1. Adjust the orientation and position of the head and boom if necessary, see p. 14 "Head and Boom Operation"). Remember to fully seat the conduit engagement notch against the conduit or conduit before beginning to pull.



2. Route the rope from the conduit over the puller head sheave and to the capstan.



3. Wrap the rope in a clockwise direction, as with conventional cable pullers, around the capstan with tail end of the pulling rope towards capstan wall.



OPERATION

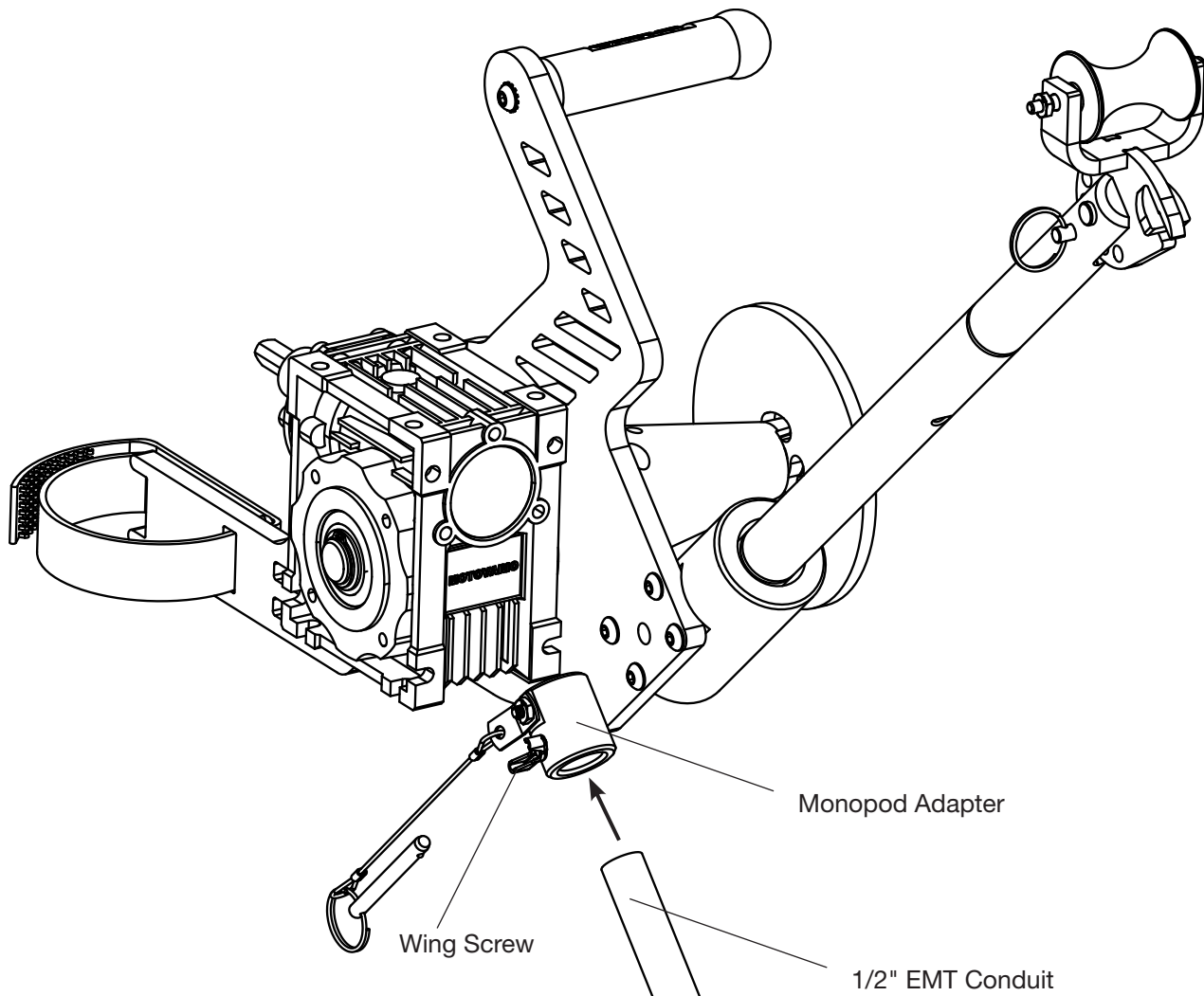
4. With the cordless drill attached to the G1 Versi-Tugger (see p. 13 "Mounting Cordless Drill to Puller") and the cordless drill direction set to the FORWARD or CLOCKWISE* spinning position, depress the trigger of the cordless drill. The capstan will begin to spin.
5. Using the hand not operating the drill, pull the tail of the rope while the capstan is spinning. The rope will begin to pull the cable and payoff as with conventional cable pullers.
 - If the rope loses engagement on the capstan and begins to slip, stop the drill and add additional wraps of the rope to the capstan.
 - It is recommended that when pulling wire or cable that the cordless drill be operated in LOW speed to avoid damage to the cable during the pulling process. Other low force cable pulling scenarios can be run in HIGH speed if desired.
6. When the pull is complete, the rope can be unwrapped from the capstan in a counter-clockwise direction.

*See manufacturer instructions.

Optional: Mounting a Monopod

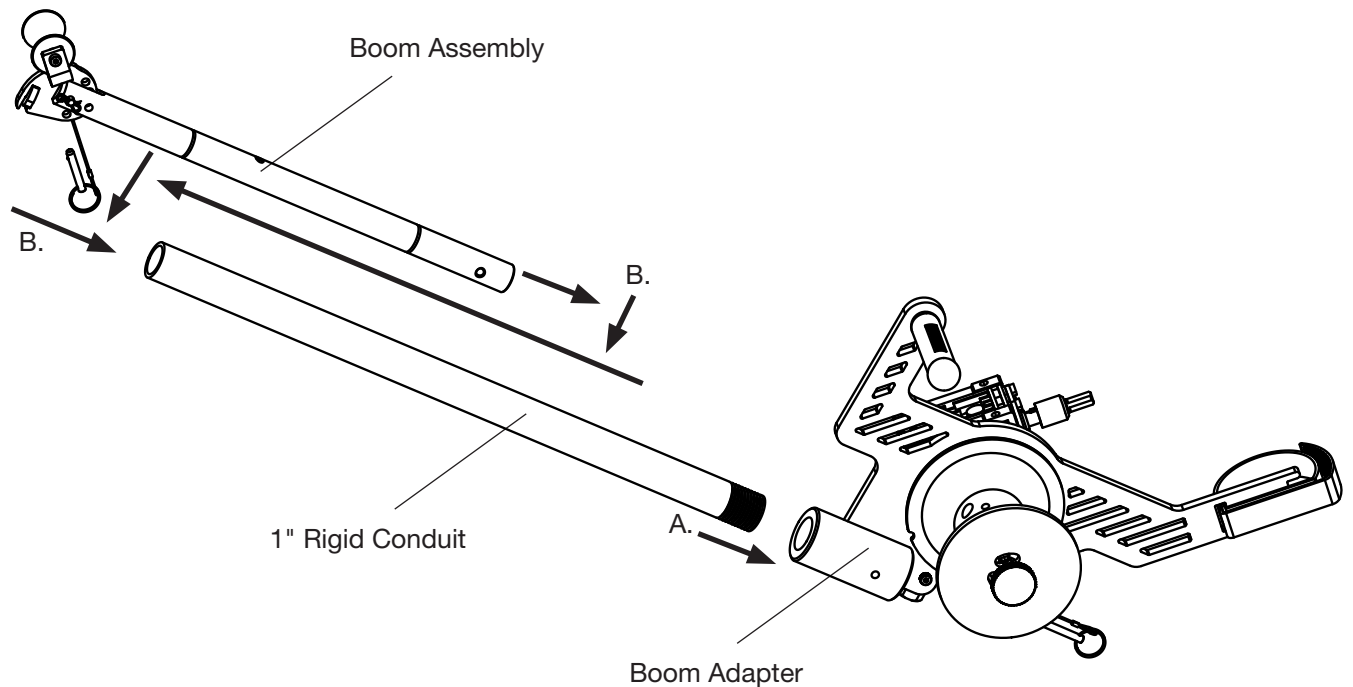
1. Cut a piece of 1/2" EMT conduit to desired length.
2. Insert the conduit into the monopod adapter.
3. Loosen the wing screw until the conduit fully seats into the bottom of the monopod adapter.
4. Tighten the wing screw until the conduit is held securely by the wing screw.

*Take care when tightening the wing screw, overtightening can result in stripping the threads in the monopod adapter.



Optional: Attaching a Boom Extension

1. Select a piece of 1" rigid conduit and cut to length if necessary. Ensure you leave one threaded end intact.
2. Remove the boom assembly from the G1 Versi-Tugger. (See p.14 for additional instructions.)
3. Thread the 1" rigid conduit into the boom adapter. (A)
4. Insert the boom assembly into the end of the conduit not threaded into the G1. (B)
5. Use caution while using a conduit boom extension as the weight of the G1 Versi-Tugger will increase significantly.



Troubleshooting

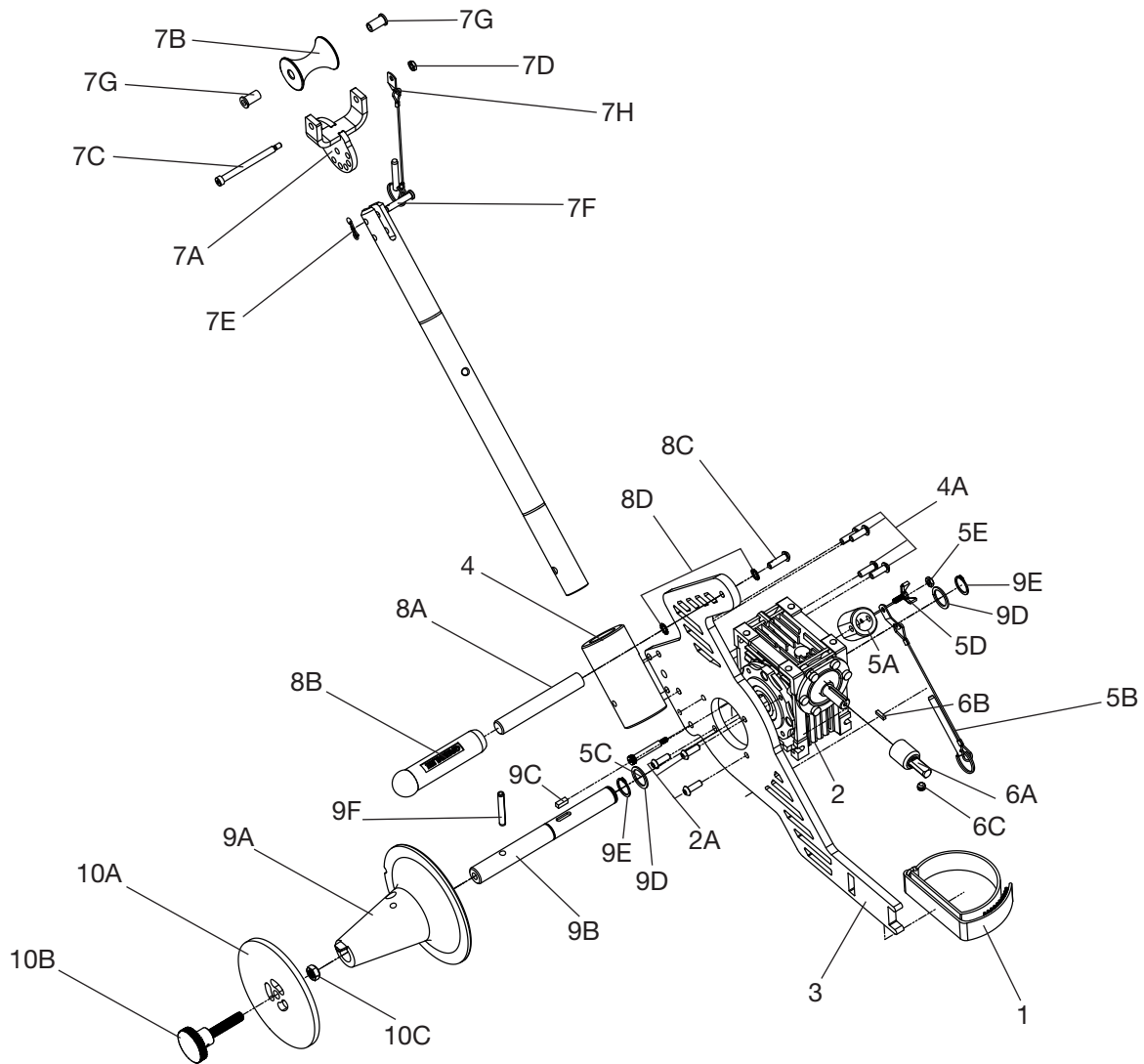
If the puller becomes inoperative, refer to the troubleshooting table below.

Problem	Probable Cause	Probable Remedy
During a pull, the drill, input shaft AND capstan stop spinning	Drill battery is low or empty	Replace cordless drill battery.
	The drill stalled because the pull force is too high	Stop using the G1 Versi-Tugger and use a larger cable puller to finish the cable pull.
During a pull, the frame begins to bend and contacts the capstan	Force of the pull exceeded 1000 LB.	Do not exceed maximum force of 1000 lb to avoid cosmetic damage. Unit is still fully operable.
Drill and input shaft are spinning but the capstan is NOT spinning	Output shaft key sheared due to overload from unapproved drill or motor	Remove output shaft, replace key and reassemble output shaft.
Drill is slipping off the input shaft	Drill chuck was tightened down onto the diameter of the input shaft and not the three flats	Remove the drill chuck from the input shaft. Reattach the drill chuck to the input shaft and ensure that the teeth of the drill chuck are mating properly with the three flats of the input shaft.
Capstan wall is not screwing into the capstan	Misalignment of the threads can be caused by interference between the capstan wall and the anti-backout tab on the capstan	Realign the threads of the capstan wall knob to be on axis with the capstan and ensure that the anti-backout tab on the capstan is inserted into the radial slots in the capstan wall. Then thread the capstan wall knob into the capstan.
The handle is spinning about the frame	Product was dropped or forcefully swung by the handle	Use a hex key or Allen wrench to tighten the handle screw down.
The input shaft is sliding off the gearbox	Product was dropped too hard or experienced significant vibration	Use a hex key or Allen wrench to tighten the input shaft screw down.
Line breaks during pull when exiting conduit	Line is rubbing on edge of conduit	Ensure pulling head is set up so line does not rub against edge of conduit and uses roller.
Line breaks near pulling head	Line is caught between head and roller	Position line so it runs over the roller, not beside it.
Line catches or breaks near capstan	Line is getting caught between capstan and frame	Position the line to spool around capstan with tension so as not to slip between capstan and frame.

Maintenance

Routinely inspect all aspects and components on the G1 Versi-Tugger to ensure puller is in proper working order prior to usage. If parts are missing or broken DO NOT USE and have the puller serviced at an authorized Greenlee Repair Center.

The gearbox is prefilled with high temperature synthetic lubricant. Therefore, no maintenance is required on the gearbox.

Exploded View and Parts Lists

Parts List – G1 Versi-Tugger

Key	Catalog No.	Description	Qty
1	G1-R12	Drill Strap	1
2		Gearbox.....	1
2A		Button Head Cap Screws (M6 x 18MM).....	3
3		Frame.....	1
4		Boom Adapter.....	1
4A		Boom Adapter Button Head Cap Screws (1/4"-20 x 3/4")	4
5	G1-R18	Monopod Adapter Kit.....	1
5A		Monopod Adapter.....	1
5B		Quick-Release Pin w/ Lanyard (1/4" x 2-1/4")	1
5C		Shoulder Screw (1/4" x 1-3/8").....	1
5D		Wing Screw (#10-32 x 1/2")	1
5E		Locknut (#10-24).....	1

Exploded View and Parts Lists (cont'd)
Parts List – G1 Versi-Tugger (cont'd)

Key	Catalog No.	Description	Qty
6	G1-R11	Input Shaft Kit	1
6A		<i>Input Shaft</i>	1
6B		<i>Key (1/8" x 1/8" x 1/2")</i>	1
6C		<i>Set Screw (5/16"-24 x 1/4")</i>	1
7	G1-R14	Boom Assembly Kit.....	1
7A		<i>Puller Head</i>	1
7B		<i>Puller Head Sheave</i>	1
7C		<i>Shoulder Screw (1/4" x 2-1/2")</i>	1
7D		<i>Locknut (#10-24)</i>	1
7E		<i>Bowtie Cotter Pin (1/16")</i>	1
7F		<i>Clevis Pin (1/4" x 1-1/4")</i>	1
7G		<i>Flange Bushing</i>	2
7H		<i>Quick-Release Pin w/ Lanyard (1/4" x 1-1/16")</i>	1
8	G1-R15	Handle Assembly Kit.....	1
8A		<i>Handle</i>	1
8B		<i>Handle Grip</i>	1
8C		<i>Handle Button Head Cap Screw (1/4" x 7/8")</i>	1
8D		<i>External Lock Washer (1/4")</i>	2
9	G1-R16	Capstan Assembly Kit.....	1
9A		<i>Capstan</i>	1
9B		<i>Capstan Shaft</i>	1
9C		<i>Key (3/16" x 3/16" x 1/2")</i>	1
9D		<i>Washer (3/4")</i>	2
9E		<i>External Retaining Ring (3/4")</i>	2
9F		<i>Split-Pin (1/4" x 1-3/4")</i>	1
10	G1-R13	Capstan Wall Kit.....	1
10A		<i>Capstan Wall</i>	1
10B		<i>Capstan Wall Knob</i>	1
10C		<i>Locknut (3/8"-16)</i>	1
11	G1-R19	Decal and Warnings Kit (not shown).....	1
11A		<i>Warning Decal</i>	1
11B		<i>G1 Capstan Wall Decal</i>	1
11C		<i>G1 Product Info Decal</i>	1
11D		<i>Greenlee Logo Decal</i>	1

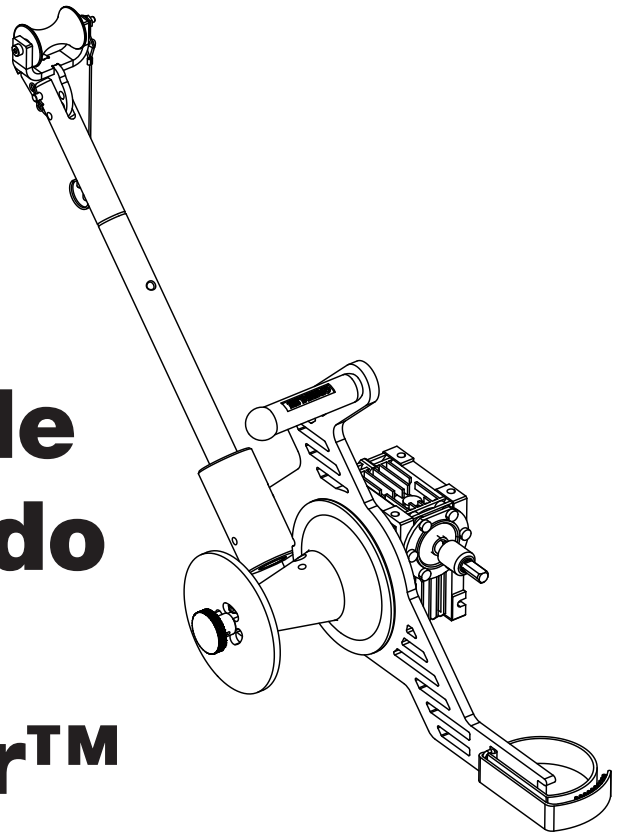
Exploded View and Parts Lists (cont'd)
Parts List – G1 Versi-Tugger (use assembly print to associate key to components) (cont'd)

Key	Catalog No.	Description	Qty
12	G1-R17	Hardware Kit	1
5D		Wing Screw (#10-32 x 1/2").....	1
6B		Key (1/8" x 1/8" x 1/2").....	1
9C		Key (3/16" x 3/16" x 1/2")	1
9D		Washer (3/4")	2
9E		External Retaining Ring (3/4")	2
13	G1-R20	Release Pin Kit.....	1
13A		Quick-Release Pin w/ Lanyard (1/4" x 2-3/16")	1
7H		Quick-Release Pin w/ Lanyard (1/4" x 1-1/16").....	1

MANUAL DE FUNCIONAMIENTO



Traccionador de cables accionado por taladro G1 Versi-Tugger™



Lea y entienda todas las instrucciones y la información de seguridad de este manual antes de utilizar o de reparar la máquina.

Registre este producto en www.greenlee.com

Índice

SEGURIDAD GENERAL	3-4
NORMAS DE SEGURIDAD ESPECÍFICAS	5-7
INTRODUCCIÓN A LA EXTRACCIÓN DE CABLES	
Glosario de extracción de cables.....	8
Planificación de la extracción.....	8
DESCRIPCIÓN FUNCIONAL	
Identificación	9-10
Especificaciones	11
FUNCIONAMIENTO	
Montaje del taladro inalámbrico en el traccionador de cables	12
Funcionamiento del cabezal y el brazo	13
Funcionamiento del traccionador.....	14-15
Bobinado de la línea de extracción/cinta de tracción	14
Montaje del cabrestante	15
Montaje de un monópode	16
Conexión de una extensión de brazo	17
VISTA AMPLIADA Y LISTAS DE PIEZAS	
Traccionador G1 Versi-Tugger.....	19-21

Descripción

El G1 Versi-Tugger™ de Greenlee está diseñado para traccionar cables a través de conductos y en bandeja. El G1 Versi-Tugger es un accesorio para taladros inalámbricos con agarre tipo pistola de 12-20 V. El G1, combinado con un talado estándar o un impulsor de martillo perforador, como el Makita XFD07, desarrollará hasta 1000 lb (4,45 kN). Consulte un catálogo de Greenlee para determinar las roldanas, las sogas de tiro y otros accesorios del traccionador de cables con el fin de crear un sistema completo de extracción de cables. Ningún manual puede brindarle instrucciones para todas las posibles aplicaciones de un traccionador de cables; este manual contiene información general necesaria para traccionar cables en diferentes tipos de instalaciones.

Seguridad

Es fundamental observar métodos seguros al utilizar y dar mantenimiento a herramientas y equipos Greenlee. Este manual de instrucciones y todas las marcas en la herramienta le ofrecen la información necesaria para evitar riesgos y hábitos poco seguros relacionados con su uso. Siga toda la información sobre seguridad que se proporciona.

Objetivo de este manual

Este manual tiene como propósito familiarizar a todo el personal con los procedimientos de operación y mantenimiento seguros para el traccionador de cables G1 Versi-Tugger de Greenlee.

Este manual debe estar disponible para todo el personal que lo necesite.

Puede obtener copias adicionales de manera gratuita, previa solicitud en www.greenlee.com.

Todas las especificaciones son nominales y pueden cambiar si se realizan mejoras en el diseño. Greenlee Tools, Inc. no se hace responsable de los daños que puedan surgir de la mala aplicación o el uso indebido de sus productos.

® Registrado: El color verde para los equipos de extracción de cables es una marca comercial registrada de Greenlee Tools, Inc.

GUARDE ESTE MANUAL

REGLAS DE SEGURIDAD GENERAL

ADVERTENCIA Lea todas las advertencias, las instrucciones, las ilustraciones y las especificaciones de seguridad que se incluyen junto con esta herramienta eléctrica. De no observarse todas las instrucciones indicadas a continuación podría producirse electrocución, incendio y/o lesiones graves.

GUARDE TODAS LAS ADVERTENCIAS Y LAS INSTRUCCIONES PARA REFERENCIA FUTURA.

El término “herramienta eléctrica” en las advertencias indicadas a continuación se refiere a sus herramientas eléctricas accionadas con cable eléctrico y a las herramientas accionadas con BATERÍAS (inalámbricas).

SEGURIDAD DEL ÁREA DE TRABAJO

Mantenga el área de trabajo limpia y bien iluminada. Las áreas desordenadas y oscuras propician accidentes.

No use herramientas eléctricas en atmósferas explosivas, como ocurre en presencia de líquidos, gases o polvos inflamables. Las herramientas eléctricas generan chispas que pueden encender el polvo o los vapores.

Mantenga alejados a los niños y a los observadores mientras opera una herramienta eléctrica. Las distracciones pueden causarle la pérdida del control.

SEGURIDAD EN MATERIA DE ELECTRICIDAD

Evite el contacto corporal con superficies conectadas a tierra tales como tuberías, radiadores, estufas y refrigeradores. Existe un mayor riesgo de electrocución si su cuerpo se conecta a tierra.

No exponga las herramientas eléctricas a la lluvia ni a condiciones de humedad. El agua que ingrese a una herramienta eléctrica aumentará el riesgo de electrocución.

SEGURIDAD PERSONAL

Esté alerta, vea lo que está haciendo y use el sentido común al operar una herramienta eléctrica. No use una herramienta eléctrica cuando esté cansado o esté bajo la influencia de drogas, alcohol o medicamentos. Un momento de descuido mientras opera herramientas eléctricas podría provocarles lesiones graves.

Use equipo de protección personal. Use siempre protección ocular. El equipo de protección, como las mascarillas contra polvo, zapatos de seguridad antideslizantes, cascos de seguridad o protección auditiva, utilizados para las condiciones apropiadas pertinentes, reducirá la probabilidad de lesiones personales.

Prevenga la puesta en marcha no intencional.

Asegúrese que el interruptor esté en la posición de apagado antes de conectar la alimentación eléctrica y/o el paquete de BATERÍAS, levantar la herramienta o transportarla. Transportar herramientas eléctricas con su dedo colocado en el interruptor o conectar herramientas eléctricas con el interruptor en la posición de encendido aumenta la probabilidad de accidentes.

Retire cualquier llave de ajuste o llave para tuercas antes de encender la herramienta eléctrica. Una llave para tuercas o la llave de ajuste que se deje acoplada a una pieza rotativa de la herramienta eléctrica pueden provocar lesiones personales.

No se extienda demasiado. Mantenga una postura correcta y el equilibrio en todo momento. Esto permite un mejor control de la herramienta eléctrica en situaciones inesperadas.

Use la ropa apropiada. No use ropa suelta ni joyas. Mantenga su cabello, ropa y guantes alejados de las partes móviles. La ropa suelta, la joyería o el cabello largo pueden quedar atrapados en las partes móviles.

Si se suministran dispositivos para la conexión de extracción de polvo y aditamentos recolectores, asegúrese que estos se encuentren conectados debidamente y se usen correctamente. La recolección de polvo puede reducir los peligros relacionados con el polvo.

No permita que la familiaridad que se logra por usar ciertas herramientas de manera frecuente se convierta en una complacencia que le haga ignorar los principios de seguridad de esas herramientas. Una acción poco cuidadosa puede causar lesiones graves en una fracción de segundo.

USO Y CUIDADO DE HERRAMIENTAS ELÉCTRICAS

No fuerce la herramienta eléctrica. Use la herramienta eléctrica apropiada para su aplicación. La herramienta eléctrica apropiada hará mejor el trabajo, con mayor seguridad a la velocidad para la cual está diseñada.

No use la herramienta eléctrica si el interruptor no la enciende o no la apaga. Cualquier herramienta que no se pueda controlar con el interruptor es peligrosa y debe ser reparada.

Desconecte el enchufe de la fuente de alimentación eléctrica y/o desconecte el paquete de BATERÍAS (si es extraíble) de la herramienta eléctrica antes de realizar cualquier ajuste, cambiar accesorios o guardar las herramientas eléctricas. Estas medidas de seguridad preventivas reducen el riesgo de encender accidentalmente la herramienta eléctrica.

Guarde las herramientas eléctricas apagadas fuera del alcance de los niños y no permita que personas que no conozcan la herramienta eléctrica o estas instrucciones operen la herramienta eléctrica. Las herramientas eléctricas son peligrosas en las manos de usuarios sin entrenamiento.

REGLAS DE SEGURIDAD GENERAL (cont.)

Mantenga las herramientas eléctricas y los accesorios. Verifique que no haya desalineación y agarrotamiento de partes móviles, ruptura de componentes ni cualquier otra condición que pueda afectar el funcionamiento de la herramienta eléctrica. Si está dañada, haga reparar la herramienta eléctrica antes de usarla. Muchos accidentes son causados por herramientas eléctricas con mantenimiento deficiente.

Mantenga las herramientas de corte bien afiladas y limpias. Las herramientas de corte que reciben el mantenimiento debido, con bordes de corte filosos, tienen menos probabilidades de entramparse y son más fáciles de controlar.

Use la herramienta eléctrica, los accesorios y las puntas o las brocas de la herramienta, etc. de conformidad con estas instrucciones, tomando en cuenta las condiciones de trabajo y el trabajo a realizar. El uso de la herramienta eléctrica en operaciones diferentes a las previstas podría provocar una situación peligrosa.

Mantenga las manijas y las superficies de agarre secas, limpias y libres de aceite y grasa. Las manijas y las superficies de agarre resbaladizas no permiten un manejo y un control seguros de la herramienta en situaciones inesperadas.

SERVICIO

Haga reparar su herramienta eléctrica por un técnico calificado que utilice solamente repuestos idénticos. Esto garantizará el mantenimiento de la seguridad de la herramienta eléctrica.

REGLAS DE SEGURIDAD ESPECÍFICAS Y SÍMBOLOS



SÍMBOLO DE ALERTA DE SEGURIDAD

Este símbolo se utiliza para indicar un riesgo o práctica poco segura que podría ocasionar lesiones o daños materiales. La palabra que está al lado del símbolo indica la gravedad del peligro, tal y como se muestra a continuación. El mensaje que sigue a esta palabra proporciona información para prevenir o evitar el peligro.

⚠ PELIGRO

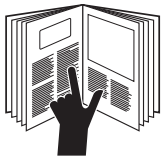
Peligros inmediatos que, si no se evitan, CAUSARÁN lesiones graves o fatales.

⚠ ADVERTENCIA

Peligros que, si no se evitan, PUEDEN CAUSAR lesiones graves o fatales.

⚠ ATENCIÓN

Peligros o prácticas no seguras que, si no se evitan, PODRÍAN CAUSAR lesiones o daños materiales.



⚠ PELIGRO

Lea y entienda todas las instrucciones y la información de seguridad de este manual antes de utilizar o de reparar la máquina.

No prestar atención a esta advertencia causará lesiones graves o fatales.



⚠ PELIGRO

No accione el traccionador de cables en un entorno peligroso. Algunos ejemplos de entornos peligrosos se producen alrededor de líquidos y gases.

No prestar atención a esta advertencia causará lesiones graves o fatales.

⚠ ADVERTENCIA

No utilice esta herramienta cerca de circuitos activados. Apague y bloquee la energía eléctrica al trabajar cerca de circuitos existentes.

⚠ ADVERTENCIA



Antes de instalar el traccionador de cables, inspeccione y verifique la capacidad máxima de carga o la resistencia máxima de todos los apoyos estructurales, de los componentes del sistema de tracción y de los sistemas de anclaje. Cualquier componente que no resista las fuerzas máximas de tracción de cables puede romperse y golpear al personal con suficiente fuerza para causar lesiones graves o fatales.

⚠ ADVERTENCIA



No permita que nada que no sea la línea de tracción haga contacto con el cabrestante. Una abrazadera, una placa giratoria u otro componente podría romperse y golpear al personal que se encuentra en el área.

No prestar atención a esta advertencia puede causar lesiones graves o fatales.

⚠ ADVERTENCIA



No se pare directamente frente a una operación de tracción vertical. El cable podría caerse repentinamente del conducto y lesionar al personal que se encuentre en el área.

No prestar atención a esta advertencia puede causar lesiones graves o fatales.

⚠ ADVERTENCIA

Use solo líneas de extracción aprobadas e inspeccione las líneas de extracción antes de su uso. Nunca utilice líneas de tracción con una clasificación menor a la requerida para la aplicación. Entre las líneas de extracción aprobadas se encuentran: cinta de tracción, cinta de medición y línea de extracción (polietileno). NO utilice cadenas, líneas o cables que no estén diseñados para la extracción de cables, por ejemplo, cables de uso general. No prestar atención a esta advertencia puede causar lesiones graves o fatales.

REGLAS DE SEGURIDAD ESPECÍFICAS Y SÍMBOLOS

⚠️ ADVERTENCIA

Una soga de tiro gastada o sin capacidad suficiente puede romperse y azotar violentamente. Utilice una soga de tracción de cables con las siguientes características:

- Capacidad nominal máxima: al menos 1500 lb (6,7 kN)
- Resistencia de rotura promedio: al menos 6000 lb (26,7 kN)
- Rango de diámetro de cuerda: 1/4 in a 1/2 in

No prestar atención a esta advertencia puede causar lesiones graves o fatales.

⚠️ ADVERTENCIA

La soga, el cable, o un dispositivo de conexión pueden romperse bajo tensión y causar que la soga azote violentamente.

- No permita que personal innecesario permanezca en el área durante la operación de tracción.
- No permita que personal alguno se pare en línea con la soga de tracción.

De no observarse estas advertencias, podrían producirse lesiones graves o fatales.

⚠️ ADVERTENCIA

- Verifique la condición de toda la longitud de la soga antes de cada uso. Una soga dañada o gastada se puede romper bajo tensión y azotar violentamente.
- No mantenga la soga fija cuando el cabrestante esté girando. El desgaste generado puede causar que la soga se rompa bajo tensión y azote violentamente.

No prestar atención a estas advertencias puede causar lesiones graves o fatales.

⚠️ ADVERTENCIA

- No permita que la soga se traslape en el cabrestante. Si la soga se acerca a la superficie superior de la parte inclinada del cabrestante, afloje la fuerza de tracción. Si ocurre un traslape, apague el traccionador de cables inmediatamente.

No prestar atención a estas advertencias puede causar lesiones graves o fatales.

⚠️ ADVERTENCIA

Acople la soga de tiro al cable con los tipos de conectores apropiados. Seleccione los conectores con una capacidad nominal máxima de 1500 lb (6,7 kN). Un conector con capacidad menor a la requerida puede romperse bajo tensión.

No prestar atención a esta advertencia puede causar lesiones graves o fatales.

⚠️ ADVERTENCIA

Use el G1 Versi-Tugger solo con taladros inalámbricos de 12 V-20 V que posean un agarre tipo pistola. No use el G1 Versi-Tugger con taladros con cable, taladros inalámbricos de ángulo recto, taladros inalámbricos con agarres de manija en forma de D o espada, taladros de percusión o taladros inalámbricos con agarre tipo pistola con un voltaje nominal mayor a 20 V.

⚠️ ADVERTENCIA

NO supere la fuerza de extracción nominal máxima de 1000 lb. No prestar atención a esta advertencia puede causar lesiones graves o fatales.

⚠️ ADVERTENCIA

Utilice la herramienta únicamente para el propósito para el que ha sido diseñada por el fabricante. No use el traccionador de cables como grúa o gúinche.

- No se puede usar el traccionador de cables para bajar una carga.
- Se puede caer la carga.

No prestar atención a esta advertencia puede causar lesiones graves o fatales.



⚠️ ADVERTENCIA

Mantenga las manos alejadas del cabrestante. La soga en el cabrestante puede aplastar una mano.

No prestar atención a esta advertencia puede causar lesiones graves o fatales.



⚠️ ADVERTENCIA

No enrolle la soga alrededor de las manos, los brazos, la cintura u otras partes del cuerpo. No se pare sobre bobinas gastadas o sogas enrolladas. Sujete la soga de manera que pueda liberarse rápidamente.

No prestar atención a esta advertencia puede causar lesiones graves o fatales.

REGLAS DE SEGURIDAD ESPECÍFICAS Y SÍMBOLOS

⚠️ ADVERTENCIA

Revise el traccionador de cables y los accesorios antes de utilizarlos. Reemplace los componentes desgastados o dañados con piezas de repuesto de Greenlee. Un elemento dañado o montado de forma incorrecta puede romperse y golpear violentamente a quienes estén a su alrededor.

No prestar atención a esta advertencia puede causar lesiones graves o fatales.

⚠️ ADVERTENCIA

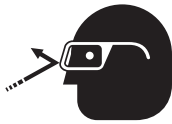
No amarre o ajuste el gatillo para correr el taladro eléctrico continuamente.

⚠️ ADVERTENCIA

Riesgo de enredo:

- No accione el traccionador de cables si lleva puesta vestimenta holgada.
- Recójase el cabello largo.

No prestar atención a estas advertencias puede causar lesiones graves o fatales.



⚠️ ADVERTENCIA

Use protección para los ojos cuando utilice esta herramienta.

Las partículas de material que saltan y salen volando pueden ocasionar lesiones oculares graves si no se usan protectores para los ojos.



⚠️ ADVERTENCIA

Utilice guantes al manejar esta herramienta.

Las partículas de material que saltan y salen volando pueden ocasionar lesiones graves si no se usan guantes.

⚠️ ADVERTENCIA

No cambie o modifique el G1 Versi-Tugger en ninguna forma. Esto incluye pero no está limitado a reforzar artificialmente los componentes o usar llaves cuadradas no proveídos por Greenlee. En adición, no monte o adjunte a otro objeto.

INTRODUCCIÓN A LA EXTRACCIÓN DE CABLES

Glosario de tracción de cables

sistema de anclaje

cualquier artículo o grupo de artículos que ayuda a mantener en posición un componente de tracción de cables durante esta operación

cabrestante

el cilindro cónico del traccionador de cables que actúa sobre la sogá de tiro para generar la fuerza de tracción

conector

cualquier artículo, como una abrazadera de cable, una horquilla, una placa giratoria o una abrazadera de tracción, que conecte la sogá al cable

línea directa de tiro

las áreas adyacentes a la sogá de tiro y a lo largo de su trayectoria; esto incluye las áreas ubicadas adelante, atrás y debajo de la sogá

capacidad nominal máxima

la fuerza de tracción que cualquier componente puede resistir de manera segura, medida en kilonewtons (métrico) o libras; la capacidad nominal máxima de cada componente debe alcanzar o exceder la máxima fuerza de tracción del traccionador de cables

agarre de tracción

conecta la sogá al cable; consiste en una canastilla de malla de alambre que se desliza sobre el cable y sujeta el aislamiento

fuerza de tracción

la fuerza de tensión desarrollada por el traccionador de cables, medida en newtons (métrico) o libras; un traccionador de cables usualmente se define por la máxima fuerza de tracción que puede desarrollar

roldana

una polea que cambia la dirección de la sogá y del cable

estructura de soporte

cualquier objeto fijo al que está anclado un componente del sistema de tracción de cables, como el piso de concreto (para el montaje al piso) o una viga en I (para una roldana)

cola

la porción de la sogá sobre la que el operador aplica fuerza; esta es la sogá que sale del cabrestante, y no se encuentra bajo la tensión del traccionador de cables

tiro de la cola de la sogá

la función principal del operador; este es el proceso de aplicar fuerza a la cola de la sogá de tiro (en "Principios de tracción de cables" se incluye la explicación completa de esta función)

abrazadera de cable

conecta la sogá al cable; algunas abrazaderas utilizan un tornillo prisionero para fijarse a los conductores del cable

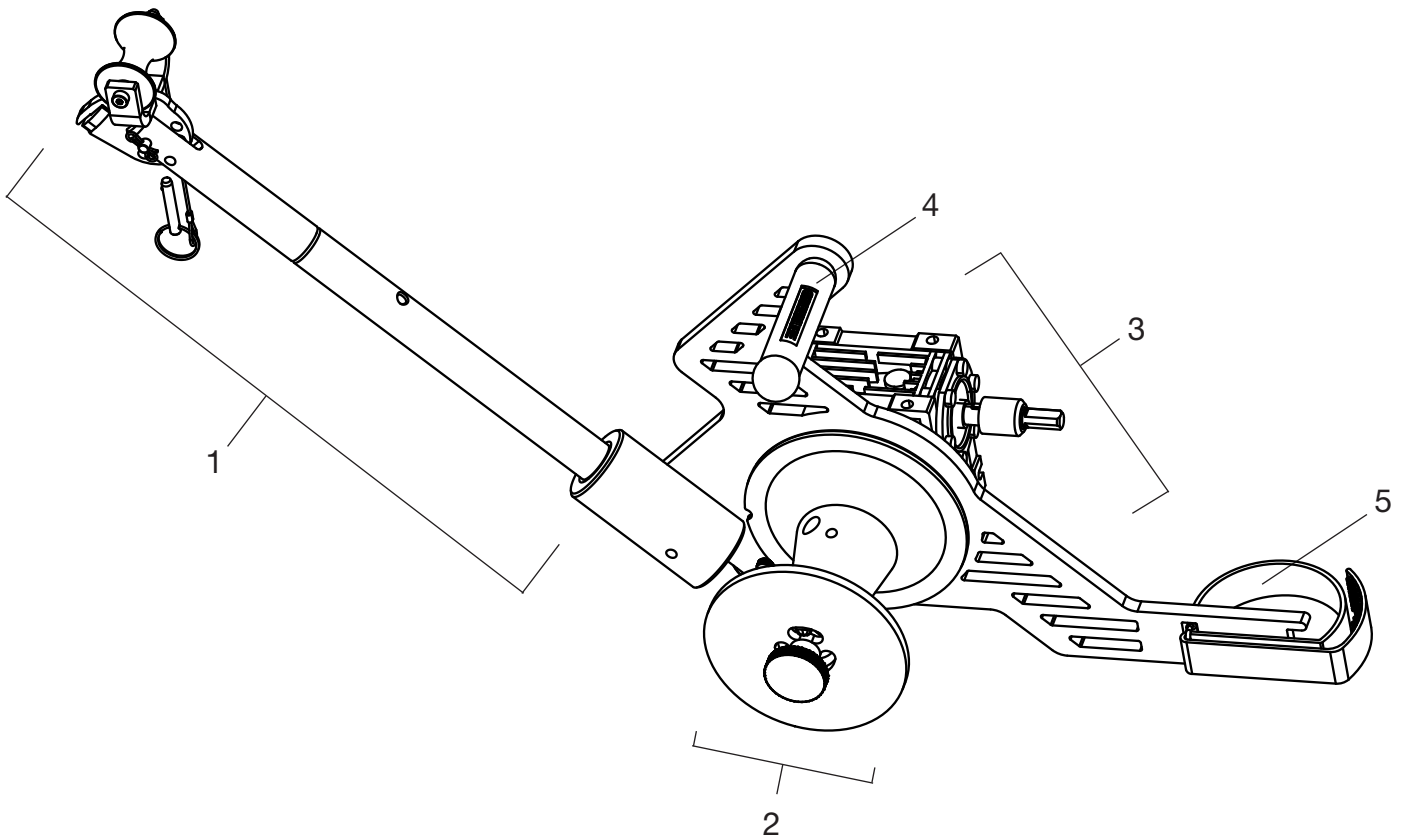
Planificación de la tracción del cable

- Efectúe la operación en una dirección que requiera la mínima fuerza de tracción.
- Planifique una mayor cantidad de tracciones más cortas en lugar de tracciones más largas pero en menos cantidad.
- Coloque el traccionador de cables lo más cerca posible del extremo del conducto para minimizar la cantidad de sogá expuesta y bajo tensión.
- Coloque cada uno de los componentes de manera que las fuerzas de tracción se utilicen eficazmente.
- Verifique que cada componente tenga la capacidad de carga apropiada.
- Inspeccione los apoyos estructurales. Verifique que tengan la fuerza suficiente para resistir la máxima fuerza que pueda generarse.

DESCRIPCIÓN FUNCIONAL

Identificación

1. Ensamble del brazo
2. Ensamble de cabrestante y pared de cabrestante
3. Ensamble de sistema de engranajes
4. Sistema de manijas
5. Correa del taladro

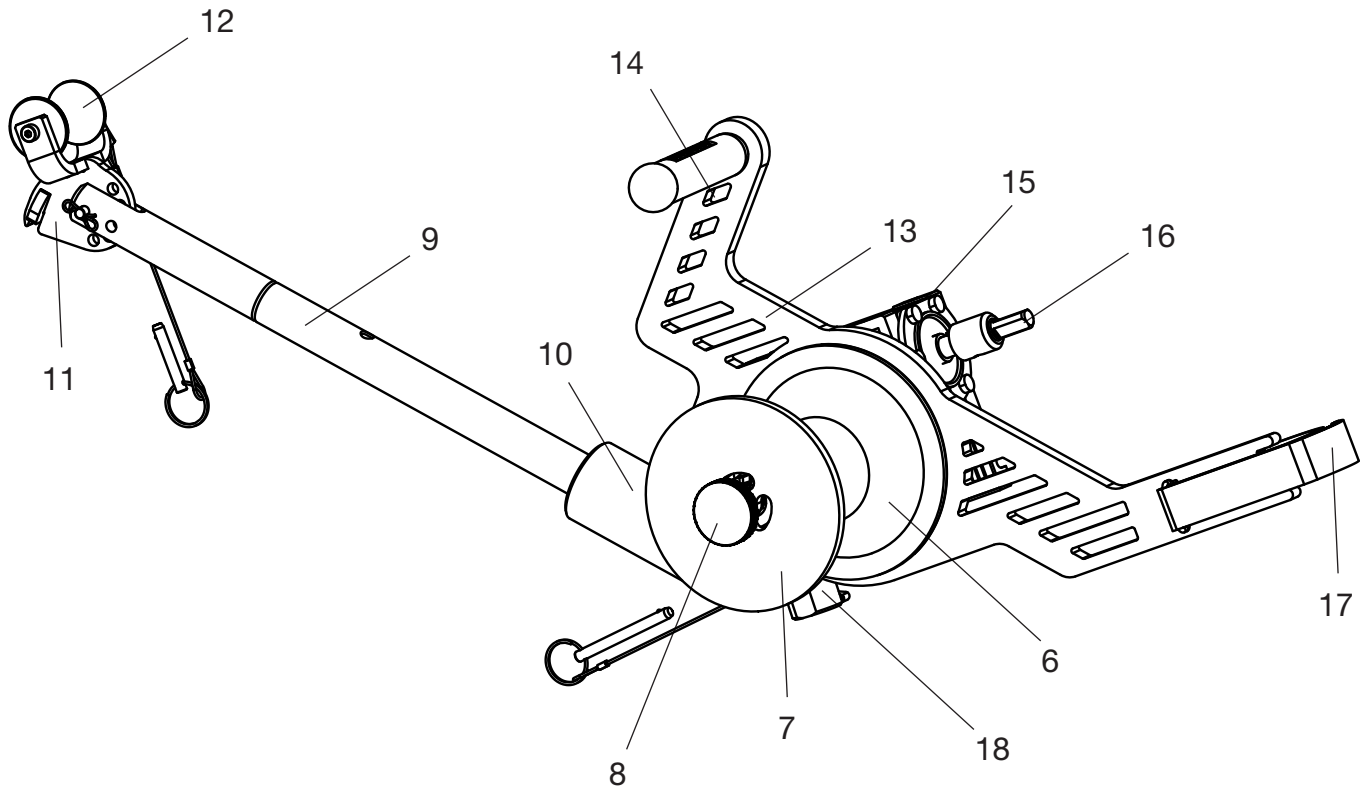


Nota: Para acceder a vistas ampliadas en detalle, consulte la sección Vistas ampliadas y listas de piezas de este manual o consulte el manual de servicio del G1 Versi-Tugger.

Identificación (cont.)

Componentes del ensamble

- | | |
|---------------------------------------|----------------------------|
| 6. Cabrestante | 13. Bastidor |
| 7. Pared de cabrestante | 14. Manija |
| 8. Perilla de pared de cabrestante | 15. Caja de engranajes |
| 9. Brazo | 16. Eje de entrada |
| 10. Adaptador de brazo | 17. Correa del taladro |
| 11. Cabezal de extracción | 18. Adaptador del monópode |
| 12. Roldana del cabezal de extracción | |



Especificaciones

Peso (con brazo).....13,8 lb (6,3 kg)

Dimensiones

Longitud (con brazo)32,1 in (81,5 cm)

Ancho9,7 in (24,6 cm)

Altura 10,5 in (26,7 cm)

Se adapta a tamaños de conducto de 1/2 in - 4 in

Compatible con soga/línea de extracción..... Línea de extracción (línea de polietileno), cinta de medición de poliaramida y poliéster (cinta de tracción), soga de tiro de 1/4 in a 1/2 in

⚠ ADVERTENCIA

Use el G1 Versi-Tugger solo con taladros inalámbricos de 12 V-20 V que posean un agarre tipo pistola. No use el G1 Versi-Tugger con taladros con cable, taladros inalámbricos de ángulo recto, taladros inalámbricos con agarres de manija en forma de D o espada, taladros de percusión o taladros inalámbricos con agarre tipo pistola con un voltaje nominal mayor a 20 V.

	BAJO	ALTO
Velocidad sin carga* (Bobinado de línea de polietileno 430)	83 pies/min (25,3 m/min)	308 pies/min (93,9 m/min)

*Supone una salida de taladrado en baja velocidad = 500 RPM y en alta velocidad = 2000 RPM *Nota: La velocidad de extracción depende del rendimiento del taladro inalámbrico*

Fuerza de tracción

Máx./pico 1000 lb

Constante.....hasta 600 lb

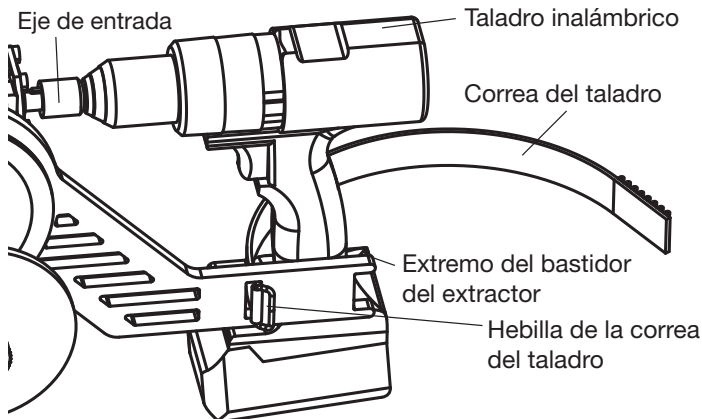
FUNCIONAMIENTO

Montaje del taladro inalámbrico en el traccionador de cables

⚠ ADVERTENCIA

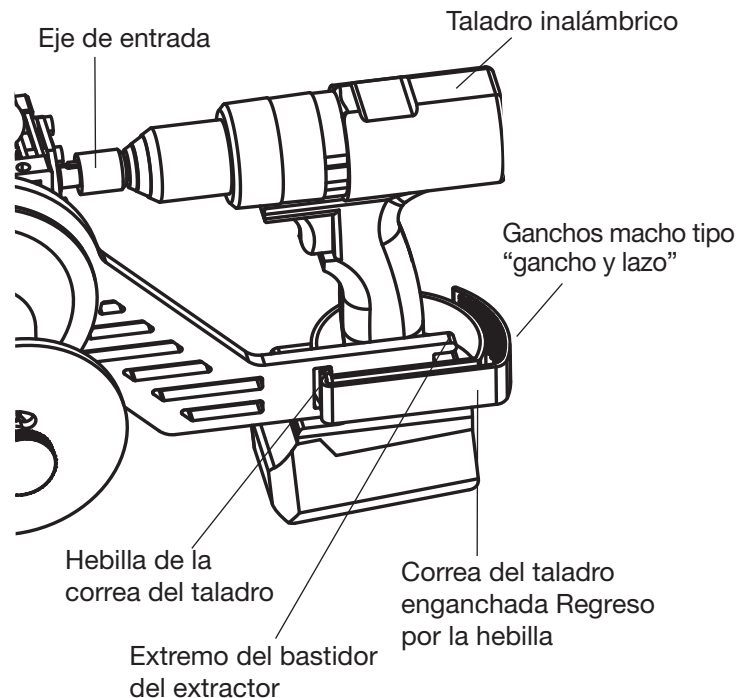
El uso de la correa del taladro con el G1 es obligatorio para un funcionamiento seguro. De no observarse esta advertencia, pueden sufrirse lesiones.

1. Afloje el taladro inalámbrico lo suficiente para que acepte el eje de entrada.
2. Ajuste el mandril del taladro inalámbrico en el eje de entrada. Asegúrese de que el mandril del taladro esté completamente asentado en las tres partes planas del eje de entrada.
3. Envuelva el extremo de la correa del taladro de gancho y lazo alrededor del agarre del taladro inalámbrico y el extremo del bastidor del extractor.
4. Inserte el extremo de la correa a través de la hebilla en el lado opuesto del bastidor igual que la taladradora. Tire del extremo de la correa del taladro a través de la hebilla.
5. Ajuste la correa con firmeza y ajuste los ganchos en el extremo de la correa a los lazos en el cuerpo de la correa.
6. Asegúrese de que la correa esté libre de daños y suciedad y de que los ganchos estén completamente acoplados con los lazos de la correa del taladro.



⚠ ADVERTENCIA

Use el G1 Versi-Tugger solo con taladros inalámbricos de 12 V-20 V que posean un agarre tipo pistola. No use el G1 Versi-Tugger con taladros con cable, taladros inalámbricos de ángulo recto, taladros inalámbricos con agarres de manija en forma de D o espada, taladros de percusión o taladros inalámbricos con agarre tipo pistola con un voltaje nominal mayor a 20 V.



Funcionamiento del cabezal y el brazo

El G1 Versi-Tugger está equipado con un sistema de cabezal y de brazo de varias posiciones. El cabezal de extracción tiene 5 posiciones y el brazo tiene 4 posiciones.

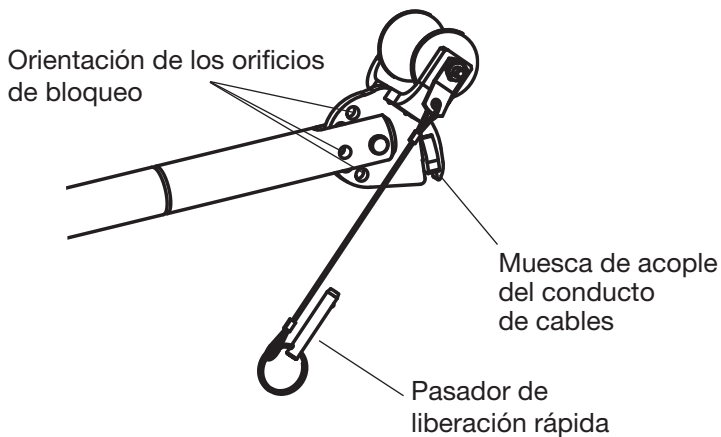
Para ajustar la posición o la orientación del cabezal o el brazo del extractor:

- Quite el pasador de liberación rápida correspondiente
- Vuelva a orientar el componente hacia la posición deseada
- Vuelva a insertar el pasador de liberación rápida

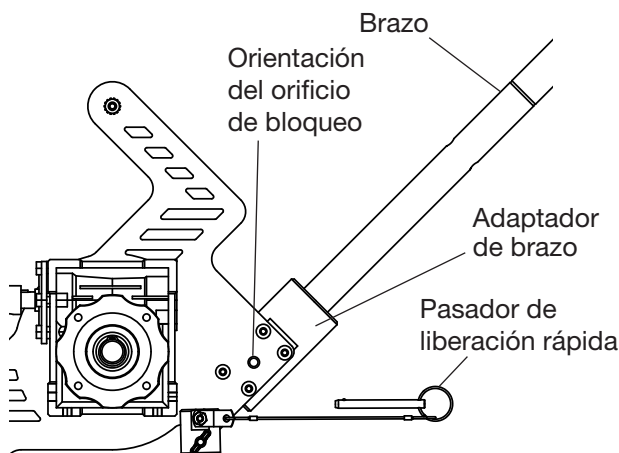
Independientemente de la situación, siempre asegúrese de que la muesca del conducto de cables se acople correctamente con el conducto o la tuerca de conducto. Además, oriente siempre el cabezal de forma tal que la soga o la línea de extracción no se frote con el borde del conducto o con los componentes fijos del extractor.

Aunque cada una de las situaciones de extracción tiene requerimientos de configuración únicos, las posiciones típicas de deslizamiento hacia arriba, extracción hacia abajo y extracción lateral se muestran a continuación:

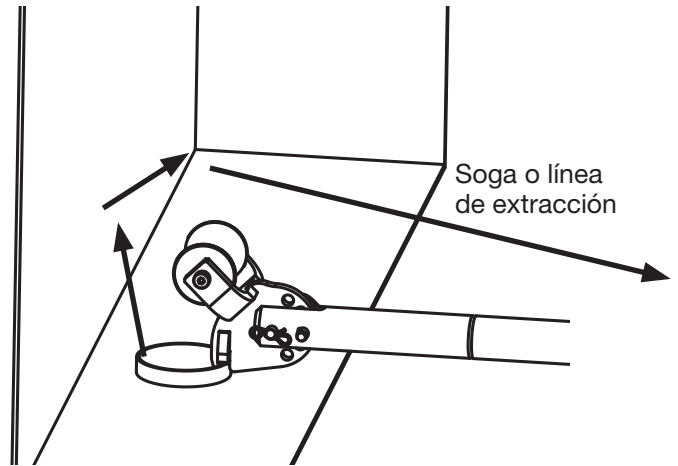
1. Pasador y conducto de ajuste del cabezal Muesca de acople



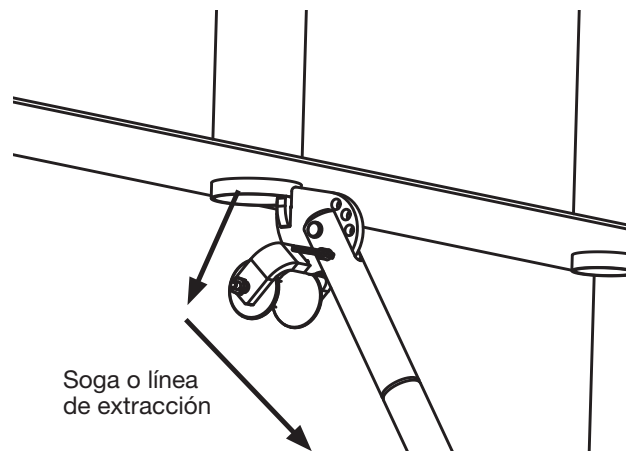
2. Pasador de ajuste del brazo



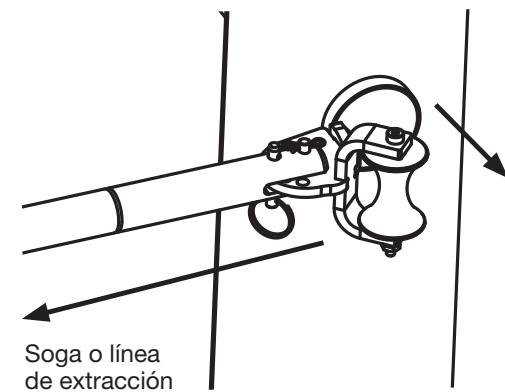
3. Orientación del cabezal de empuje hacia arriba



4. Orientación del cabezal de empuje hacia abajo



5. Orientación de extracción lateral



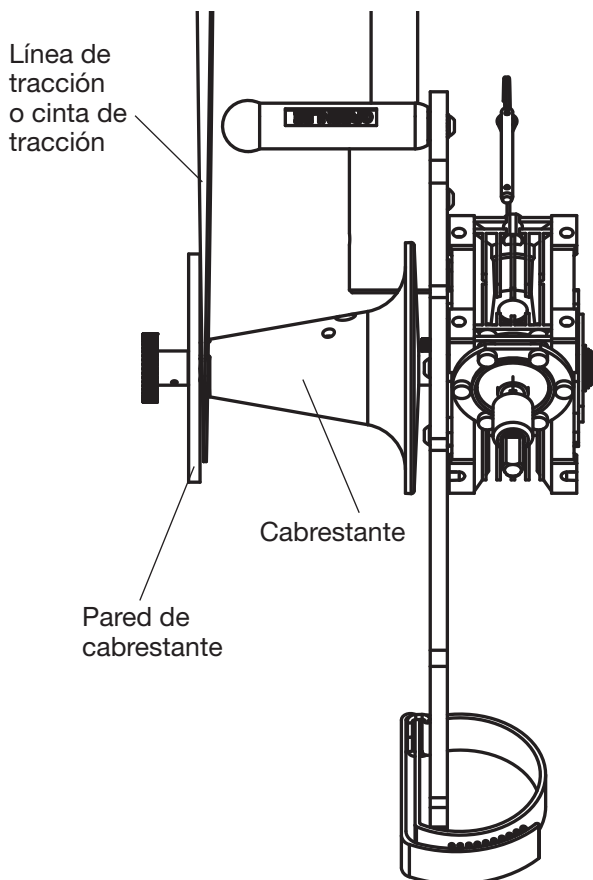
Nota: Las líneas en el brazo indican el punto de acople de cada tramo al alinearse con la parte superior del montaje. Es posible que sea necesario girar el brazo para poder acoplarlo.

Instalación y funcionamiento del traccionador

Bobinado de la línea de extracción/cinta de tracción

INSTALACIÓN

1. Ancle la línea/cinta de extracción al cabrestante.
Las dos formas de anclar la línea al cabrestante se muestran a continuación:
 - A. Enrosque la línea a través del orificio grande en el cabrestante y haga un nudo.
-O BIEN-
 - B. Tome el extremo de la línea y fíjela con una abrazadera entre el cabrestante y la pared del cabrestante. Esto se puede lograr desatornillando la pared del cabrestante aproximadamente a mitad de camino. Luego tome el extremo de la línea y colóquelo entre el cabrestante y la pared del cabrestante. Por último, atornille la pared del cabrestante firmemente en su lugar contra el cabrestante.



2. Ajuste la orientación y la posición del cabezal y del brazo; si es necesario, asegúrese de que la línea/cinta esté anclada en el cabrestante (consulte la página anterior, "Funcionamiento del cabezal y el brazo"). No olvide asentar completamente la muesca del conducto de cables contra el conducto o la tuerca del conducto antes de comenzar a traccionar.

FUNCIONAMIENTO

1. Luego de configurar correctamente el extractor, puede comenzar el proceso de extracción.
2. Con el taladro inalámbrico conectado al G1 Versi-Tugger (consulte la página 13, "Montaje del taladro inalámbrico al traccionador") y la dirección de giro del taladro inalámbrico configurada como FORWARD (Adelante) o CLOCKWISE (En sentido horario)*, presione el gatillo del taladro inalámbrico para que comience a girar el cabrestante.
3. Cuando gire el cabrestante, la línea de extracción o la cinta de extracción comenzarán a bobinarse.
 - NO intente tocar ni desplazar la línea mientras gira el cabrestante. Si se necesita un ajuste, detenga el taladro antes de realizarlo.
 - Al tirar de un hilo o cable, se recomienda que el taladro inalámbrico funcione a baja velocidad para evitar dañar el cable durante el proceso de extracción. Otros casos de extracción de cables con baja fuerza, como tirar de la cuerda hacia el conducto con la línea de tracción (como preparación para una extracción de cable más grande) pueden funcionar a alta velocidad si se desea.
4. Una vez finalizada la extracción del cable, se puede quitar la línea de extracción o la cinta de extracción. En primer lugar, separe la tubería de extracción o la cinta de tracción de la soga, el cable o la soga que se haya extraído.
5. Para quitar la línea/cinta de extracción cuando se completa la extracción, desatornille la perilla de la pared del cabrestante. Una vez completamente desatornillada, retire la pared del cabrestante.
6. Para quitar la bobina de la línea o de la cinta del cabrestante, sujete la línea/cinta y deslícela hacia fuera del cabrestante.
7. Después de quitar la línea de extracción o la cinta de extracción del cabrestante, atornille la pared del cabrestante nuevamente en el cabrestante.



*Consulte las instrucciones del fabricante del taladro.

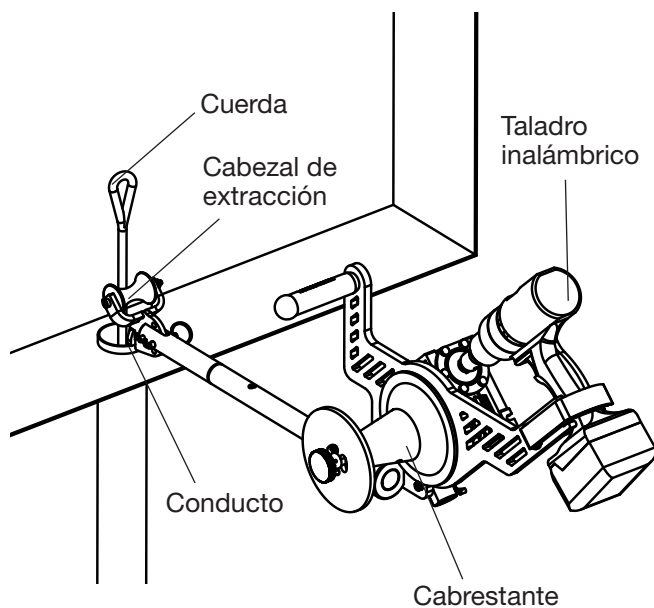
Instalación y funcionamiento del traccionador (cont.)

Montaje del cabrestante: sogas de tiro o cinta de extracción

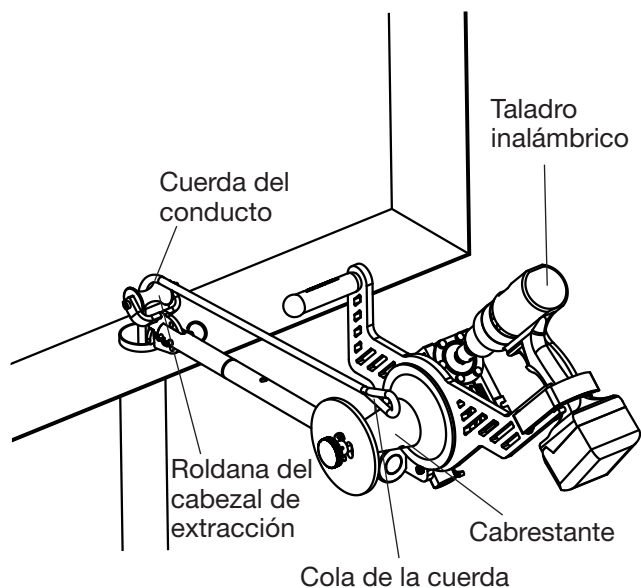
INSTALACIÓN

Para utilizar el G1 Versi-Tugger con un cabrestante y sogas (de 1/4 in a 1/2 in de diámetro), primero debe configurar el extractor.

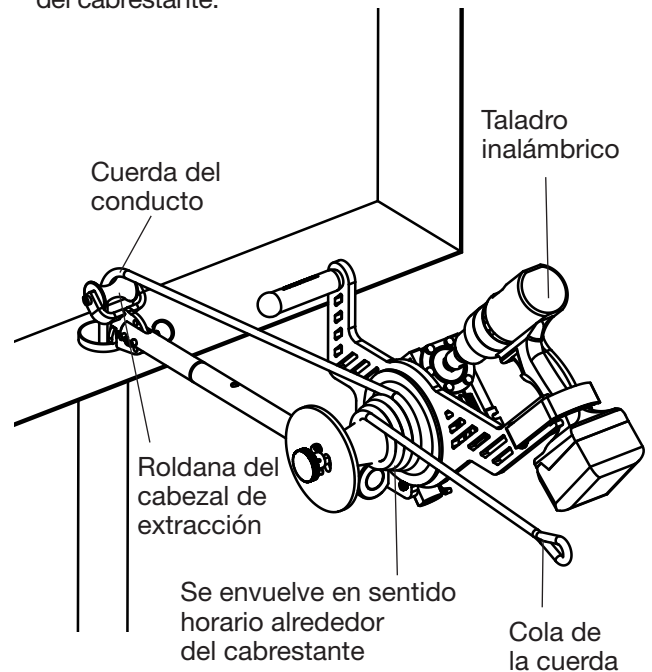
1. Ajuste la orientación y la posición del cabezal y del brazo (si es necesario, consulte la p. 14, "Funcionamiento del cabezal y el brazo"). No olvide asentar completamente la muesca del conducto de cables contra el conducto o la tuerca del conducto antes de comenzar a traccionar.



2. Enrute el cable del conducto sobre la roldana del cabezal de extracción y hacia el cabrestante.



3. Envuelva la sogas en sentido horario, como es costumbre con los traccionadores de cables convencionales, alrededor del cabrestante con el extremo de la sogas de tiro en dirección hacia la pared del cabrestante.



FUNCIONAMIENTO

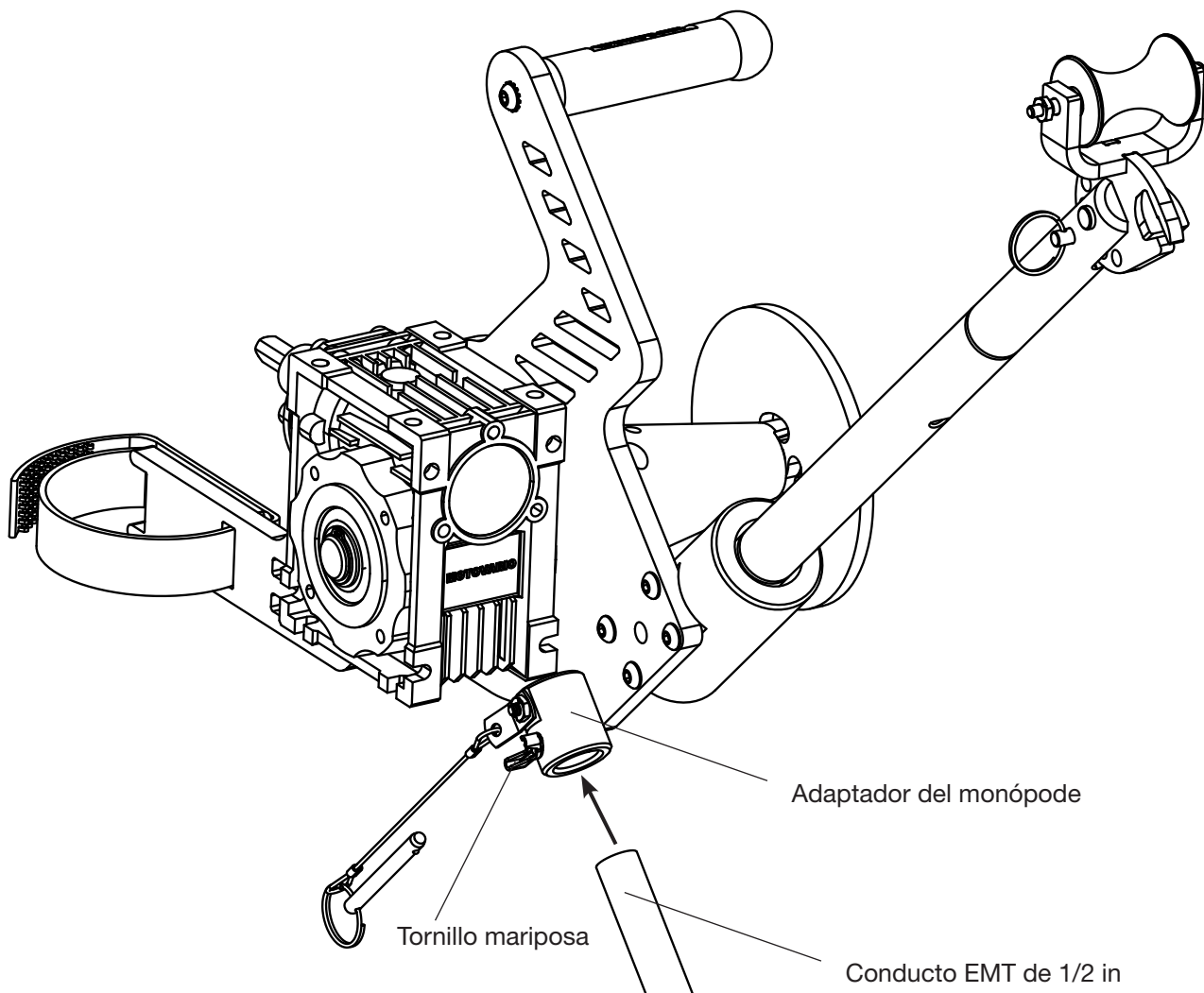
4. Con el taladro inalámbrico conectado al G1 Versi-Tugger (consulte la p. 13, "Montaje del taladro inalámbrico al traccionador") y la dirección de giro del taladro inalámbrico configurada como FORWARD (Adelante) o CLOCKWISE (En sentido horario), presione el gatillo del taladro inalámbrico. El cabrestante comenzará a girar.
5. Con la mano que no acciona el taladro, tire del extremo de la sogas mientras gira el cabrestante. La sogas comenzará a tirar del cable y se producirá una compensación, como sucede con los traccionadores de cables convencionales.
 - Si la sogas se desengancha del cabrestante y comienza a deslizarse, detenga el taladro y añada más vueltas de sogas al cabrestante.
 - Al tirar de un hilo o cable, se recomienda que el taladro inalámbrico funcione a baja velocidad para evitar dañar el cable durante el proceso de extracción. Si lo desea, puede ejecutar otros escenarios de extracción de cables de baja fuerza a alta velocidad.
6. Una vez finalizada la extracción, la sogas puede desenvolverse del cabrestante en sentido antihorario.

*Consulte las instrucciones del fabricante.

Opcional: Montaje de un monópode

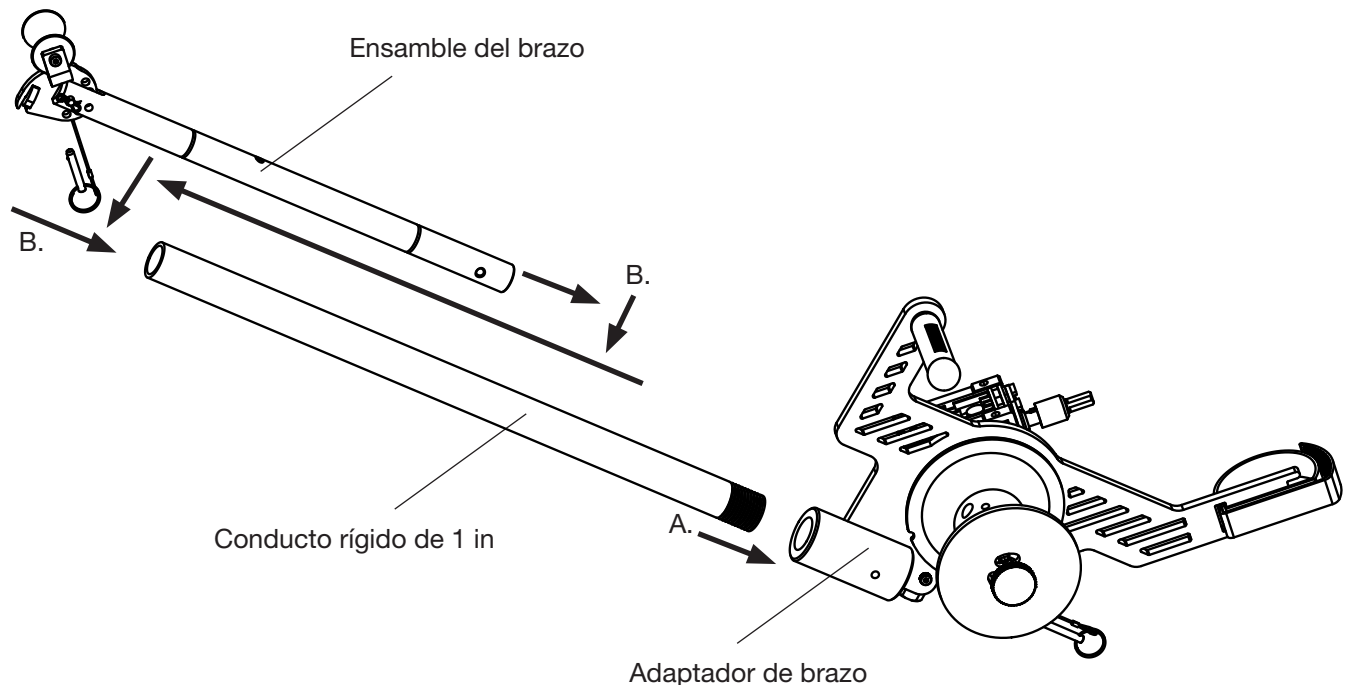
1. Corte una pieza de conducto EMT de 1/2 in con la longitud deseada.
2. Inserte el conducto en el adaptador del monópode.
3. Afloje el tornillo mariposa hasta que el conducto se asiente completamente en la parte inferior del adaptador del monópode.
4. Apriete el tornillo mariposa hasta sujetar con firmeza el conducto.

*Tenga cuidado al apretar el tornillo mariposa, ya que un apriete excesivo puede ocasionar que se desgasten las roscas del adaptador del monópode.



Opcional: Conexión de una extensión de brazo

1. Si es necesario, seleccione una pieza del conducto rígido de 1 in y corte hasta la longitud deseada. Asegúrese de dejar un extremo roscado intacto.
2. Quite el ensamblaje del brazo del G1 Versi-Tugger. (Consulte la p. 14 para obtener instrucciones adicionales).
3. Enrosque el conducto rígido de 1 in en el adaptador del brazo. (A)
4. Inserte el ensamblaje del brazo en el extremo del conducto que no está roscado en el G1. (B)
5. Tenga cuidado al utilizar una extensión de brazo de conducto, ya que el peso del G1 Versi-Tugger se incrementará significativamente.



Solución de problemas

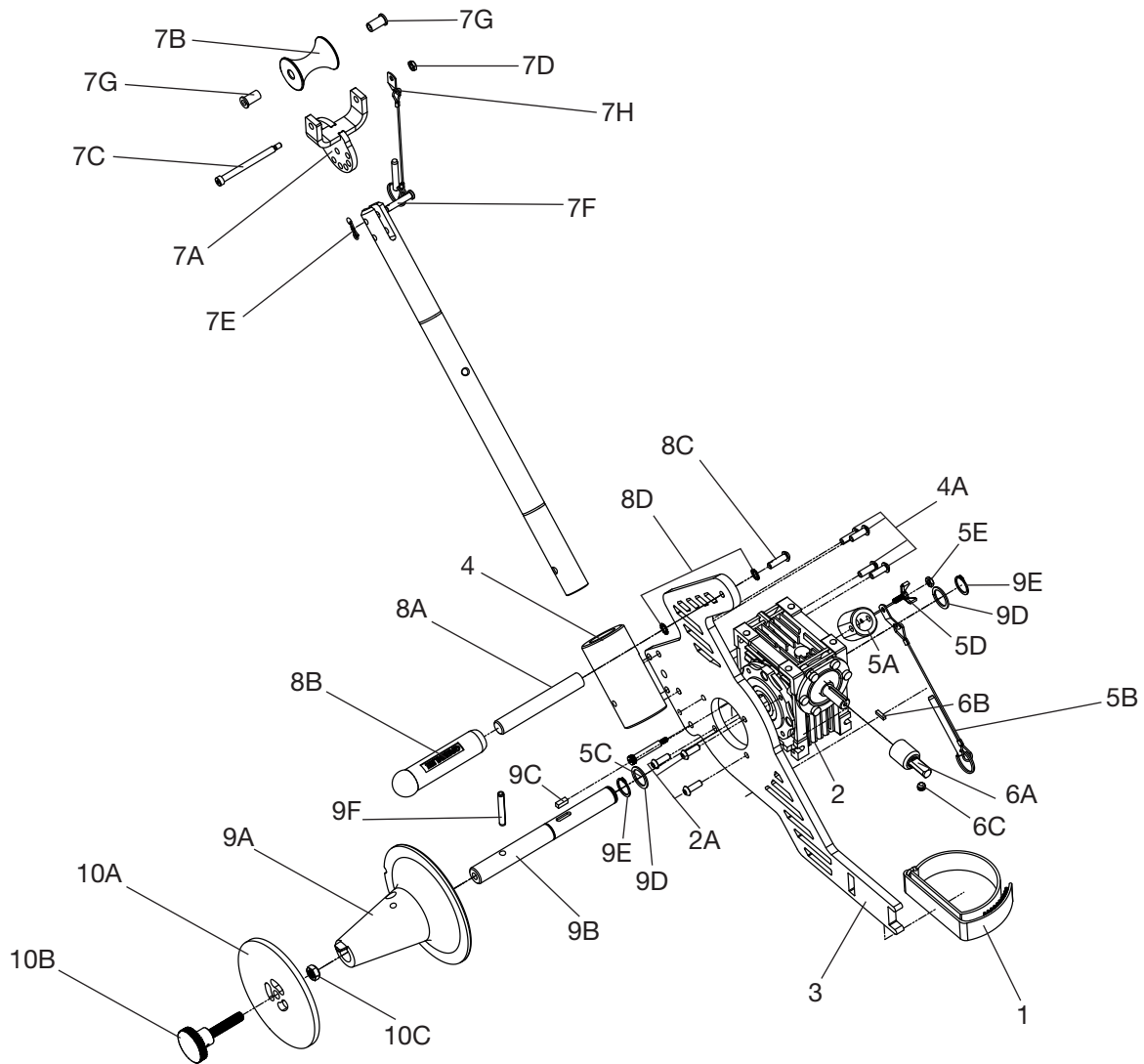
Si el extractor no funciona, consulte la siguiente tabla de solución de problemas.

Problema	Causa probable	Remedio probable
Durante una extracción, tanto el taladro como el eje de entrada Y TAMBIÉN el cabrestante dejan de girar	La batería del taladro tiene poco o nada de carga	Reemplace la batería del taladro inalámbrico.
	El taladro se atoró debido a que la fuerza de tracción es demasiado alta	Deje de usar el G1 Versi-Tugger y use un extractor de cables más grande para terminar la extracción del cable.
Durante una extracción, el bastidor comienza a doblarse y entra en contacto con el cabrestante	La fuerza de la extracción excedió las 1000 lb.	No exceda la fuerza máxima de 1000 lb para evitar daños cosméticos. La unidad sigue funcionando perfectamente.
El taladro y el eje de entrada giran, pero el cabrestante NO	La chaveta del eje de salida está cortada debido a una sobrecarga de un taladro o un motor no aprobados	Quite el eje de salida, reemplace la chaveta y vuelva a montar el eje de salida.
El taladro se resbala del eje de entrada	El mandril del taladro se ajustó en el diámetro del eje de entrada y no en las tres partes planas	Retire el mandril del taladro del eje de entrada. Vuelva a colocar el mandril del taladro en el eje de entrada y asegúrese de que los dientes del mandril del taladro estén bien acoplados en las tres partes planas del eje de entrada.
La pared del cabrestante no se está atornillando en el cabrestante	La desalineación de las roscas puede deberse a interferencias entre la pared del cabrestante y la lengüeta de protección contra retroceso del cabrestante	Vuelva a alinear las roscas de la perilla de la pared del cabrestante de forma tal que estén en el eje con el cabrestante, y asegúrese de que la lengüeta de protección contra retroceso del cabrestante esté insertada en las ranuras radiales de la pared del cabrestante. A continuación, enrosque la perilla de la pared del cabrestante en el cabrestante.
La manija está girando sobre el bastidor	El producto se cayó o se giró forzosamente con la manija	Utilice una llave hexagonal o una llave Allen para apretar el tornillo de la manija palanca.
El eje de entrada se resbala de la caja de engranajes	El producto sufrió una caída muy fuerte o experimentó una vibración considerable	Utilice una llave hexagonal o una llave Allen para apretar el tornillo del eje entrada.
Saltos de línea durante la extracción durante la salida del conducto	La línea se está frotando contra el borde del conducto	Asegúrese de que el cabezal de extracción esté configurado de forma tal que la línea no frote contra el borde del conducto y utilice el rodillo.
Saltos de línea cerca del cabezal de extracción	La línea está atrapada entre el cabezal y el rodillo	Posicione la línea de forma tal que se sitúe sobre el rodillo y no junto a él.
La línea queda atrapada o se interrumpe cerca del cabrestante	La línea se encuentra atrapada entre el cabrestante y el bastidor	Posicione la línea de forma tal que se bobine alrededor del cabrestante con tensión para que no se deslice entre el cabrestante y el bastidor.

Mantenimiento

Inspeccione rutinariamente todos los aspectos y los componentes del G1 Versi-Tugger para asegurarse de que el extractor funcione correctamente antes de su uso. Si faltan piezas o alguna está rota, NO UTILICE la máquina y repare el extractor en un centro de reparación Greenlee autorizado.

La caja de engranajes viene prellenada con lubricante sintético de alta temperatura. Por lo tanto, no se requiere mantenimiento en la caja de engranajes.

Vista ampliada y listas de piezas

Lista de piezas – G1 Versi-Tugger

Clave	N.º de catálogo	Descripción	Cant.
1	G1-R12	Correa del taladro	1
2		Caja de engranajes.....	1
2A		Tornillos de capuchón con cabeza de botón (M6 x 18MM).....	3
3		Bastidor.....	1
4		Adaptador del brazo.....	1
4A		Tornillos de capuchón con cabeza de botón del adaptador del brazo (1/4 in-20 x 3/4 in).....	4
5	G1-R18	Kit del adaptador del monópode.....	1
5A		Adaptador del monópode.....	1
5B		Pasador de liberación rápida con cordón (1/4 in x 2-1/4 in).....	1
5C		Tornillo de resalto (1/4 in x 1-3/8 in).....	1
5D		Tornillo mariposa (#10-32 x 1/2 in).....	1
5E		Contratuerca (#10-24).....	1

Vista ampliada y listas de piezas (cont.)
Lista de piezas – G1 Versi-Tugger (cont.)

Clave	N.º de catálogo	Descripción	Cant.
6	G1-R11	Kit del eje de entrada.....	1
6A		<i>Eje de entrada.....</i>	1
6B		<i>Chaveta (1/8 in x 1/8 in x 1/2 in).....</i>	1
6C		<i>Tornillo de ajuste (5/16 in-24 x 1/4 in).....</i>	1
7	G1-R14	Kit del ensamble de brazo	1
7A		<i>Cabezal de extracción.....</i>	1
7B		<i>Roldana del cabezal de extracción</i>	1
7C		<i>Tornillo de resalto (1/4 in x 2-1/2 in).....</i>	1
7D		<i>Contratuerca (#10-24).....</i>	1
7E		<i>Pasador de chaveta tipo pajarita (1/16 in).....</i>	1
7F		<i>Pasador de horquilla (1/4 in x 1-1/4 in).....</i>	1
7G		<i>Buje cónico.....</i>	2
7H		<i>Pasador de liberación rápida con cordón (1/4 in x 1-1/16 in).....</i>	1
8	G1-R15	Kit de ensamble de manija.....	1
8A		<i>Manija</i>	1
8B		<i>Agarre de la manija</i>	1
8C		<i>Tornillo de capuchón con cabeza de botón de la manija (1/4 in x 7/8 in)</i>	1
8D		<i>Arandela de seguridad externa (1/4 in)</i>	2
9	G1-R16	Kit de ensamble del cabrestante	1
9A		<i>Cabrestante</i>	1
9B		<i>Eje del cabrestante</i>	1
9C		<i>Chaveta (3/16 in x 3/16 in x 1/2 in).....</i>	1
9D		<i>Arandela (3/4 in).....</i>	2
9E		<i>Anillo de retención externo (3/4 in)</i>	2
9F		<i>Pasador dividido (1/4 in x 1-3/4 in)</i>	1
10	G1-R13	Kit de pared de cabrestante	1
10A		<i>Pared del cabrestante.....</i>	1
10B		<i>Perilla de pared de cabrestante</i>	1
10C		<i>Contratuerca (3/8 in-16).....</i>	1
11	G1-R19	Kit de calcomanías y advertencias (no se muestra).....	1
11A		<i>Calcomanía de advertencia.....</i>	1
11B		<i>Calcomanía de pared del cabrestante G1</i>	1
11C		<i>Calcomanía de información del producto G1</i>	1
11D		<i>Calcomanía con el logotipo de Greenlee.....</i>	1

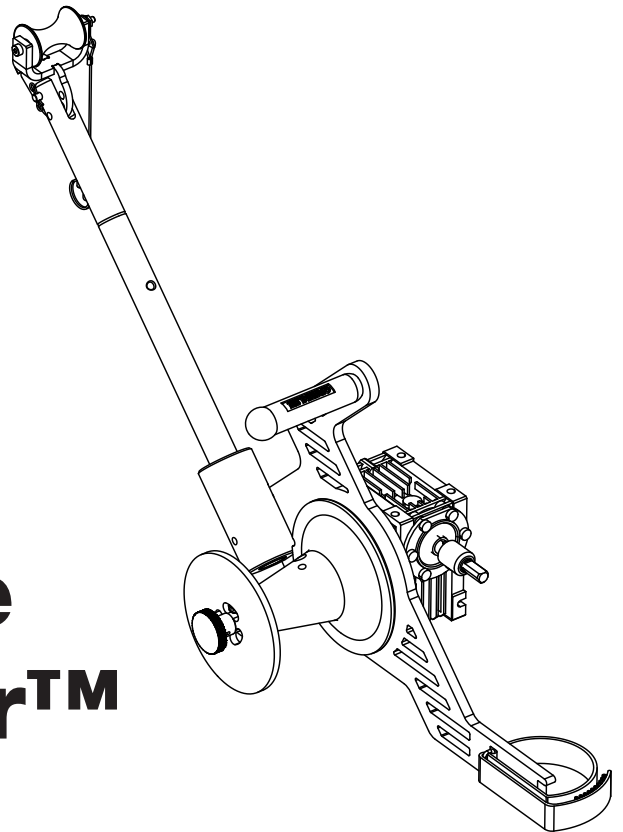
Vista ampliada y listas de piezas (cont.)
Lista de piezas – G1 Versi-Tugger (use la impresión del ensamble para asociar la clave con los componentes) (cont.)

Clave	N.º de catálogo	Descripción	Cant.
12	G1-R17	Kit de piezas	1
5D		<i>Tornillo mariposa (#10-32 x 1/2 in).....</i>	1
6B		<i>Chaveta (1/8 in x 1/8 in x 1/2 in).....</i>	1
9C		<i>Chaveta (3/16 in x 3/16 in x 1/2 in).....</i>	1
9D		<i>Arandela (3/4 in).....</i>	2
9E		<i>Anillo de retención externo (3/4 in).....</i>	2
13	G1-R20	Kit de pasadores de liberación	1
13A		<i>Pasador de liberación rápida con cordón (1/4 in x 2-3/16 in).....</i>	1
7H		<i>Pasador de liberación rápida con cordón (1/4 in x 1-1/16 in).....</i>	1

MODE D'EMPLOI



Tire-câble actionné par une perceuse G1 Versi-Tugger™



Veillez lire et comprendre toutes les instructions et tous les renseignements de sécurité du présent manuel avant d'utiliser cet outil ou d'en effectuer l'entretien.

Enregistrez ce produit sur www.greenlee.com

Table des matières

RÈGLES DE SÉCURITÉ GÉNÉRALES	3-4
RÈGLES DE SÉCURITÉ PARTICULIÈRES	5-7
PRÉSENTATION DU TIRAGE DE CÂBLE	
Glossaire du tirage de câble.....	8
Planification du tirage.....	8
DESCRIPTION FONCTIONNELLE	
Identification.....	9-10
Caractéristiques	11
FONCTIONNEMENT	
Installation de la perceuse sans fil sur le tire-câble...	12
Fonctionnement de la tête et de la flèche.....	13
Fonctionnement du tire-câble	14-15
Enroulement du câble tracteur/ruban de tirage.....	14
Utilisation du cabestan	15
Installation d'un pied	16
Fixation d'une rallonge de flèche.....	17
VUE ÉCLATÉE ET LISTES DE PIÈCES	
Tire-câble G1 Versi-Tugger.....	19-21

Description

L'appareil G1 Versi-Tugger™ de Greenlee est conçu pour le tirage de câbles à travers des conduites et sur les supports de câble. Il s'agit d'un accessoire pour les perceuses sans fil 12-20 V à prise pistolet. Le modèle G1, couplé à une perceuse standard ou à une perceuse-visseuse marteau, tel que le modèle Makita XFD07, développe une force allant jusqu'à 4,45 kN (1 000 lb). Voir les réas, les cordes de tirage et autres accessoires de tirage de câbles dans un catalogue Greenlee pour créer un système de tirage de câbles complet. Aucun manuel individuel ne peut fournir des instructions pour toute application de tirage de câble. Ce manuel contient les informations générales nécessaires pour tirer des câbles dans différentes configurations.

Sécurité

Lors de l'utilisation et de l'entretien des outils et de l'équipement de Greenlee, la sécurité est essentielle. Les instructions de ce manuel et celles inscrites sur l'outil fournissent des renseignements qui permettent d'éviter les dangers et les manipulations dangereuses liés à l'utilisation de cet outil. Veuillez respecter toutes les informations de sécurité fournies.

Objet de ce manuel

Ce manuel a pour objet de familiariser tout le personnel avec les procédures préconisées pour une utilisation et un entretien sans danger du tire-câble actionné par une perceuse G1 Versi-Tugger de Greenlee.

Mettre ce manuel à la disposition de tout le personnel.

Des manuels de remplacement peuvent être obtenus sur demande sans frais depuis le site Web www.greenlee.com.

Toutes les caractéristiques sont nominales et peuvent changer lorsque des améliorations sont apportées dans la conception. Greenlee Tools, Inc. décline toute responsabilité quant aux dommages résultant d'un emploi inadéquat ou d'un usage abusif de ses produits.

® Déposée : la couleur verte de l'équipement destiné au tirage de câbles est une marque déposée de Greenlee Tools, Inc.

CONSERVER CE MANUEL

RÈGLES DE SÉCURITÉ GÉNÉRALES

MISE EN GARDE Lire toutes les mises en garde en matière de sécurité, les instructions, les illustrations et les caractéristiques fournies avec cet outil électrique. Veiller à respecter toutes les instructions ci-dessous pour écarter les risques de décharge électrique, d'incendie et de blessure grave.

CONSERVER TOUTES LES MISES EN GARDE ET INSTRUCTIONS POUR CONSULTATION ULTÉRIEURE.

Dans les mises en garde, le terme « outil électrique » fait référence à un outil électrique fonctionnant sur le courant secteur (à fil) ou à un outil électrique à BATTERIE (sans fil).

SÉCURITÉ DANS LA ZONE DE TRAVAIL

Garder la zone de travail propre et bien éclairée. Les endroits sombres et encombrés favorisent les accidents.

Ne pas utiliser les outils électriques dans des atmosphères explosives, notamment en présence de liquides, gaz ou poussières inflammables. Les outils électriques produisent des étincelles susceptibles d'enflammer les poussières ou les vapeurs.

Tenir les enfants et autres personnes présentes à l'écart durant l'utilisation d'un outil électrique. Les distractions peuvent provoquer une perte de contrôle.

SÉCURITÉ EN MATIÈRE D'ÉLECTRICITÉ

Éviter tout contact corporel avec des surfaces reliées à la masse ou à la terre, notamment les tuyaux, radiateurs, cuisinières et réfrigérateurs. La mise à la terre du corps accroît le risque de décharge électrique.

Ne pas exposer les outils électriques à la pluie ou à l'humidité. L'infiltration d'eau dans un outil électrique accroît le risque de décharge électrique.

SÉCURITÉ PERSONNELLE

Faire preuve de vigilance, de concentration et de bon sens lors de l'utilisation d'un outil électrique. **Ne pas utiliser un outil électrique alors qu'on est fatigué ou sous l'emprise de drogues, d'alcool ou de médicaments.** Un instant d'inattention durant l'utilisation d'un outil électrique peut entraîner des blessures graves.

Utiliser un équipement de protection individuelle. **Toujours porter une protection oculaire.** Les équipements protecteurs tels qu'un masque antipoussière, des chaussures de sécurité antidérapantes, un casque ou une protection auditive utilisés dans des conditions appropriées réduisent les risques de blessure.

Éviter tout démarrage intempestif. S'assurer que l'interrupteur est en position d'arrêt avant de raccorder l'outil à une prise de courant ou à une BATTERIE, de le saisir ou de le transporter. Le fait de porter un outil électrique avec le doigt sur l'interrupteur ou de mettre sous tension un outil électrique avec l'interrupteur en position de marche favorise les accidents.

Veiller à enlever toute clé de mandrin ou de réglage avant de mettre l'outil électrique en marche. Une clé laissée sur une pièce tournante de l'outil électrique peut provoquer des blessures.

Ne pas tendre le bras trop loin. Garder toujours une position assurant un équilibre parfait. Cela permet un meilleur contrôle de l'outil électrique en cas d'imprévu.

Porter une tenue appropriée. Ne pas porter de vêtements amples ni de bijoux. Tenir les cheveux, les vêtements et les gants à l'écart des pièces mobiles. Les vêtements amples, les bijoux et les cheveux longs peuvent se prendre dans les pièces mobiles.

Si des mécanismes sont prévus pour le raccordement à des équipements d'extraction et de collecte de poussière, s'assurer qu'ils sont raccordés et utilisés comme il se doit. L'utilisation de captation des poussières peut réduire les dangers liés à la poussière.

Ne pas laisser la familiarité d'une utilisation fréquente de l'outil entraîner une baisse de la vigilance ou le non-respect des principes de sécurité. Un geste imprudent peut entraîner des blessures graves en une fraction de seconde.

UTILISATION ET ENTRETIEN DE L'OUTIL ÉLECTRIQUE

Ne pas forcer sur l'outil électrique. Utiliser l'outil électrique adapté au travail à effectuer. L'outil électrique adapté assure un travail plus correct et plus sûr, au régime pour lequel il a été conçu.

Ne pas utiliser l'outil électrique si l'interrupteur ne le met pas en marche et à l'arrêt. Tout outil électrique qui ne peut pas être commandé au moyen de l'interrupteur est dangereux et doit être réparé.

Débrancher la fiche de la source de courant ou la BATTERIE, si amovible, de l'outil électrique avant d'effectuer des ajustements, de changer des accessoires ou de ranger l'outil électrique. Ces mesures préventives réduisent le risque de démarrage accidentel de l'outil électrique.

Ranger les outils électriques inutilisés hors de la portée des enfants et interdire l'utilisation aux personnes non familiarisées avec l'outil électrique ou avec ces instructions. Les outils électriques sont dangereux dans les mains d'utilisateurs inexpérimentés.

RÈGLES DE SÉCURITÉ GÉNÉRALES (suite)

Entretien des outils électriques et les accessoires.
Vérifier que l'outil électrique ne présente pas de pièces mobiles grippées ou désaxées, de pièces cassées ou d'autres problèmes susceptibles d'entraver son bon fonctionnement. En cas de dommage, faire réparer l'outil électrique avant de l'utiliser. De nombreux accidents sont causés par des outils électriques mal entretenus.

Garder les outils de coupe propres et affûtés.
Les outils de coupe bien entretenus et aux arêtes tranchantes sont moins susceptibles de se bloquer et sont plus faciles à maîtriser.

Utiliser l'outil électrique, les accessoires, les outils de coupe, etc., conformément à ces instructions, en tenant compte des conditions de travail et de la tâche à effectuer. L'utilisation de l'outil électrique pour des travaux autres que ceux prévus peut donner lieu à des situations dangereuses.

Garder les poignées et les surfaces de prises sèches, propres et libres d'huile et de graisse.
Les poignées ou les surfaces de prises glissantes ne permettent pas une manipulation et un contrôle sécuritaires de l'outil lors de situations inattendues.

ENTRETIEN ET RÉPARATION

Confier l'outil électrique à un réparateur qualifié utilisant exclusivement des pièces de rechange identiques. Cela préserve la sécurité de l'outil électrique.

RÈGLES DE SÉCURITÉ PARTICULIÈRES ET SYMBOLES



SYMBOLE DE MISE EN GARDE

Ce symbole met en garde contre les risques ou les pratiques dangereuses pouvant causer des blessures ou des dommages matériels. Le mot indicateur, défini ci-dessous, indique la gravité du danger. Le message après le mot indicateur fournit de l'information qui permet de prévenir ou d'éviter le danger.

⚠ DANGER

Danger immédiat qui, s'il n'est pas évité, ENTRAÎNERA des blessures graves voire mortelles.

⚠ MISE EN GARDE

Danger qui, s'il n'est pas évité, POURRAIT entraîner des blessures graves voire mortelles.

⚠ ATTENTION

Danger ou pratiques dangereuses qui, à défaut d'être évités, SONT SUSCEPTIBLES d'entraîner des blessures ou des dommages matériels.



⚠ DANGER

Veuillez lire et comprendre toutes les instructions et informations de sécurité de ce manuel avant d'utiliser cet outil ou d'effectuer son entretien.

Le non-respect de cette mise en garde entraînera des blessures graves, voire mortelles.



⚠ DANGER

Ne pas utiliser le tire-câble dans un environnement dangereux. Ces dangers comprennent notamment les liquides et gaz inflammables.

Le non-respect de cette mise en garde entraînera des blessures graves, voire mortelles.

⚠ MISE EN GARDE

Ne pas utiliser cet outil à proximité de circuits sous tension. Couper et verrouiller l'alimentation lorsque vous travaillez à proximité de circuits existants.



⚠ MISE EN GARDE

Contrôler et confirmer la capacité de charge maximale ou la résistance maximale de tous les supports structurels, des éléments du système de tirage et des systèmes d'ancrage avant de monter le tire-câble. Tout élément qui n'est pas conçu pour résister aux forces de tirage maximales peut se rompre et heurter les personnes présentes avec suffisamment de force pour provoquer des blessures graves ou la mort.



⚠ MISE EN GARDE

Ne rien laisser venir au contact du cabestan autre que le câble tracteur. Un serre-câble, un pivot ou toute autre pièce peut se casser et heurter les personnes présentes avec violence.

Le non-respect de cette mise en garde peut entraîner des blessures graves, voire mortelles.



⚠ MISE EN GARDE

Ne pas se tenir directement sous un tirage vertical. Le câble peut chuter soudainement de la conduite et blesser les personnes autour.

Le non-respect de cette mise en garde peut entraîner des blessures graves, voire mortelles.

⚠ MISE EN GARDE

N'utiliser que des câbles tracteurs homologués et les inspecter avant utilisation. Ne jamais utiliser de câbles tracteurs dont la valeur nominale est trop faible pour l'application. Les câbles tracteurs homologués comprennent : les rubans de tirage, les rubans de mesure et les câbles tracteurs (poly). NE PAS utiliser de chaînes, de câbles ou de cordes qui ne sont pas destinés au tirage de câbles, tels que les cordes universelles. Le non-respect de cette mise en garde peut entraîner des blessures graves, voire mortelles.

RÈGLES DE SÉCURITÉ PARTICULIÈRES ET SYMBOLES

⚠ MISE EN GARDE

Toute corde dont la valeur nominale est trop faible peut se rompre et fouetter violemment. Utiliser une corde de tirage de câble qui présente les caractéristiques suivantes :

- Capacité maximale nominale : au moins 6,7 kN (1 500 lb)
- Résistance moyenne à la rupture : au moins 26,7 kN (6000 lb)
- Plage de diamètre de la corde : 6,4 mm à 12,7 mm (1/4 po à 1/2 po)

Le non-respect de cette mise en garde peut entraîner des blessures graves, voire mortelles.

⚠ MISE EN GARDE

- Contrôler l'état de la corde sur toute sa longueur avant de l'utiliser. Une corde usée ou endommagée peut se rompre sous la tension et fouetter violemment.
- Ne pas maintenir une corde immobile sur un cabestan en rotation. L'usure engendrée peut provoquer une rupture et un fouettement violent de la corde sous la tension.

Le non-respect de ces mises en garde peut entraîner des blessures graves, voire mortelles.

⚠ MISE EN GARDE

Attacher la corde de tirage au câble à l'aide de connecteurs de type approprié. Sélectionner des connecteurs d'une capacité maximale nominale de 6,7 kN (1 500 lb). Un connecteur dont la valeur nominale est trop faible peut se rompre sous la tension. Le non-respect de cette mise en garde peut entraîner des blessures graves, voire mortelles.



⚠ MISE EN GARDE

Garder les mains à l'écart du cabestan. La corde sur le cabestan peut écraser une main.

Le non-respect de cette mise en garde peut entraîner des blessures graves, voire mortelles.



⚠ MISE EN GARDE

Ne pas enrouler la corde autour des mains, des bras, de la taille ou d'autres parties du corps. Ne pas se tenir sur des spires dévidées ou sur la corde ravalée. Tenir la corde de manière qu'elle puisse être libérée rapidement.

Le non-respect de cette mise en garde peut entraîner des blessures graves, voire mortelles.

⚠ MISE EN GARDE

La corde, le câble et un connecteur peuvent se rompre sous la tension, ce qui provoquerait un fouettement violent de la corde.

- Ne permettre à aucune personne non indispensable de rester dans la zone où a lieu le tirage.
- Ne permettre à personne de se tenir dans l'alignement de la corde de tirage.

Le non-respect de ces mises en garde peut entraîner des blessures graves ou la mort.

⚠ MISE EN GARDE

- Ne pas laisser la corde chevaucher sur le cabestan. Si la corde approche le haut de la partie inclinée du cabestan, relaxer la force de traction. Si un chevauchement survient, arrêter immédiatement le tire-câble.

Le non-respect de ces mises en garde peut entraîner des blessures graves, voire mortelles.

⚠ MISE EN GARDE

N'utiliser le tire-câble G1 Versi-Tugger qu'avec des perceuses sans fil 12 V-20 V à prise pistolet. Ne pas utiliser le tire-câble G1 Versi-Tugger avec des perceuses à fil, des perceuses sans fil à angle droit, des perceuses sans fil à poignée en D ou à poignée-bêche, des perceuses à percussion ou des perceuses sans fil à prise pistolet dont la tension est supérieure à 20 V.

⚠ MISE EN GARDE

NE PAS dépasser la force de tirage nominale maximale de 4,45 kN (1 000 lb). Le non-respect de cette mise en garde peut entraîner des blessures graves, voire mortelles.

⚠ MISE EN GARDE

Utiliser cet outil exclusivement aux fins prévues par le fabricant. Ne pas utiliser le tire-câble en tant que palan de levage ou que treuil universel.

- Le tire-câble ne peut pas abaisser une charge.
- Cette charge pourrait chuter.

Le non-respect de cette mise en garde peut entraîner des blessures graves, voire mortelles.

RÈGLES DE SÉCURITÉ PARTICULIÈRES ET SYMBOLES

⚠ MISE EN GARDE

Contrôler le tire-câble et ses accessoires avant utilisation. Remplacer tous les éléments usés ou manquants par des pièces de rechange Greenlee. Une pièce endommagée ou mal assemblée peut se briser et heurter violemment les personnes présentes. Le non-respect de cette mise en garde peut entraîner des blessures graves, voire mortelles.

⚠ MISE EN GARDE

Ne pas épinglez ou fixer la gâchette en position de marche.

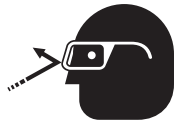
⚠ MISE EN GARDE

Risque d'enchevêtrement :

- Ne pas porter de vêtements amples lors de l'utilisation du tire-câble.
- Attacher les cheveux longs.

Le non-respect de ces mises en garde peut entraîner des blessures graves, voire mortelles.

⚠ MISE EN GARDE



Porter une protection oculaire durant l'utilisation de cet outil.

L'absence de protection oculaire peut entraîner des lésions oculaires graves en cas de projection de débris.

⚠ MISE EN GARDE



Porter des gants lors de l'utilisation de cet outil.

Le fait de ne pas porter de gants peut entraîner des lésions graves en cas de projection de débris.

⚠ MISE EN GARDE

Ne pas altérer ou modifier le Versi-Tugger G1 de quelque façon que ce soit. Cela inclut, sans toutefois s'y limiter, le renforcement artificiel de composantes ou l'utilisation de clés de lecteur non fournies par Greenlee. De plus, ne pas fixer ou attacher l'extracteur à un objet.

PRÉSENTATION DU TIRAGE DE CÂBLE

Glossaire du tirage de câble

système d'ancrage

tout élément ou ensemble d'éléments qui maintient un dispositif de tirage de câble en place durant le tirage

cabestan

cylindre effilé du tire-câble qui exerce la force de tirage sur la corde de tirage

connecteur

toute pièce telle qu'un serre-fil, une manille, un pivot ou une poignée d'extraction qui raccorde la corde au câble

câble tracteur direct

zones autour de la corde de tirage et le long de son trajet; cela comprend les zones devant, derrière et sous la corde

capacité maximale nominale

intensité de la force de tirage à laquelle tout élément peut résister sans danger, exprimée en kilonewtons (système métrique) ou en livre; la capacité maximale nominale de chaque élément doit être égale ou supérieure à la force de tirage maximale du tire-câble

poignée d'extraction

accessoire qui raccorde la corde au câble; constituée d'un manchon en maillage métallique qui s'enfile sur le câble et serre la gaine isolante

force de tirage

intensité de la force de tirage développée par le tire-câble, exprimée en newtons (système métrique) ou en livre; un tire-câble est généralement caractérisé par la force de tirage maximale dont il est capable

réa

poulie qui modifie la direction de la corde et du câble

structure de soutien

tout objet fixe auquel un système de tirage de câble est ancré, tel qu'une dalle en béton (pour la pose au sol) ou une poutre métallique (pour un réa)

extrémité de corde

partie de la corde sur laquelle l'opérateur exerce une force; c'est la corde sortant du cabestan et qui n'est pas soumise à la tension du tirage

ravalier la corde

tâche principale de l'opérateur; elle consiste à exercer une force de traction sur la corde de tirage. Voir la description complète sous « Principes du tirage de câbles »

serre-câble

accessoire qui raccorde la corde au câble; certains comportent une vis de serrage qui se serre sur les conducteurs du câble

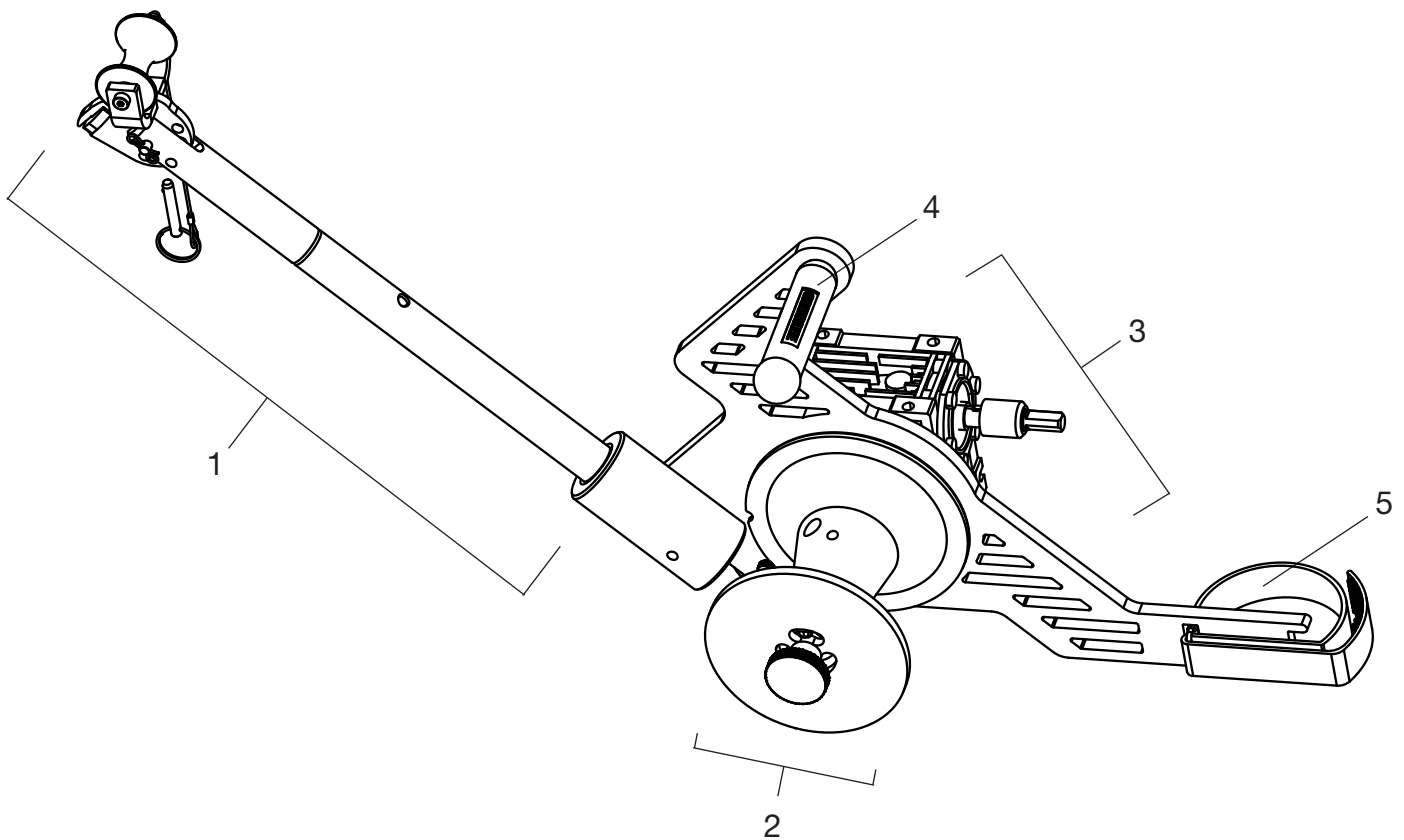
Planification du tirage

- Effectuer le tirage suivant une direction nécessitant la plus petite force de tirage possible.
- Prévoir plusieurs tirages courts plutôt que moins de tirages plus longs.
- Placer le tire-câble aussi près de l'extrémité de la conduite que possible afin de minimiser la longueur exposée de corde sous tension.
- Placer chaque élément de manière à utiliser efficacement les forces de tirage.
- Vérifier que la capacité de charge nominale de chaque élément convient.
- Contrôler les structures de support. Vérifier qu'elles présentent toutes une résistance suffisante pour s'opposer aux forces maximales susceptibles d'être produites.

DESCRIPTION FONCTIONNELLE

Identification

1. Flèche
2. Cabestan et paroi du cabestan
3. Châssis et boîte d'engrenages
4. Poignée
5. Cerclage de perceuse

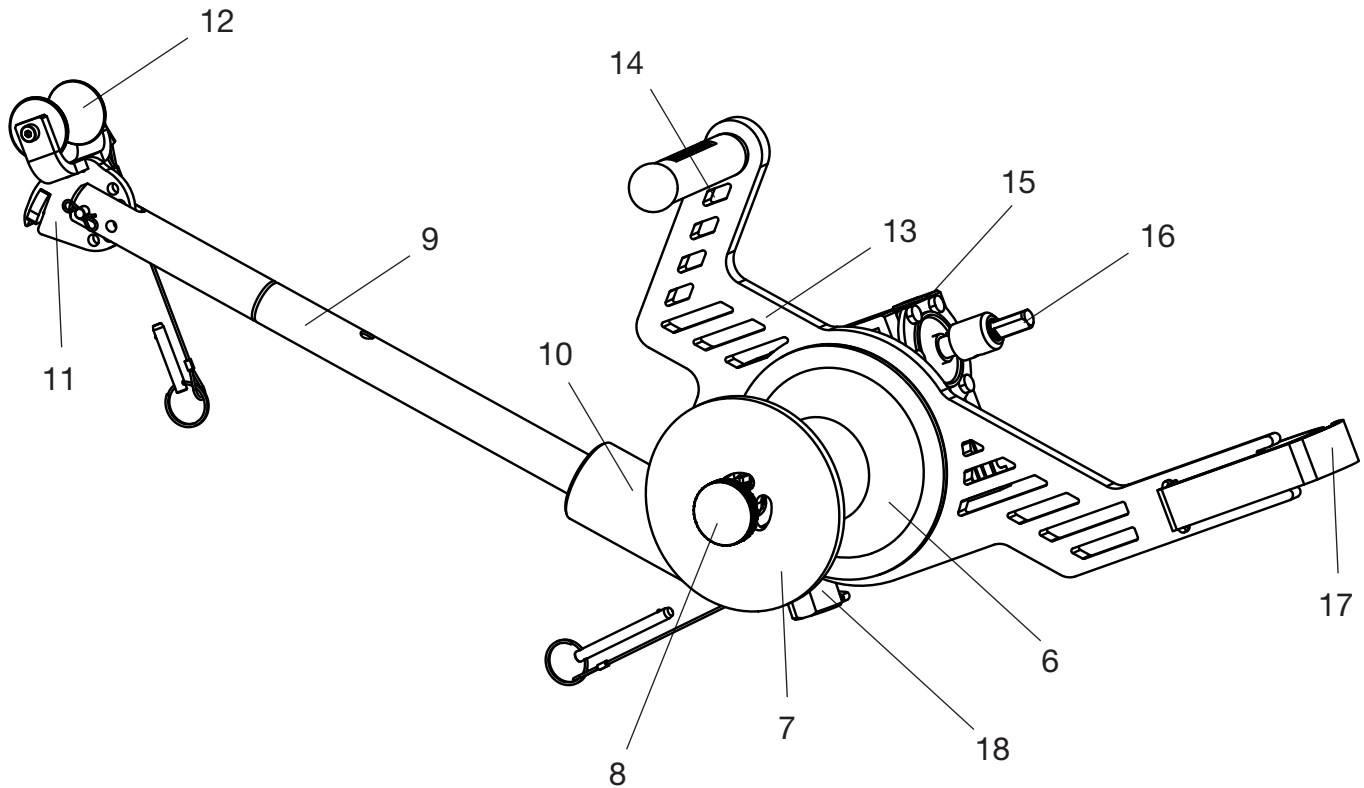


Remarque : Pour des vues éclatées, consulter la section des vues éclatées et des listes de pièces de ce manuel, ou consulter le Manuel d'entretien du tire-câble G1 Versi-Tugger.

Identification (suite)

Composants de l'ensemble

- | | |
|------------------------------------|--------------------------|
| 6. Cabestan | 13. Châssis |
| 7. Paroi du cabestan | 14. Poignée |
| 8. Bouton sur la paroi du cabestan | 15. Boîte d'engrenages |
| 9. Flèche | 16. Arbre d'entrée |
| 10. Adaptateur de flèche | 17. Cerclage de perceuse |
| 11. Tête du tire-câble | 18. Adaptateur de pied |
| 12. Réa de la tête du tire-câble | |



Caractéristiques

Poids (avec flèche)	6,3 kg (13,8 lb)
Dimensions	
Longueur (avec flèche)	81,5 cm (32,1 po)
Largeur	24,6 cm (9,7 po)
Hauteur.....	26,7 cm (10,5 po)
Convient aux tailles de conduite suivantes	12,7 mm à 101,6 mm (1/2 po à 4 po)
Corde de tirage/câble tracteur compatible	Câble tracteur (câble en poly), ruban de mesure en polyaramide et en polyester (ruban de tirage), corde de tirage de 6,4 mm à 12,7 mm (1/4 po à 1/2 po)

MISE EN GARDE

N'utiliser le tire-câble G1 Versi-Tugger qu'avec des perceuses sans fil 12 V-20 V à prise pistolet. Ne pas utiliser le tire-câble G1 Versi-Tugger avec des perceuses à fil, des perceuses sans fil à angle droit, des perceuses sans fil à poignée en D ou à poignée-bêche, des perceuses à percussion ou des perceuses sans fil à prise pistolet dont la tension est supérieure à 20 V.

	BASSE	HAUTE
Vitesse à vide* (enroulement d'une ligne de tirage poly 430)	25,3 m/min (83 pi/min)	93,9 m/min (308 pi/min)

*Suppose un rendement de perçage à basse vitesse = 500 tr/min et haute vitesse = 2 000 tr/min *Remarque : La vitesse de tirage dépend des performances de la perceuse sans fil.*

Force de traction

Max./crête	4,45 kN (1 000 lb)
Permanente.....	jusqu'à 2,67 kN (600 lb)

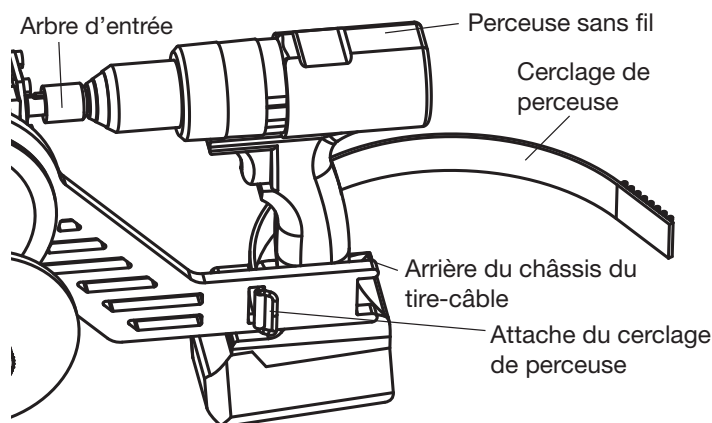
FONCTIONNEMENT

Installation de la perceuse sans fil sur le tire-câble

⚠ MISE EN GARDE

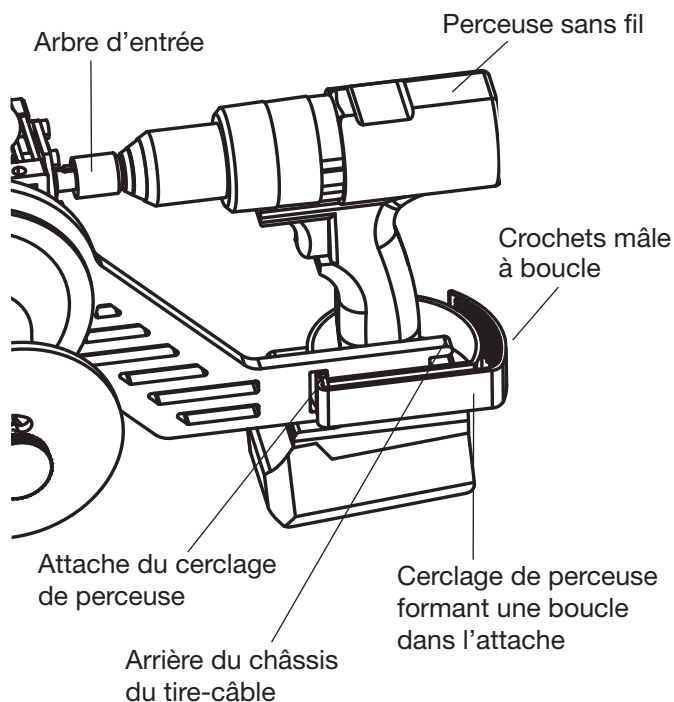
L'utilisation du cerclage de perceuse avec le tire-câble G1 est obligatoire pour une utilisation de l'appareil en toute sécurité. Le non-respect de cette mise en garde peut entraîner des blessures.

1. Desserrer suffisamment le mandrin de la perceuse sans fil pour insérer l'arbre d'entrée.
2. Serrer le mandrin de la perceuse sans fil sur l'arbre d'entrée. Veiller à ce que le mandrin de la perceuse soit bien fixé sur les trois méplats de l'arbre d'entrée.
3. Entourer la poignée de la perceuse sans fil et l'arrière du châssis du tire-câble avec l'extrémité du cerclage de perceuse équipé d'une boucle et d'un crochet.
4. Insérer l'extrémité du cerclage dans l'attache de l'autre côté du châssis et de la perceuse. Faire passer l'extrémité du cerclage de perceuse dans l'attache.
5. Bien serrer le cerclage et fixer les crochets de l'extrémité du cerclage aux boucles présentes sur le corps du cerclage.
6. S'assurer que le cerclage est exempt de dommages et de saletés et que les crochets sont complètement engagés dans les boucles du cerclage de perceuse.



⚠ MISE EN GARDE

N'utiliser le tire-câble G1 Versi-Tugger qu'avec des perceuses sans fil 12 V-20 V à prise pistolet. Ne pas utiliser le tire-câble G1 Versi-Tugger avec des perceuses à fil, des perceuses sans fil à angle droit, des perceuses sans fil à poignée en D ou à poignée-bêche, des perceuses à percussion ou des perceuses sans fil à prise pistolet dont la tension est supérieure à 20 V.



Fonctionnement de la tête et de la flèche

Le tire-câble G1 Versi-Tugger est équipé d'un système de tête et de flèche à plusieurs positions. La tête du tire-câble peut être installée dans 5 positions et la flèche dans 4 positions.

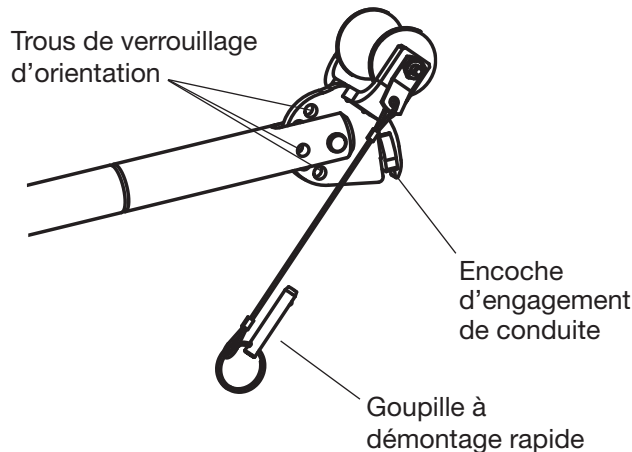
Pour régler la position ou l'orientation de la flèche ou de la tête du tire-câble :

- Retirer les goupilles à démontage rapide correspondantes
- Réorienter le composant dans la position souhaitée
- Réinsérer la goupille à démontage rapide

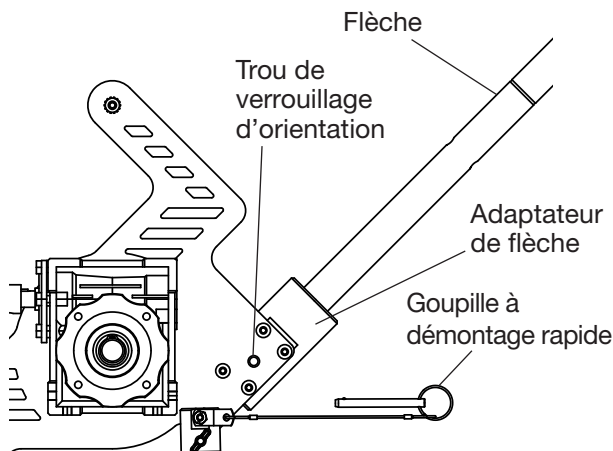
Quelle que soit la situation, toujours veiller à ce que l'encoche d'engagement de la conduite se couple correctement à la conduite ou à l'écrou de la conduite. De plus, toujours orienter la tête afin que la corde ou le câble tracteur ne frotte pas sur le bord de la conduite, ni sur les composants fixes du tire-câble.

Bien que la configuration soit unique pour chaque situation de traction, les positions typiques pour une traction vers le haut, vers le bas et latérale sont illustrées ci-dessous :

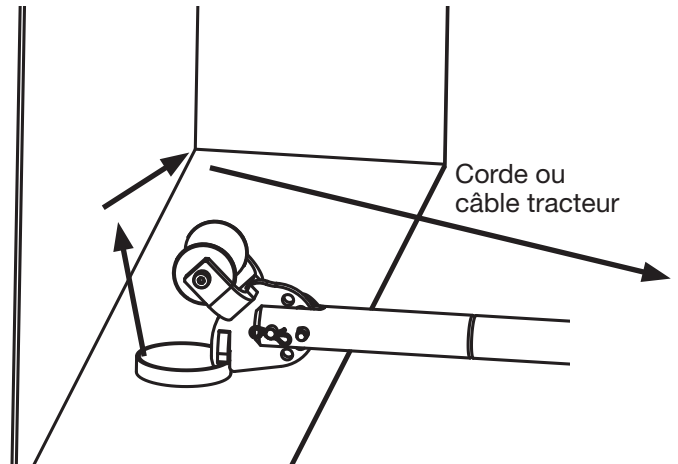
1. Goupille de réglage de la tête et encoche d'engagement de conduite



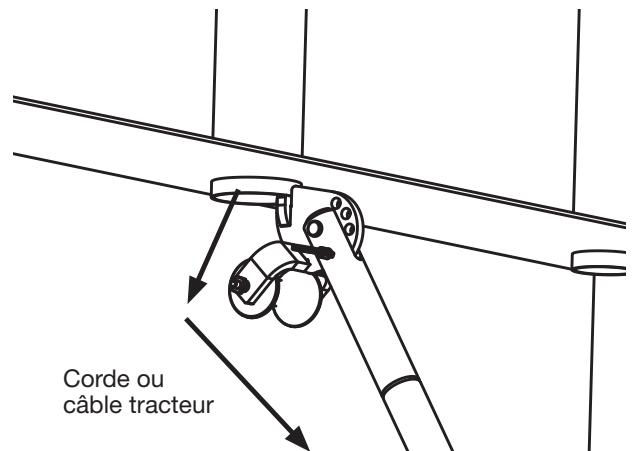
2. Goupille de réglage de la flèche



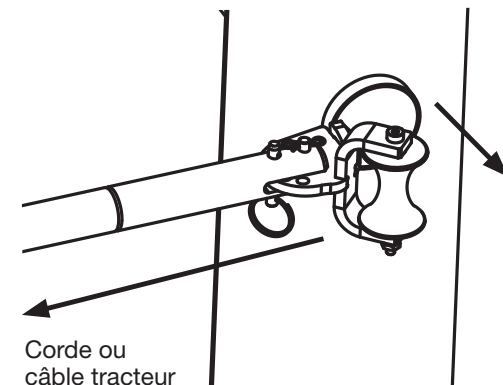
3. Orientation de la tête pour une traction vers le haut



4. Orientation de la tête pour une traction vers le bas



5. Orientation pour une traction latérale



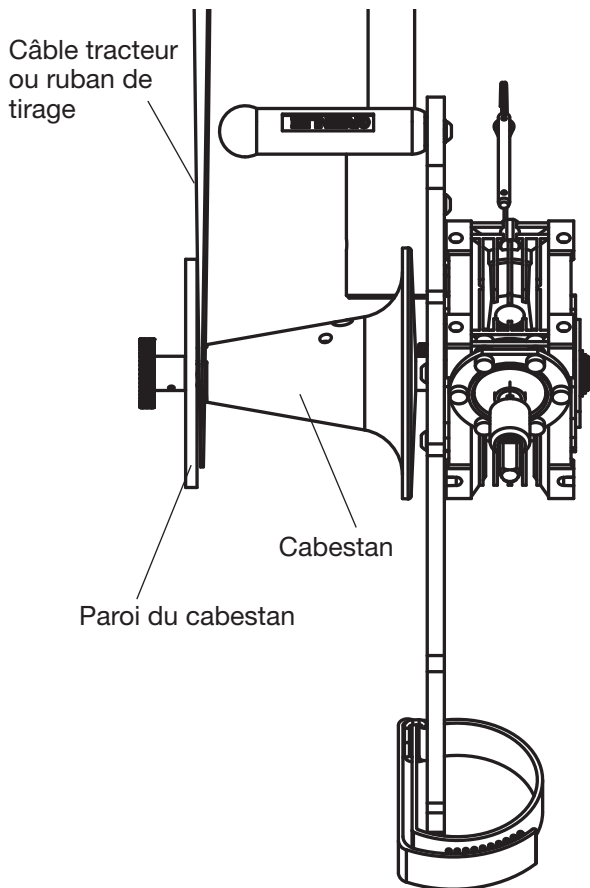
Remarque : Les lignes sur la flèche indiquent le point d'engagement de chaque longueur lorsqu'elles sont alignées avec la partie supérieure de la fixation. Il se peut que vous deviez faire tourner la flèche pour l'engagement.

Installation et fonctionnement du tire-câble

Enroulement du câble tracteur/ruban de tirage

INSTALLATION

1. Fixer le câble tracteur/le ruban sur le cabestan.
Les deux façons de fixer le câble au cabestan sont répertoriées ci-dessous :
 - A. Faire passer le câble par le grand trou du cabestan et faire un nœud.
- OU -
 - B. Prendre l'extrémité du câble et le fixer entre le cabestan et sa paroi. Pour ce faire, il suffit de dévisser la paroi du cabestan à mi-course. Puis prendre l'extrémité du câble et la placer entre le cabestan et sa paroi. Enfin, bien visser la paroi du cabestan contre le cabestan.



2. Régler l'orientation et la position de la tête et de la flèche si nécessaire, s'assurer que le câble/le ruban est fixé au cabestan. (Voir la rubrique « Fonctionnement de la tête et de la flèche » précédant la page 14). Ne pas oublier d'insérer complètement l'encoche d'engagement de conduite contre la conduite ou l'écrou de conduite avant de commencer à tirer.

FUNCTIONNEMENT

1. Une fois que le tire-câble est correctement installé, le processus de tirage peut commencer.
2. Avec la perceuse sans fil fixée au tire-câble G1 Versi-Tugger (voir la rubrique « Installation de la perceuse sans fil sur le tire-câble » précédant la page 13) et réglée sur la position de rotation « FORWARD » (avant) ou « CLOCKWISE » (sens horaire),* appuyer sur la gâchette de la perceuse sans fil et le cabestan commence à tourner.
3. Lorsque le cabestan tourne, le câble tracteur ou le ruban de tirage commence à s'enrouler.
 - NE PAS essayer de toucher ou de décaler le câble alors que le cabestan est en rotation. Si un réglage est nécessaire, arrêter la perceuse, puis effectuer le réglage.
 - Pour éviter d'endommager le câble au cours du processus de tirage, il est recommandé de faire fonctionner la perceuse sans fil à BASSE vitesse lors de l'extraction du fil ou du câble. D'autres scénarios de tirage de câbles avec une force faible, comme l'insertion d'une corde de tirage dans une conduite avec le câble tracteur (configuration pour un tirage de câble plus important), peuvent être effectués à HAUTE vitesse si vous le souhaitez.
4. Une fois le tirage de câble terminé, le câble tracteur ou le ruban de tirage peut être retiré. Séparer d'abord le câble tracteur ou le ruban de tirage du fil, du câble ou de la corde qui a été tiré.
5. Pour retirer le câble tracteur/le ruban de tirage une fois le tirage terminé, dévisser le bouton sur la paroi du cabestan. Une fois complètement dévissé, retirer la paroi du cabestan.
6. La bobine du câble ou du ruban peut être retirée du cabestan en saisissant le câble/le ruban et en le faisant glisser jusqu'à le défaire du cabestan.
7. Une fois que le câble tracteur ou le ruban de tirage a été retiré du cabestan, revisser la paroi du cabestan sur le cabestan.



*Voir les instructions du fabricant pour la perceuse.

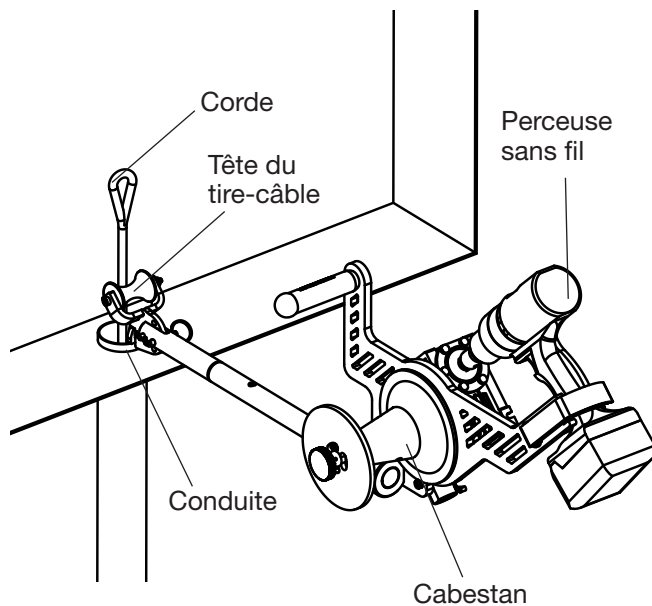
Installation et fonctionnement du tire-câble (suite)

Utilisation du cabestan : corde de tirage ou ruban de tirage

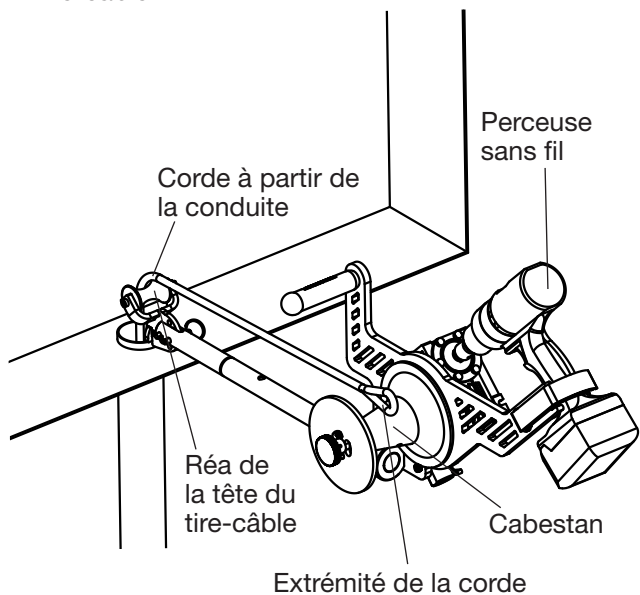
INSTALLATION

Installer d'abord le tire-câble pour utiliser la corde (6,4 mm à 12,7 mm [1/4 po à 1/2 po] de diamètre) entre le tire-câble G1 Versi-Tugger et le cabestan.

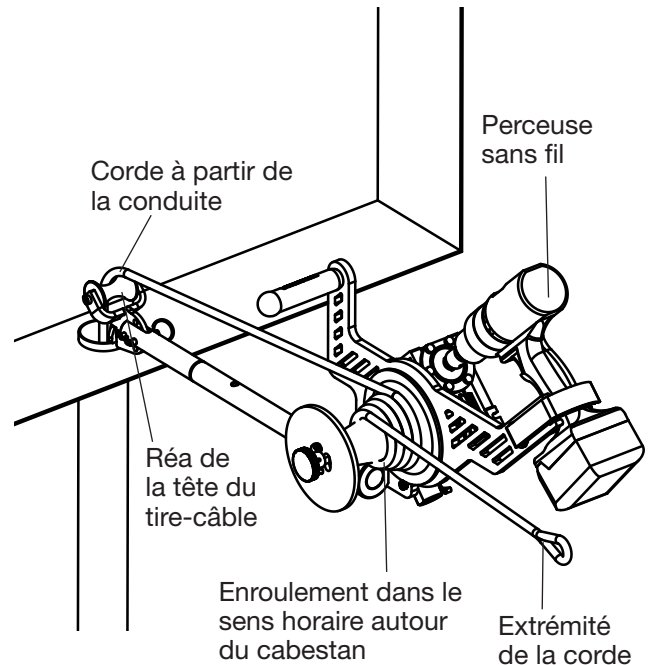
1. Régler l'orientation et la position de la tête et de la flèche si nécessaire (voir la rubrique « Fonctionnement de la tête et de la flèche » p. 14). Ne pas oublier d'insérer complètement l'encoche d'engagement de conduite contre la conduite ou l'écrou de conduite avant de commencer à tirer.



2. Acheminer la corde entre la conduite et le cabestan en faisant passer la corde sur le réa de la tête du tire-câble.



3. Enrouler la corde sur le cabestan dans le sens horaire, comme pour les tire-câbles classiques, en orientant l'extrémité de la corde de tirage vers la paroi du cabestan.



FONCTIONNEMENT

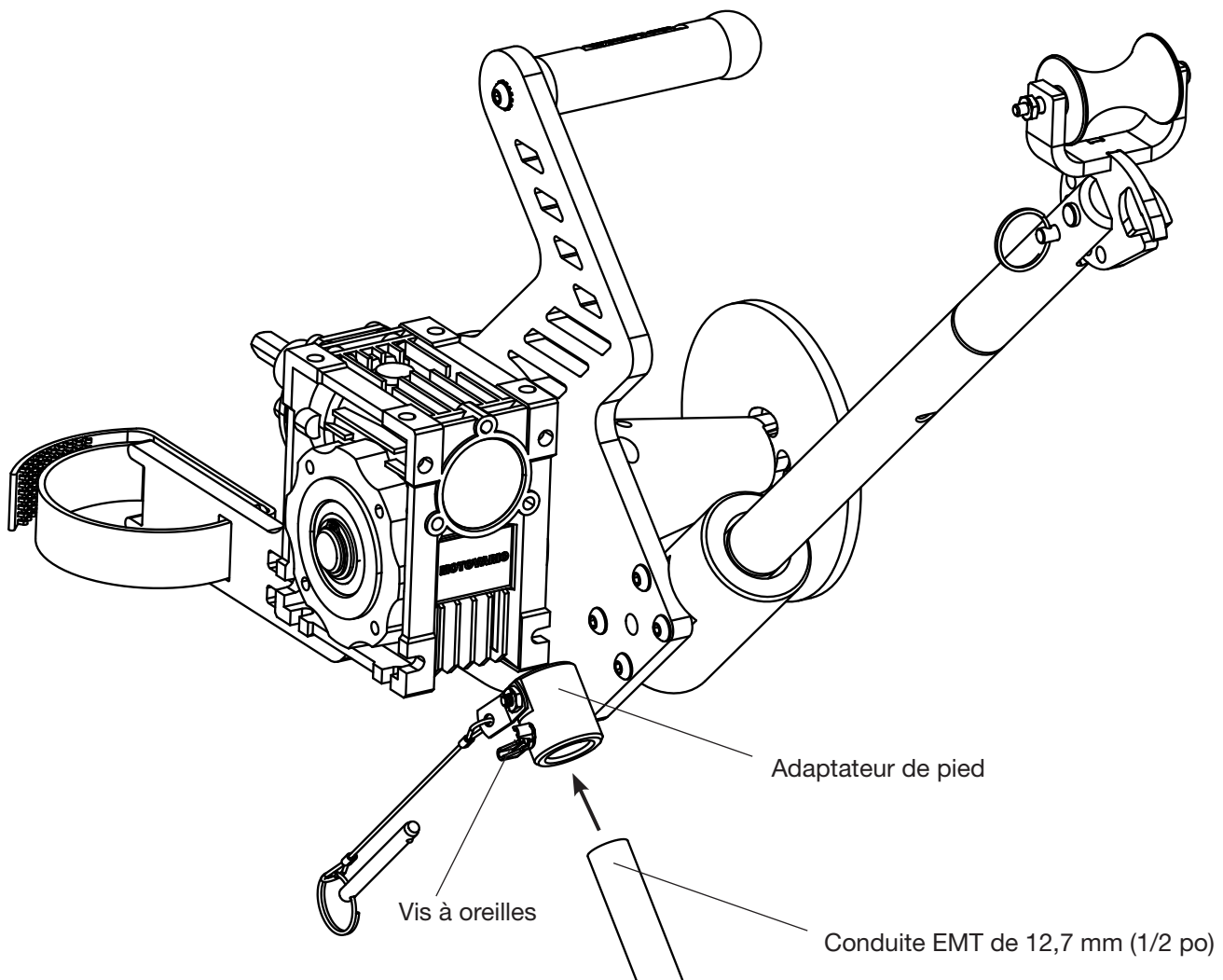
4. Avec la perceuse sans fil fixée au tire-câble G1 Versi-Tugger (voir la rubrique « Installation de la perceuse sans fil sur le tire-câble » p. 13) et réglée sur la position de rotation « FORWARD » (avant) ou « CLOCKWISE » (sens horaire), appuyer sur la gâchette de la perceuse sans fil. Le cabestan commence à tourner.
5. À l'aide de la main qui ne fait pas fonctionner la perceuse, retirer l'extrémité de la corde pendant la rotation du cabestan. La corde commence à tirer le câble et fonctionne comme avec les tire-câbles classiques.
 - Si la corde perd son engagement sur le cabestan et commence à glisser, arrêter la perceuse et enrouler davantage la corde autour du cabestan.
 - Pour éviter d'endommager le câble au cours du processus de tirage, il est recommandé de faire fonctionner la perceuse sans fil à BASSE vitesse lors de l'extraction du fil ou du câble. D'autres scénarios de tirage de câbles avec une force faible peuvent être effectués à HAUTE vitesse si vous le souhaitez.
6. Une fois le tirage terminé, la corde peut être déroulée du cabestan dans le sens antihoraire.

**Voir les instructions du fabricant.*

Facultatif : installation d'un pied

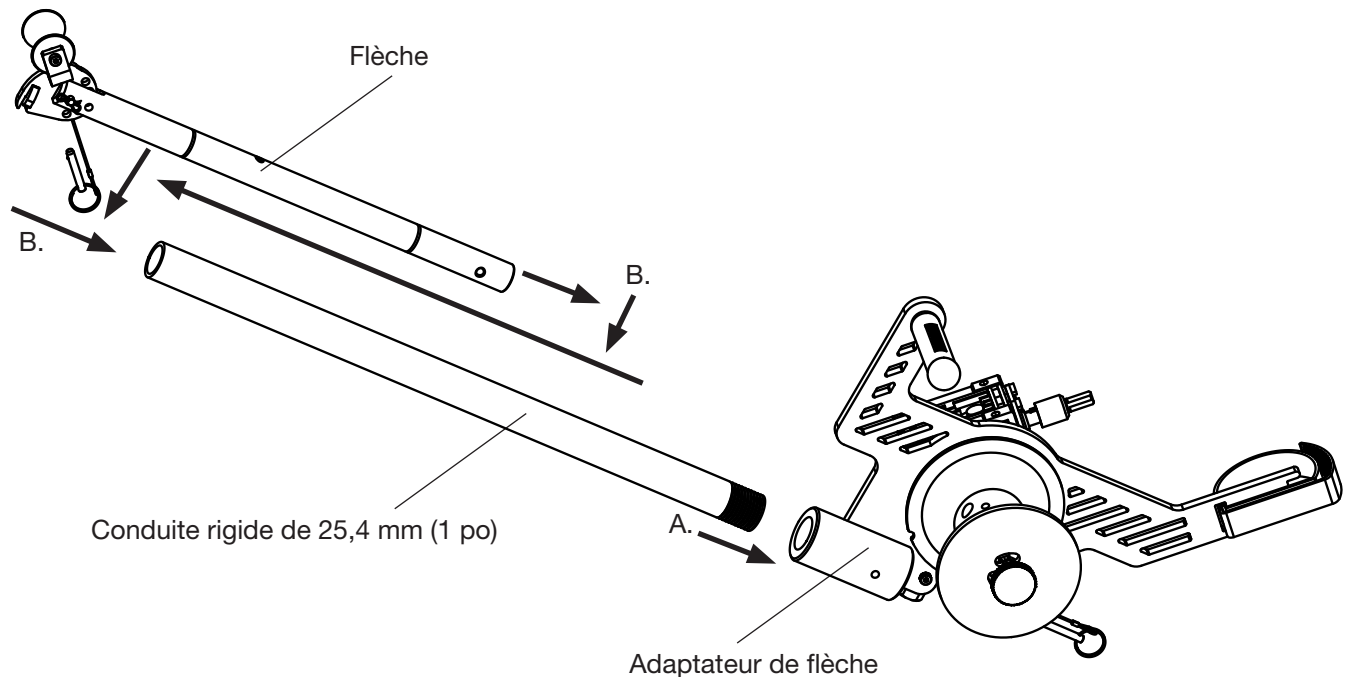
1. Couper une conduite EMT de 6,4 mm (1/2 po) à la longueur souhaitée.
2. Insérer la conduite dans l'adaptateur du pied.
3. Desserrer la vis à oreilles jusqu'à ce que la conduite s'insère bien jusqu'au fond de l'adaptateur du pied.
4. Serrer la vis à oreilles jusqu'à ce qu'elle maintienne fermement la conduite.

*Faire attention lors du serrage de la vis à oreilles.
Un serrage excessif peut entraîner l'élimination des filetages de l'adaptateur du pied.



Facultatif : fixation d'une rallonge de flèche

1. Sélectionner un morceau de conduite rigide de 25,4 mm (1 po) et découper la longueur si nécessaire. Veiller à laisser une extrémité filetée intacte.
2. Retirer la flèche du tire-câble G1 Versi-Tugger. (Se reporter p. 14 pour des instructions supplémentaires.)
3. Enfiler la conduite rigide de 25,4 mm (1 po) dans l'adaptateur de la flèche. (A)
4. Insérer la flèche à l'extrémité de la conduite non filetée dans le tire-câble G1. (B)
5. Faire attention lors de l'utilisation d'une rallonge de flèche pour conduite, car le poids du tire-câble G1 Versi-Tugger augmente de manière significative.



Dépannage

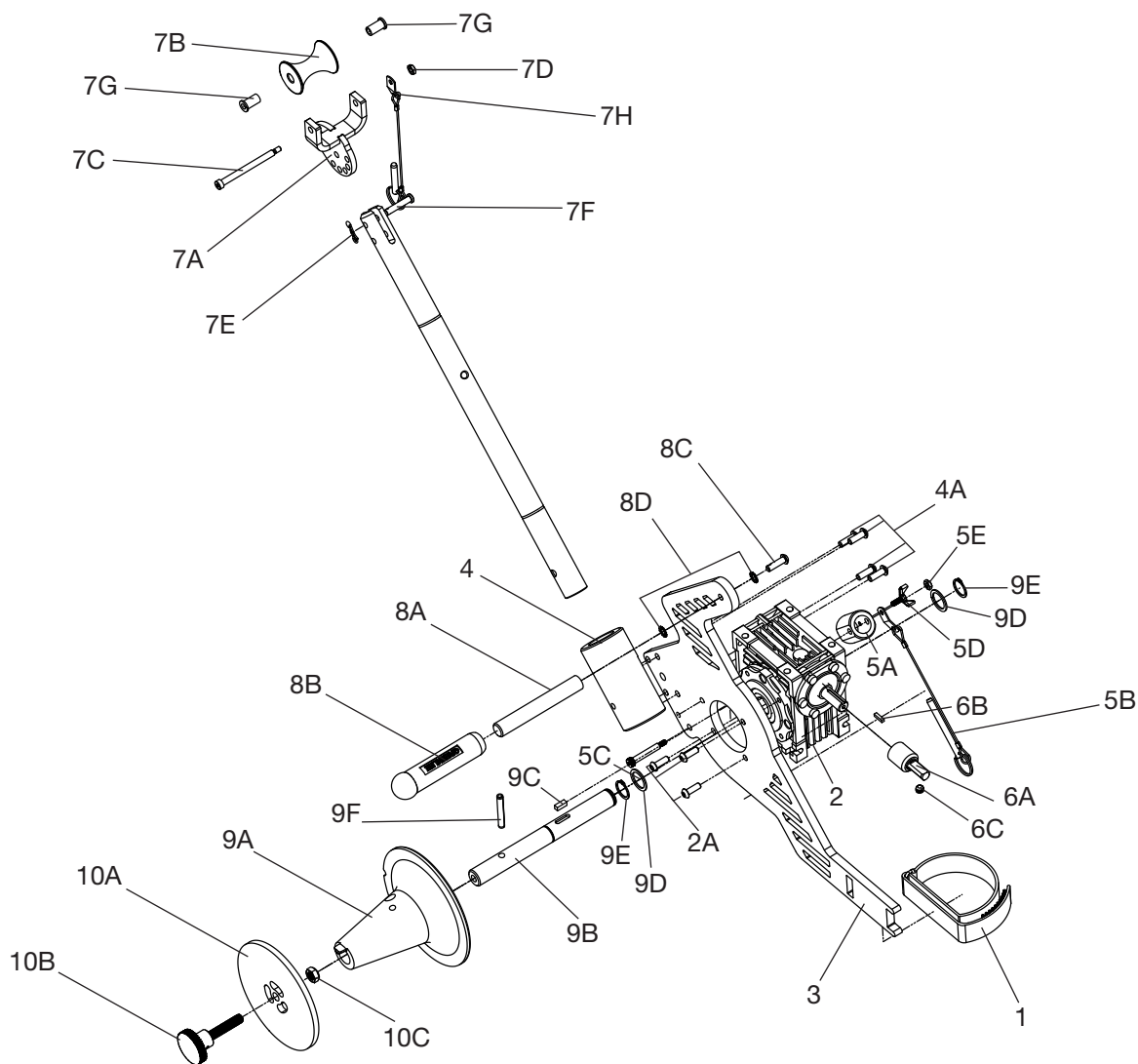
Si le tire-câble cesse de fonctionner, consulter le tableau de dépannage ci-dessous.

Problème	Cause probable	Solution probable
Lors d'une traction, la perceuse, l'arbre d'entrée ET le cabestan ont arrêté de tourner.	La batterie de la perceuse est faible ou vide.	Remplacer la batterie de la perceuse sans fil.
	La perceuse a calé, car la force de tirage est trop élevée.	Arrêter d'utiliser le tire-câble G1 Versi-Tugger et utiliser un tire-câble de plus grande capacité pour terminer le tirage du câble.
Au cours d'un tirage, le châssis commence à se plier et entre en contact avec le cabestan.	La force du tire-câble dépasse 4,45 kN (1 000 lb).	Ne pas dépasser la force maximale de 4,45 kN (1 000 lb) pour éviter tout dommage matériel. L'unité reste complètement opérationnelle.
La perceuse et l'arbre d'entrée tournent, mais PAS le cabestan.	La clavette de l'arbre de sortie s'est cisailée en raison d'une surcharge provoquée par une perceuse ou un moteur non homologué.	Retirer l'arbre de sortie, remplacer la clavette et réassembler l'arbre de sortie.
La perceuse glisse de l'arbre d'entrée.	Le mandrin de la perceuse a été serré en fonction du diamètre de l'arbre d'entrée et non sur les trois méplats.	Retirer le mandrin de la perceuse de l'arbre d'entrée. Refixer le mandrin de la perceuse sur l'arbre d'entrée et veiller à ce que les dents du mandrin de la perceuse s'accouplent correctement avec les trois méplats de l'arbre d'entrée.
La paroi du cabestan ne se visse pas dans le cabestan.	Le mauvais alignement des filets peut être causé par un mauvais ajustement entre la paroi du cabestan et la patte anti-dévissement du cabestan.	Réaligner les filets du bouton sur la paroi du cabestan pour qu'ils soient dans l'axe du cabestan et s'assurer que la patte anti-dévissement du cabestan est insérée dans les encoches radiales de la paroi du cabestan. Puis enfiler le bouton sur la paroi du cabestan dans le cabestan.
La poignée tourne autour du châssis.	Le produit est tombé ou a été déplacé avec force par la poignée.	Serrer la vis de la poignée à l'aide d'une clé hexagonale ou d'une clé Allen.
L'arbre d'entrée glisse de la boîte d'engrenages.	Le produit a chuté trop lourdement ou a fait l'objet de vibrations importantes.	Serrer la vis de l'arbre d'entrée à l'aide d'une clé hexagonale ou d'une clé Allen.
Le câble se rompt pendant le tirage, lorsqu'il sort de la conduite.	Le câble frotte sur le bord de la conduite.	Vérifier que la tête de tirage est montée de sorte que le câble ne se frotte pas contre le bord de la conduite et utilise le rouleau.
Le câble se rompt à proximité de la tête de tirage.	Le câble est bloqué entre la tête et le rouleau.	Positionner le câble de sorte qu'il passe au-dessus du rouleau, et non à côté de celui-ci.
Le câble se bloque ou se rompt à proximité du cabestan.	Le câble est pris entre le cabestan et le châssis.	Positionner le câble pour l'enrouler autour du cabestan en le tendant afin qu'il ne glisse pas entre le cabestan et le châssis.

Entretien

Inspecter régulièrement tous les aspects et composants du tire-câble G1 Versi-Tugger pour s'assurer que l'appareil est en bon état de fonctionnement avant utilisation. Si des pièces manquantes ou sont cassées, NE PAS L'UTILISER et le faire réparer dans un centre de réparation Greenlee agréé.

La boîte d'engrenages est préremplie d'un lubrifiant synthétique haute température. Par conséquent, il n'est pas nécessaire d'effectuer d'entretien sur la boîte d'engrenages.

Vue éclatée et liste de pièces

Liste des pièces : tire-câble G1 Versi-Tugger

N°	Réf. catalogue	Description	Qté
1	G1-R12	Cerclage de perceuse.....	1
2		Boîte d'engrenages.....	1
2A		Vis d'assemblage à tête ronde (M6 x 18 mm [0,7 po]).....	3
3		Châssis.....	1
4		Adaptateur de flèche.....	1
4A		Vis d'assemblage à tête ronde pour l'adaptateur de flèche (6,4 mm-20 x 19,1 mm [1/4 po-20 x 3/4 po])	4
5	G1-R18	Trousse d'adaptateur de pied.....	1
5A		<i>Adaptateur de pied</i>	1
5B		<i>Goupille à démontage rapide avec cordon (6,4 mm x 57,2 mm [1/4 po x 2 1/4 po])</i>	1
5C		<i>Vis à épaulement (6,4 mm x 34,9 mm [1/4 po x 1 3/8 po])</i>	1
5D		<i>Vis à oreilles (n° 10-32 x 12,7 mm [1/2 po])</i>	1
5E		<i>Contre-écrou (n° 10-24)</i>	1

Vue éclatée et listes de pièces (suite)
Liste des pièces : tire-câble G1 Versi-Tugger (suite)

N°	Réf. catalogue	Description	Qté
6	G1-R11	Trousse d'arbre d'entrée	1
6A		Arbre d'entrée.....	1
6B		Clé (3,2 mm x 3,2 mm x 12,7 mm [1/8 po x 1/8 po x 1/2 po]).....	1
6C		Vis de serrage (7,9 mm-24 x 6,4 mm [5/16 po-24 x 1/4 po])	1
7	G1-R14	Trousse pour la flèche.....	1
7A		Tête du tire-câble.....	1
7B		Réa de la tête du tire-câble.....	1
7C		Vis à épaulement (6,4 mm x 63,5 mm [1/4 po x 2 1/2 po])	1
7D		Contre-écrou (n° 10-24).....	1
7E		Goupille fendue en nœud papillon (1,6 mm [1/16 po])	1
7F		Axe à épaulement (6,4 mm 31,8 mm [1/4 po x 1 1/4 po]).....	1
7G		Bague à collerette.....	2
7H		Goupille à démontage rapide avec cordon (6,4 mm x 27 mm [1/4 po x 1 1/16 po]).....	1
8	G1-R15	Trousse de la poignée	1
8A		Poignée	1
8B		Manche de poignée	1
8C		Vis d'assemblage à tête ronde de la poignée (6,4 mm x 22,2 mm [1/4 po x 7/8 po])	1
8D		Rondelle de verrouillage externe (6,4 mm [1/4 po])	2
9	G1-R16	Trousse du cabestan.....	1
9A		Cabestan.....	1
9B		Arbre du cabestan	1
9C		Clé (4,8 mm x 4,8 mm 12,7 mm [3/16 po x 3/16 po x 1/2 po])	1
9D		Rondelle (19,1 mm [3/4 po]).....	2
9E		Bague de retenue externe (19,1 mm [3/4 po])	2
9F		Goupille fendue (6,4 mm x 44,5 mm [1/4 po x 1 3/4 po])	1
10	G1-R13	Trousse de la paroi du cabestan.....	1
10A		Paroi du cabestan	1
10B		Bouton sur la paroi du cabestan	1
10C		Contre-écrou (9,5 mm-16 [3/8 po-16])	1
11	G1-R19	Ensemble de décalques et de mises en garde (non illustré).....	1
11A		Décalque de mise en garde.....	1
11B		Décalque pour la paroi du cabestan du tire-câble G1	1
11C		Décalque d'informations sur le produit G1	1
11D		Décalque du logo Greenlee	1

Vue éclatée et listes de pièces (suite)

Liste des pièces : tire-câble G1 Versi-Tugger (utiliser le document de l'ensemble pour associer le numéro aux composants) (suite)

N°	Réf. catalogue	Description	Qté
12	G1-R17	Trousse de matériel.....	1
5D		Vis à oreilles (n° 10-32 x 12,7 mm [1/2 po])	1
6B		Clé (3,2 mm x 3,2 mm x 12,7 mm [1/8 po x 1/8 po x 1/2 po]).....	1
9C		Clé (4,8 mm x 4,8 mm x 12,7 mm [3/16 po x 3/16 po x 1/2 po])	1
9D		Rondelle (19,1 mm [3/4 po]).....	2
9E		Bague de retenue externe (19,1 mm [3/4 po])	2
13	G1-R20	Trousse de goupilles à démontage	1
13A		Goupille à démontage rapide avec cordon (6,4 mm x 55,6 mm [1/4 po x 2 3/16 po])	1
7H		Goupille à démontage rapide avec cordon (6,4 mm x 27 mm [1/4 po x 1 1/16 po]).....	1

