



**GREENLEE®**

A Textron Company

**MADE FOR THE TRADE!™**


**T** USA  
**Equipment**  
**.NET**

An Interworld Highway, LLC Company

Call Us 1.877.571.7901

**UT10-2S**  
**ULTRA**  
**TUGGER® 10**  
**AND MOBILE VersiBOOM™ II**





Easy to store  
and transport

## 2 SPEED ULTRA TUGGER® & MOBILE VersiBOOM™ II

Pulling isn't easy! No two cable pulls are ever the same: different conduit materials, length of pulls, number of bends, even the environments for the pull are all examples of the challenges you face to get the job done. Add that to the fact that time is money and electricians have a real challenge.

Greenlee has a solution! A faster way to overcome many of the challenges you face in pulling while also enhancing your bottom line - the NEW 2 Speed Ultra Tugger® (UT10-2S) and the Mobile VersiBoom™ II.

This dynamic solution will help you complete all your cable pulling faster, safer and easier.

### 2 SPEED ULTRA TUGGER® (UT10-2S)

is a one-stop-shop! The only 2 speed puller on the market that can shift from high speed/low load pulling to low speed/high load pulling with a simple double-tap motion on the foot pedal control switch.

Use for cable pulls requiring high as well as low pulling loads. The no-load high speed is 16 ft./min. and is best suited for loads up to 4,000 lbs. where the speed will be 12 ft./min. The no-load low speed is 9 ft./min. and can be used on loads up to 8,000 lbs. where the speed will be 6 ft./min., or a momentary peak capacity of 10,000 lbs.

### MOBILE VersiBOOM™ II

sets up in less than 2 minutes and can be used in every pulling situation. This combination of speed and versatility can increase your productivity, equaling more pulls in a day and delivering greater benefit to your bottom line!



The Ultra Tugger® 10 (UT10-2S) can be removed from the Mobile VersiBOOM™ II with ease to be floor mounted or chain mounted to conduit.



## Versatility for different pulling situations.

*"We used the new UT10-2S & Mobile VersiBOOM™ for pulling 300 MCM cable. We averaged 250' over 10 pulls, and each pull averaged less than 8 minutes each. This saved us half the time that would normally be used to complete this type of cable pull, saving us 2 hours per person, which for a 3 man crew was 6 hours of labor savings per pull."*

**Tony Schaffer**  
Project Foreman, Ballard Electric



*"We used the new UT10-2S cable puller and Mobile VersiBOOM™ from Greenlee to pull 500 MCM copper 25 KV cable. We were able to average 10+ feet per minute and complete an average of three 1000' pulls per day, saving approximately 16 hours of pulling time over the entire project. With a six person crew this saved us 100 hours of labor."*

**John Hauser**  
Project Foreman, The Morse Group

The UT10-2S has the option of being mounted on the Mobile VersiBOOM™ II, floor mounted (pictured left) or chain mounted.

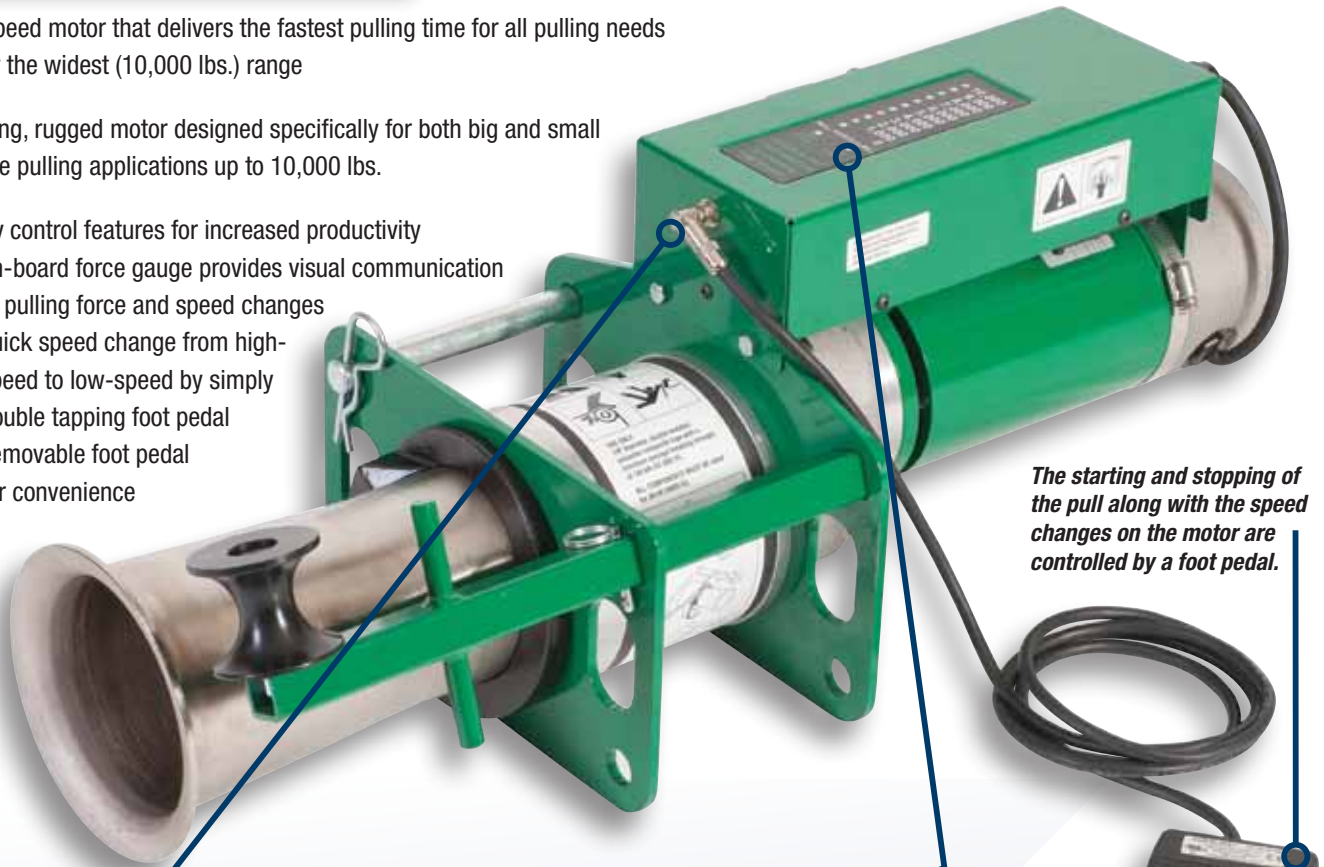
[www.greenlee.com](http://www.greenlee.com)

**UT10-2S**  
& MOBILE VersiBOOM™ II

# ULTRA TUGGER® 10

## Product Features

- 2-Speed motor that delivers the fastest pulling time for all pulling needs over the widest (10,000 lbs.) range
- Strong, rugged motor designed specifically for both big and small cable pulling applications up to 10,000 lbs.
- Easy control features for increased productivity
  - On-board force gauge provides visual communication of pulling force and speed changes
  - Quick speed change from high-speed to low-speed by simply double tapping foot pedal
  - Removable foot pedal for convenience



The starting and stopping of the pull along with the speed changes on the motor are controlled by a foot pedal.

The foot pedal can be removed and stored separately for convenience.



The LED lights on the control box brightly display force during the pull in increments of 1,000 lbs.

## 2 Speed Motor for handling cable pulls faster.

### PULLING FORCE

0 lbs. to 6,500 lbs. (0 kN to 28.9 kN):

**CONTINUOUS OPERATION**

6,500 lbs. to 8,000 lbs. (28.9 kN to 35.6 kN):

**15 MINUTES ON / 15 MINUTES OFF**

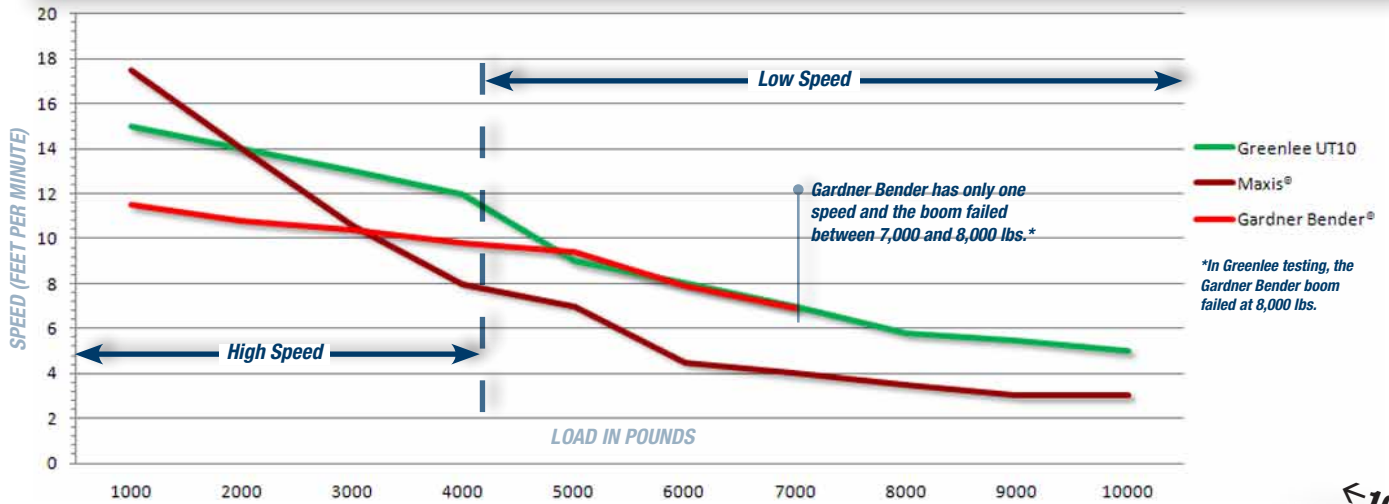
8,000 lbs. to 10,000 lbs. (35.6 kN to 44.5 kN):

**MOMENTARY**

	LOW Speed	HIGH Speed
No Load:	—	16 ft/min (4.88 m/min)
2,000 lbs. (8,900 N):	—	14 ft/min (4.27 m/min)
4,000 lbs. (17.8 kN):	—	12 ft/min (3.66 m/min)
6,000 lbs. (26.7 kN):	7 ft/min (2.13 m/min)	—
8,000 lbs. (35.6 kN):	6 ft/min (1.83 m/min)	—

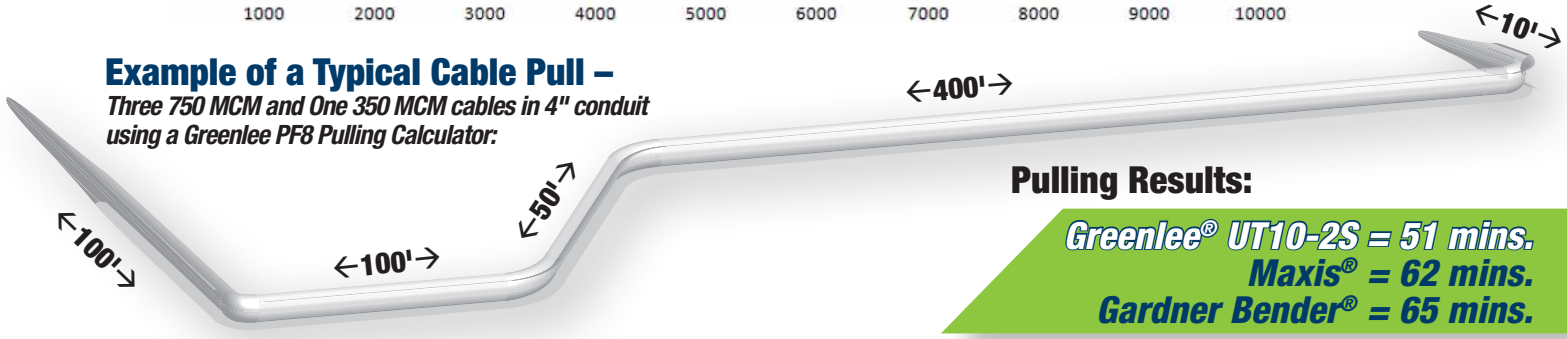


The **UT10-2S** offers the widest range and fastest times for all your pulling needs.



\*In Greenlee testing, the Gardner Bender boom failed at 8,000 lbs.

**Example of a Typical Cable Pull –**  
 Three 750 MCM and One 350 MCM cables in 4" conduit  
 using a Greenlee PF8 Pulling Calculator:

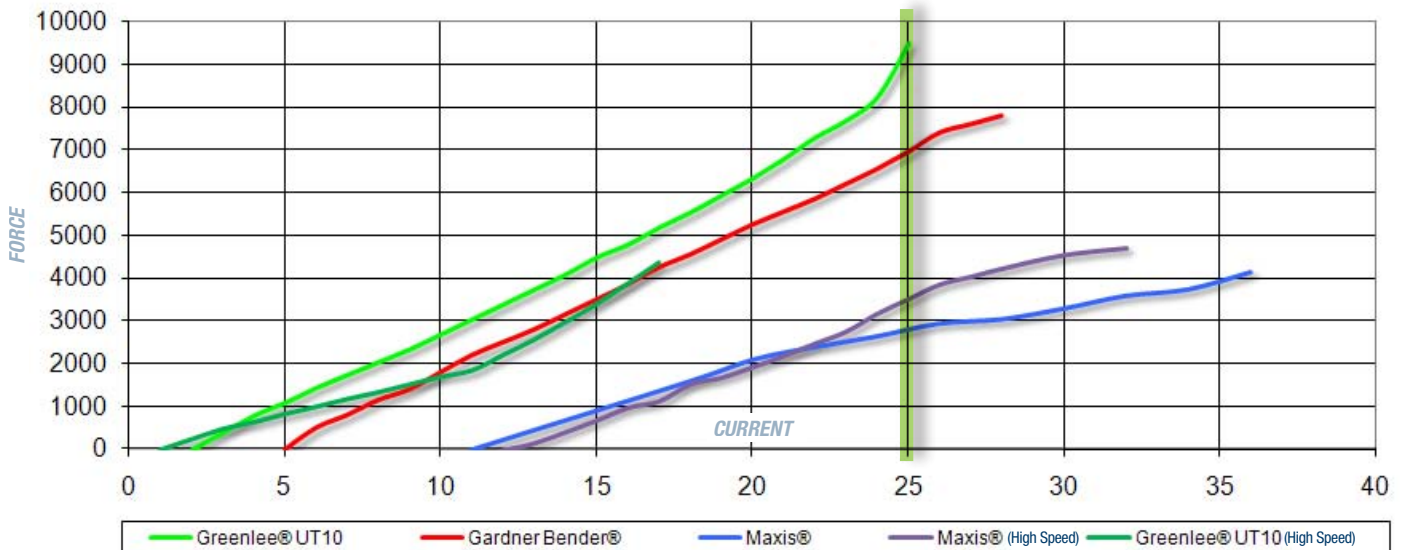


**Pulling Results:**

**Greenlee® UT10-2S = 51 mins.**  
**Maxis® = 62 mins.**  
**Gardner Bender® = 65 mins.**

**Strong, rugged motor designed specifically for big and small cable pulling applications.**

The UT10-2S motor and gearing is designed specifically for heavy-duty cable pulling applications. Greenlee's 2 speed motor provides consistently stronger pulling power at less amperage, which increases durability and provides a steady pull speed.



Maxis® and Gardner Bender® units draw more than 25A current at loads greater than 5000 lbs. and 7000 lbs. respectively which can trip the circuit on the job site where the typical circuits are 15A–20A. Greenlee UT10-2S has a circuit breaker which would trip before puller components fail. Maxis® and Gardner Bender® do not have circuit breakers in their units.

# MOBILE VersiBOOM™ II

**SIMPLE 1 PERSON SET-UP IN LESS THAN 2 MINUTES:**



Lift the boom to desired angle using crank



Position the Elbow to desired angle



Position the Nose just over conduit and lower adapter into conduit by cranking the boom lower







*MOBILE VersiBOOM™ H*  
**VERSATILE**



## Product Features

### *Set-up in less than 2 minutes*

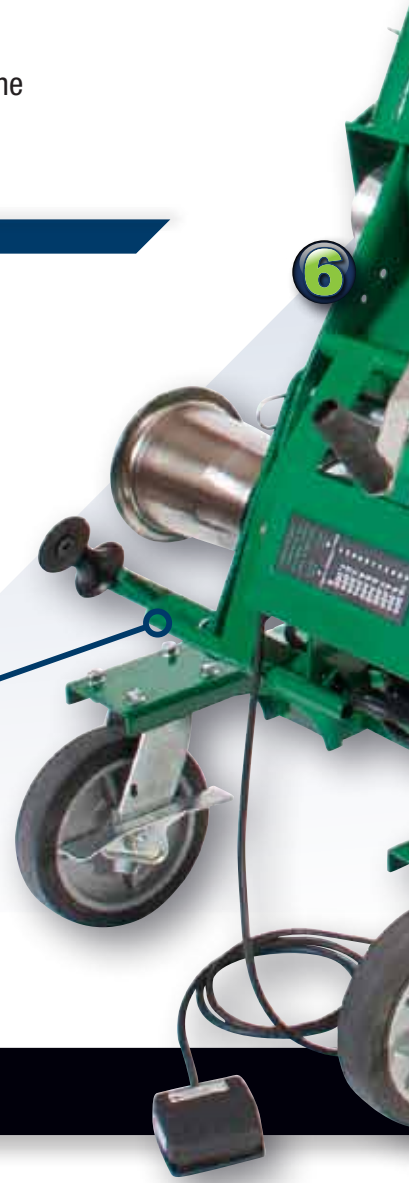
1. Boom lift using a hand crank provides ultimate safety to lift heavy loads.
2. Quick set-up with quick disconnect system to adjust the nose or elbow piece 360 degrees.
3. Conduit adapter available for 2" – 5" conduits. Optional screw-on adapters and hanger for storage available.
4. Swivel casters move easily on rough terrain on the construction site.
5. Flat-free wheels avoid down-time.
6. Fully contained unit.
7. Handle for pushing unit on the jobsite.

### *Versatility to change set-up*

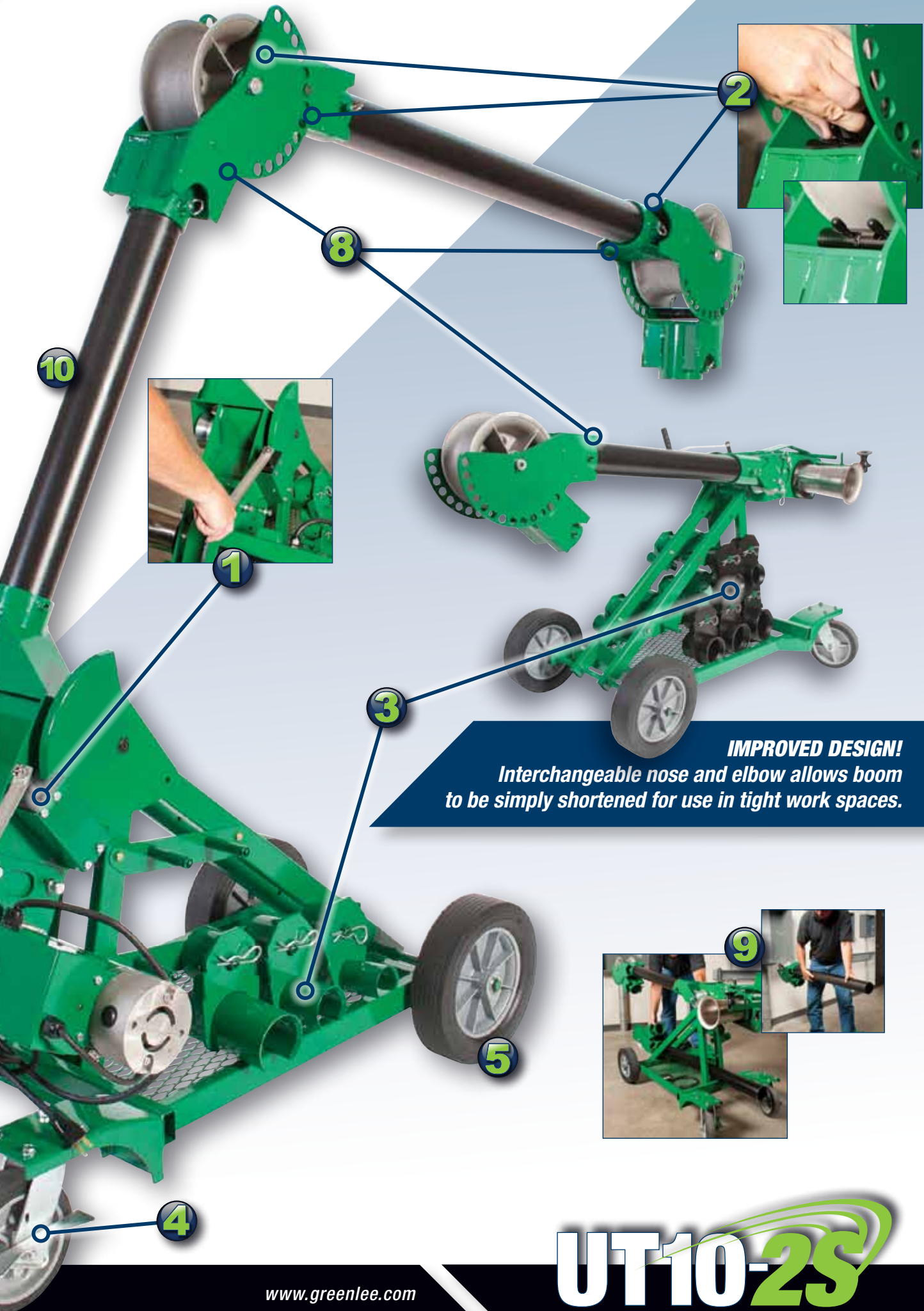
8. Nose and elbow piece assembly is now the same allowing the unit to be shortened to only 1 boom with minimal set up.
9. On-board storage for disassembled boom.
10. The boom can be extended up to 20'.
11. The puller itself can be disassembled with ease to be floor-mounted or chain mounted to conduit.

### *Easy to store and transport*

12. Mobile Versi Boom™ II can be folded up in less than 2 minutes and can be stored on the back of a pick-up truck.







**IMPROVED DESIGN!**  
*Interchangeable nose and elbow allows boom to be simply shortened for use in tight work spaces.*

[www.greenlee.com](http://www.greenlee.com)

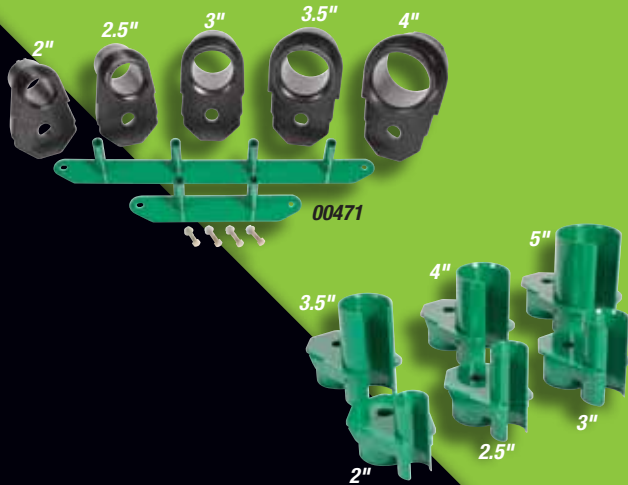
# UT10-2S

**& MOBILE VersiBOOM™ II**

# Ordering Information

Cat No.	UPC	Description	Qty
6900	00357	UT10-2S Package with Floor mount	1
6901	00358	UT10-2S Package with Chain mount	1
6906	00359	UT10-2S Package with Mobile VersiBoom™ II	1
MVB	00553	Mobile VersiBoom™ II	1
UT10-2S	05528	Puller Assembly	1
6506	00365	UT5 Package with Mobile VersiBoom™ II	1
6506-22	00367	UT5-22 Package with Mobile VersiBoom™ II	1
6806	00362	UT8 Package with Mobile VersiBoom™ II	1
6806-22	00369	UT8-22 Package with Mobile VersiBoom™ II	1
00471	00471 <b>A</b>	Coupling Hanger Kit	1
00563	00563 <b>A</b>	Adapter Weldment, 2" (UT8)	1
00564	00564 <b>A</b>	Adapter Weldment, 2-1/2"	1
00565	00565 <b>A</b>	Adapter Weldment, 3" (UT8)	1
00566	00566 <b>A</b>	Adapter Weldment, 3-1/2"	1
00567	00567 <b>A</b>	Adapter Weldment, 4" (UT8)	1
00583	00583 <b>A</b>	Adapter Assembly, 2" Screw-On	1
00584	00584 <b>A</b>	Adapter Assembly, 2-1/2" Screw-On	1
00585	00585 <b>A</b>	Adapter Assembly, 3" Screw-On	1
00586	00586 <b>A</b>	Adapter Assembly, 3-1/2" Screw-On	1
00587	00587 <b>A</b>	Adapter Assembly, 4" Screw-On	1
00588	00588 <b>A</b>	Hanger Weldment, Short	1
00589	00589 <b>A</b>	Hanger Weldment, Long	1
00590	00590 <b>A</b>	Screw On Coupling Kit	1
00610	00610 <b>A</b>	Adapter Weldment, 5" (UT8)	1

**R** = REPLACEMENT PART **A** = ACCESSORY



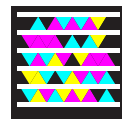
[www.greenlee.com](http://www.greenlee.com) • MA-5676 10/11

4455 Boeing Drive • Rockford, IL 61109-2988 • USA • 815-397-7070

©2011 Greenlee Textron Inc. • An ISO 9001 Company • Printed in USA

Greenlee Textron Inc. is a subsidiary of Textron Inc.

Scan with your smart phone to view the product video.



Get the free mobile app at <http://gettag.mobi>