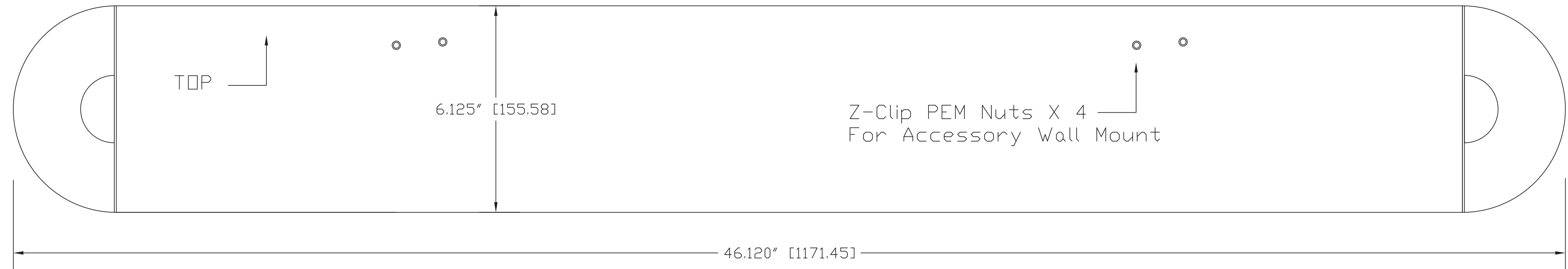
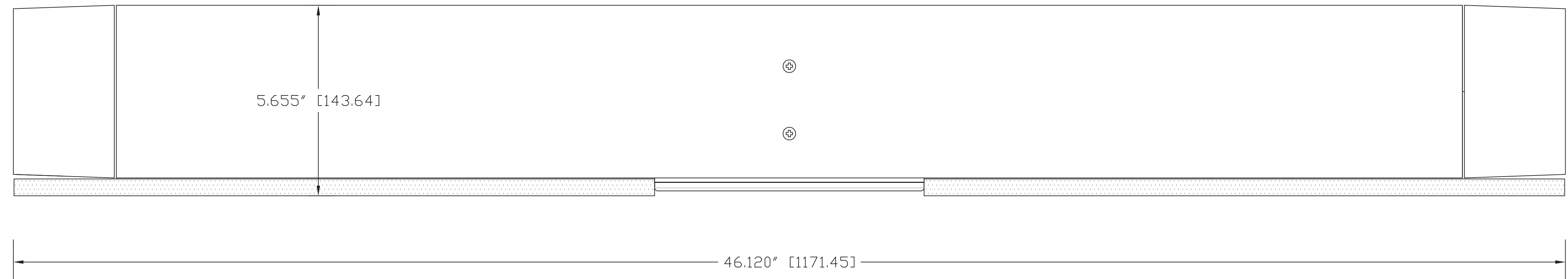


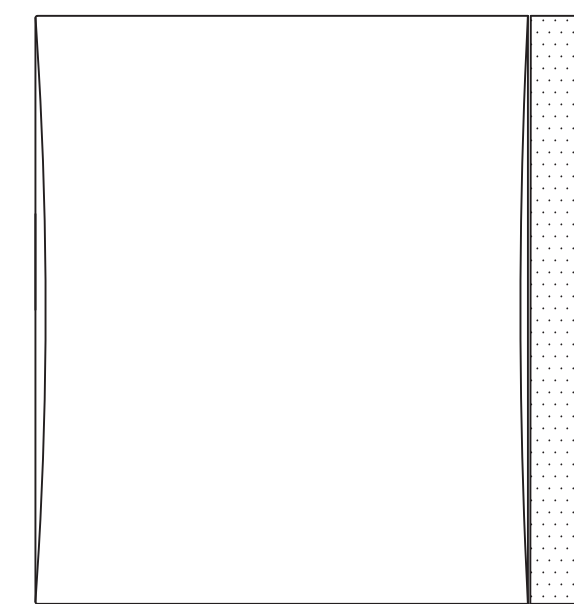
REAR VIEW



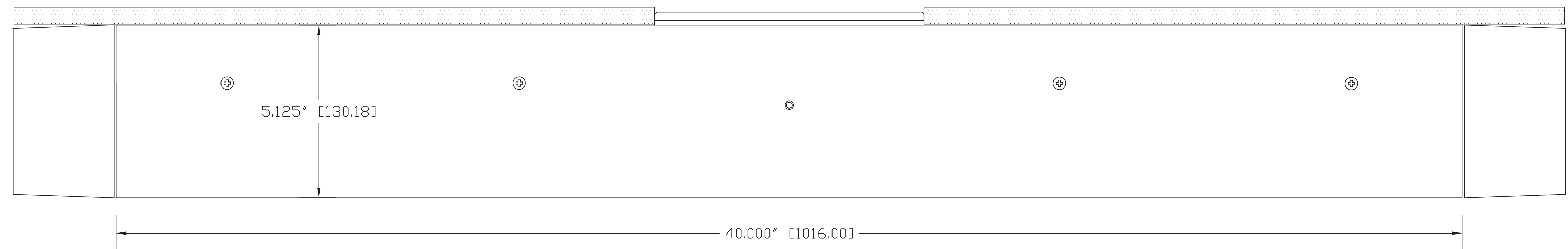
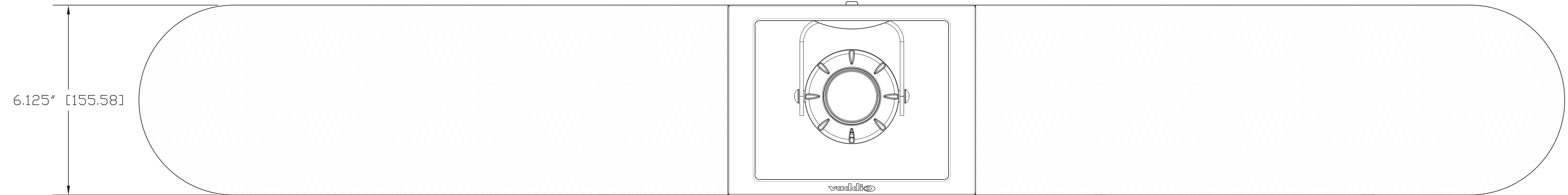
TOP VIEW



5.655" [143.64]



SIDE VIEW



Touchboards

205 Westwood Ave, Long Branch, NJ 07740
Phone: 866-94 BOARDS (26273) / (732)-222-1511
Fax: (732)-222-7088 | E-mail: sales@touchboards.com

vaddio		GENERAL NOTES: DIMENSIONS ARE IN INCHES (IN) UNLESS OTHERWISE NOTED. DO NOT DISTRIBUTE WITHOUT EXPRESS WRITTEN PERMISSION OF VADDIO. DUE TO OUR CONTINUING EFFORTS TO ENHANCE OUR PRODUCTS, WE RESERVE THE RIGHT TO CHANGE SPECIFICATIONS WITHOUT PRIOR NOTICE OR OBLIGATION.	
GroupSTATION CAMERA/SOUND BAR		PN: 998-8810-000	
Includes 19X Zoom Camera, Speakers, Amps and Interface			
DRAWN RAR	CHECKED	APPROVED RAR	DATE 08/30/2013
THIS DRAWING, INCLUDING ALL SUBJECT MATTERS INDICATED THEREON OR DERIVED THEREFROM, COMPRISES PROPRIETARY INFORMATION AND IS THE EXPRESS PROPERTY OF VADDIO. All Rights Reserved - Copyright © 2013			
MATERIALS CRS SHT, VARIOUS GAUGE BLACK POWDERCOAT - BK303	SCALE 1:2	DRAWING No. 8810-000	REV B
COMMENTS Surface Polarizing Inhibitor (SPi) - NOT INCLUDED	SIZE D		