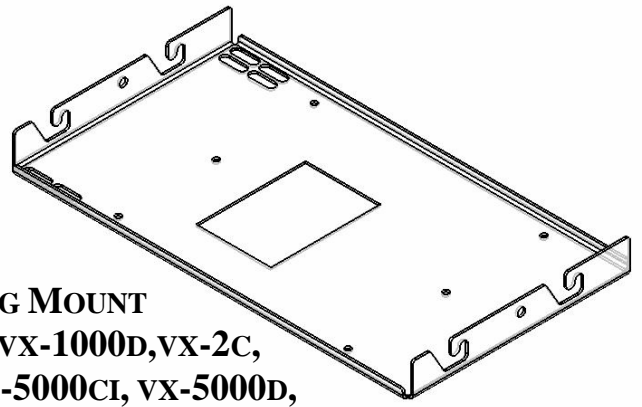




205 Westwood Ave, Long Branch, NJ 07740  
 Phone: 866-94 BOARDS (26273) / (732)-222-1511  
 Fax: (732)-222-7088 | E-mail: sales@touchboards.com



## HB-010R

### VIDEO PROJECTOR CEILING MOUNT

FOR RUNCO VX-1000C, VX1000CI, VX-1000D, VX-2C,  
 XV-4000CI, VX-4000D, VX-5000C, VX-5000CI, VX-5000D,

The Chief HB010R video projector ceiling mount is designed to provide fast, simple and secure installation of the Runco VX-1000c, . Special roll, pitch, yaw and horizontal adjustments simplify projection positioning for image alignment. The HB010R mount also has positive registration lock so that the projector may be removed without losing projector mount registration.

**WARNING: IMPROPER INSTALLATION MAY RESULT IN SERIOUS PERSONAL INJURY!** All components must be securely fastened to each other and to the ceiling, **AND** the ceiling **MUST** be capable of supporting 5 times the total weight of the installation. If it cannot, the ceiling **MUST** be reinforced.

Unpack and check contents:

- |  |   |
|--|---|
| (1) Deluxe ceiling mount housing assembly.   | (6) #10 washers, flat                   |
| (1) Runco mounting bracket                   | (6) 10 - 32 x 3/8" Screws, PH, Phillips |
| (4) 5/16" Flange Nuts                        | (6) 10 - 32 x 2" Screws, PH, Phillips   |
| (6) Nylon Spacer .50" OD X .26"ID X 1.625 TL |   |

#### INSTALLATION INSTRUCTIONS

1. Turn your projector upside down.
2. Place the (6) Nylon Spacers over the six threaded inserts in the bottom of the projector .
3. Place the Runco mounting bracket on the six nylon spacers on the bottom of the projector so the hooks are facing the back and the six holes in the bracket line up the six threaded inserts in the bottom of the projector.
4. Slide the (12) #10 washers, two on each (6) 10-32 x 2" Screw and install them into the six threaded inserts in the projector. **Securely tighten all six mounting screws at this time.**
5. Be sure that the method of support you are using for the VCM ceiling mount is securely installed to the ceiling. If not, the ceiling must be reinforced. Improper installation may result in serious personal injury.
6. Attach the VCM housing to your method of support and tighten firmly so the VCM housing is square to the screen.

**PRECAUTION:** *Installing a ceiling mount requires the presence of two persons familiar with mechanical installations. A third assistant is recommended.*

6. With the help of your assistants, lift the projector and install it to the four studs extending from the mounting plate. Be sure the Runco mounting plate is seated in slots. **Tighten securely** using the (4) 5/16" flange nuts.

**For projector alignment see attached sheet.**