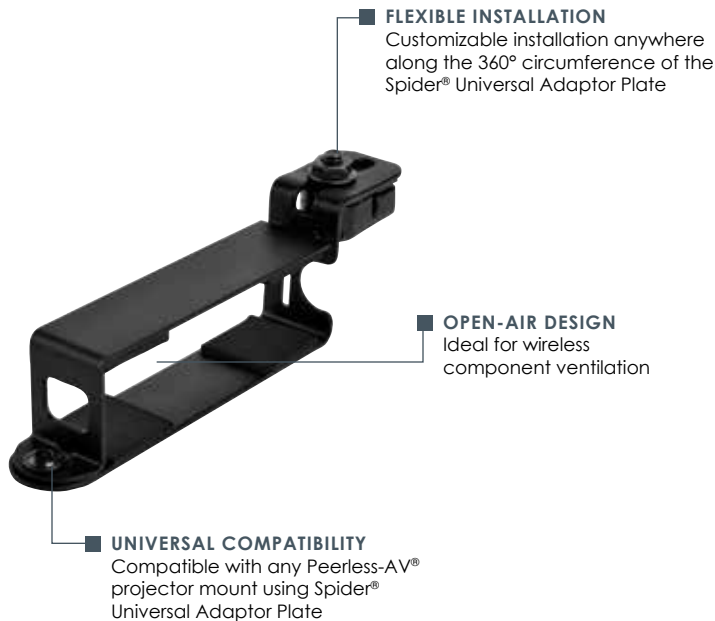


PeerAir™ Wireless Projector Integration Module

For use with HD Flow™ and HD Flow™ Pro models and projector mounts using Peerless-AV® Spider® Universal Adaptor Plate



Quick and easy installation and plug-and-play wireless set-up
(Shown with PRG-UNV projector mount and HD Flow™ Pro Wireless Multimedia Kit HDS200, sold separately)



Shown with Peerless-AV® Projector Mount (PRG-UNV), Wireless Projector Integration Module (HDS-PWM-200) and HD Flow™ Pro Wireless Multimedia Kit (HDS200)

Features

- Designed to support HDS200-R Wireless Multimedia Receivers
- Compatible with Peerless-AV® Projector mounting solutions using Spider® Universal Adaptor Plate
- Flexible installation anywhere along the 360° circumference of the Spider® Universal Adaptor Plate
- Horizontal adjustability to aesthetically accommodate virtually any projector size
- Includes security and non-security wireless component installation hardware
- Quick and easy installation

PeerAir™ Wireless Integration Module for projectors is designed to support HD Flow™ Pro Multimedia Kit (HDS200)*, quickly and easily integrating the Wireless Multimedia Kit to any projector mounted on a selection of Peerless-AV® projector mounts using Spider® Universal Adaptor Plate. The integration module provides an easy to retrofit, secure solution for the support of HD Flow™ Pro Multimedia Kit that enables wireless connectivity of content devices such as laptops, desktops and media players from anywhere within its 131ft (40m) radius through walls, floors or ceilings without having to manage messy cables on the ground or the extra expense and hassle from running cables.

* HD Flow™ Pro Multimedia Kit (HDS200) sold separately

HDS-PWM-200: PeerAir™ Wireless Projector Integration Module

Product Specifications

Part Number	HDS-PWM-200
Product Weight	0.55lb (0.25kg)
Finish	Scratch resistant fused epoxy
Color	Black

Package Specifications

PACKAGE SIZE (L x W x H)	PACKAGE SHIP WEIGHT	PACKAGE UPC CODE	PACKAGE CONTENTS	UNITS IN PACKAGE
HDS-PWM-200 7" x 3" x 3" (177 x 76 x 76mm)	0.65lb (0.29kg)	735029292814	<ul style="list-style-type: none"> Wireless module Mounting hardware Instruction manual 	1

Accessories



PRG-UNV:
PRG Projector Mount for projectors up to 50lb (22kg)



DE-HD0075B:
Delta 2.5ft (.75m) High Speed HDMI Cable with Ethernet

DE-HD01B:
Delta 3ft (1m) High Speed HDMI Cable with Ethernet



EC-HD015F:
1.5ft (.5m) High Speed HDMI Cable with Ethernet

EC-HD025F:
2.5ft (.75m) High Speed HDMI Cable with Ethernet

EC-HD03F:
3ft (1m) High Speed HDMI Cable with Ethernet



PJF2-UNV:
PJF2 Projector Mount for projectors up to 50lb (22kg)



HDS200:
HD Flow™ Pro Wireless Multimedia Kit



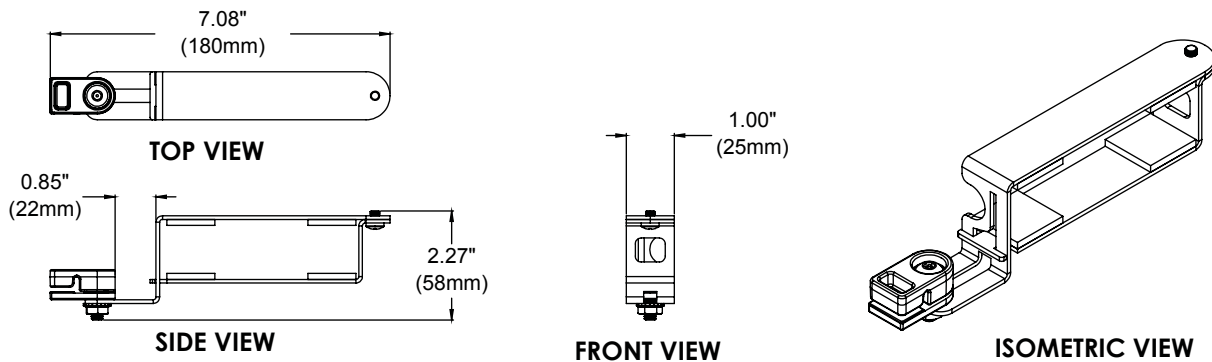
HDS-ASE:
Wireless Tx/Rx Security Enclosure for use with HD Flow and HD Flow Pro Models



ACC-CMS-4F:
4ft Cable Management Sheath

Note: For a full selection of projector mounting solutions using the Spider Universal Adaptor Plate visit peerless-av.com.

All dimensions = inch (mm)



ARCHITECTS SPECIFICATIONS

The Wireless Projector Integration Module shall be a Peerless-AV model HDS-PWM-200 and shall be located where indicated on the plans. Assembly and installation shall be done according to instructions provided by the manufacturer.