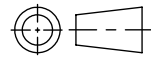
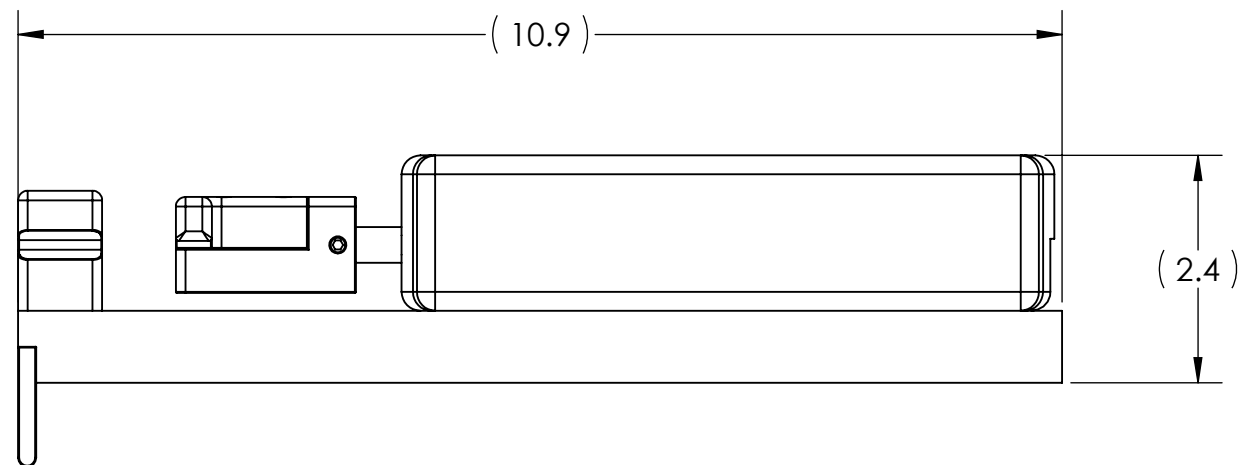
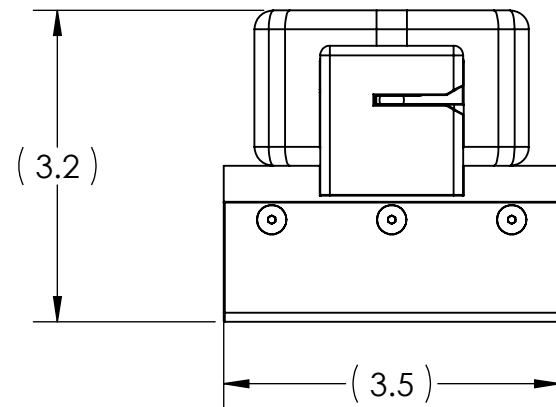
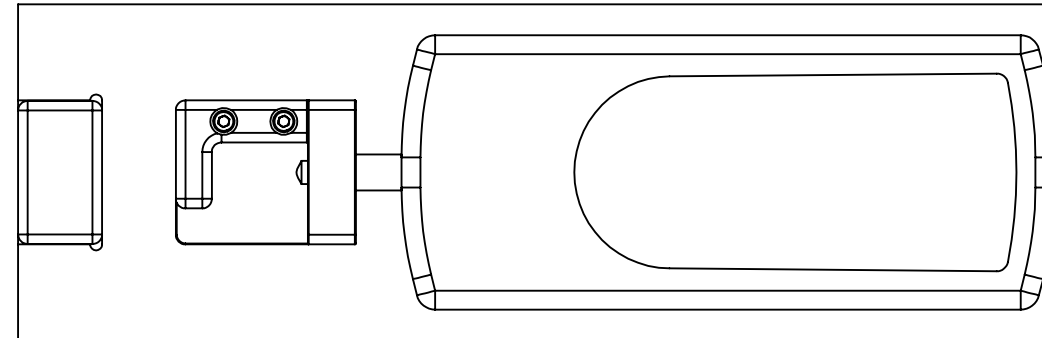
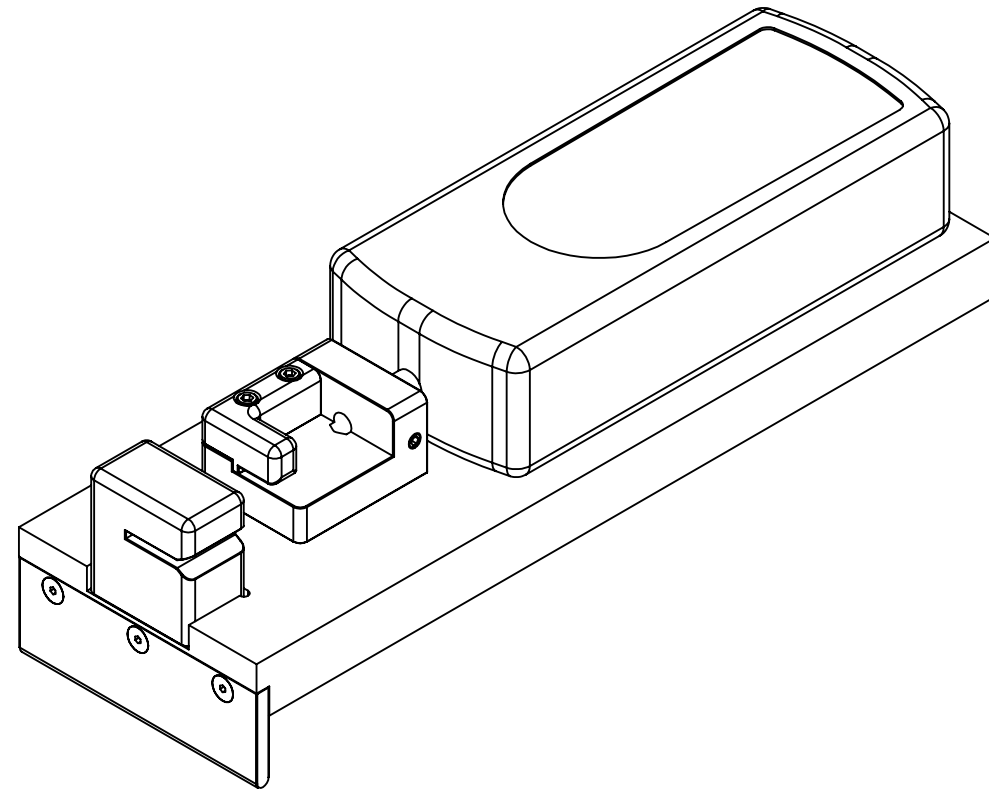


SW2009



Revision level		Revision Record	Changed	Date	Approved	Date
Drawing	Part					
03	-	SEE ECN# 011509	WKL	2/24/2010	WKL	02/24/2010



NOTES:
 1). SUPPLIED WITH CARRY CASE AND GAUGE CALIBRATION CERTIFICATE
 2). ROHS COMPLIANT

Notes	Material	Units inches Dimension without tolerances details to: .xxxx = ±.0005 .xxx = ±.005 .xx = ±.01 .x = ±.03 None = ±.06 < = ±0.5°	The copyright of this drawing is reserved by HellermannTyton. It is issued on condition that it is not reproduced, copied, or disclosed to a third party, either wholly or in part, without the consent of HellermannTyton.	Drawn	TJM	4/1/2009 9	Article/Type-No	110-99000	Scale	1:2	
				Approved	WKL	02/24/2010	Title	UNIVERSAL CALIBRATOR	Project Number	PRP08-018	
				North America Email: corp@htamericas.com Web: www.hellermann.tyton.com			Drawing-No	TS08-018-100CST	Production : Phase	Format	B
									Sheet	1/1	