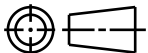
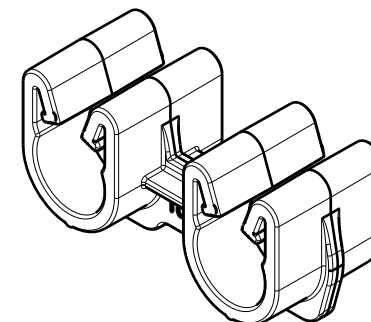
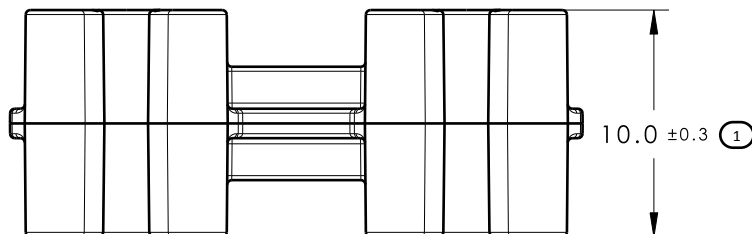


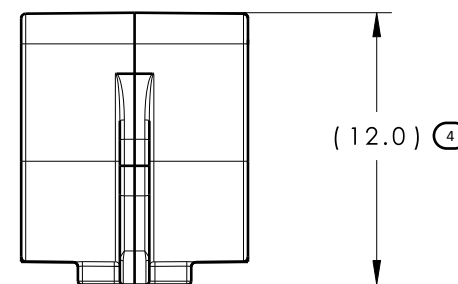
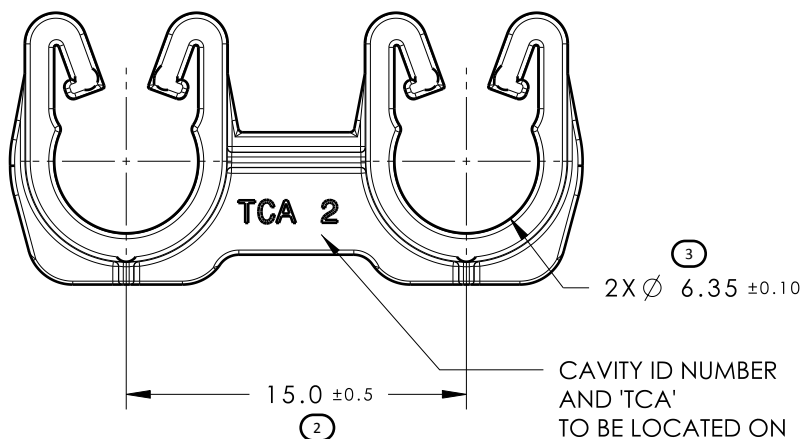
CATIA V5



Revision Level			Revision Record	Changed	Date	Approved	Date
Drawing	State	Part					
02.1	Design Release		SEE ECN# 013962	TAT	7/26/17	KVH	7/26/17



ISOMETRIC VIEW
SCALE 2:1



REFERENCE:

- 1. CLIP PUSH ON FORCE: 55 NEWTONS (12.5 LBS) MAX USING NOMINAL PIN SIZE OF 6.35MM

NOTES:

- 1. MAXIMUM PERCENT REGRIND PERMISSIBLE: 25%
- 2. MAX ALLOWABLE FLASH OR MISMATCH TO BE 0.5MM

CAVITY ID NUMBER AND 'TCA' TO BE LOCATED ON THIS SURFACE



Material PA66HIRHS COLOR: BLACK	Units	millimeters	Drawn	TAT	01/24/17	Article/Type-No	PC6.5X2	Scale	3:1
	Tolerance defined on each dimension	The copyright of this drawing is reserved by HellermannTyton. It is issued on condition that it is not reproduced, copied or disclosed to a third party, either wholly or in part, without the consent of HellermannTyton.	Approved	KVH	01/25/17	Title	TWO 6.35MM CLIPS	Project Number	17-0124
			HellermannTyton North America Email: corp@htamericas.com Web: www.hellermann.tyton.com			Drawing-No	PRODUCTION : Phase	Format	AH
						17-0124-011-CSU		Sheet	1/1