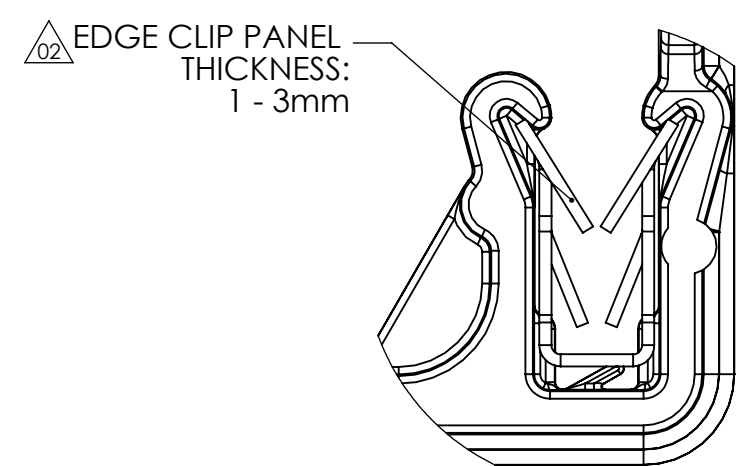
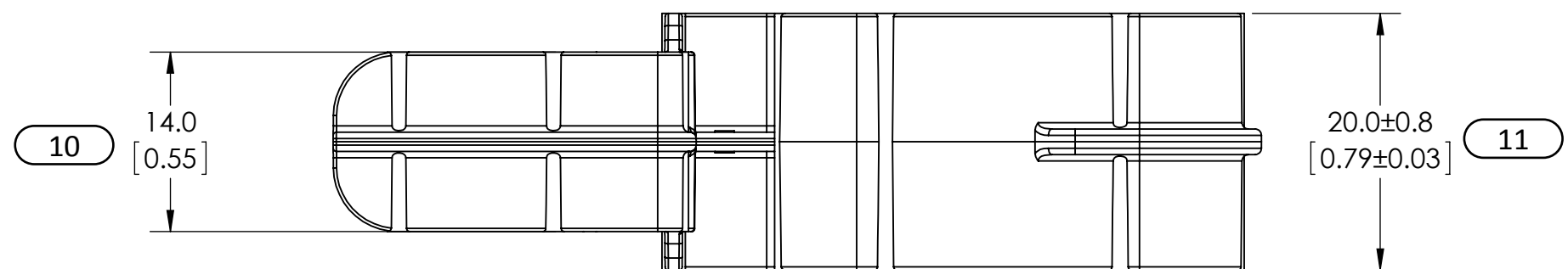
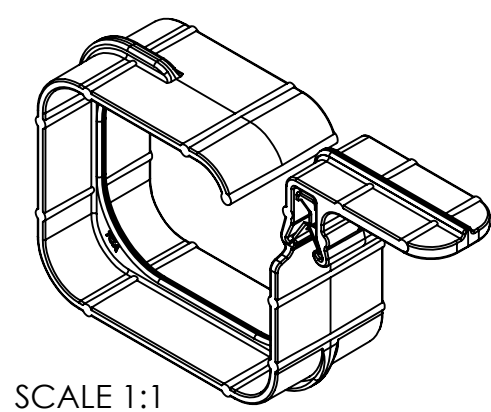
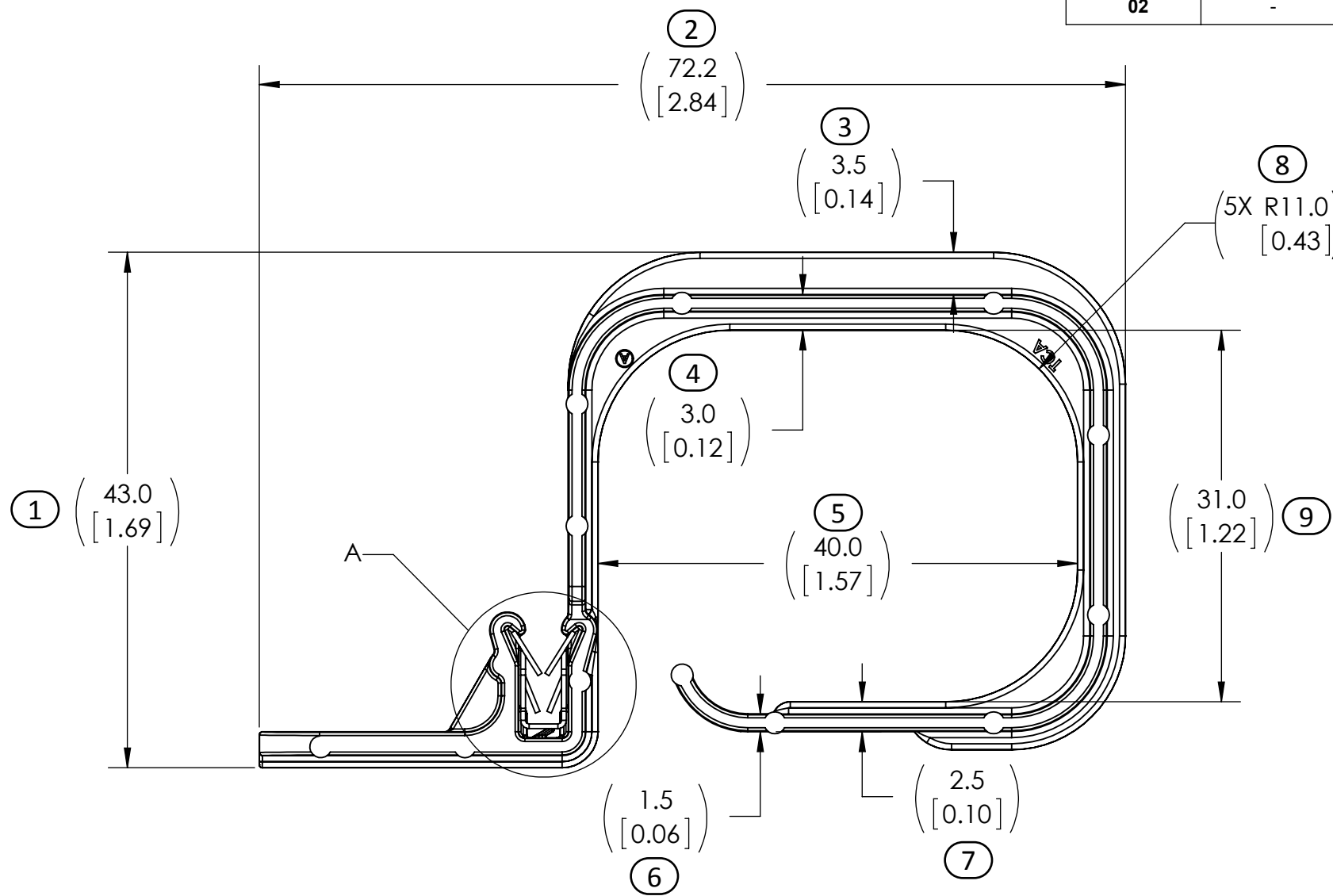


SW2011



Revision level		Revision Record	Changed	Date	Approved	Date
Drawing	Part					
02	-	SEE ECN# 012513	CJR	11/18/2013	CJR	12/20/2013



Notes

Material
PA66HIRHSUV WITH METAL
EDGE CLIP

Units: millimeters
Dimension without
tolerances details to:
.xxx = ±.013
.xx = ±.13
.x = ±.3
None = ±.8
∠ = ±0.5°
Dimension Formatted mm/[in]

The copyright of this drawing is reserved by HellermannTyton. It is issued on condition that it is not reproduced, copied, or disclosed to a third party, either wholly or in part, without the consent of HellermannTyton.

Drawn CJR 02/07/2013
Approved CJR 02/08/2013
HellermannTyton
North America
Email: corp@htamericas.com
Web: www.hellermann.tyton.com

Article/Type-No RCEC
Title RECTANGULAR CLIP WITH EDGE CLIP - 1mm TO 3mm
Drawing-No 12-0713-001-CSU
Production : Phase

Scale 2:1
Project Number PRP12-0713
Format B
Sheet 1/1