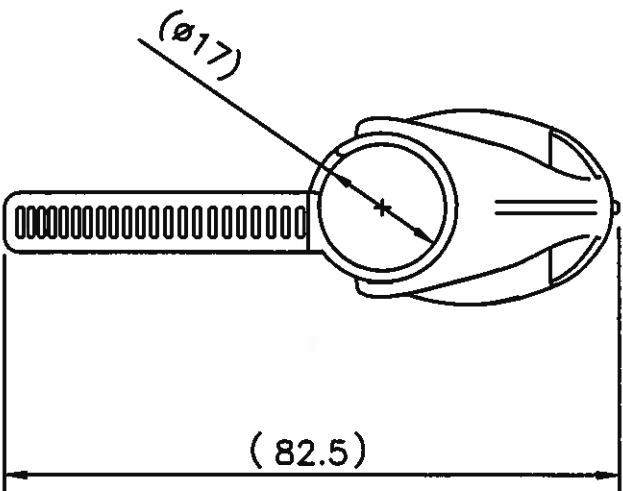
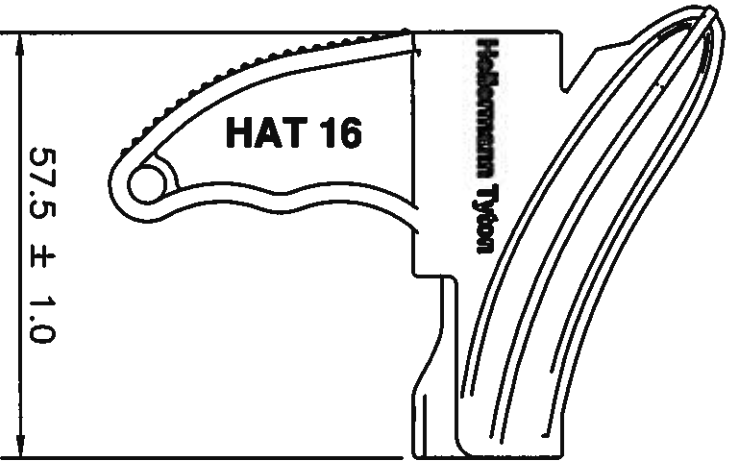


Revision level		Revision Record		Changed	Date	Approved	Date
Part	Drawing			ALOMAX	02/03/05	S.BENTICK	02/03/05
	01	(ø17)	READ ø17.0 ± 0.3				



Material P.A.66

Dimension without tolerances details to:

DIN 16901

Tolerances
PERFORMANCE
SPECIFICATION

ACAD



The copyright of this drawing is reserved by HELLERMANNTYTON.

It is issued on condition that it is not reproduced, copied or disclosed to a third party, either wholly or in part, without the consent of HELLERMANNTYTON.

Drawn	ALOMAX	22/07/04
Approved.	S.BENTICK	22/07/04

HellermannTyton

Network Products Group

Sharnon Green Business Park,
Manchester M22 4TY.
Tel: 0161 945 4181
Fax: 0161 947 2228

Scale	1:1
Title	HAT 16

HAT 16

Drawing-No

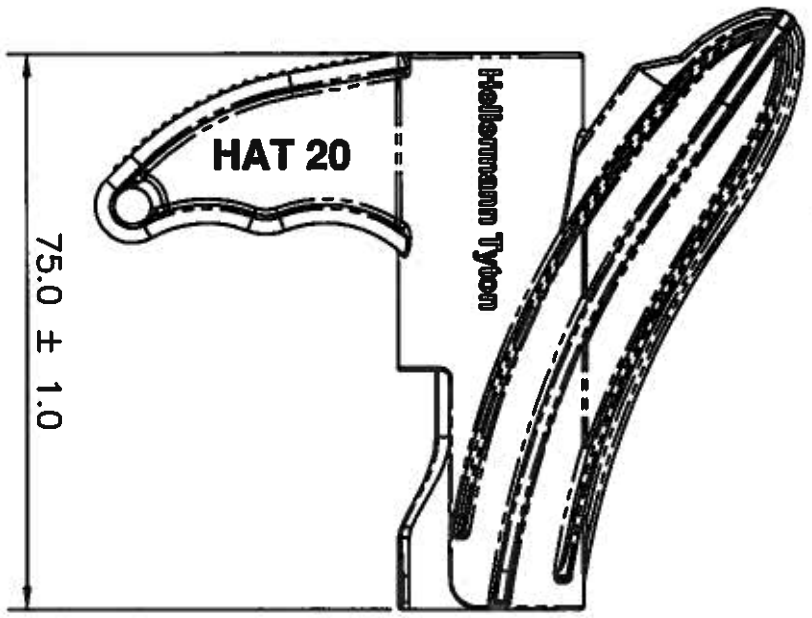
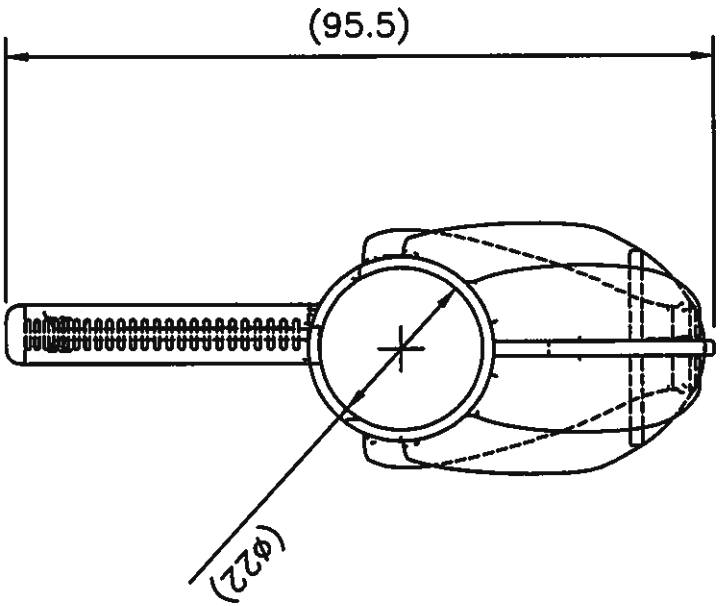
CD1413-01

Format

A4

Sheet 1 of 1

Revision level		Revision Record		Changed	Date	Approved	Date
Part	Drawing						
	01	($\phi 22$) READ $\phi 22.0 \pm 0.3$		ALOMAX	02/03/05	S.BENTICK	02/03/05



Material P.A.66
 Dimension without tolerances
 details to:
 DIN 16901

ACAD

The copyright of this drawing is reserved by HELLERMANNTYTON.
 It is issued on condition that it is not reproduced, copied or disclosed to a third party, either wholly or in part, without the consent of HELLERMANNTYTON.

Drawn: ALOMAX 22/07/04
 Approved: S.BENTICK 22/07/04

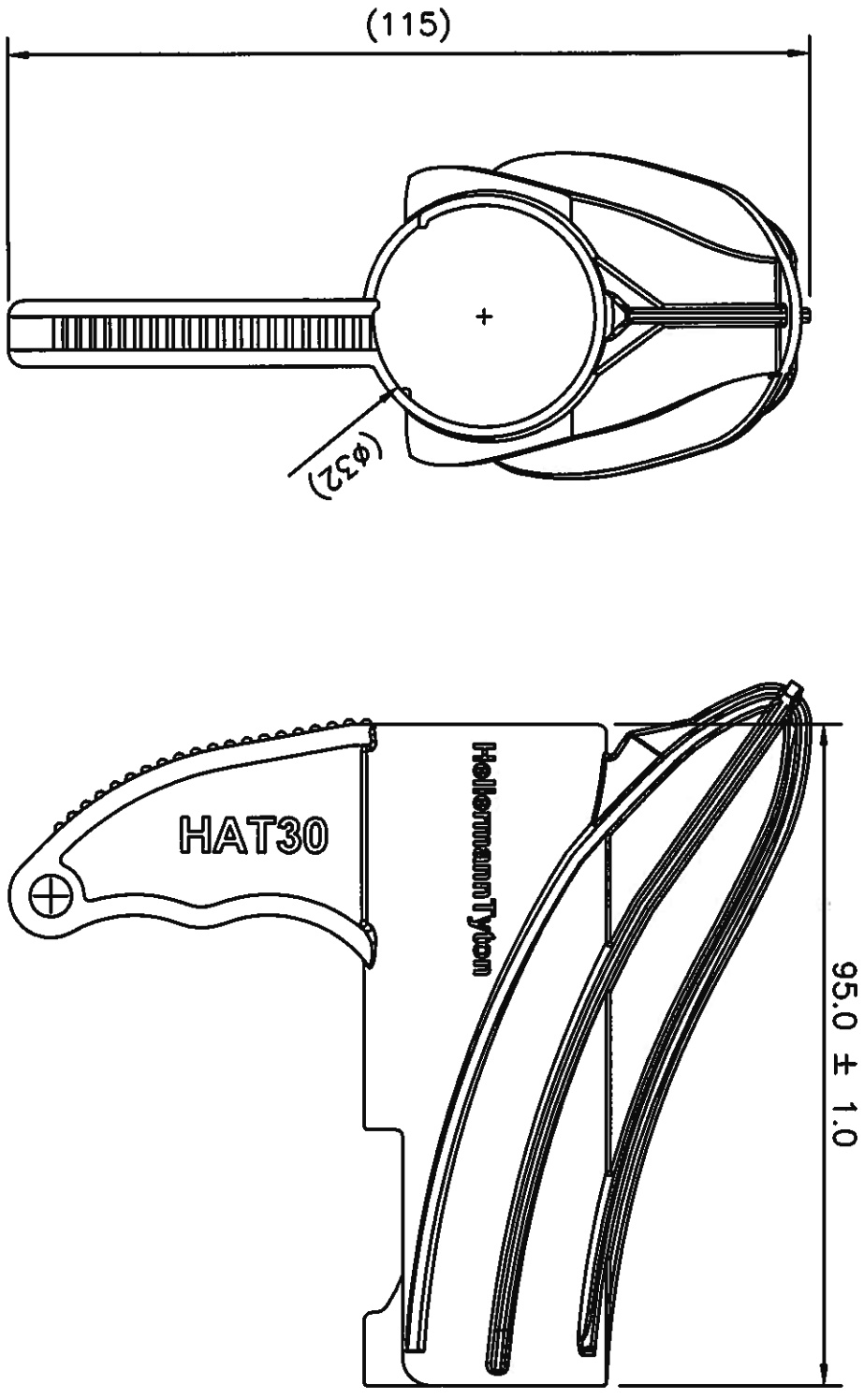
HellermannTyton
 Network Products Group
 Shorston Green Business Park,
 Manchester M22 4TY.
 Tel: 0161 945 4181
 Fax: 0161 947 2228

Scale 1:1
 Title HAT 20

Drawing-No CD1414-01

Format A4
 Sheet 1 of 1

Revision level		Revision Record		Changed	Date	Approved	Date
Part	Drawing			A10MAX	02/03/05	S.BENTICK	02/03/05
	01	($\phi 32$) READ	$\phi 32.0 \pm 0.3$				



Material P.A.66
 Dimension without tolerances details to:
 DIN 16901

Tolerances
 PERFORMANCE
 SPECIFICATION

ACAD



The copyright of this drawing is reserved by HELLERMANN TYTON.
 It is issued on condition that it is not reproduced, copied or disclosed to a third party, either wholly or in part, without the consent of HELLERMANN TYTON.

Drawn	C.HOLDEN	14/01/05
Approved.	S.BENTICK	14/01/05

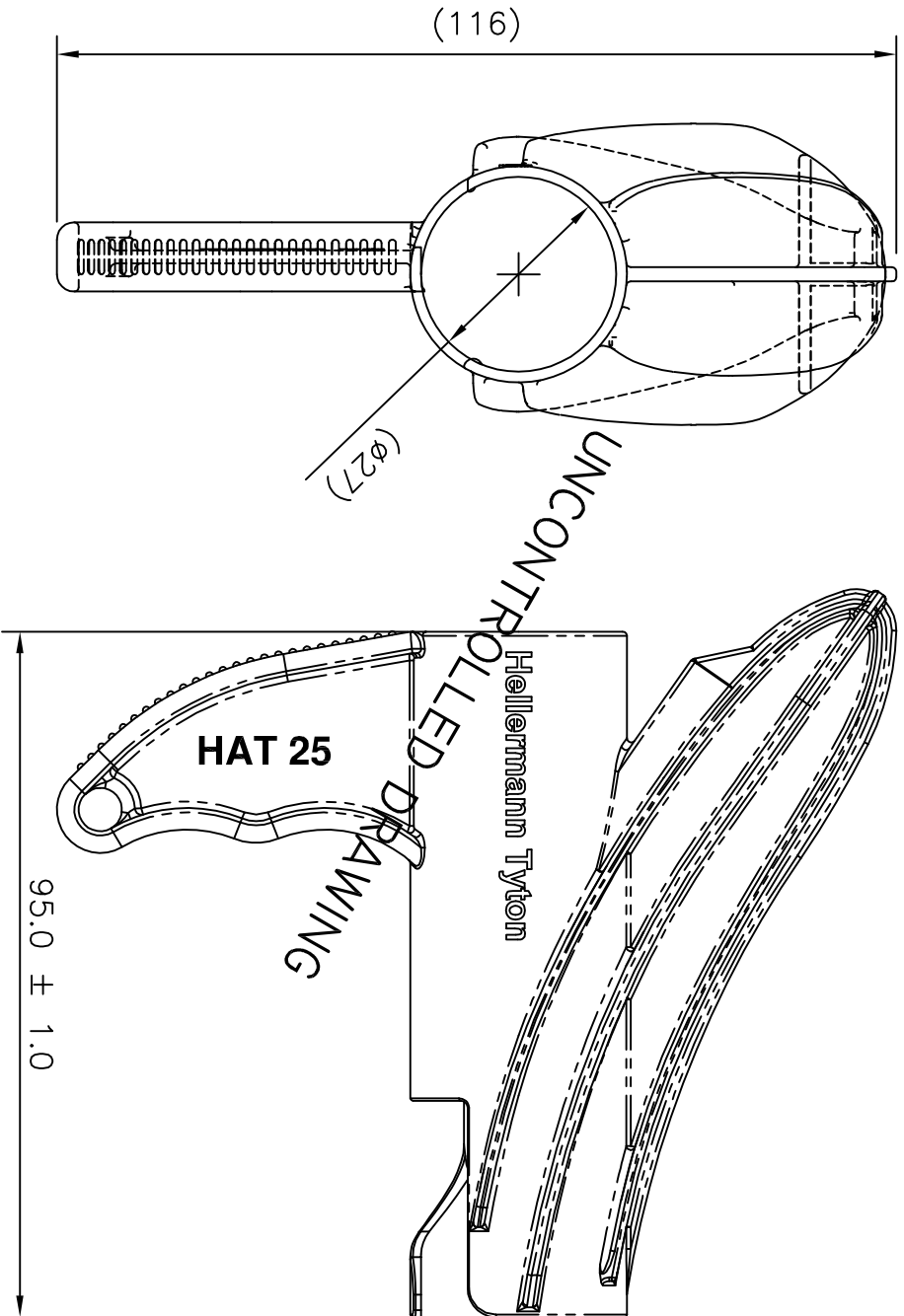
Scale	1:1
Title	HAT 30

HellermannTyton
 Network Products Group
 Sharston Green Business Park,
 Manchester M22 4TY.
 Tel: 0161 945 4181
 Fax: 0161 947 2228

Drawing-No
 CD1424-01

Format
 A4
 Sheet 1 of 1

Revision level		Revision Record			Changed	Date	Approved	Date
Part	Drawing							



Material P.A.66

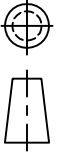
Dimension without tolerances details to:

DIN 16901

Tolerances

PERFORMANCE SPECIFICATION

ACAD



The copyright of this drawing is reserved

by HELLERMANN TYTON.

It is issued on condition that it is not reproduced, copied or disclosed to a

third party, either wholly or in part, without the consent of HELLERMANN TYTON.

Drawn	A.LOMAX	22/07/04
Approved.	S.BENTICK	22/07/04

Scale	1:1	CD1415-01
Title	HAT 25	

HellermannTyton

Network Products Group

Sharston Green Business Park,
Manchester M22 4TY.
Tel: 0161 945 4181
Fax: 0161 947 2228

Drawing-No

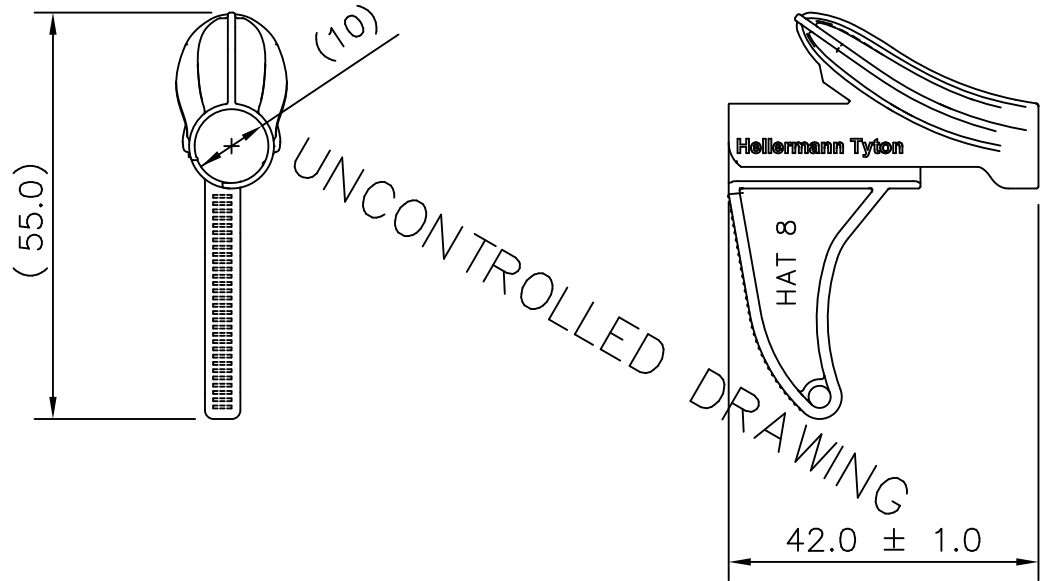
DWG-1752-00

Format

A4

Sheet 1 of 1

ACAD 	Revision level Indice Aenderungsstand		Revision Record Désignation Beschreibung der Aenderung	Changed Modifié Geändert	Date Datum	Approved Approuvé Geprüft	Date Datum
	Drawing Dessin Zeichnung	Part Pièce Solid					



Material
Matière
Werkstoff

P.A.66

Tolerances
Dimension without tolerances
details to:-

Tolérances
Cotes sans tolérances:-

Toleranzen
Masse ohne
Toleranzangaben nach:-

DIN 16901 / 140

The copyright of this drawing is reserved by HELLERMANN TYTON. It is issued on condition that it is not reproduced, copied or disclosed to a third party, either wholly or in part, without the consent of HELLERMANN TYTON.

La propriété de ce plan est réservée à la société HELLERMANN TYTON. Il est distribué à condition qu'il ne soit pas reproduit, communiqué ou révélé à une tierce partie, soit complètement ou en partie, sans le consentement de la société HELLERMANN TYTON.

Weitergabe sowie Vervielfältigung dieser Unterlage, Verwertung und Mitteilung ihres Inhalts nicht gestattet, soweit nicht ausdrücklich zugestanden. Zuwiderhandlungen verpflichten zu Schadensersatz. Alle Rechte fuer den Fall der Patenterteilung oder Gebrauchsmuster - Eintragung vorbehalten.

Drawn
Dessiné Par
Gezeichnet

H.ILES

30/03/11

Approved
Approuvé Par
Geprüft

S.BENTICK

30/03/11

HellermannTyton

Manchester

Telephone: +44 (0) 161 945 4181
Facsimile: +44 (0) 161 947 2228

Trappes

Téléphone: +33 (0) 1.30.13.80.00
Télécopie: +33 (0) 1.30.13.80.60

Tornesch

Telefon: +49 (0) 41 22 / 701-1
Telefax: +49 (0) 41 22 / 701-400

Scale
Echelle
Maszstab

1:1

Project Number
Numero de projet
Projektnummer

CD1412-02

Title
Titre
Benennung

HAT 8

Drawing-No
Plan-No
Zeichnungs-Nr

DWG-2185-00

Format
D.Size
A4

Sheet
Page
Blatt
1 of 1