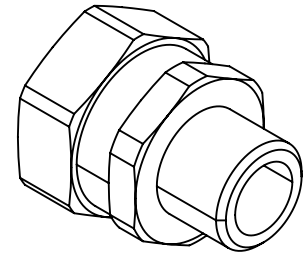
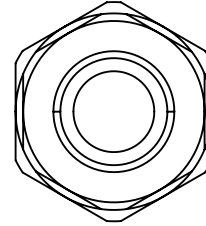
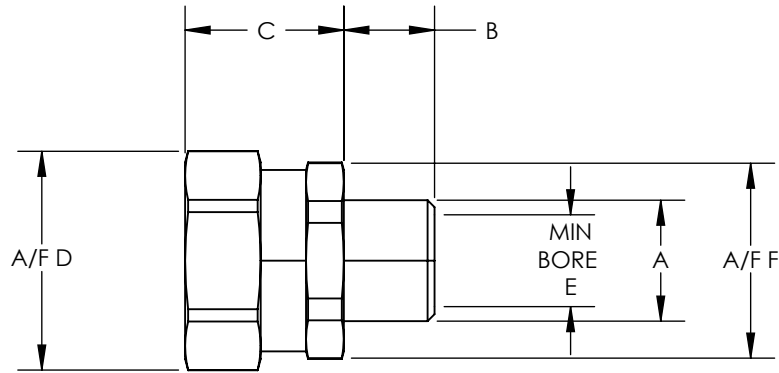


SW2014



Revision level			Revision Record	Changed	Date	Approved	Date
Drawing	State	Part					
00.0	Design Release		SEE ECN# 013639	GRW	12/1/2016	KAC	12/1/2016



Conduit Size		HellermannTyton Part Number	Manufacturer Reference Number	Thread	Dimension (mm)									
					A		B		C		D		E	
in.	mm			NPT or M	in.	mm	in.	mm	in.	mm	in.	mm	in.	mm
3/8	16.0	LTP16-050-CUL	LTP16-050-CUL	1/2 NPT	0.51	13.0	0.83	21.0	1.02	26.0	0.42	10.7	0.94	24.0
1/2	20.0	LTP20-050-CUL	LTP20-050-CUL	1/2 NPT	0.51	13.0	0.85	21.5	1.14	29.0	0.57	14.5	1.02	26.0
3/4	25.0	LTP25-075-CUL	LTP25-075-CUL	3/4 NPT	0.59	15.0	1.04	26.5	1.38	35.0	0.71	18.0	1.30	33.0
1	32.0	LTP32-100-CUL	LTP32-100-CUL	1 NPT	0.63	16.0	1.21	30.8	1.65	42.0	0.97	24.6	1.57	40.0
1-1/4	40.0	LTP40-125-CUL	LTP40-125-CUL	1-1/4 NPT	0.63	16.0	1.24	31.5	2.05	52.0	1.29	32.7	1.97	50.0
1-1/2	50.0	LTP50-150-CUL	LTP50-150-CUL	1-1/2 NPT	0.71	18.0	1.38	35.0	2.28	58.0	1.48	37.7	2.28	58.0
2	63.0	LTP63-200-CUL	LTP63-200-CUL	1-1/2 NPT	0.79	20.0	1.53	38.8	2.76	70.0	1.93	49.0	2.76	70.0
1/4	10.0	LTP10-M12-C	LTP10-M12-C	M12 X 1.5	0.39	10.0	0.65	16.4	0.79	20.0	0.22	5.6	0.79	20.0
1/4	10.0	LTP10-M16-C	LTP10-M16-C	M16 X 1.5	0.39	10.0	0.78	19.8	0.79	20.0	0.22	5.6	0.79	20.0
5/16	12.0	LTP12-M16-C	LTP12-M16-C	M16 X 1.5	0.39	10.0	0.78	19.8	0.94	24.0	0.34	8.6	0.87	22.0
3/8	16.0	LTP16-M16-C	LTP16-M16-C	M16 X 1.5	0.47	12.0	0.83	21.0	1.02	26.0	0.42	10.7	0.94	24.0
3/8	16.0	LTP16-M20-C	LTP16-M20-C	M20 X 1.5	0.47	12.0	0.83	21.0	1.02	26.0	0.42	10.7	0.94	24.0
1/2	20.0	LTP20-M20-CUL	LTP20-M20-CUL	M20 X 1.5	0.47	12.0	0.85	21.5	1.14	29.0	0.57	14.5	1.02	26.0
3/4	25.0	LTP25-M25-CUL	LTP25-M25-CUL	M25 X 1.5	0.55	14.0	1.04	26.5	1.38	35.0	0.71	18.0	1.30	33.0
1	32.0	LTP32-M32-CUL	LTP32-M32-CUL	M32 X 1.5	0.59	15.0	1.21	30.8	1.65	42.0	0.97	24.6	1.57	40.0
1-1/4	40.0	LTP40-M40-CUL	LTP40-M40-CUL	M40 X 1.5	0.63	16.0	1.24	31.5	2.05	52.0	1.29	32.7	1.97	50.0
1-1/2	50.0	LTP50-M50-CUL	LTP50-M50-CUL	M50 X 1.5	0.71	18.0	1.38	35.0	2.28	58.0	1.48	37.7	2.28	58.0
2	63.0	LTP63-M63-CUL	LTP63-M63-CUL	M63 X 1.5	0.79	20.0	1.53	38.8	2.76	70.0	1.93	49.0	2.76	70.0

NOTES:

- OPERATING TEMPERATURE
-58° F TO +275° F (-50° C TO +135° C)
- ROHS
- HF
- IP RATING IP68 + IP67 + IP68+ IP69
- FITS WITH UL360 SIZES
- FLAMMABILITY SELF-EXTINGUISHING
(EN 61386)
- UL LISTED TO UL514B
- PULL-OFF TENSILE STRENGTH 265 LBS (120KG)

Material
NICKEL PLATED BRASS
& POLYAMIDE 6

Units:

The copyright of this drawing is reserved by HellermannTyton. It is issued on condition that it is not reproduced, copied, or disclosed to a third party, either wholly or in part, without the consent of HellermannTyton.

Drawn GRW 12/1/2016
Approved KAC 12/1/2016
HellermannTyton
North America
Email: corp@htamericas.com
Web: www.hellermann.tyton.com

Article/Type-No LTP-C SERIES

Title
**HELAGUARD FIXED STRAIGHT
COMPRESSION FITTING FOR LTP METALLIC
CONDUITS WITH LIQUID TIGHT-COVER**

Drawing-No PRODUCTION : Phase

16-1968-001-CSU

Scale

Project Number

PRP 16-1968

Format AH

Sheet 1/1