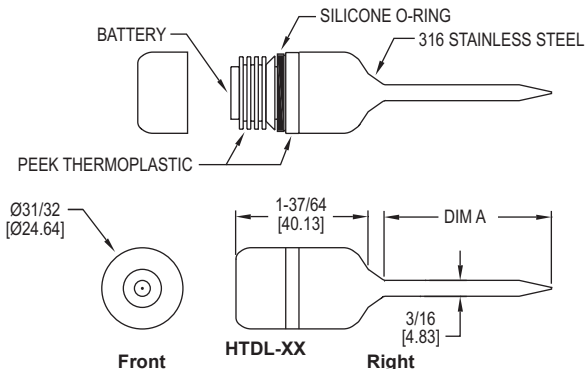


## MODEL HTDL-20/30

# HIGH TEMPERATURE DATA LOGGER

## Submersible, Continuous Recording, User Replaceable Battery



The **Model HTDL-20/30 High Temperature Data Logger** can measure temperatures up to 500°F (260°C) and record up to 32,700 measurements.

### FEATURES/BENEFITS

- Submersible and portable
- Temperature measurement up to 500°F
- Remote probe option for chamber or oven logging
- Delay startup timer

### APPLICATIONS

- Thermal testing
- Process monitoring or troubleshooting

### MODEL CHART

Model	Description
HTDL-20	High temperature data logger with 2" rigid probe
HTDL-30	High temperature data logger with 24" flexible probe

### SPECIFICATIONS

**Range:** -328 to 500°F (-200 to 260°C).

**Memory Size:** 32,700 readings.

**Accuracy:** 0.18°F (0.1°C) @ 68 to 284°F (20 to 140°C); 0.54°F (0.3°C) @ -4 to 67.98°F (-20 to 19.99°C).

**Resolution:** 0.02°F (0.01°C).

**Temperature Limits:** -4 to 284°F (-20 to 140°C).

**Sampling Method:** Stop on memory full or continuous recording.

**Sampling Rate:** Selectable from 1 s to 24 hrs.

**Computer Requirements:** Windows® Xp Sp3, Windows Vista®, Windows® 7 operating systems.

**Power Requirements:** 3.6 V 1/2 AA ER14250SM lithium metal battery, installed functional, user replaceable.

**Battery Life:** 1 year (approx).

**Interface:** Docking station and USB cable.

**Housing Material:** 316 SS.

**Weight:** 4.2 oz (120 g).

### ACCESSORIES

Model	Description
HTDL-DS	Docking station, software, manual and USB interface
ER1425S-HT	Replacement battery

Windows® and Windows Vista® are registered trademarks of Microsoft Corporation.