

www.luxorfurn.com  
www.hwilson.com

### Parts List

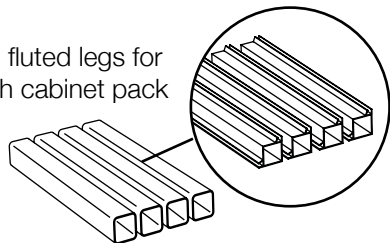
### Tools Required

- Rubber Mallet



205 Westwood Ave, Long Branch, NJ 07740  
Phone: 866-94 BOARDS (26273) / (732)-222-1511  
Fax: (732)-222-7088 | E-mail: sales@touchboards.com

Optional fluted legs for units with cabinet pack

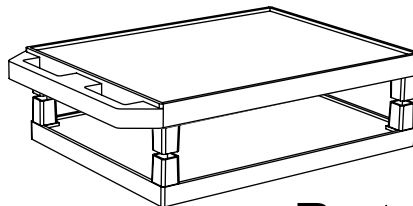


#### NOTICE:

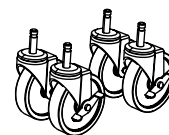
Leg lengths may vary by model

**F** x4

**A** x1

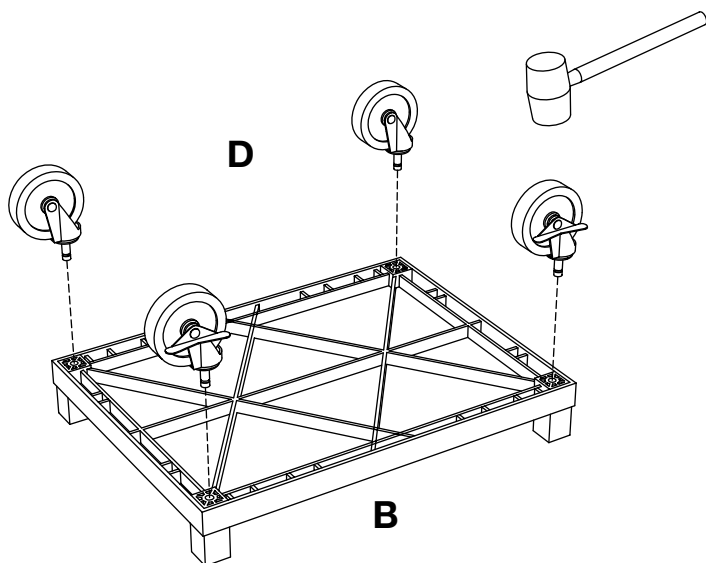


**B** x1



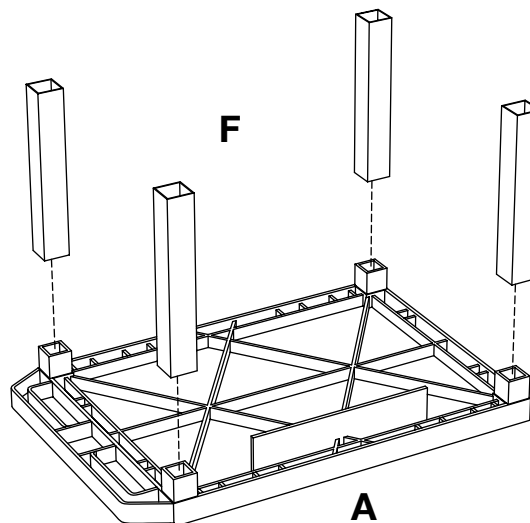
**D** x4

**1**

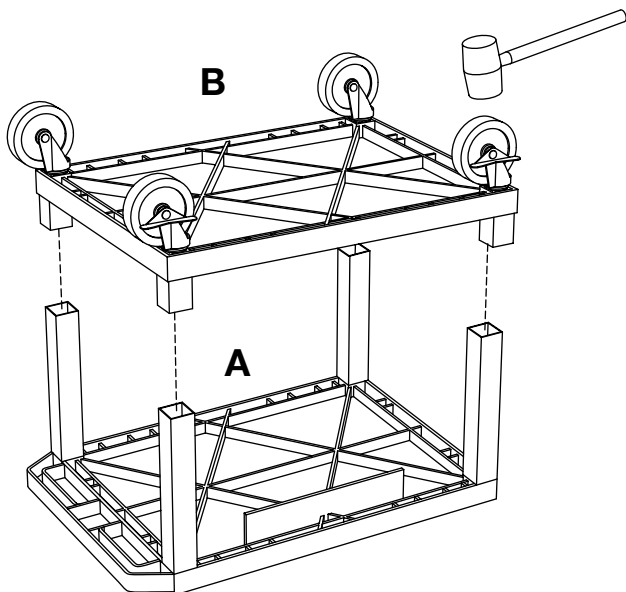


**2**

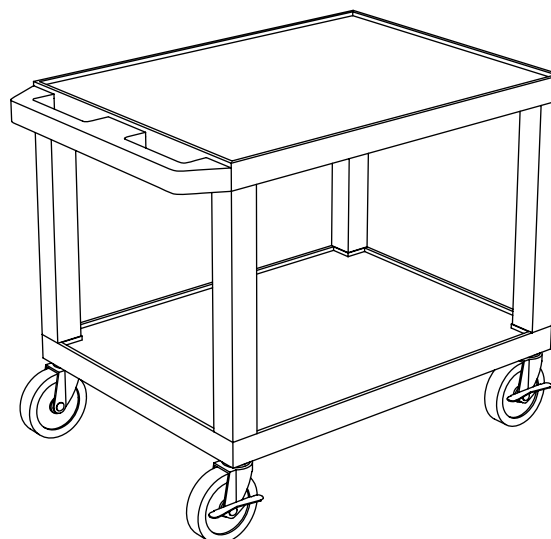
Install optional cabinet pack assembly after step 1



**3**



**4**

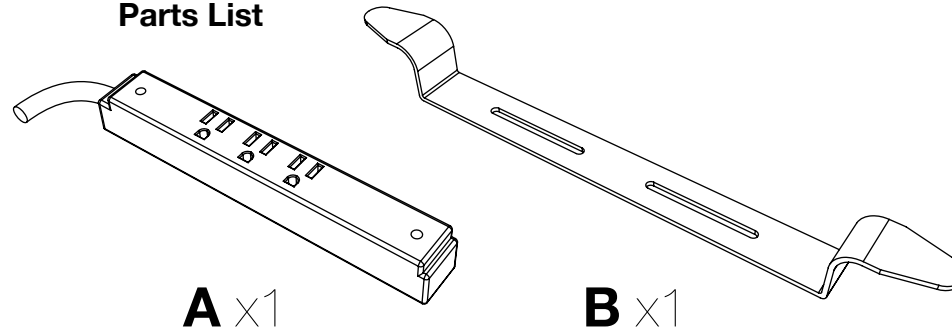


[www.luxorfurn.com](http://www.luxorfurn.com)  
[www.hwilson.com](http://www.hwilson.com)

## Electric Assembly Instructions

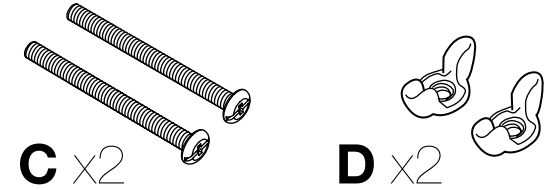
Number of outlets may vary.

### Parts List

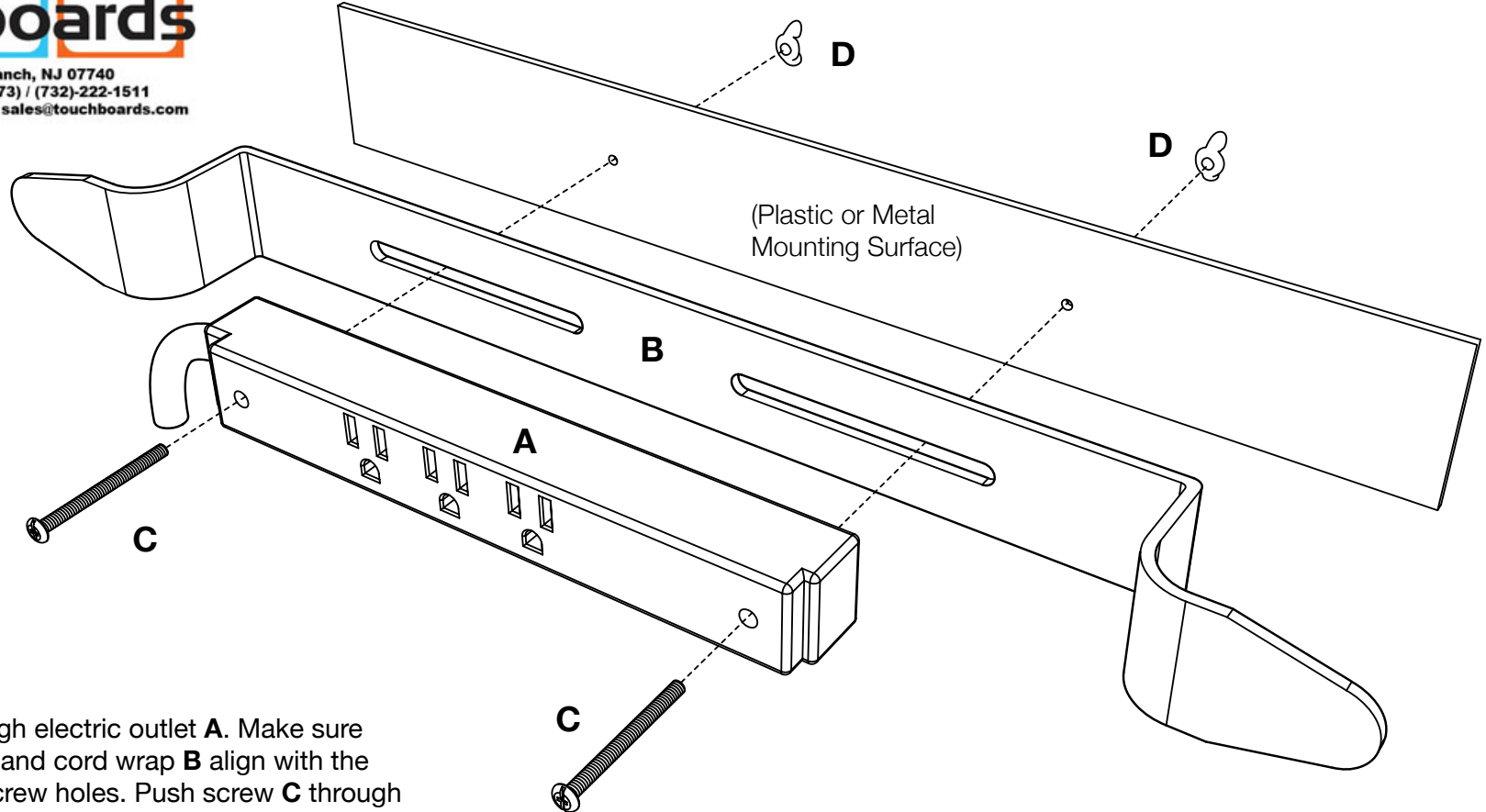


### Tools Required

- Screwdriver



205 Westwood Ave, Long Branch, NJ 07740  
Phone: 866-94 BOARDS (26273) / (732)-222-1511  
Fax: (732)-222-7088 | E-mail: [sales@touchboards.com](mailto:sales@touchboards.com)



**1**

Push screw **C** through electric outlet **A**. Make sure the electric outlet **A** and cord wrap **B** align with the mounting surface screw holes. Push screw **C** through cord wrap **B** and the mounting surface screw holes. Use wing nut **D** and screwdriver to fasten.