

ARM STAND

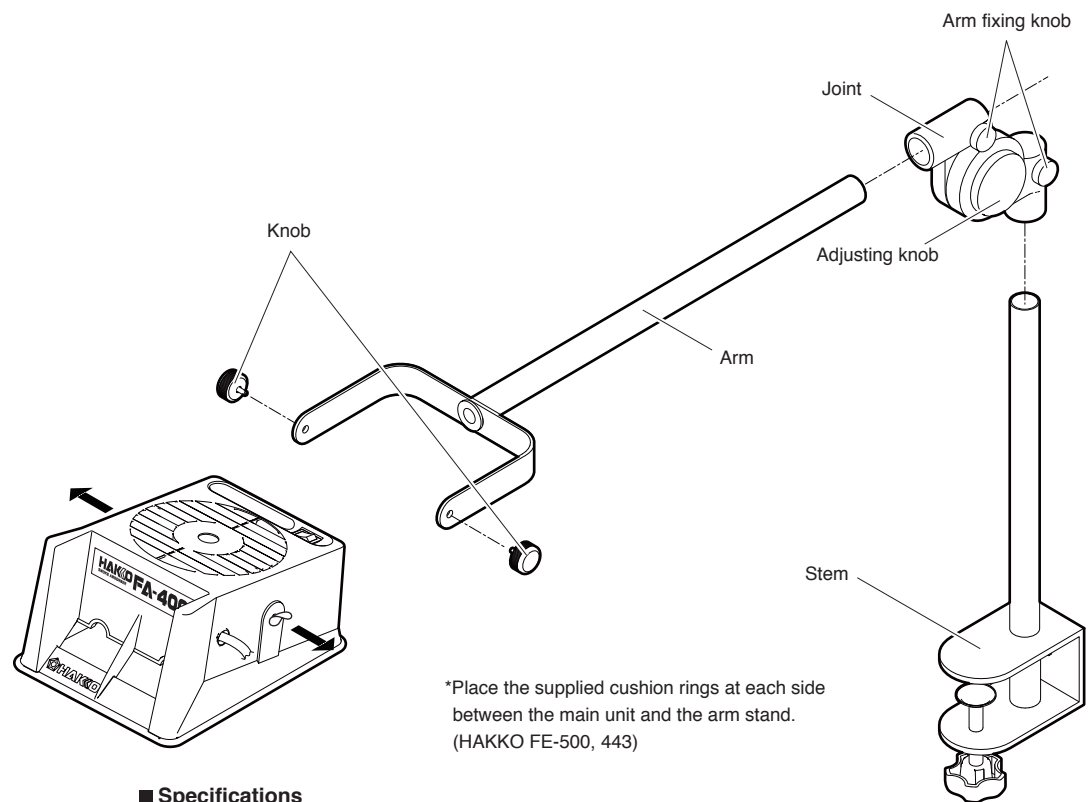
No.C1568

Instruction Manual

1. Mount the stem on the workbench.
Fasten the screw tightly so the stem does not move.
2. Insert the joint (from the adjusting knob side) into the stem and tighten the arm fixing knob.
3. Pass the arm through the joint. Adjust the arm to the distance required for use, then fasten it in place with the arm fixing knob.
4. Remove the seals from both sides of the HAKKO FA-400 and remove the stand.
5. Fasten the HAKKO FA-400 to the arm (see figure at right) and tighten the adjusting knob.
6. Use the arm fixing knobs to adjust the arm length and angle. Do NOT remove the adjusting knob from the joint!
7. Adjust the angle of the HAKKO FA-400 smoke absorber for optimum smoke absorbency.

NOTE:

If the adjusting knob is loose, the HAKKO FA-400 may sag downward. If this happens, tighten the adjusting knob.



Specifications

Part Name	Arm stand
Part No.	C1568
Weight (w/o Knobs)	1.8Kg (3.97lbs.)

Part No.	Part Name	Specifications
B1166	Knob	set of 2, ESD

*Specifications and design are subject to change without notice.



白光株式会社

<http://www.hakko.com>

〒556-0024 大阪市浪速区塩草2丁目4番5号
TEL: (06) 6561-1574 (代) FAX: (06) 6568-0821



HAKKO CORPORATION

HEAD OFFICE

4-5, Shiokusa 2-chome, Naniwa-ku, Osaka 556-0024 JAPAN

TEL: +81-6-6561-3225 FAX: +81-6-6561-8466

<http://www.hakko.com> E-mail: sales@hakko.com

OVERSEAS AFFILIATES

U.S.A.: AMERICAN HAKKO PRODUCTS, INC.

TEL: (661) 294-0090 FAX: (661) 294-0096

Toll Free (800)88-HAKKO

<http://www.hakkousa.com>

HONG KONG: HAKKO DEVELOPMENT CO., LTD.

TEL: 2811-5588 FAX: 2590-0217

<http://www.hakko.com.hk>

E-mail: info@hakko.com.hk

SINGAPORE: HAKKO PRODUCTS PTE., LTD.

TEL: 6748-2277 FAX: 6744-0033

<http://www.hakko.com.sg>

E-mail: sales@hakko.com.sg

Please access to the following address for the other Sales affiliates.

<http://www.hakko.com>