

## SOLDERING STATION

### FX-805

#### Instruction Manual

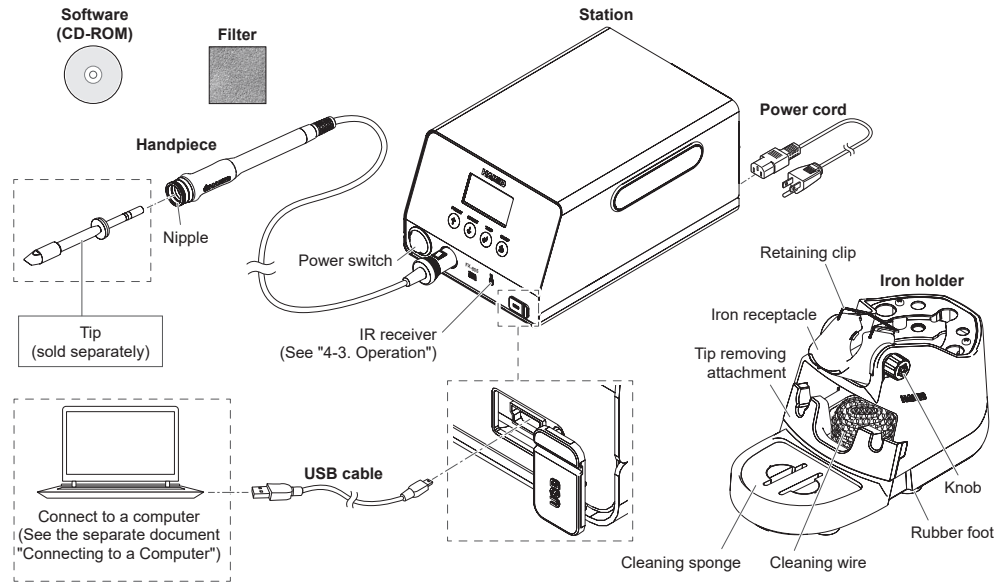
Thank you for purchasing a HAKKO product.  
This product is a soldering iron station.

Make sure to read this manual before using the product, and keep it in a safe place for future reference.

### 1. Set contents and assembly

Confirm the contents before use.  
\*This product may differ from the following:

Station FX-805.....	1	Software (CD-ROM).....	1
Handpiece FX-8004.....	1	Power cord.....	1
Iron holder FH-220 (With cleaning sponge/wire).....	1	Instruction manual (this document).....	1
Filter.....	1	Instruction manual (Quick Parameter Settings / Connecting to a Computer)....	1
USB cable.....	1		



See the web page for the product information such as replacement parts/options.  
[https://www.hakko.com/doc\\_fx805](https://www.hakko.com/doc_fx805)

### 3. Warnings, Cautions, and Notes

Warnings, cautions, and notes are placed at critical points in this manual to direct your attention to significant items. They are defined as follows:

**WARNING:** Failure to comply with a WARNING may result in serious injury or death.

**CAUTION:** Failure to comply with a CAUTION may result in injury to the operator, or damage to the items involved.

**NOTE:** This indicates procedures or information that are important in a process described in this document.

Be sure to observe the following precautions to ensure safety.

#### WARNING

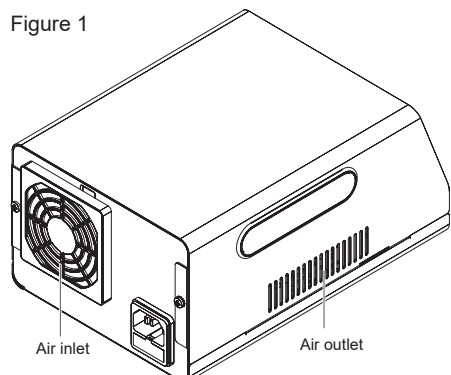
- This appliance can be used by children aged from 8 years and above and persons with reduced physical, sensory or mental capabilities or lack of experience and knowledge if they have been given supervision or instruction concerning use of the appliance in a safe way and understand the hazards involved.
- Children shall not play with the appliance.
- Cleaning and user maintenance shall not be made by children without supervision.
- When this product is not used, place the handpiece on the iron holder.
- The tip reaches high temperatures when the power source is turned on. You may risk getting burned or causing a fire if mishandled.
- Do not touch the metal parts near the tip.
- Do not place anything that easily burns or ignites near the product.
- Make sure that people nearby are aware of the "high temperature danger."
- When the product is not in use, being repair, or being cleaned, turn off the power switch and disconnect the plug from the power outlet.

Failure to observe the following precautions to ensure safety might result in electric shock, malfunction or other trouble.

#### CAUTION

- Before using this product, fully read all descriptions in this document.
- Only use the product for soldering.
- Do not hit the handpiece against a workbench or subject it to strong shocks to remove solder residue.
- Soldering produces smoke, so make sure to work in a well-ventilated area.
- Do not block the station air inlet or outlet. (Figure 1)
- Use genuine HAKKO parts for included parts/replacement parts/options.
- Do not modify this product.
- Do not use damaged cords or plugs. Doing so can result in malfunction or injury.
- Do not use the product if it has been dropped or shows signs of damage.
- When inserting and removing the cord, hold the plug body and do not pull the cord.
- Do not allow this product to get wet. Also, do not handle it with wet hands.
- Do not perform any other actions that may be considered to be dangerous.

Figure 1



### 2. Specifications

Power consumption	460 W
Temperature range	50 to 500°C (120 to 940°F)
Temperature stability	At idle temperature: ± 5°C (9°F)

Station	
Output	AC 30 V
Dimensions	143 (W) × 107 (H) × 218 (D) mm (5.6 × 4.2 × 8.6 in)
Weight	3.9 kg (8.6 lb)

Handpiece	
Power consumption	390 W (30 V)
Tip to ground resistance	< 2 Ω
Leak voltage	< 2 mV
Heating element	Composite heater
Cord length	1.2 m (3.9 ft)
Total length	244 mm (9.6 in) (with T37-D24 tip)
Weight	54 g (1.9 oz) (with T37-D24 tip)

- The total length and weight excludes the cord.
- This product is applied with electrostatic countermeasures.
- Please note that specifications and appearance are subject to change without notice in the interest of product improvement.

#### CAUTION

##### Handling precautions for ESD Safe products

This product contains electrostatic countermeasures, so please use the following precautions:

1. Not all plastic parts are insulators, they may be conductive. Be careful not to expose live electrical parts or damage insulating materials when performing repairs or replacing parts.
2. Be sure the product is grounded before use.



#### HAKKO CORPORATION

##### HEAD OFFICE

4-5, Shiookusa 2-chome, Naniwa-ku, Osaka 556-0024 JAPAN  
TEL: +81-6-6561-3225 FAX: +81-6-6561-8466  
<https://www.hakko.com> E-mail: [sales@hakko.com](mailto:sales@hakko.com)

##### OVERSEAS AFFILIATES

###### U.S.A.: AMERICAN HAKKO PRODUCTS, INC.

TEL: (661) 294-0090 FAX: (661) 294-0096  
Toll Free (800) 88-HAKKO  
<https://www.HakkoUSA.com> E-mail: [Support@HakkoUSA.com](mailto:Support@HakkoUSA.com)

###### HONG KONG: HAKKO DEVELOPMENT CO., LTD.

TEL: 2811-5588 FAX: 2590-0217  
<https://www.hakko.com.cn> E-mail: [info@hakko.com.hk](mailto:info@hakko.com.hk)

###### SINGAPORE: HAKKO PRODUCTS PTE., LTD.

TEL: 6748-2277 FAX: 6744-0033  
<https://www.hakko.com.sg> E-mail: [sales@hakko.com.sg](mailto:sales@hakko.com.sg)

Please access the code for overseas distributors.

[https://www.hakko.com/doc\\_network](https://www.hakko.com/doc_network)



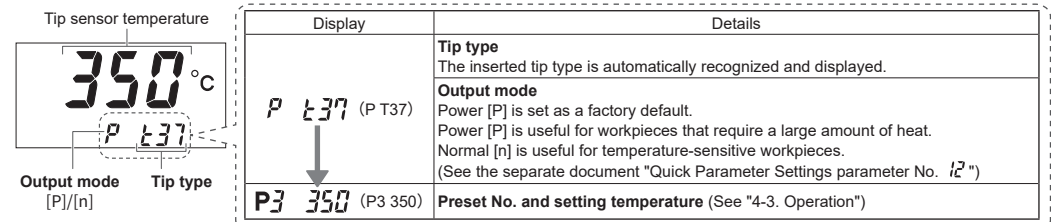
© 2022 HAKKO Corporation. All Rights Reserved.

2022.06  
80.0959-005

### 4. Operation

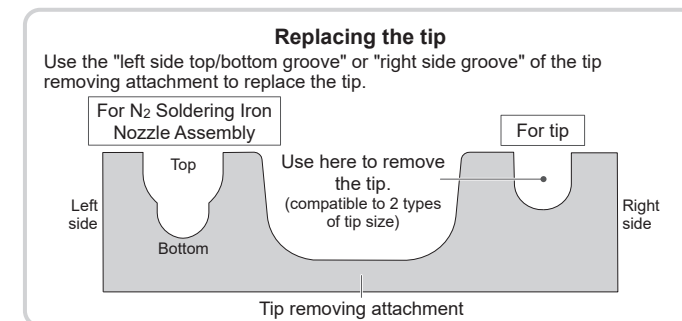
#### 4-1. Station

With the tip installed into the handpiece and plugged into the station turn on the power switch. Below shows the display indication types.



#### 4-2. Iron holder

- The iron receptacle angle can be changed 45 ± 10 degrees with the knob.
- Make sure to wet the cleaning sponge before using it.
- The iron holder base can be removed by pressing the release button.
- The tip can be stored in the tip insertion holder.
- You can quickly and safely replace the tip using the iron holder.



(1) Insert the tip until the handpiece contacts the "right side groove." (Figure 1)

(2) Pull the handpiece straight out. (Figure 2)

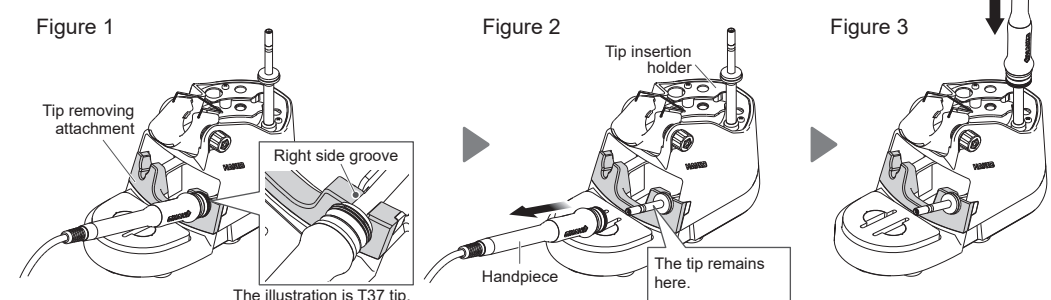
**NOTE** Cool the tip in the tip removing attachment, and then rotate it to pull it out.

Note that using too much downward force can damage the tip or handpiece.

**NOTE** For safety purposes and to prevent damage to the product, make sure to press the iron holder with your hand.

(3) Insert the tip that has been placed in the tip insertion holder into the handpiece. (Figure 3)

**NOTE** By using the tip insertion holder, tip can be inserted firmly to the end.



#### CAUTION

After replacement, the tip remains at a high temperature for a long period of time. Take care not to get burned.

