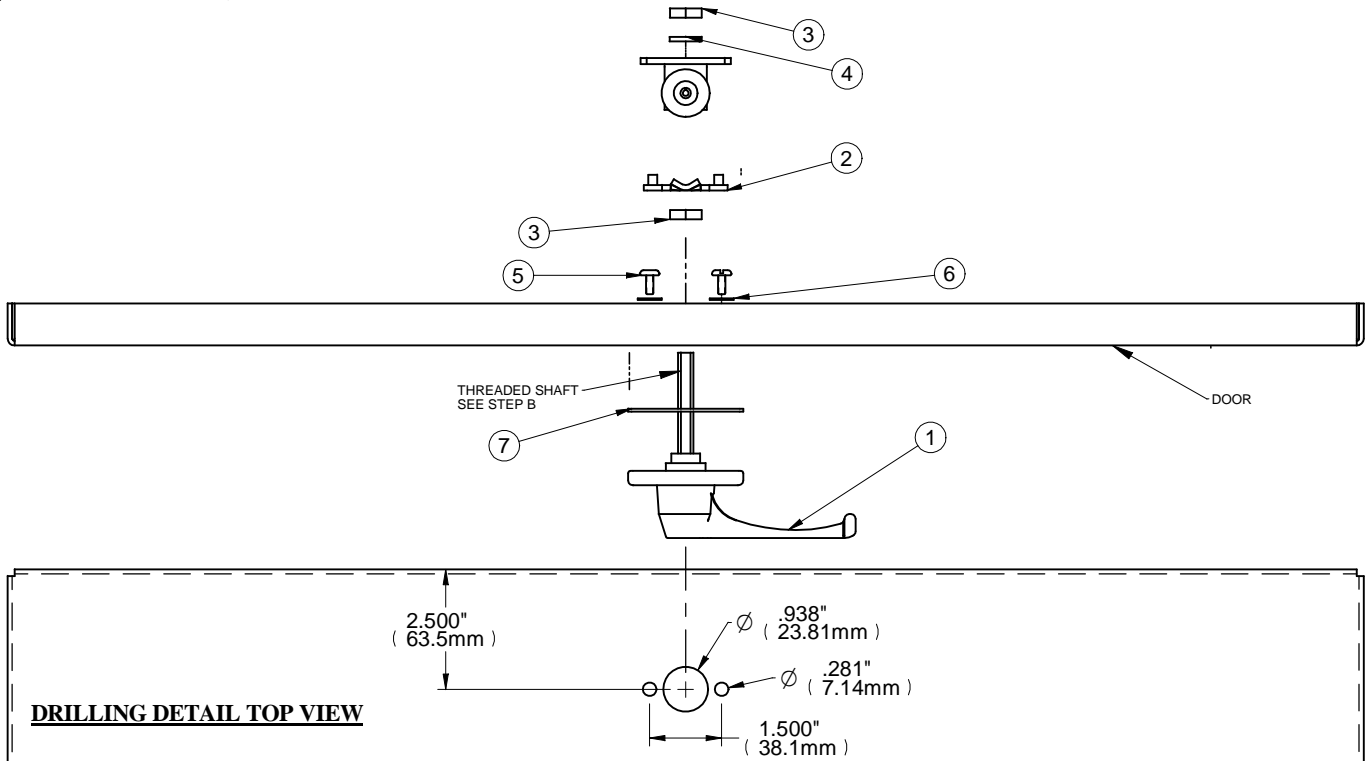


ASSEMBLY INSTRUCTIONS

- (A) MEASURE, MARK AND DRILL DOOR (SEE DRILLING DETAIL), DRILL TWO .281(7.1mm) HOLES AND ONE .938(23.9mm). SEE DRILLING DETAIL OF THE TOP VIEW OF THE DOOR BELOW.
- (B) MOUNT HANDLE USING 10-32 SCREWS AND #10 FLAT WASHERS. IF DOOR THICKNESS IS 12 GA. OR HEAVIER, DISCARD #10 FLAT WASHER. WIND 3/8-16 NUT TO BOTTOM OF THREADED SHAFT.
- (C) SLIP CAM OVER SHAFT, PINS FACING UP AND LATCH FACING OUT 90 DEGREES TO HANDLE. TIGHTEN DOWN WITH A 3/8-16 NUT AND LOCK WASHER.



| PART # | QTY. | DESCRIPTION |
|--------|------|-----------------------------------|
| 1 | 1 | L HANDLE (LOCKING OR NON LOCKING) |
| 2 | 1 | CAM |
| 3 | 2 | 3/8-16 HEX NUT |
| 4 | 1 | 3/8 LOCK WASHER |
| 5 | 2 | 10-32 X 3/8 SCREW |
| 6 | 2 | WASHER FLAT #10 ZP SAE |
| 7 | 1 | GASKET |

