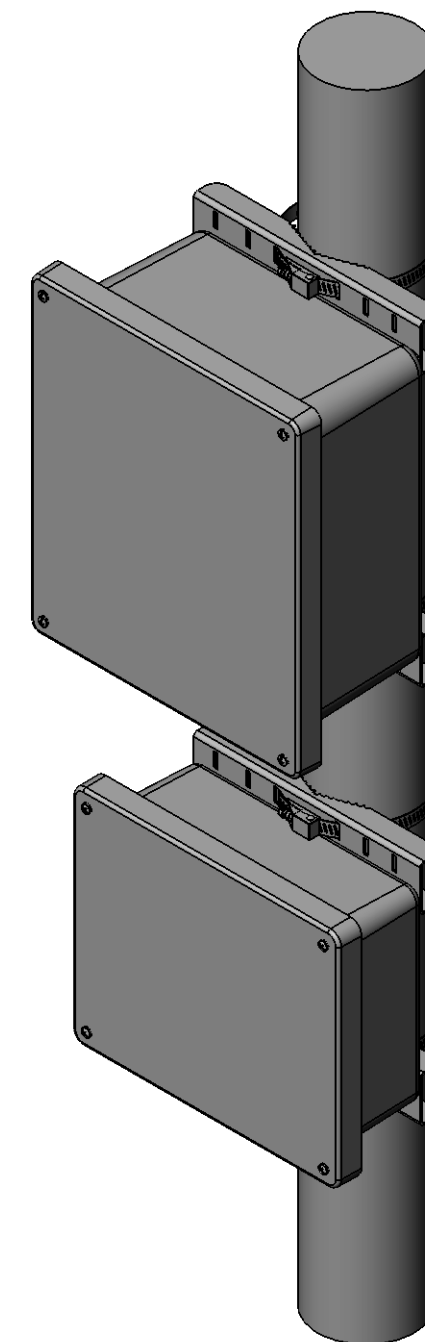


STANDARD MOUNT

ROTATED 90°

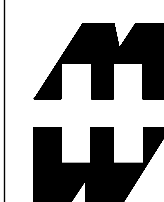


STANDARD MOUNT HOLE PATTERN

ENCLOSURE	VERTICAL DIM	HORIZONTAL DIM	MOUNT TYPE
PJ1206(X)	10.89 (276.6)	9.01 (228.9)	DIRECT TO BOX
PCJ1206(X)	12.75 (323.9)	8.00 (203.2)	BOLT THROUGH FLANGE
PJU1206(X)	12.75 (323.9)	8.00 (203.2)	BOLT THROUGH FLANGE

ROTATED 90° MOUNT HOLE PATTERN

ENCLOSURE	VERTICAL DIM	HORIZONTAL DIM	MOUNT TYPE
PJ1084(X)	7.01 (177.8)	8.89 (225.8)	DIRECT TO BOX
PJ1086(X)	7.01 (177.8)	8.89 (225.8)	DIRECT TO BOX



PART No. PJPOLEMNT10

for more information visit
www.hammfg.com
 Data subject to change without notice
 Drawing Not to Scale