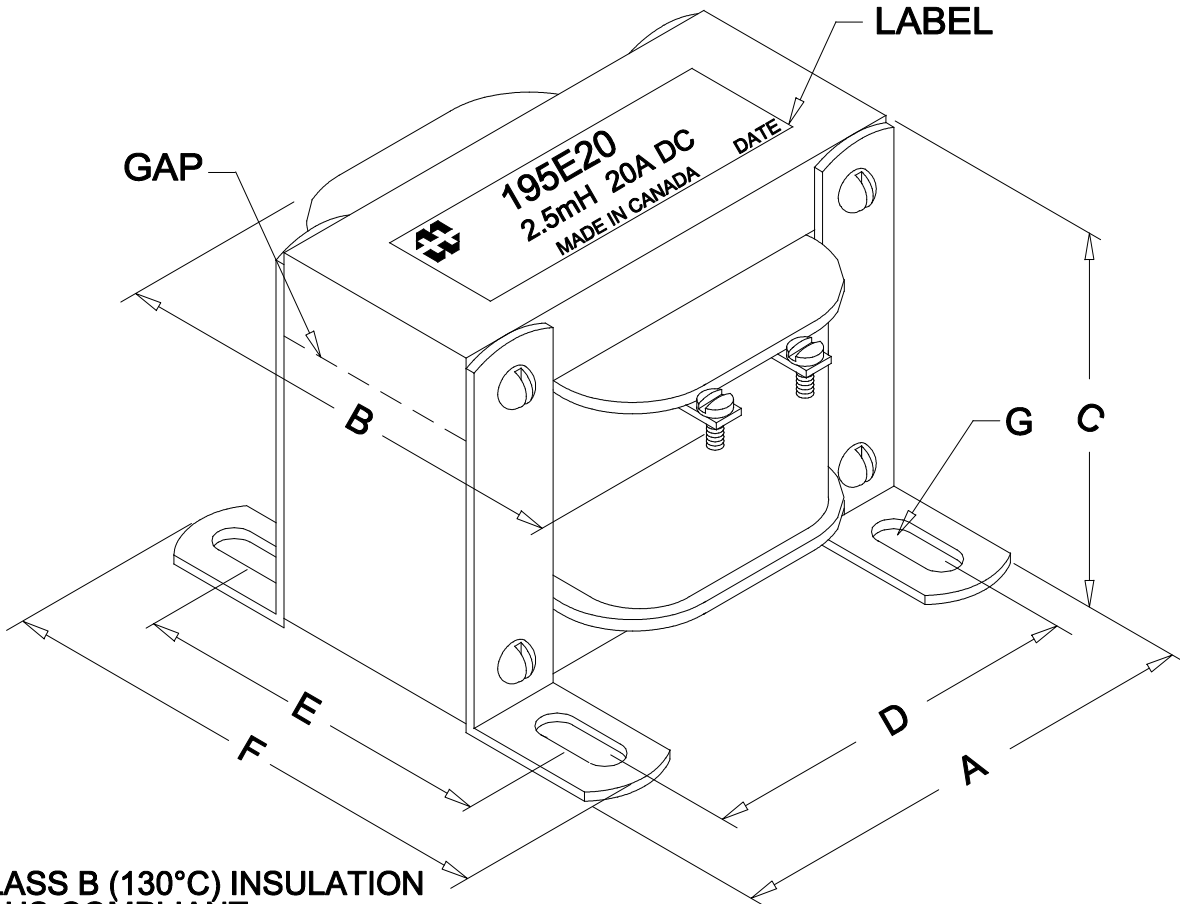
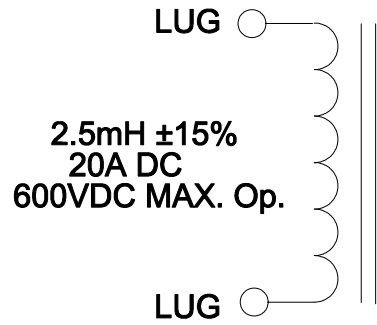


DIMENSIONS:	
A	3.750" ±0.063
B	4.200" MAX.
C	3.125" ±0.063
D	3.125" ±0.063
E	2.750" ±0.063
F	3.312" ±0.063
G	0.203" X 0.375" 0.015



CLASS B (130°C) INSULATION
RoHS COMPLIANT

ELECTRICAL DATA:		
TESTS	CONDITIONS	ACCEPTANCE CRITERIA
INDUCTANCE	@ 5V, 60Hz, 20A DC, LUG - LUG	2.5mH ±15%
DCR	@ 20°C, LUG - LUG =	0.022 Ω ±15%
HIPOT	PRIMARY - CORE	2500V, 60Hz, 1 SEC

HAMMOND
MANUFACTURING™

ELECTRONIC DIVISION
52 RANKIN PLACE,
WATERLOO, ONTARIO, N2J 3Z5
PH # (519) 886-6181
FAX # (519) 886-9540

TITLE

CHOKE

NO	DATE	REVISION	DWG. BY
0	07/11/17	RELEASED.	C.I. CORINA ILIE
			DATE 07/11/17
			DIM IN(∅)MM()

195E20