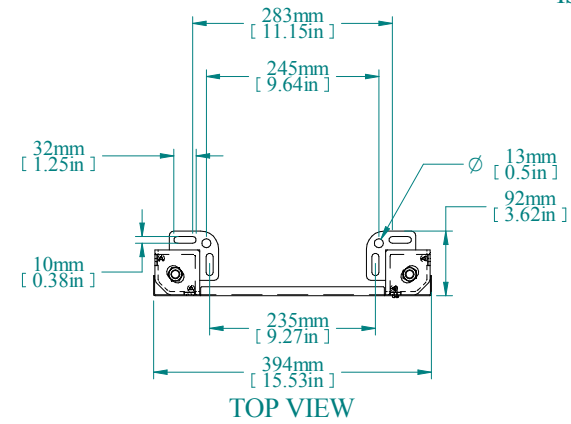


ISOMETRIC VIEW



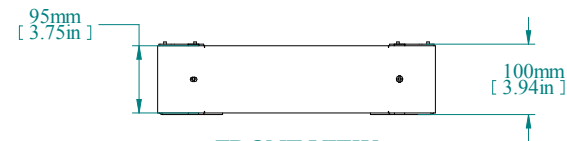
TOP VIEW



REAR VIEW



L.S. VIEW



FRONT VIEW

| PART NUMBERS |                        |
|--------------|------------------------|
| HPLW14       | PAINTED TEXTURED BLACK |

| NOTES  |
|--|
| HPLW contains 4 corner supports along with corresponding front and rear panels.<br>See Hammond Website for Additional Accessories. |

Data subject to change without notice. Isometric drawing not to scale.



**HAMMOND  
MANUFACTURING™**  
www.hammondmfg.com  
PART NO. HPLW14