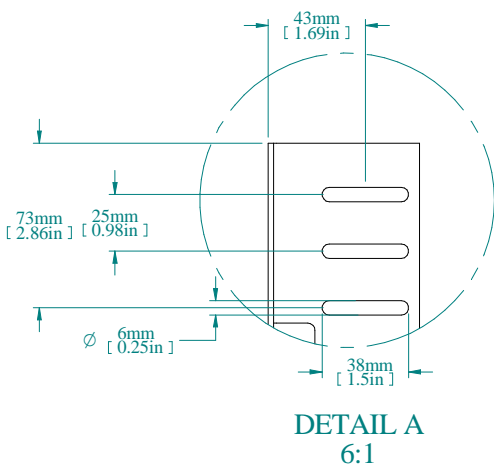


L.S. VIEW

FRONT VIEW

R.S. VIEW



PART NUMBERS	
HPR20SZPL	12 GAUGE ZINC PLATED (ZPL FINISH)

NOTES
Can mount directly to frame in full front and full back positions or can have full front back depth adjustment when used with depth grid straps.(Sold separately)
Provides 19" mounting centers and sold in pairs
Hammond Website for Additional Accessories

Data subject to change without notice. Isometric drawing not to scale.

**HAMMOND  
MANUFACTURING™**

www.hammondmfg.com

**PART NO. HPR20SZPL**