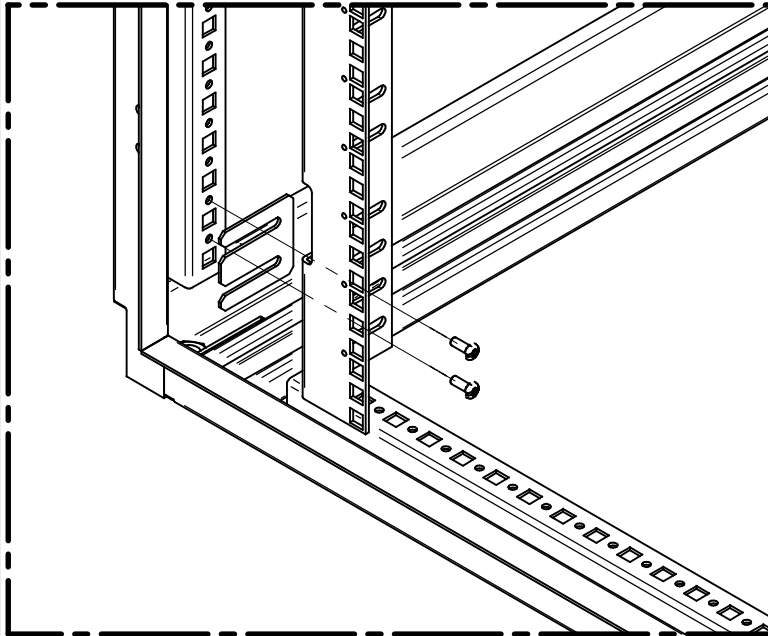


# HCR/HPR SERIES

ASSEMBLY INSTRUCTIONS FOR  
HCR / HPR (19" MOUNTING RAILS)

FIGURE 1



HME - 600mm Wide Frame  
FIXED RAIL EXAMPLE - FRONT VIEW

### FIXED RAIL LOCATIONS (FRONT / REAR OF CABINET)

600mm WIDE FRAMES:

- MOUNT RAILS DIRECTLY TO FRAME AS SHOWN IN FIGURE 1.  
RAIL SHIMS REQUIRED WHEN GRID STRAPS NOT USED.

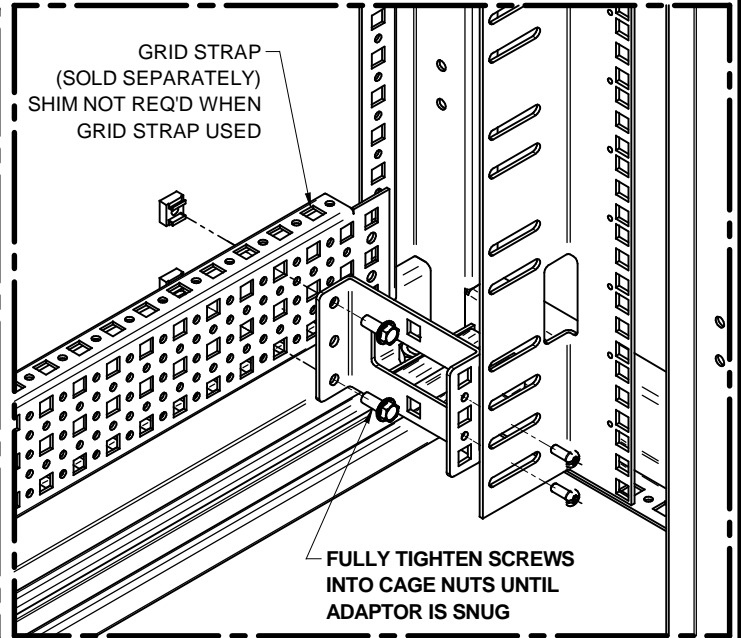
800mm WIDE FRAMES:

- USE RAIL ADAPTOR KITS, (SOLD SEPARATELY), AS SHOWN IN FIGURE 2.

# HAK19800 SERIES

ASSEMBLY INSTRUCTIONS FOR  
HAK19800 (RAIL ADAPTOR KIT )

FIGURE 2



HME - 800mm Wide Frame

ADJUSTABLE RAIL EXAMPLE - REAR VIEW  
SHOWN WITH RAIL ADAPTOR KIT & 75mm GRID STRAP  
(BOTH SOLD SEPARATELY)

### ADJUSTABLE RAIL LOCATIONS (MUST USE WITH 75mm GRID STRAPS, SOLD SPARATELY)

600mm WIDE FRAMES:

- MOUNT RAILS DIRECTLY TO 75mm GRID STRAPS, (SOLD SEPARATELY), AT DESIRED LOCATION.

800mm WIDE FRAMES:

- MOUNT RAIL ADAPTORS, (SOLD SEPARATELY), TO 75mm GRID STRAPS, (SOLD SEPARATELY), AT DESIRED LOCATION AS SHOWN IN FIGURE 2.

#### HCR / HPR PARTS LIST

ITEM No.	DESCRIPTION	QTY
1	19" MOUNTING RAIL (HPR SHOWN)	2
2	RAIL SHIMS	4
3	#12 X 1/2 PAN HD PHILLIPS SELF-TAP	8

#### HAK19800 PARTS LIST

ITEM No.	DESCRIPTION	QTY
1	19" MOUNTING RAIL SPACERS	4
2	1/4-20 X 1/2 HEX HD PHILLIPS COMBO	8
3	1/4-20 CAGE NUT	8

#### TOOL BOX



7/16" Socket  
Wrench



#2 Phillips  
Screw Driver



**HAMMOND  
MANUFACTURING™**