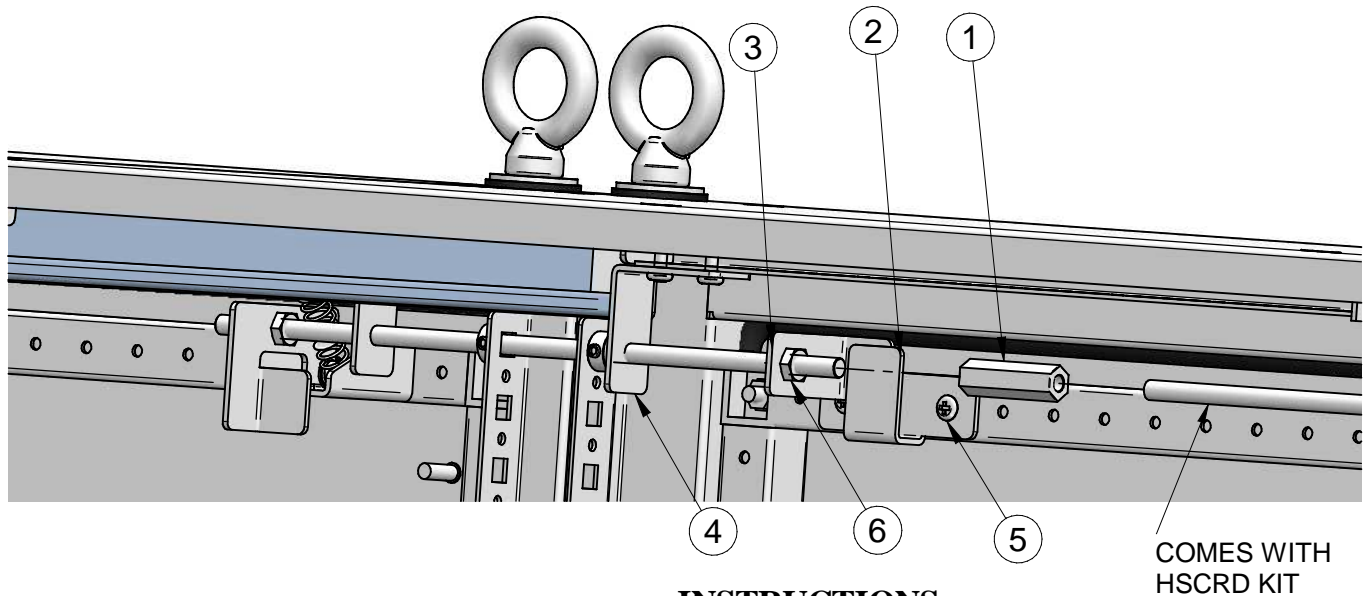


HSIK - SERIES

BUL86311

REV. A

ASSEMBLY INSTRUCTIONS FOR HME SLAVE INTERLOCK KIT



INSTRUCTIONS:

A) Install HME interlock rod support in the top of the HME frame (Item 4) using two thread rolling screws (Item 5)

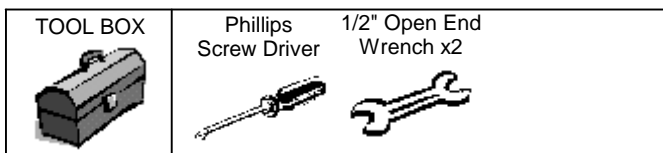
B) Install the HME interlock door catch (Item 2) in desired position on the HME door frame using two thread rolling screws (Item 5).

C) Select the threaded rod length needed from the HSCRD kit (not included) to reach the desired door to be interlocked. Threaded rod can be cut down if required.

D) Slide the threaded rod through the rod support (Item 4) and through the top square hole of the HME frame. Connect the threaded rod to the HMIK that is already installed using the coupling nut (Item 1). Make sure the threaded rod is locked and does not twist on its own.

E) Thread a jam nut (Item 6) onto threaded rod and install the HME interlock catch (Item 3) into desired position, lock in with a second jam nut (Item 6).

| ITEM | DESCRIPTION | QTY |
|------|--|-----|
| 1 | 5/16-18 Coupling Nut ZP | 1 |
| 2 | Interlock Door Catch | 1 |
| 3 | Interlock Catch | 1 |
| 4 | HME Frame | 1 |
| 5 | Screw - #12 X 1/2" Pan Head Phillips Self tapping | 4 |
| 6 | Nut 5/16-18 Hex Jam Zp | 2 |



**HAMMOND
MANUFACTURING™**
www.hammondmfg.com