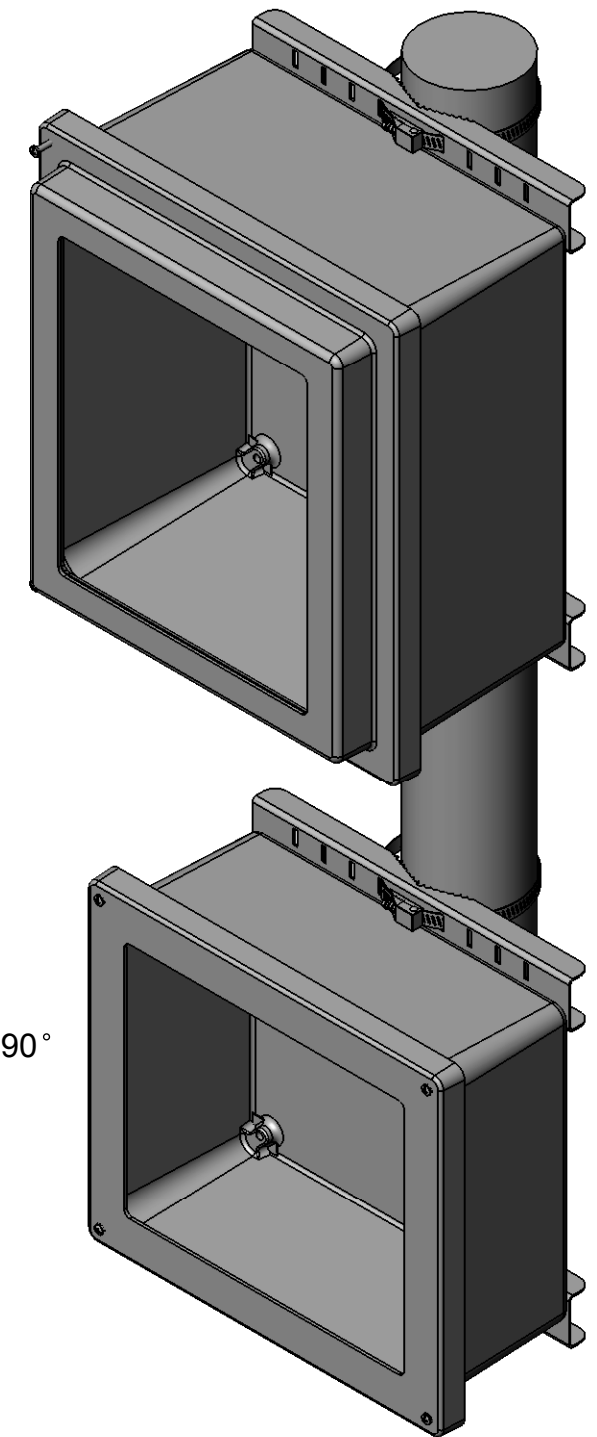


STANDARD MOUNT



ROTATED 90°

STANDARD MOUNT HOLE PATTERN

ENCLOSURE	VERTICAL DIM	HORIZONTAL DIM	MOUNT TYPE
PJ1648(X)	14.89 (378.2)	13.01 (330.5)	DIRECT TO BOX
PJU1648(X)F	16.75 (425.5)	12.00 (304.80)	BOLT THROUGH FLANGE

ROTATED 90° MOUNT HOLE PATTERN

ENCLOSURE	VERTICAL DIM	HORIZONTAL DIM	MOUNT TYPE
PJ1426(X)	11.01 (279.7)	12.89 (327.4)	DIRECT TO BOX



PART No. PJPOLEMNT14

for more information visit
www.hammfg.com
 Data subject to change without notice
 Drawing Not to Scale