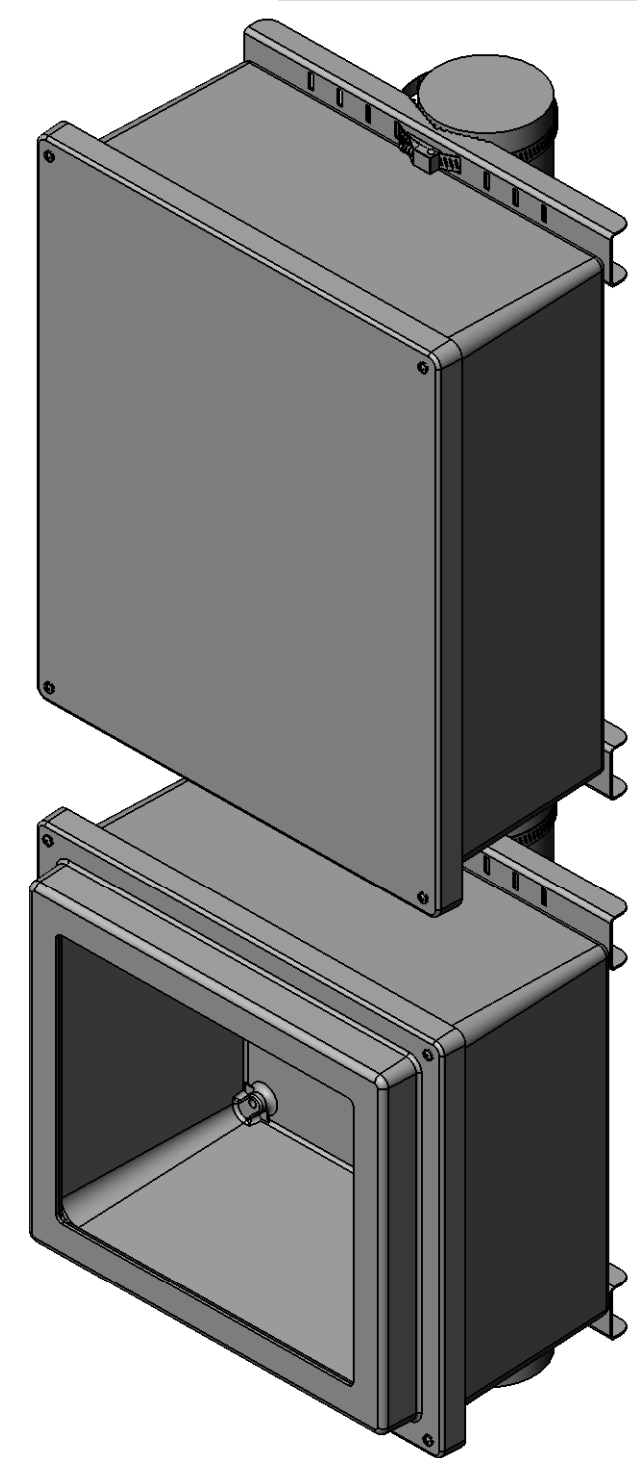


STANDARD MOUNT

ROTATED 90°

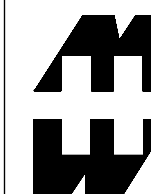


STANDARD MOUNT HOLE PATTERN

ENCLOSURE	VERTICAL DIM	HORIZONTAL DIM	MOUNT TYPE
PJ1868(X)	16.98 (431.3)	14.97 (380.2)	DIRECT TO BOX
PJ2068(X)	18.54 (470.9)	14.54 (369.3)	DIRECT TO BOX
PJU1860(X)F	18.76 (476.5) - 18.88 (479.6)	12.00 (304.80)	BOLT THROUGH FLANGE
PJU2060(X)F	21.25 (539.8)	100 (254)	BOLT THROUGH FLANGE

ROTATED 90° MOUNT HOLE PATTERN

ENCLOSURE	VERTICAL DIM	HORIZONTAL DIM	MOUNT TYPE
PJ1648(X)	13.01 (330.5)	14.89 (378.2)	DIRECT TO BOX



PART No. PJPOLEMNT16

for more information visit  
[www.hammfg.com](http://www.hammfg.com)  
 Data subject to change without notice  
 Drawing Not to Scale