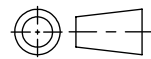
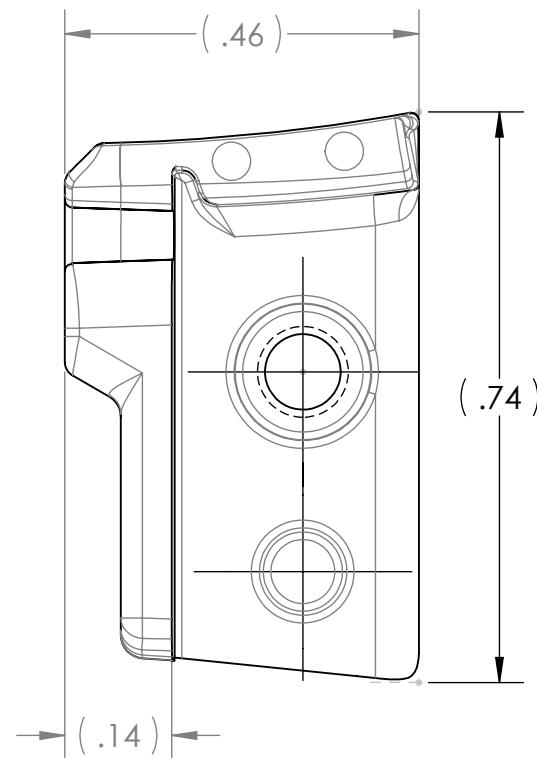
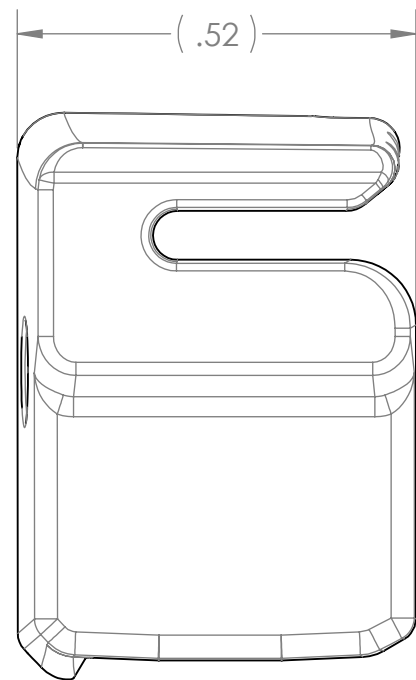
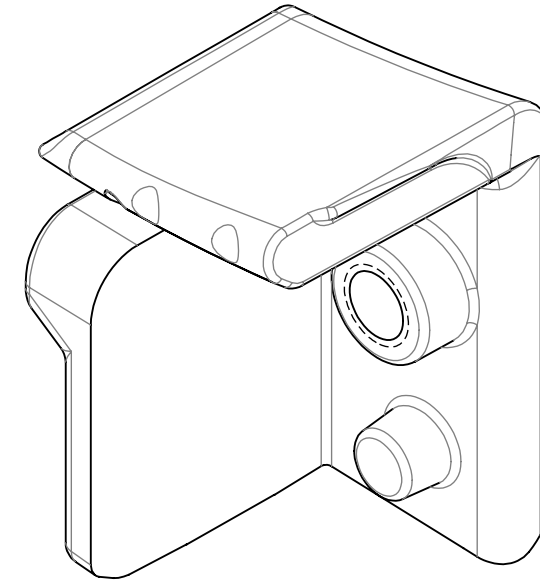
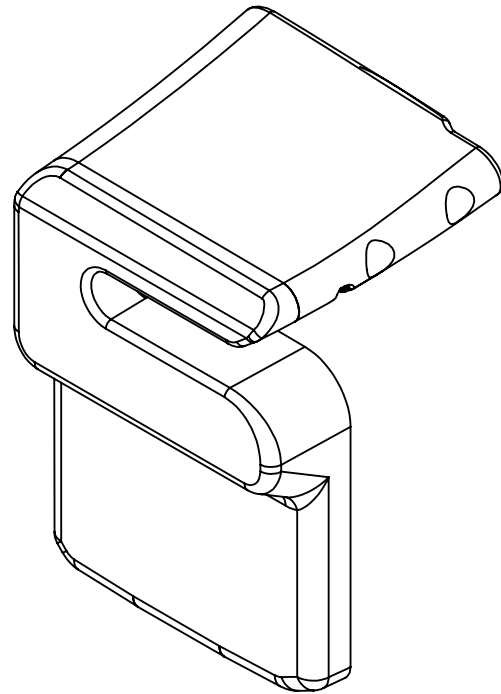


SW2010



Revision level		Revision Record	Changed	Date	Approved	Date
Drawing	Part					
00	-	SEE ECN# 300043	TJM	07/30/2012	TJM	07/30/2012



NOTE: TIE TAIL LENGTH INCREASED BY APPROXIMATLY 3MM OVER STANDARD NOSEPIECE

Notes	Material	Units	Drawn	TJM	07/30/2012	Article/Type-No	110-70133	Scale	4:1
	METAL	inches	Approved	TJM	07/30/2012	Title	NOSEPIECE ALTERNATE 3MM TIE TAIL	Project Number	PRP07-022
	Dimension without tolerances details to:	<p>The copyright of this drawing is reserved by Hellermann Tyton. It is issued on condition that it is not reproduced, copied, or disclosed to a third party, either wholly or in part, without the consent of Hellermann Tyton.</p>	<p>HellermannTyton North America Email: corp@htamericas.com Web: www.hellermann.tyton.com</p>		Drawing-No	07-022-453-CSU	Production : Phase	Format	B
	.xxxx = ±.0005				Sheet	1/1			
.xxx = ±.005									
.xx = ±.01									
.x = ±.03									
None = ±.06									
< = ±0.5°									