

Specification Sheet

Part Number: 151-01518

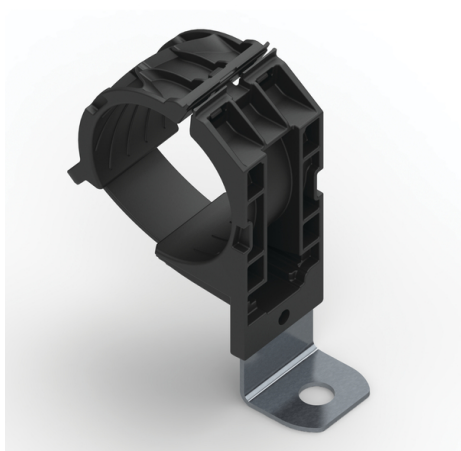
One-piece ratchet closure allows for easy installation during pre- or final assembly.

Easy release feature simplifies quick adjustments and maintenance.

Impact modified, heat and UV stabilized PA66 provides long-term durability, indoors and out.

Zinc-plated steel mounting plate tolerates high torque and is treated to resist chemicals and salt spray.

Angled mounting plates are ideal for stacking RPCs or for avoiding obstructions or heat sources.



Ratchet P-Clamp, 1.38 - 2.01" Bundle Dia, 90° Short, 0.33" Hole Dia, PA66HIRHSUV/ST/ZN, Black, 160/ctn

| | |
|----------------|------------|
| Article Number | 151-01518 |
| Type | RCD90SM8 |
| Color | Black (BK) |
| Quantity Per | pack |

| | |
|-------------------------------------|--|
| Product Description | The Ratchet P-Clamp family offers versatility when managing wires, cables and hoses. The robust design and durable materials make it ideal for heavy duty applications, both indoors and out. The one-piece adjustable clamp can be closed by hand to the desired diameter. The release feature provides easy and nondestructive removal of cables simply by using a flat-head screwdriver. This nondestructive release allows the clamp to be reused without removing or replacing any bolts or screws. |
| Short Description | Ratchet P-Clamp, 1.38 - 2.01" Bundle Dia, 90° Short, 0.33" Hole Dia, PA66HIRHSUV/ST/ZN, Black, 160/ctn |
| Global Part Name | RCD90SM8-PA66HIRHSUV/ST/ZN-BK |
| Minimum Tensile Strength (Imperial) | 100 |
| Minimum Tensile Strength (Metric) | 445 |
| Length L (Imperial) | 6.58 |
| Length L (Metric) | 167.2 |
| Fixation Method | Screw Mounting |
| Variant | Short |
| Width W (Imperial) | 1.37 |
| Width W (Metric) | 34.9 |
| Bundle Diameter Min (Imperial) | 1.42 |
| Bundle Diameter Min (Metric) | 36.0 |

| | |
|---------------------------------------|--|
| Bundle Diameter Max (Imperial) | 2.01 |
| Bundle Diameter Max (Metric) | 51.0 |
| Cable Tie Width Max (Imperial) | 0.52 |
| Cable Tie Width Max (Metric) | 13.2 |
| Mounting Hole Diameter D (Imperial) | 0.327 " |
| Mounting Hole Diameter D (Metric) | 8.31 mm |
| Mounting Hole Diameter D Max (Metric) | 8.31 |
| Stud Diameter (Metric) | M8 |
| Mounting Hole Centers (Imperial) | 1.67 |
| Material | Polyamide 6.6 high impact modified, heat and UV stabilized (PA66HIRHSUV) Steel (ST) Zinc plated (ZN) |
| Material Shortcut | ZN ST PA66HIRHSUV |
| Flammability | UL 94 HB |
| Halogen Free | Yes |
| UV Resistant (Yes/No) | Yes |
| Use Conditions | For Indoor and Outdoor Use |

| | |
|--|-----------------------------------|
| Plenum Rating | AH-2 |
| Operating Temperature | -40°F to +221°F (-40°C to +105°C) |
| Operating Temperature intermittent, 1000 hours | +320°F (+160°C) |
| Operating Temperature intermittent, 5000 hours | +257°F (+125°C) |
| Operating Temperature intermittent, 500 hours | +329°F (+165°C) |
| BABA Compliant | YES |
| Reach Compliant (Article 33) | Yes |
| ROHS Compliant | Yes |
| UL Listed (US and Canada) | Yes |
| UL Listed (US) | Yes |
| Package Quantity (Imperial) | 160 |
| Package Quantity (Metric) | 160 |
| Customs Number | 3926909988 |

7930 N. Faulkner Road, Milwaukee, WI 53224
 Phone: (800) 537-1512 | Email: corp@htamericas.com

© 2026 HellermannTyton. All Rights Reserved.

[Contact Us](#) [RoHS/WEEE Compliance](#) [Privacy Policy](#) [Cookie Policy](#) [Terms and Conditions](#)