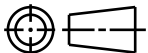
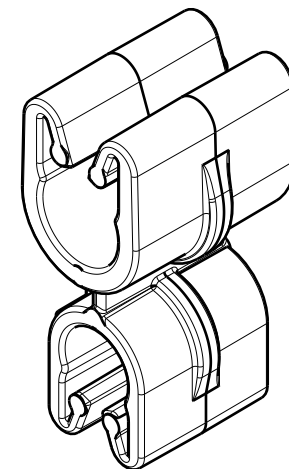
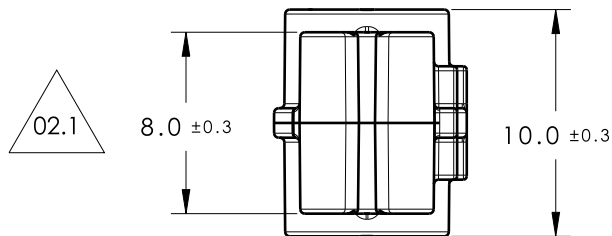


CATIA V5

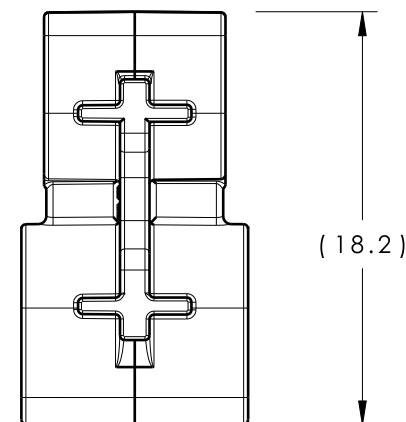
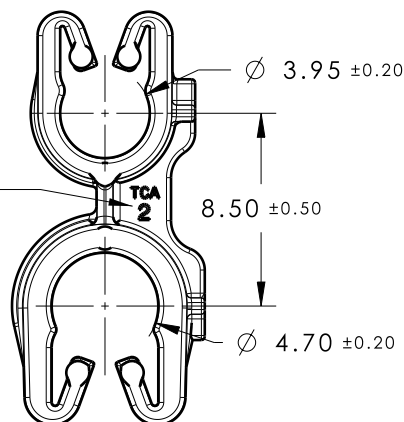


Revision Level			Revision Record	Changed	Date	Approved	Date
Drawing	State	Part					
02.1	Design Release		SEE ECN# 014069	TAT	09/20/17	EJH	09/20/17



ISOMETRIC VIEW

'TCA' AND CAVITY ID TO BE LOCATED ON THIS SURFACE



PERFORMANCE REQUIREMENTS:

1. CLIP PUSH ON FORCE: 45 NEWTONS (10 LBS) MAX USING NOMINAL PIN SIZE OF 3.95MM
2. CLIP PUSH ON FORCE: 45 NEWTONS (10 LBS) MAX USING NOMINAL PIN SIZE OF 4.7MM

NOTES:

1. MAXIMUM PERCENT REGRIND PERMISSIBLE: 25%
2. MAX ALLOWABLE FLASH OR MISMATCH TO BE 1MM

Material PA66HIRHS COLOR: BLACK	Units	millimeters	Drawn	TAT	02/03/17	Article/Type-No	PC4X1-5X1	Scale	3:1
	Tolerance defined on each dimension	The copyright of this drawing is reserved by HellermannTyton. It is issued on condition that it is not reproduced, copied or disclosed to a third party, either wholly or in part, without the consent of HellermannTyton.	Approved	KVH	02/03/17	Title	3.95MM CLIP WITH 4.7MM CLIP	Project Number	17-0122
						Drawing-No	PRODUCTION : Phase	Format	AH
						17-0122-001-CSU		Sheet	1/1

North America
Email: corp@htamericas.com
Web: www.hellermann.tyton.com