

## Specification Sheet

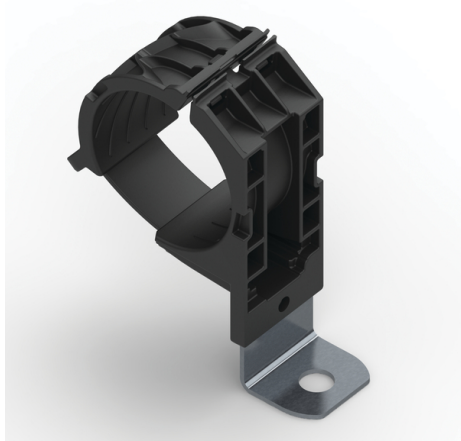
Part Number: 151-02877

One-piece ratchet closure design allows for easy installation during pre- or final assembly.

Easy release feature allows for quick adjustments and maintenance.

Steel mounting plate tolerates high torque mounting and is treated to resist chemicals and salt spray.

NFPA 130-compliant to streamline inspections.



Ratchet P-Clamp, 1.38 - 2.01" Bundle Dia, 90° Short, 0.33" Hole Dia, PA666V0/ST/ZN, Black, 160/ctn

Article Number 151-02877

Type RCD90SM8

Color Black (BK)

Quantity Per pack

**Product Description**

The Ratchet P-Clamp family offers versatility when managing wires, cables and hoses. The robust design and durable materials make it ideal for heavy duty applications, both indoors and out. The one-piece adjustable clamp can be closed by hand to the desired diameter. The release feature provides easy and nondestructive removal of cables simply by using a flat-head screwdriver. This nondestructive release allows the clamp to be reused without removing or replacing any bolts or screws.

Short Description	Ratchet P-Clamp, 1.38 - 2.01" Bundle Dia, 90° Short, 0.33" Hole Dia, PA666V0/ST/ZN, Black, 160/ctn
Global Part Name	RCD90SM8-PA666V0/ST/ZN-BK
Minimum Tensile Strength (Imperial)	100
Minimum Tensile Strength (Metric)	445
Length L (Imperial)	6.58
Length L (Metric)	167.2
Fixation Method	Screw Mounting
Variant	Short
Width W (Imperial)	1.37
Width W (Metric)	34.9
Bundle Diameter Min (Imperial)	1.42
Bundle Diameter Min (Metric)	36.0
Bundle Diameter Max (Imperial)	2.01
Bundle Diameter Max (Metric)	51.0
Mounting Hole Diameter D (Imperial)	0.33 "
Mounting Hole Diameter D (Metric)	8.4 mm

Stud Diameter (Metric)	M8
Mounting Hole Centers (Imperial)	2.62
Material	Zinc plated (ZN) Steel (ST) Polyamide 6.6/6, V0 (PA666V0)
Material Shortcut	ZN ST PA666V0
Flammability	UL 94 V-0
Halogen Free	Yes
UV Resistant (Yes/No)	Yes
Use Conditions	For Indoor and Outdoor Use
Operating Temperature	-40°F to +248°F (-40°C to +120°C)
Reach Compliant (Article 33)	Yes
ROHS Compliant	Yes
Certification/Specification	ASTM E 162 ASTM 1354 EN [45545-2] ASTM E 662
Package Quantity (Imperial)	160
Package Quantity (Metric)	160
Customs Number	3926909988

7930 N. Faulkner Road, Milwaukee, WI 53224

Phone: (800) 537-1512 | Email: [corp@htamericas.com](mailto:corp@htamericas.com)

© 2026 HellermannTyton. All Rights Reserved.

[Contact Us](#)   [RoHS/WEEE Compliance](#)   [Privacy Policy](#)   [Cookie Policy](#)   [Terms and Conditions](#)