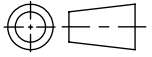
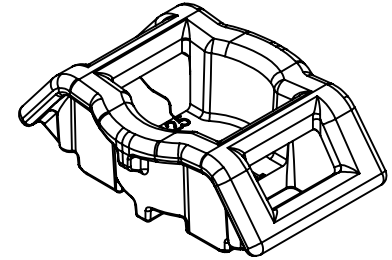
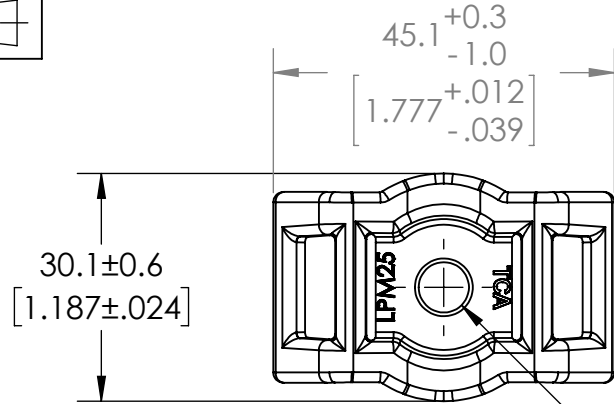


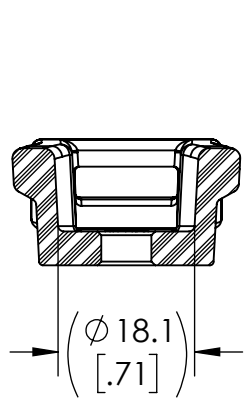
SW



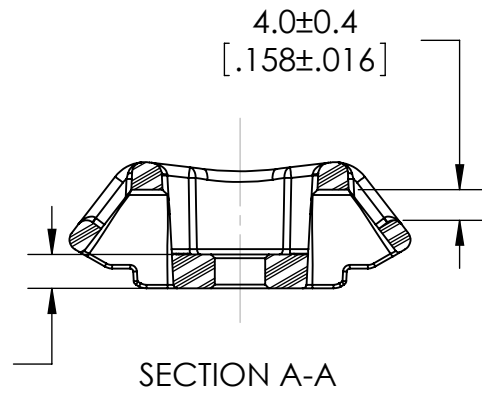
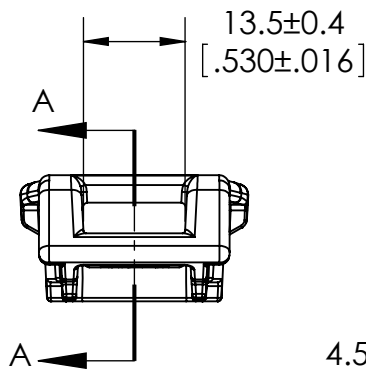
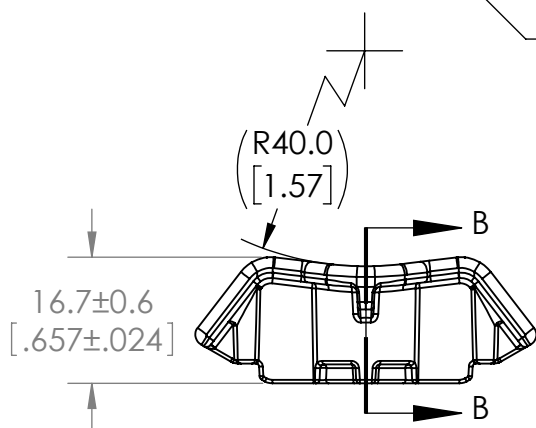
Revision level			Revision Record	Changed	Date	Approved	Date
Drawing	State	Part					
01.1	Design Release	A	SEE ECN# 015869	CTF	04/16/2020	MHT	04/16/2020



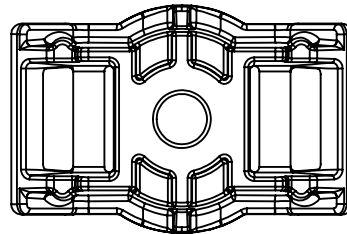
Ø6.65  
[.262]



SECTION B-B



SECTION A-A



**NOTES:**

1. MAXIMUM TORQUE NOT TO EXCEED; 11.3 Nm (100 in/lb)

Material  
PA666V0  
COLOR: BLACK



Units: **millimeters**  
Dimension without tolerances details to:  
.xxx = ±.013  
.xx = ±.13  
.x = ±.3  
None = ±.8  
∠ = ±0.5°  
Dimension Formatted mm/[in]

The copyright of this drawing is reserved by HellermannTyton. It is issued on condition that it is not reproduced, copied, or disclosed to a third party, either wholly or in part, without the consent of HellermannTyton.

Drawn	CTF	09/26/2019
Approved	MHT	09/26/2019

**HellermannTyton**  
North America  
Email: corp@htamericas.com  
Web: www.hellermann.tyton.com

Article/Type-No	LPM25
Title	<b>LOW PROFILE MOUNT FOR 6mm OR 0.25in HEX HEAD BOLT</b>
Drawing-No	12-0302-002-CSU
Production : Phase	

Scale	1:1
Project Number	PRP 12-0302
Format	AH
Sheet	1/1