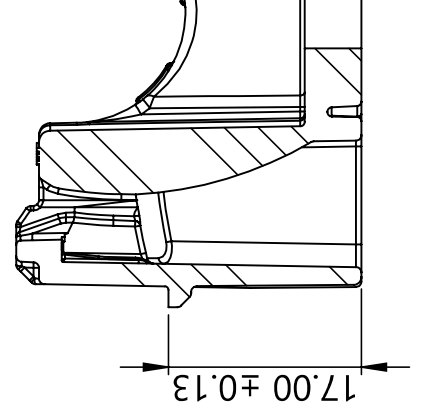
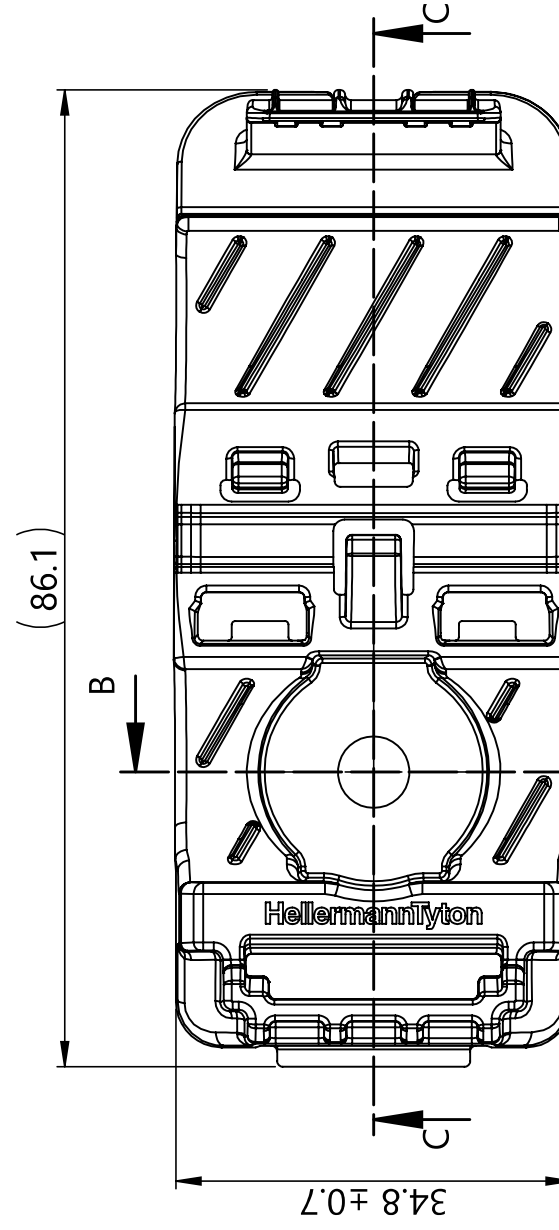


Isometric View
Product shipped in clamp open position



Section C

7
8
9
10
11
12

H

G

F

E

D

C

B

A