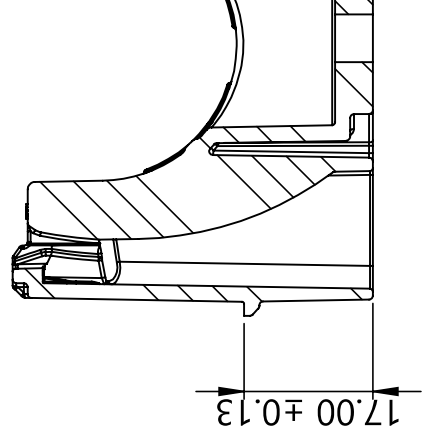
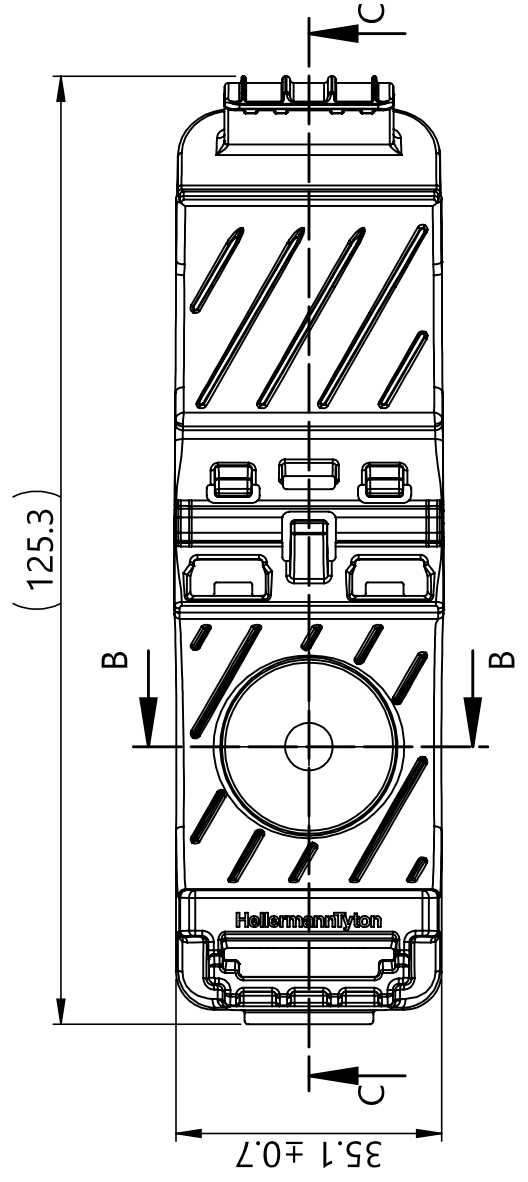


Isometric View  
Product shipped in clamp open position



Section C

7  
8  
9  
10  
11  
12

H

I

G

J

F

K

E

L